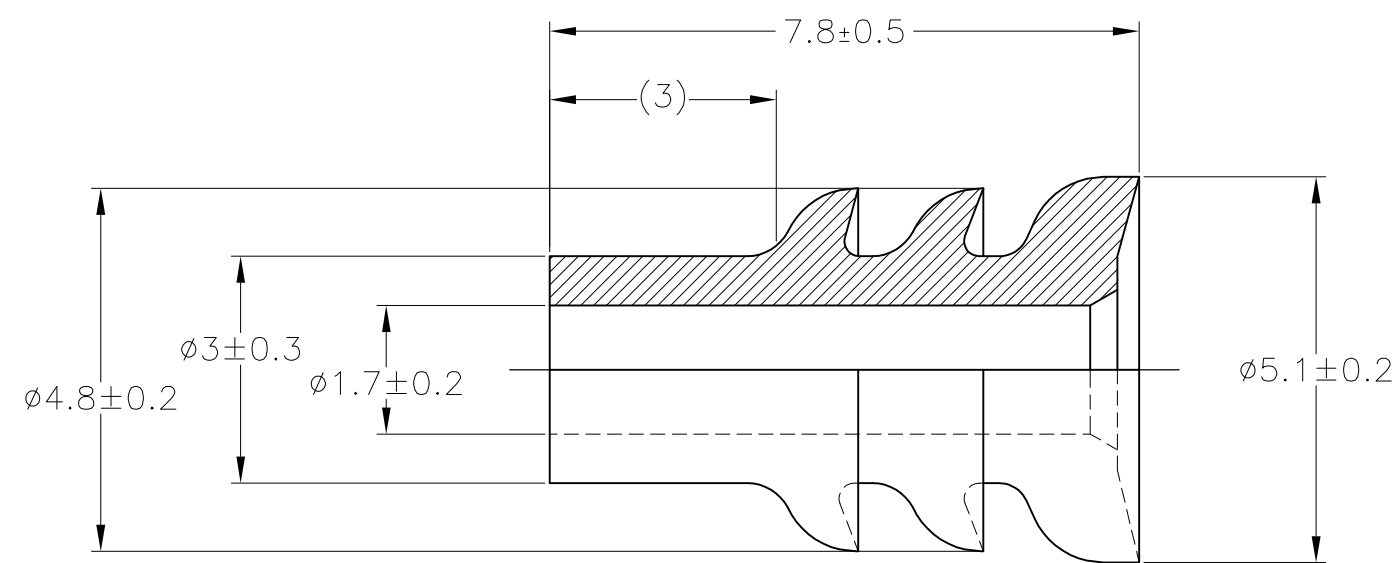

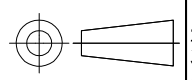


THIS DRAWING IS UNPUBLISHED. RELEASED FOR PUBLICATION JUN,2014 . - .  
 © COPYRIGHT 2014 By Tyco Electronics Japan G.K. ALL RIGHTS RESERVED.

LOC	DIST	REVISIONS 変更					
J		P	LTR	DESCRIPTION	DATE	DWN	APVD
			A	RELEASED	06AUG14	DM	TK



- ① オイル塗布タイプ
- ② 材料；NBR フタル酸フリー
- ① OIL COATED TYPE
- ② MATERIAL；NBR NON-BIS TYPE

WIRE RANGE 0.5~1.25mm <sup>2</sup> (AWG#20-#16)		INSULATION DIA. φ2~φ2.6mm		NBR ①②	黒色 (BLACK)	2822354-2		
				NBR ②	黒色 (BLACK)	2822354-1		
				MATERIAL	COLOR	PART NUMBER		
THIS DRAWING IS A CONTROLLED DOCUMENT.				 <b>TE Connectivity</b> 070 TYPE RUBBER PLUG				
DIMENSIONS: 単位： 耗 mm		TOLERANCES UNLESS OTHERWISE SPECIFIED: 一般公差					DWN D.MATSUURA 06AUG2014	
		0 PLC ± - 1 PLC ± - 2 PLC ± - 3 PLC ± - 4 PLC ± - ANGLES ± -					CHK S.IWATANI 06AUG2014	
							APVD T.KOHNO 06AUG2014	
MATERIAL 材料 SEE TABLE		FINISH 仕上 -		PRODUCT SPEC 製品規格 108-5262 108-5179		NAME 名称		
				APPLICATION SPEC 取付適用規格 -		SIZE		
				WEIGHT 0.1 g		CAGE CODE A300779		
				CUSTOMER DRAWING		DRAWING NO 番号 C-2822354		
				SCALE 尺度 10:1		RESTRICTED TO -		
				SHEET 1 OF 1		REV A		