

4

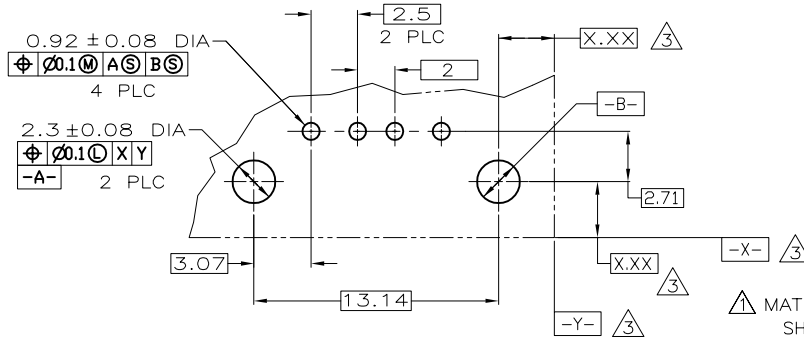
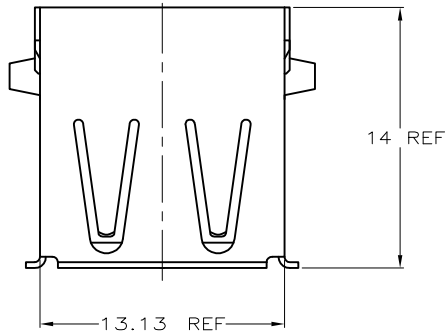
3

2

1

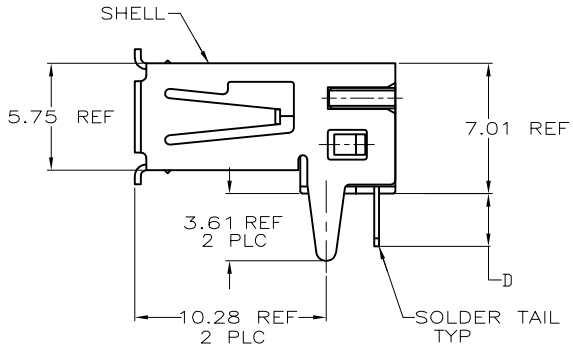
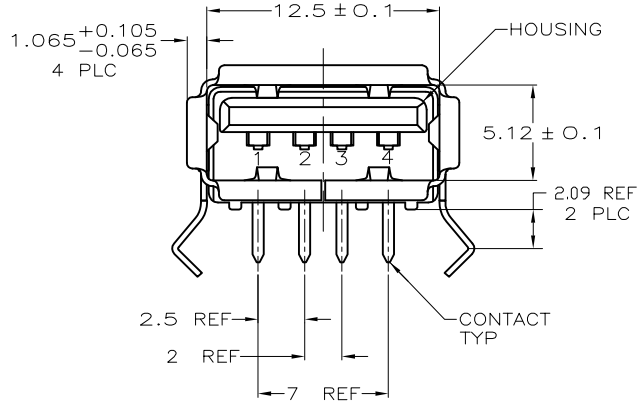
THIS DRAWING IS UNPUBLISHED. RELEASED FOR PUBLICATION - - -  
 © COPYRIGHT - By - ALL RIGHTS RESERVED.

REVISIONS						
LOC	DIST	REV	DESCRIPTION	DATE	BY	APPD
ES	00	E9	REVISED PER ECR-12-014684	16AUG2012	J.H	S.Y



PC BOARD MOUNTING DIMENSIONS  $\Delta_4$

- $\Delta$  MATERIAL:  
SHELL & CONTACTS- COPPER ALLOY.  
HOUSING: UL 94V-0 RATED, THERMOPLASTIC, COLOR SEE TABLE.
- $\Delta$  PLATING:  
CONTACTS: 0.076 $\mu$ m MINIMUM GOLD OVER 0.76 $\mu$ m MINIMUM PALLADIUM-NICKEL ON MATING AREA.  
3.8 $\mu$ m MINIMUM MATTE TIN ON SOLDER TAILS.  
BOTH OVER 1.27 $\mu$ m MINIMUM NICKEL.  
CONTACT ALTERNATE PLATING: 0.76 $\mu$ m MIN GOLD ON MATING AREA, 3.80 $\mu$ m MIN MATTE TIN ON SOLDER TAILS, BOTH OVER 1.27 $\mu$ m MIN NICKEL.  
SHELL: 2~5 $\mu$ m MINIMUM BRIGHT TIN
- $\Delta$  DATUM AND BASIC DIMENSIONS ESTABLISHED BY CUSTOMER.
- $\Delta$  RECOMMENDED PC BOARD THICKNESS OF 1.57.
- $\text{E9}$   $\Delta$  PLATING:  
CONTACTS: 0.76 $\mu$ m MINIMUM PALLADIUM-NICKEL ON MATING AREA.  
3.8 $\mu$ m MINIMUM MATTE TIN ON SOLDER TAILS.  
BOTH OVER 1.27 $\mu$ m MINIMUM NICKEL.  
SHELL: 2~5 $\mu$ m MINIMUM BRIGHT TIN



$\Delta$	YES	2.84	BLACK	2-292303-0 $\text{E9}$
$\Delta$	YES	2.29	BLACK	1-292303-9 $\text{E8}$
$\Delta$	NO	3.81	BLACK	1-292303-5
$\Delta$	NO	3.56	BLACK	1-292303-4
$\Delta$	NO	3.20	BLACK	1-292303-3
$\Delta$	YES	3.30	BLACK	1-292303-2
$\Delta$	YES	2.29	BLACK	292303-6
$\Delta$	YES	2.84	NATURAL	292303-5
$\Delta$	YES	2.84	BLACK	292303-4
$\Delta$	NO	2.84	NATURAL	292303-3
$\Delta$	NO	2.29	BLACK	292303-2
$\Delta$	NO	2.84	BLACK	292303-1
CONTACT PLATING	HIGH TEMPERATURE COMPATIBLE	D	HOUSING COLOR	PART NUMBER

THIS DRAWING IS A CONTROLLED DOCUMENT.

DIMENSIONS: mm	TOLERANCES UNLESS OTHERWISE SPECIFIED:	0 PLC ± -	1 PLC ± -	2 PLC ± 0.25	3 PLC ± -	4 PLC ± -	ANGLES ± -	FINISH SEE TABLE
----------------	--	-----------	-----------	--------------	-----------	-----------	------------	------------------

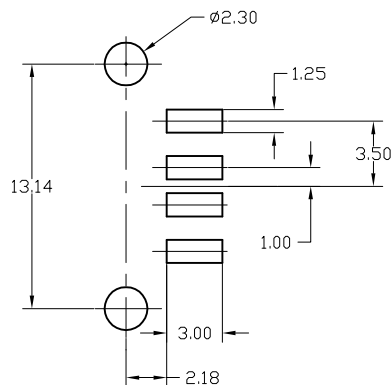
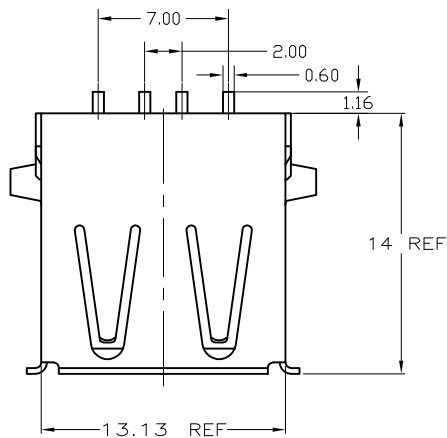
APPROVED: T. SASAKI	DATE: 19FEB04	NAME: T. SASAKI
PRODUCT SPEC: 108-60034	APPLICATION SPEC: -	WEIGHT: -
SIZE: A2	CAGE CODE: 00779	DRAWING NO: C-292303
CUSTOMER DRAWING	SCALE: 5:1	SHEET: 1 of 4

TE Connectivity  
 RECEPTACLE ASSEMBLY RIGHT  
 ANGLE, 4 POSITION, T/H & SMT  
 USB, LEAD FREE VERSION

292303

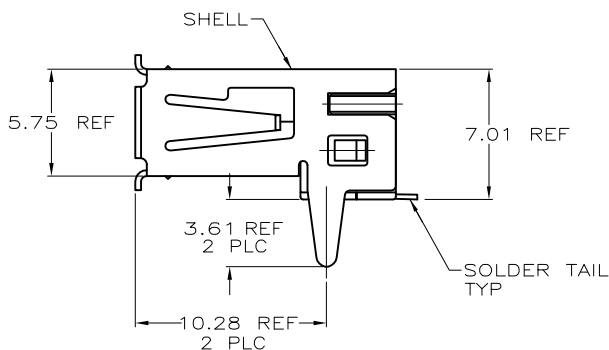
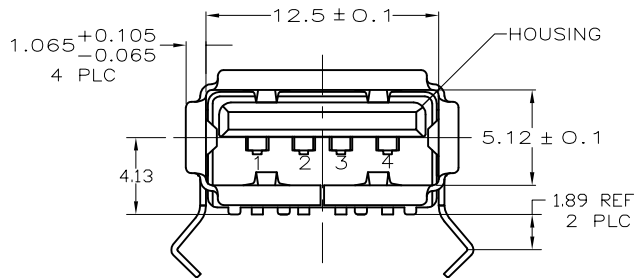
THIS DRAWING IS UNPUBLISHED. RELEASED FOR PUBLICATION  
 © COPYRIGHT - By - ALL RIGHTS RESERVED.

REVISIONS							
LOC	DIST	P	LTR	DESCRIPTION	DATE	DRN	APVD
ES	00	-	-	SEE SHEET 1	-	-	-



- ⚠ MATERIAL:  
SHELL & CONTACTS- COPPER ALLOY.  
HOUSING: UL 94V-0 RATED, THERMOPLASTIC, COLOR SEE TABLE.
- ⚠ PLATING:  
CONTACTS: 0.076  $\mu\text{m}$  MINIMUM GOLD OVER 0.76  $\mu\text{m}$  MINIMUM PALLADIUM-NICKEL ON MATING AREA.  
3.8  $\mu\text{m}$  MINIMUM MATTE TIN ON SOLDER TAILS.  
BOTH OVER 1.27  $\mu\text{m}$  MINIMUM NICKEL.  
CONTACT ALTERNATE PLATING: 0.76  $\mu\text{m}$  MIN GOLD ON MATING AREA, 3.80  $\mu\text{m}$  MIN MATTE TIN ON SOLDER TAILS, BOTH OVER 1.27  $\mu\text{m}$  MIN NICKEL.  
SHELL: 2~5  $\mu\text{m}$  MINIMUM BRIGHT TIN
- ⚠ RECOMMENDED PC BOARD THICKNESS OF 1.42.

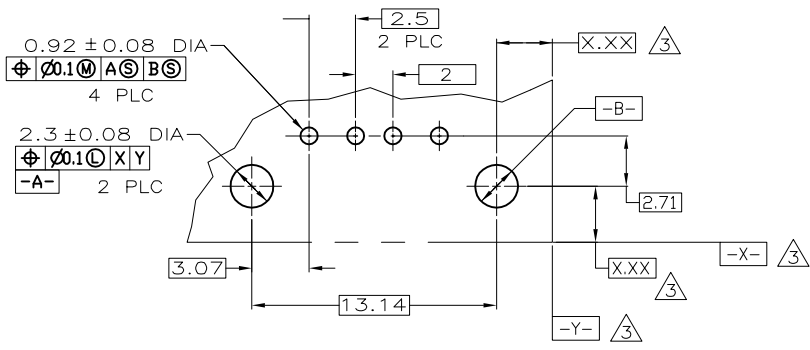
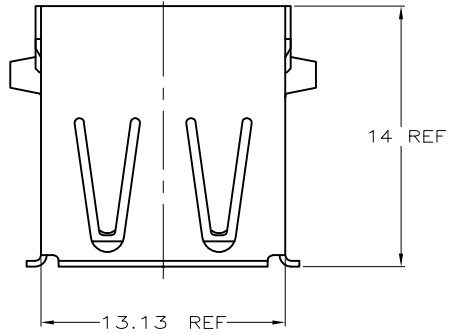
RECOMMENDED PC BOARD MOUNTING LAYOUT ⚠  
 (TOLERANCE= $\pm 0.05$ )



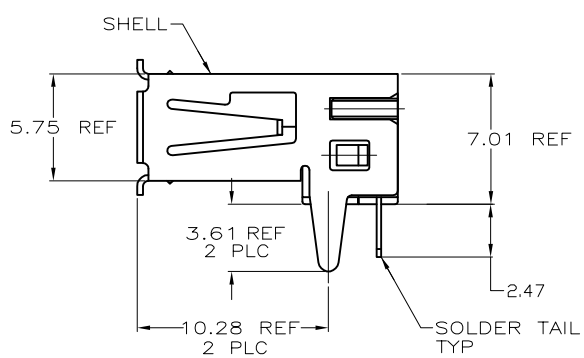
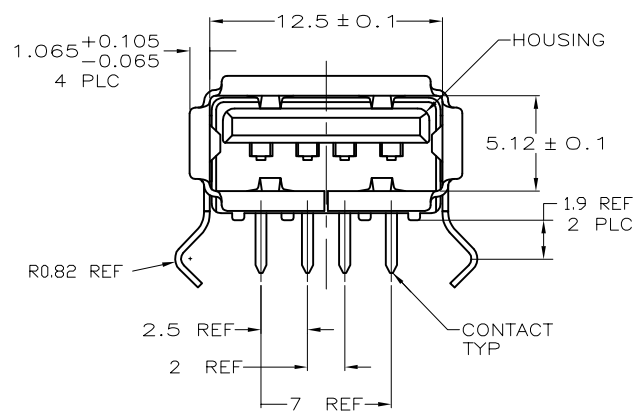
YES	BLACK	1-292303-1
YES	NATURAL	292303-7
HIGH TEMPERATURE COMPATIBLE	HOUSING COLOR	PART NUMBER

THIS DRAWING IS A CONTROLLED DOCUMENT.		DIN 19FEB04		<b>TE</b> TE Connectivity	
DIMENSIONS: mm		GJK 19FEB04			
TOLERANCES UNLESS OTHERWISE SPECIFIED:		APVD T.SASAKI 19FEB04		NAME	
0 PLC ± -		PRODUCT SPEC		RECEPTACLE ASSEMBLY RIGHT	
1 PLC ± -		108-60034		ANGLE, 4 POSITION, T/H & SMT	
2 PLC ± 0.25		APPLICATION SPEC		USB, LEAD FREE VERSION	
3 PLC ± -		SIZE		RESTRICTED TO	
4 PLC ± -		A2		-	
ANGLES		CAGE CODE		DRAWING NO	
FINISH		00779		292303	
MATERIAL		WEIGHT		SCALE	
1		-		5:1	
2		CUSTOMER DRAWING		SHEET 2 of 4	
				REV E9	

REVISIONS							
LOC	DIST	P	LTR	DESCRIPTION	DATE	DN	APVD
ES	00	-	-	SEE SHEET 1	-	-	-



PC BOARD MOUNTING DIMENSIONS ④



- ③ MATERIAL:  
 SHELL & CONTACTS- COPPER ALLOY.  
 HOUSING: UL 94V-0 RATED, THERMOPLASTIC, COLOR SEE TABLE.
- ③ PLATING:  
 CONTACTS: 0.076 μm MINIMUM GOLD OVER 0.76 μm MINIMUM PALLADIUM-NICKEL ON MATING AREA.  
 3.8 μm MINIMUM MATTE TIN ON SOLDER TAILS.  
 BOTH OVER 1.27 μm MINIMUM NICKEL.  
 CONTACT ALTERNATE PLATING: 0.76 μm MIN GOLD ON MATING AREA, 3.80 μm MIN MATTE TIN ON SOLDER TAILS, BOTH OVER 1.27 μm MIN NICKEL.  
 SHELL: 2~5 μm MINIMUM BRIGHT TIN
- ③ DATUM AND BASIC DIMENSIONS ESTABLISHED BY CUSTOMER.
- ③ RECOMMENDED PC BOARD THICKNESS OF 1.2.

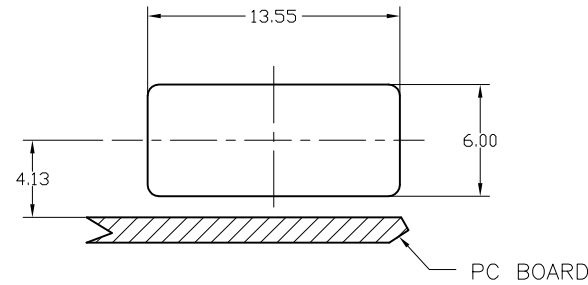
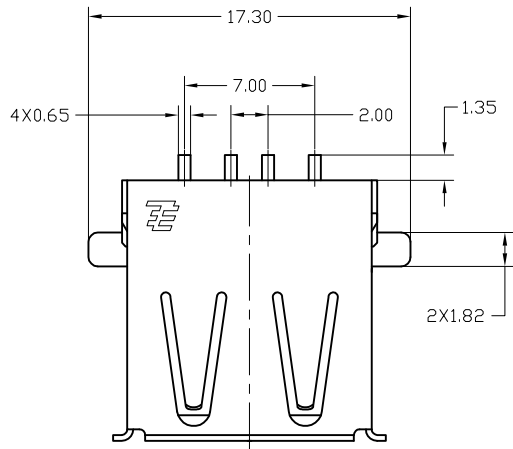
NO	NATURAL	292303-8
HIGH TEMPERATURE COMPATIBLE	HOUSING COLOR	PART NUMBER

THIS DRAWING IS A CONTROLLED DOCUMENT.		DIN 19FEB04			
DIMENSIONS: mm		19FEB04			
TOLERANCES UNLESS OTHERWISE SPECIFIED:		19FEB04		NAME	
0 PLC ± -		19FEB04		RECEPTACLE ASSEMBLY RIGHT	
1 PLC ± -		19FEB04		ANGLE, 4 POSITION, T/H & SMT	
2 PLC ± 0.25		19FEB04		USB, LEAD FREE VERSION	
3 PLC ± -		19FEB04		APPLICATION SPEC	
4 PLC ± -		19FEB04		RESTRICTED TO	
ANGLES ± -		19FEB04		SIZE	
FINISH		19FEB04		CAGE CODE	
MATERIAL		19FEB04		DRAWING NO	
③		19FEB04		00779	
③		19FEB04		C=292303	
③		19FEB04		SCALE	
③		19FEB04		5:1	
③		19FEB04		SHEET	
③		19FEB04		3 of 4	
③		19FEB04		REV	
③		19FEB04		E9	

292303

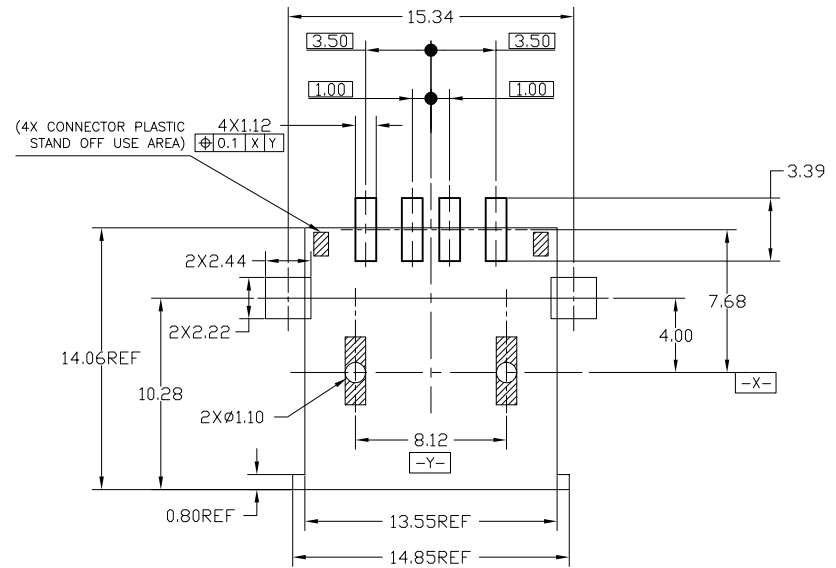
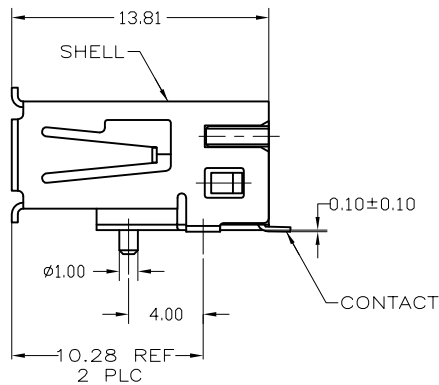
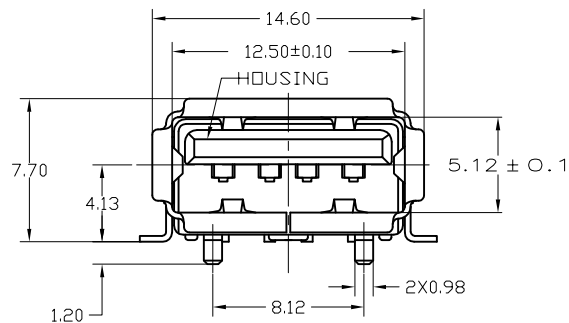
THIS DRAWING IS UNPUBLISHED. RELEASED FOR PUBLICATION  
 © COPYRIGHT - By - ALL RIGHTS RESERVED.

REVISIONS							
LOC	DIST	P	LTR	DESCRIPTION	DATE	DRN	APVD
ES	00	-	-	SEE SHEET 1	-	-	-



RECOMMENDED MOUNTING PANEL CUTOUT

- ⚠ MATERIAL:  
SHELL & CONTACTS- COPPER ALLOY.  
HOUSING: UL 94V-0 RATED, THERMOPLASTIC, COLOR SEE TABLE.
- ⚠ PLATING:  
CONTACTS: 0.076 μm MINIMUM GOLD OVER 0.76 μm MINIMUM PALLADIUM-NICKEL ON MATING AREA.  
3.8 μm MINIMUM MATTE TIN ON SOLDER TAILS.  
BOTH OVER 1.27 μm MINIMUM NICKEL.  
CONTACT ALTERNATE PLATING: 0.76 μm MIN GOLD ON MATING AREA, 3.80 μm MIN MATTE TIN ON SOLDER TAILS, BOTH OVER 1.27 μm MIN NICKEL.  
SHELL: 2~5 μm MINIMUM BRIGHT TIN
- ⚠ PANEL IS NEEDED FOR CUSTOMER.
- ⚠ THIS P/N IS PRELIMINARY.



RECOMMENDED PC BOARD MOUNTING LAYOUT (TOLERANCE=±0.05)

YES	BLACK	1-292303-6
YES	NATURAL	292303-9
HIGH TEMPERATURE COMPATIBLE	HOUSING COLOR	PART NUMBER

THIS DRAWING IS A CONTROLLED DOCUMENT.		DRN LIUJIANG 19FEB04	TE Connectivity
DIMENSIONS: mm		CHK S.YAO 19FEB04	
TOLERANCES UNLESS OTHERWISE SPECIFIED:		APVD T.SASAKI 19FEB04	NAME
0 PLC ± -		PRODUCT SPEC	RECEPTACLE ASSEMBLY RIGHT
1 PLC ± 0.25		APPLICATION SPEC	ANGLE, 4 POSITION, T/H & SMT
2 PLC ± -		WEIGHT	USB, LEAD FREE VERSION
3 PLC ± -		CUSTOMER DRAWING	RESTRICTED TO
4 PLC ± -		SCALE 5:1	SHEET 4 of 4
ANGLES		REV E9	