
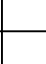
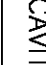
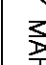
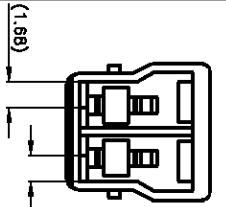
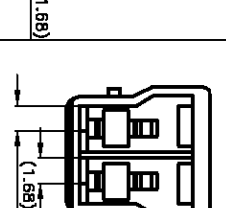
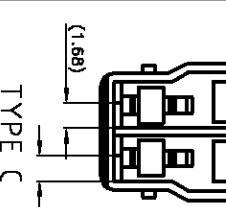
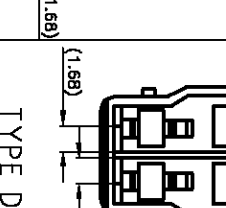
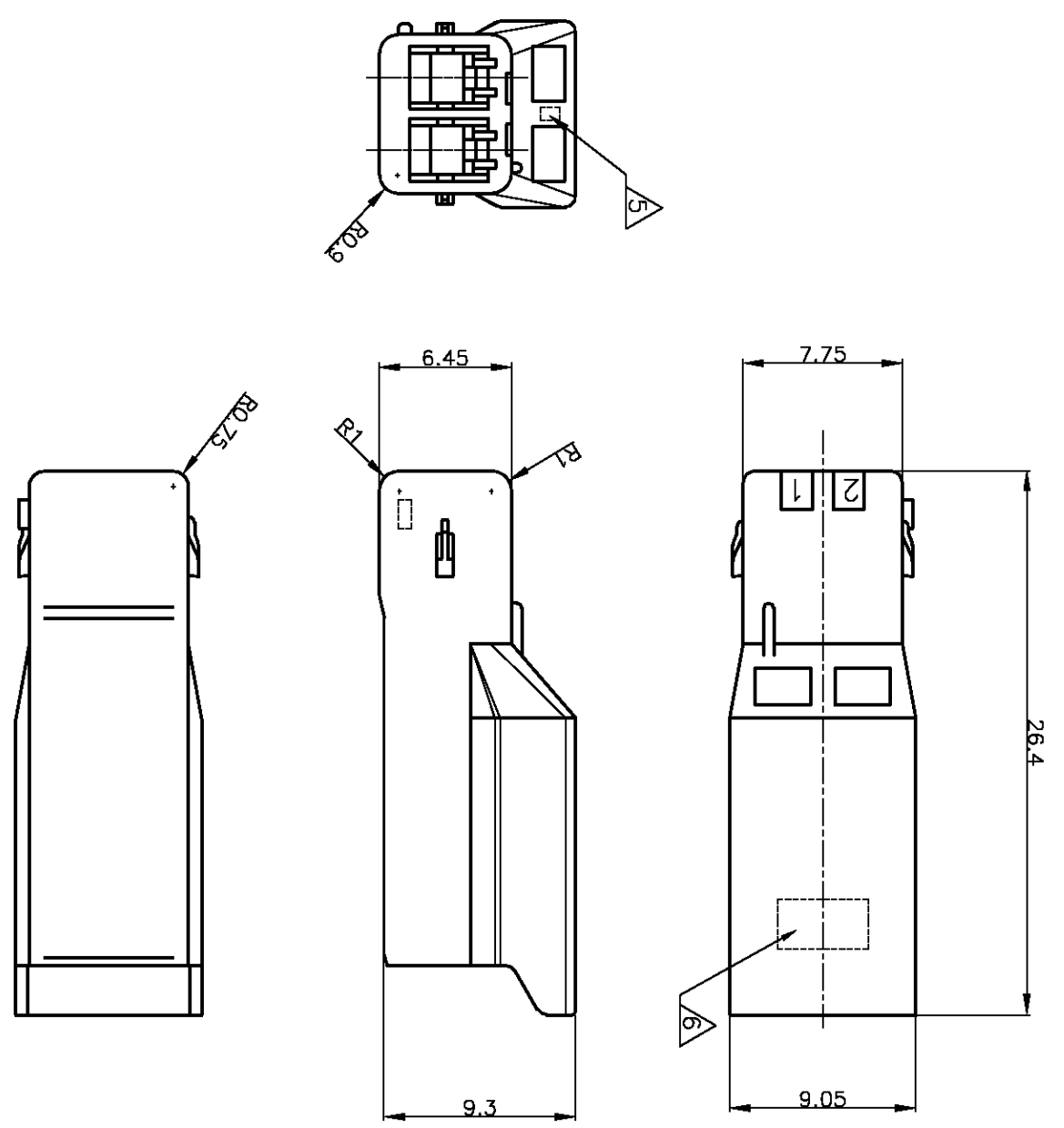


| REV | DATE | DESCRIPTION | BY | CHK |
|-----|----------|-----------------------|-----|-----|
| 1 | 04JUN'07 | | J.S | S.M |
| 2 | | REVISED ECR-07-013107 | C | |

| | | |
|---|-------------------------------|---------------------------|
|   | 生産場所 (MANUFACTURING LOCATION) | |
| | 韓国 (KOREA) | 中国 (CHINA) |
|  | CAVITY MARK | TRADE MARK CAVITY MARK+ ● |
|  | TRADE MARK | |

KEYING TYPE

| | |
|---|---|
|  TYPE A |  TYPE B |
|  TYPE C |  TYPE D |



断面 A-A

| 1565081-6 | A | BLACK | 1565085-6 |
|-------------|---|---------|-------------|
| 1565081-5 | A | GREEN | 1565085-5 |
| 3-1565081-4 | D | YELLOW | 3-1565085-4 |
| 2-1565081-3 | C | BLUE | 2-1565085-3 |
| 1-1565081-2 | B | RED | 1-1565085-2 |
| 1565081-1 | A | NATURAL | 1565085-1 |

注) 1. 一般公差: ±0.25

△材料: 66ナイロン ガラス無 (UL94V-0)
 △かん合相手製品型番
 プラゴハワジンゴ: TABLE参照のこと
 タゴコンタクト: 1565080-1, 1612335-1
 4. 適応プレート型番: 1565089-1

△表1参照
 △表1参照
 △表1参照

THIS DRAWING IS A CONTROLLED DOCUMENT.

| | |
|----------------------|---|
| DIMENSIONS: 単位: ㎜ | TOLERANCES UNLESS OTHERWISE SPECIFIED: |
| 0 PLC ± | ± |
| 1 PLC ± | ± |
| 2 PLC ± | ± |
| 3 PLC ± | ± |
| 4 PLC ± | ± |
| ANGLES | ± |
| FINISH | 仕上 |

| | |
|---------------------------------------|--|
| DMN A.OISHI 30 MAY '02 | NAME Grace Inertia Connector 3.5 2 POS CAP HOUSING |
| CHK M.SHINDO 30 MAY '02 | SIZE A3 |
| APVD M.SHINDO 30 MAY '02 | CAGE CODE 00779 |
| PRODUCT SPEC 製品規格 108-5810 | DRAWING NO 1565085 |
| APPLICATION SPEC 取付適用規格 14-5306 | SCALE 尺数 |
| WEIGHT — | SHEET 1 OF 1 |
| CUSTOMER DRAWING | REV C |