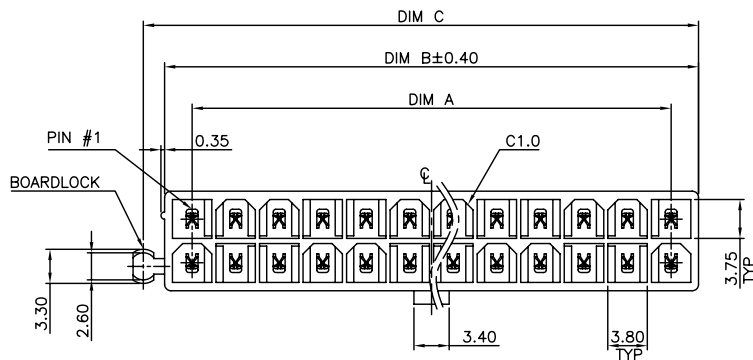


THIS DRAWING IS UNPUBLISHED. RELEASED FOR PUBLICATION AUG, 2006.

© COPYRIGHT BY TYCO ELECTRONICS CORPORATION. ALL RIGHTS RESERVED.

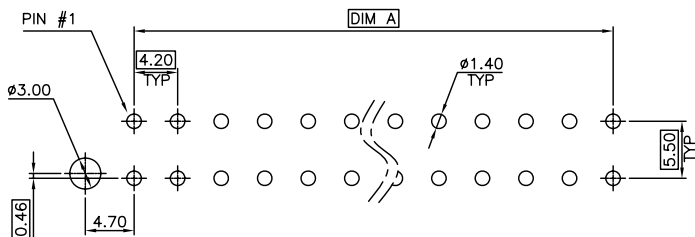
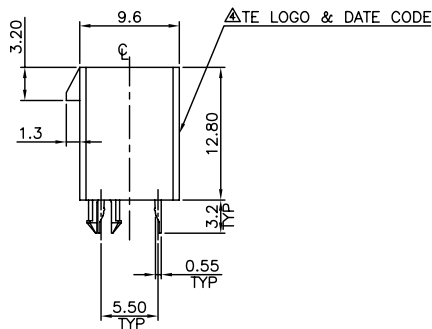
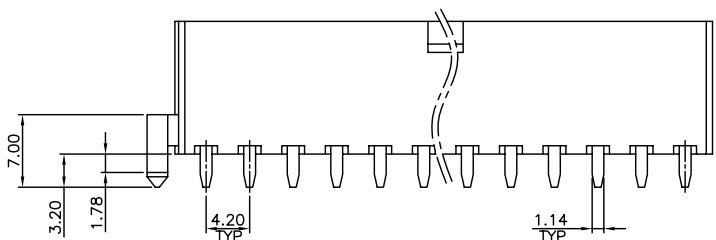
LOC	DIST	REVISIONS			
P	LTR	DESCRIPTION	DATE	DWN	APVD
DW	-	C	REVISED (ECR-09-016746)	15JUL09	BH WK



NOTE:

- MATERIAL:
HOUSING: PA6T OR PA66 OR PA9T, UL 94V-0, COLOR: (SEE TABLE).
CONTACTS: BRASS.
 - FINISH:
CONTACTS: 3.05um [120u"] MIN. BRIGHT-TIN
1.27um [50u"] MIN. NICKEL UNDERPLATED ALL OVER.
 - WAVE SOLDER CAPABLE TO 265°C PER TEST SPEC.
109-202, CONDITION B.
- ⚠ NO TE LOGO AND DATE CODE ON THE PRODUCT WITH 4 POS.

ONE BOARDLOCK (LEFT)



RECOMMENDED PCB LAYOUT
TOLERANCE: ±0.05 T=1.6mm

	5.40	46.2	51.5	53.6	24	1-1775099-3
IVORY PA6T	1.13	4.2	9.5	11.6	4	1-1775099-2
	4.30	37.8	43.1	45.2	20	1-1775099-1
	3.90	33.6	38.9	41.0	18	1-1775099-0
	3.11	25.2	30.5	32.6	14	1775099-9
	2.71	21.0	26.3	28.4	12	1775099-8
	2.31	16.8	22.1	24.2	10	1775099-7
IVORY PA66	1.52	8.4	13.7	15.8	6	1775099-6
	1.92	12.6	17.9	20.0	8	1775099-5
TRANSPARENCY PA66	5.40	46.2	51.5	53.6	24	1775099-2
	1.13	4.2	9.5	11.6	4	1775099-3
HSG COLOR & MATERIAL	5.40	46.2	51.5	53.6	24	1775099-2
	1.13	4.2	9.5	11.6	4	1775099-1
	WEIGHT	DIM A	DIM B	DIM C	POS.	PART NUMBER

THIS DRAWING IS A CONTROLLED DOCUMENT.		DWN B. HSING	15JUL2009	Tyco Electronics Corporation Tyco Electronics Corporation Taipei, Taiwan													
DIMENSIONS: MM		CHK S. CHIEN	15JUL2009	NAME													
TOLERANCES UNLESS OTHERWISE SPECIFIED:		APVD W. KODAMA	15JUL2009	PRODUCT SPEC													
<table border="0"> <tr><td>0 PLC</td><td>± -</td></tr> <tr><td>1 PLC</td><td>± 0.30</td></tr> <tr><td>2 PLC</td><td>± 0.20</td></tr> <tr><td>3 PLC</td><td>± 0.15</td></tr> <tr><td>4 PLC</td><td>± -</td></tr> <tr><td>ANGLES</td><td>± 3°</td></tr> </table>		0 PLC	± -	1 PLC	± 0.30	2 PLC	± 0.20	3 PLC	± 0.15	4 PLC	± -	ANGLES	± 3°	APPLICATION SPEC		ATX POWER CONNECTOR VERTICAL, DIP TYPE	
0 PLC	± -																
1 PLC	± 0.30																
2 PLC	± 0.20																
3 PLC	± 0.15																
4 PLC	± -																
ANGLES	± 3°																
MATERIAL SEE NOTE		FINISH SEE NOTE		108-57560	RESTRICTED TO												
		WEIGHT SEE TABLE		501-57652	SIZE CAGE CODE DRAWING NO												
		CUSTOMER DRAWING		A3 00779	SCALE SHEET 1 OF 5 REV C												

THIS DRAWING IS UNPUBLISHED.

RELEASED FOR PUBLICATION

AUG ,2006.

© COPYRIGHT BY TYCO ELECTRONICS CORPORATION.

ALL RIGHTS RESERVED.

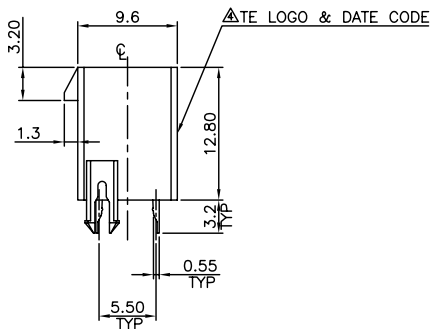
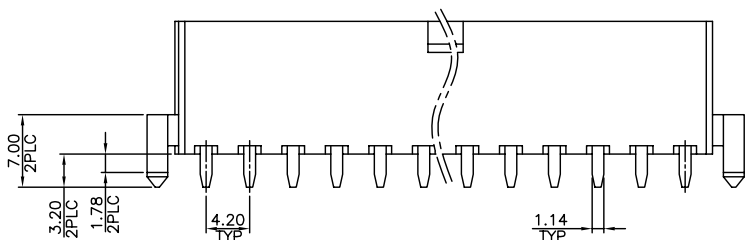
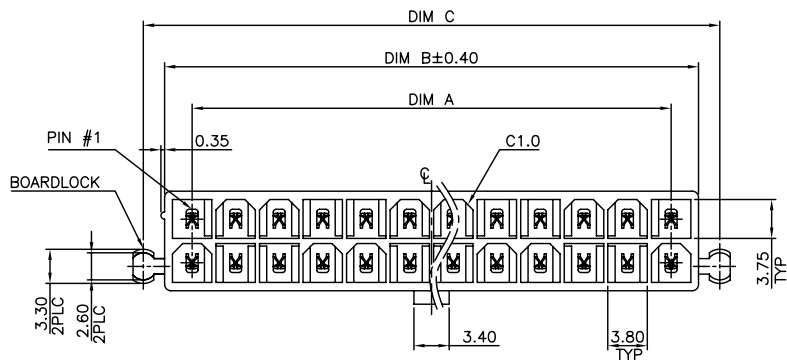
LOC DW

DIST -

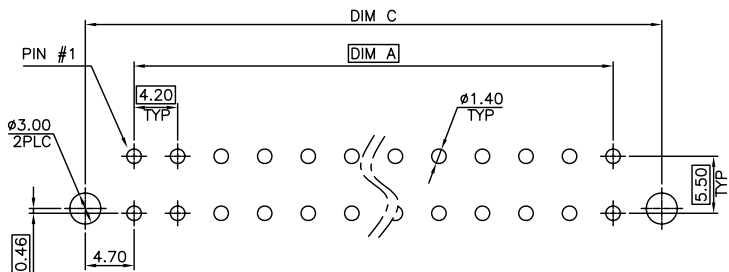
REVISIONS

P	LTR	DESCRIPTION	DATE	DWN	APVD
		SEE SHEET 1.			

NOTE:
(SEE SHEET 1)



TWO BOARDLOCK



RECOMMENDED PCB LAYOUT
TOLERANCE: ±0.05 T=1.6mm

IVORY PART	5.43	46.2	51.5	55.6	24	2-1775099-8
	4.33	37.8	43.1	47.2	20	2-1775099-7
3.93	33.6	38.9	43.0	18	2-1775099-6	
3.14	25.2	30.5	34.6	14	2-1775099-5	
2.74	21.0	26.3	30.4	12	2-1775099-4	
2.34	16.8	22.1	26.2	10	2-1775099-3	
1.95	12.6	17.9	22.0	8	2-1775099-2	
1.55	8.4	13.7	17.8	6	2-1775099-1	
1.16	4.2	9.5	13.6	4	2-1775099-0	
HSG COLOR & MATERIAL	WEIGHT	DIM A	DIM B	DIM C	POS.	PART NUMBER

THIS DRAWING IS A CONTROLLED DOCUMENT.

DWN -
CHK -
APVD -

PRODUCT SPEC
APPLICATION SPEC

WEIGHT SEE TABLE

CUSTOMER DRAWING

Tyco Electronics Corporation
Taipei, Taiwan

ATX POWER CONNECTOR
VERTICAL, DIP TYPE

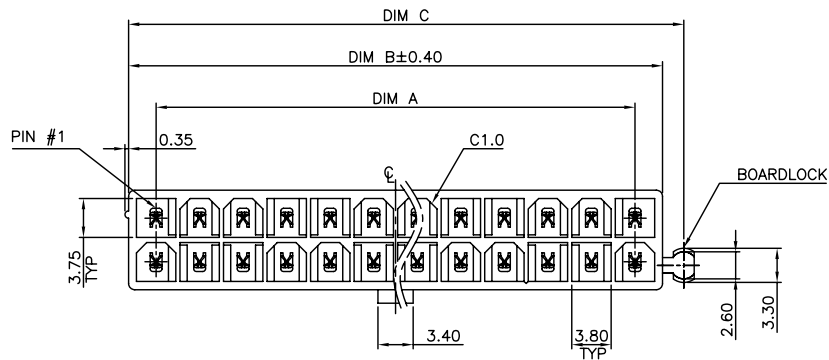
SIZE A3 CAGE CODE 00779 C=1775099 DRAWING NO

RESTRICTED TO

SCALE - SHEET 2 OF 5 REV C

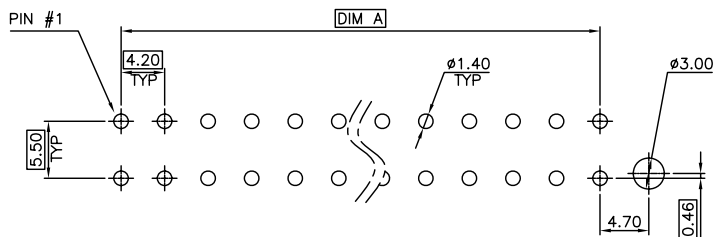
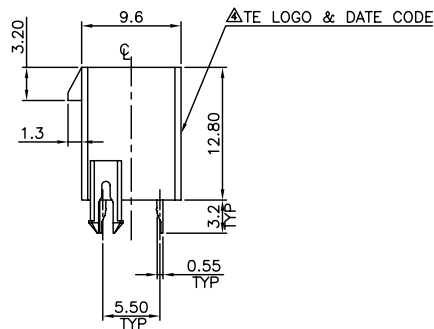
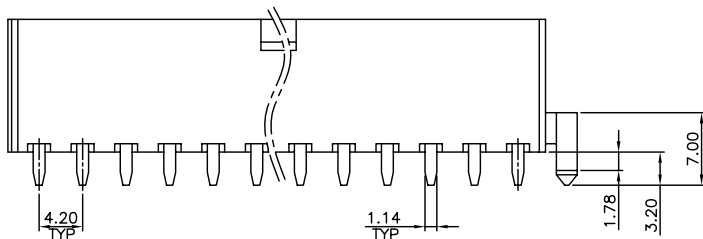
THIS DRAWING IS UNPUBLISHED. RELEASED FOR PUBLICATION AUG, 2006.
 © COPYRIGHT BY TYCO ELECTRONICS CORPORATION. ALL RIGHTS RESERVED.

LOC	DIST	REVISIONS			
P	LTR	DESCRIPTION	DATE	DWN	APVD
DW	-	SEE SHEET 1.			



NOTE:
(SEE SHEET 1)

ONE BOARDLOCK
(RIGHT)



RECOMMENDED PCB LAYOUT
TOLERANCE: ±0.05 T=1.6mm

HSG COLOR & MATERIAL	WEIGHT	DIM A	DIM B	DIM C	POS.	PART NUMBER
	IVORY PAST	5.40	46.2	51.5	53.6	24
	4.30	37.8	43.1	45.2	20	3-1775099-7
	3.90	33.6	38.9	41.0	18	3-1775099-6
	3.11	25.2	30.5	32.6	14	3-1775099-5
	2.71	21.0	26.3	28.4	12	3-1775099-4
	2.31	16.8	22.1	24.2	10	3-1775099-3
	1.92	12.6	17.9	20.0	8	3-1775099-2
	1.52	8.4	13.7	15.8	6	3-1775099-1
	1.13	4.2	9.5	11.6	4	3-1775099-0

THIS DRAWING IS A CONTROLLED DOCUMENT.

DWN	-	Tyco Electronics Corporation Taipei, Taiwan			
CHK	-				
APVD	-				
PRODUCT SPEC	-				
APPLICATION SPEC	-	NAME			
WEIGHT	SEE TABLE	SIZE	CAGE CODE	DRAWING NO	RESTRICTED TO
CUSTOMER DRAWING		A3	00779	G=1775099	-

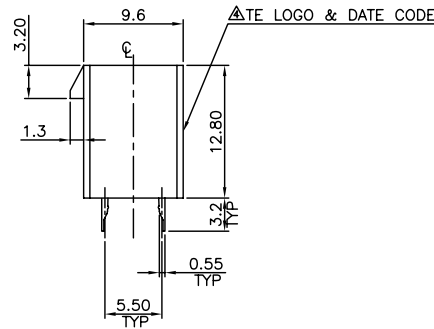
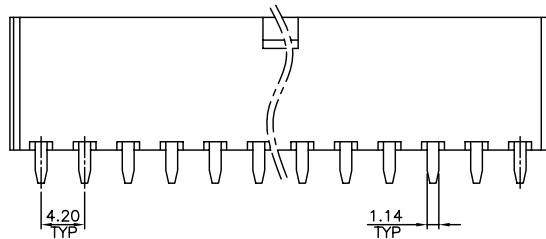
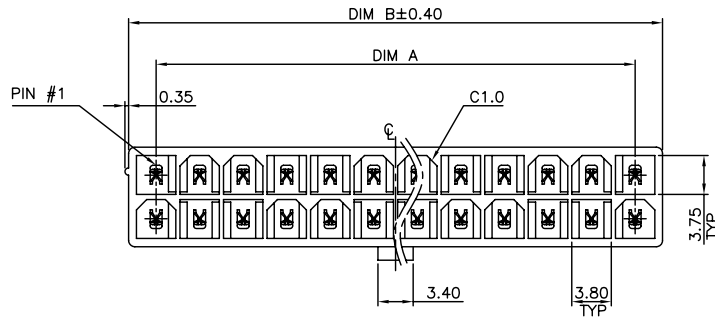
ATX POWER CONNECTOR
VERTICAL, DIP TYPE

SCALE — SHEET 3 OF 5 REV C

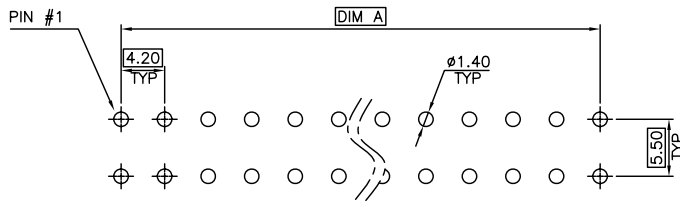
THIS DRAWING IS UNPUBLISHED. RELEASED FOR PUBLICATION AUG, 2006.
 © COPYRIGHT BY TYCO ELECTRONICS CORPORATION. ALL RIGHTS RESERVED.

LOC	DIST	REVISIONS			
P	LTR	DESCRIPTION	DATE	DWN	APVD
DW	-	SEE SHEET 1.			

NOTE:
(SEE SHEET 1)



NO BOARDLOCK



RECOMMENDED PCB LAYOUT
TOLERANCE: ±0.05 T=1.6mm

IVORY PA8T	2.28	16.8	22.1	10	5-1775099-3
IVORY PA8T	1.49	8.4	13.7	6	5-1775099-1
	5.37	46.2	51.5	24	4-1775099-8
	4.27	37.8	43.1	20	4-1775099-7
	3.87	33.6	38.9	18	4-1775099-6
	3.08	25.2	30.5	14	4-1775099-5
	2.68	21.0	26.3	12	4-1775099-4
	2.28	16.8	22.1	10	4-1775099-3
	1.89	12.6	17.9	8	4-1775099-2
	1.49	8.4	13.7	6	4-1775099-1
	1.10	4.2	9.5	4	4-1775099-0
HSG COLOR & MATERIAL	WEIGHT	DIM A	DIM B	POS.	PART NUMBER

THIS DRAWING IS A CONTROLLED DOCUMENT.

DWN: —
CHK: —
APVD: —

PRODUCT SPEC: —
APPLICATION SPEC: —

Tyco Electronics
Tyco Electronics Corporation
Taipei, Taiwan

ATX POWER CONNECTOR
VERTICAL, DIP TYPE

SIZE: A3 CAGE CODE: 00779 DRAWING NO: C=1775099 RESTRICTED TO: —

WEIGHT: SEE TABLE

MATERIAL: SEE NOTE FINISH: SEE NOTE

CUSTOMER DRAWING SCALE: — SHEET: 4 OF 5 REV: C

4

3

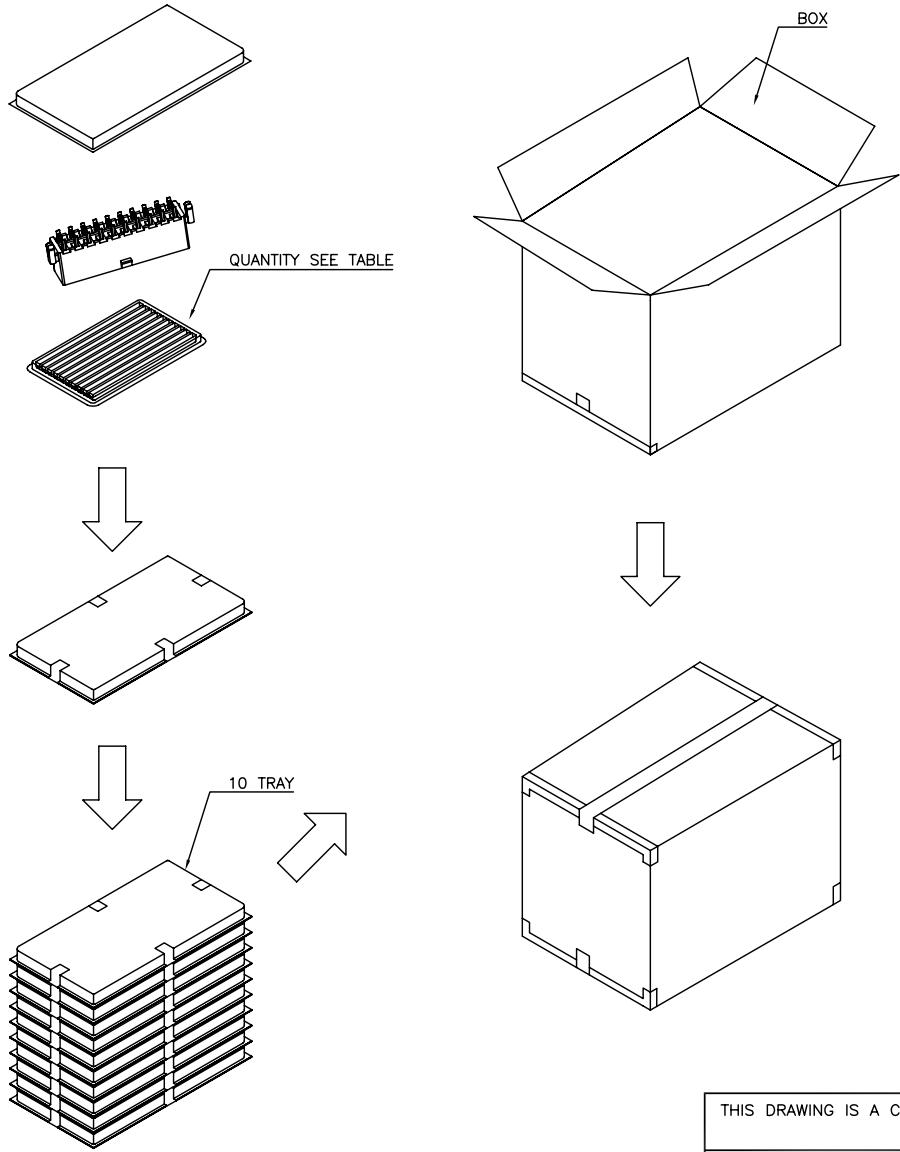
2

1

THIS DRAWING IS UNPUBLISHED. RELEASED FOR PUBLICATION AUG, 2006.
 © COPYRIGHT BY TYCO ELECTRONICS CORPORATION. ALL RIGHTS RESERVED.

LOC	DIST	REVISIONS			
P	LTR	DESCRIPTION	DATE	DWN	APVD
		SEE SHEET 1.			

NOTES:
 1. TRAY : PVC, SIZE: 330mm(L)X 265mm(W)X 22mm(H).
 2. BOX : CORRUGATED, SIZE: 350mm(L)X 279mm(W)X 195mm(H).
 3. QUANTITY: SEE TABLE.



5.94	4.34	80	10	800	24	2
5.93	4.33	100	10	1000	20	
5.53	3.93	100	10	1000	18	
6.00	4.40	140	10	1400	14	
5.98	4.38	160	10	1600	12	
5.81	4.21	180	10	1800	10	
5.89	4.29	220	10	2200	8	
5.94	4.34	280	10	2800	6	
5.78	4.18	360	10	3600	4	
5.92	4.32	80	10	800	24	
5.90	4.30	100	10	1000	20	
6.28	4.68	120	10	1200	18	
5.95	4.35	140	10	1400	14	
5.94	4.34	160	10	1600	12	
6.22	4.62	200	10	2000	10	
6.21	4.61	240	10	2400	8	
6.16	4.56	300	10	3000	6	
6.35	4.75	420	10	4200	4	
5.90	4.30	80	10	800	24	
5.87	4.27	100	10	1000	20	
6.24	4.64	120	10	1200	18	
5.91	4.31	140	10	1400	14	
6.42	4.82	180	10	1800	12	
6.16	4.56	200	10	2000	10	
6.51	4.91	260	10	2600	8	
6.67	5.07	340	10	3400	6	
6.88	5.28	480	10	4800	4	
GROSS WEIGHT	NET WEIGHT	PCS /TRAY	TRAYS /BOX	PCS /BOX	POS.	NO. OF BOARDLOCK

THIS DRAWING IS A CONTROLLED DOCUMENT.

Tyco Electronics Tyco Electronics Corporation
Taimei, Taiwan

NAME: ATX POWER CONNECTOR VERTICAL, DIP TYPE

SIZE: A3 CAGE CODE: 00779 C=1775099 DRAWING NO: RESTRICTED TO

CUSTOMER DRAWING SCALE: SHEET 5 OF 5 REV C

DIMENSIONS: MM	TOLERANCES UNLESS OTHERWISE SPECIFIED:	0 PLC ± -	1 PLC ± -	2 PLC ± -	3 PLC ± -	4 PLC ± -	ANGLES ± -	FINISH
----------------	--	-----------	-----------	-----------	-----------	-----------	------------	--------