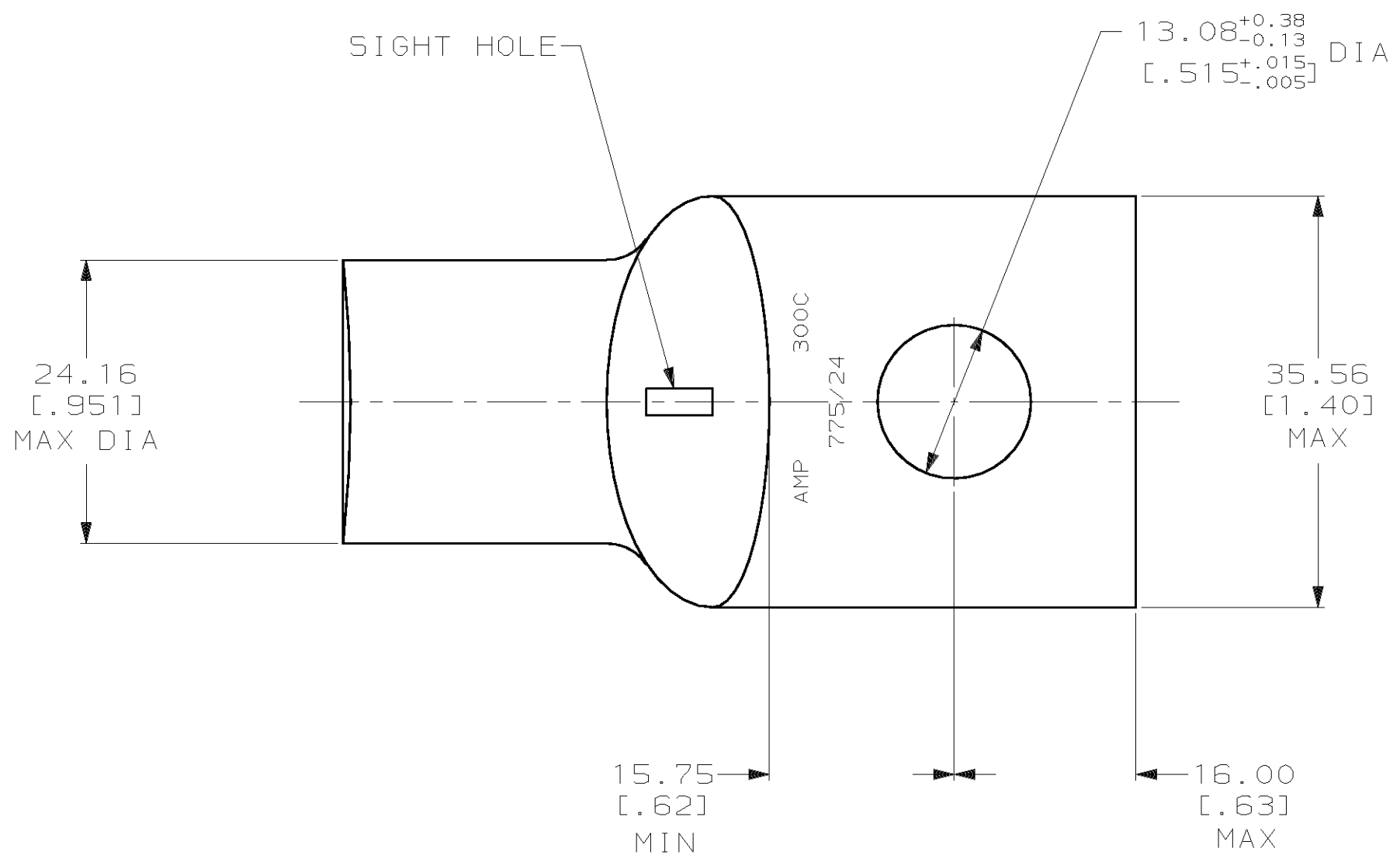
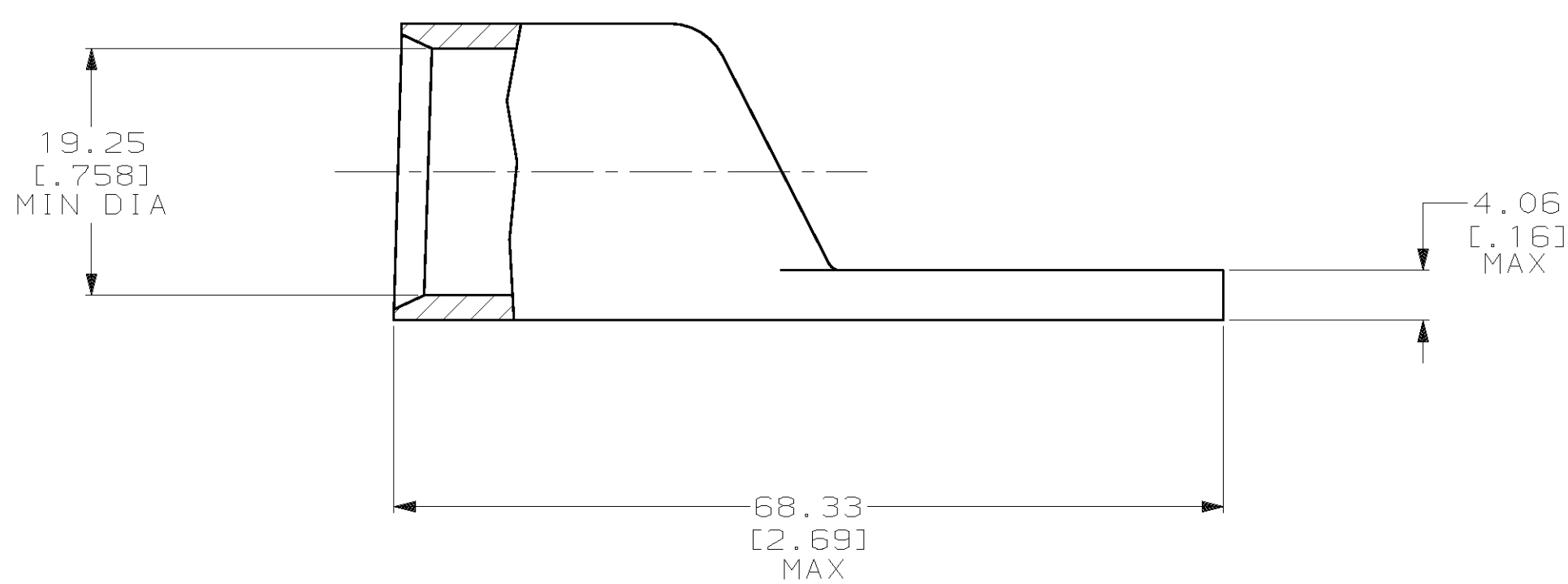


THIS DRAWING IS UNPUBLISHED. RELEASED FOR PUBLICATION ,19 .
 © COPYRIGHT 19 BY AMP INCORPORATED. ALL INTERNATIONAL RIGHTS RESERVED.

LOC		DIST		P		F		ZONE		LTR		REVISIONS		DATE	APPD
G	86												DESCRIPTION	080CT02	JR/MS
												Y	REV PER 0G3A-0561-01		



- 1 CIRCULAR MIL AREA RANGE: 275-325 MCM
- 2 TIN PL 0.00381 [.000150] MIN THK PER ASTM B-545
- 3 NO SIGHT HOLE



3	325805-1
	325805
	PART NO

DO NOT SCALE PRINT. UNLESS SPECIFIED DIMENSIONS IN mm [INCHES] TOLERANCES ON : 2 PLC DEC ± 0.51 [.020] 3 PLC DEC ± - ANGLES ± -		DR 02/28/90 DK SCHRUM		AMP INCORPORATED Harrisburg, Pa. 17105	
MATERIAL ANNEALED COPPER ASTM B-75		CHK 23JAN95 MS FEHER			
FINISH		APPD 23JAN95 WJ VOCKROTH		NAME TERMINAL, AMPPOWER™ WIRE SIZE: 300 MCM	
3		APPD 23JAN95 TL SHUTTER		DRAWING NO 325805	
APPLICATION SPEC		PRODUCT SPEC 108-30200		CAGE CODE 00779	
-		WEIGHT .154 LB		SCALE 2:1	
				SHEET 1 OF 1	

