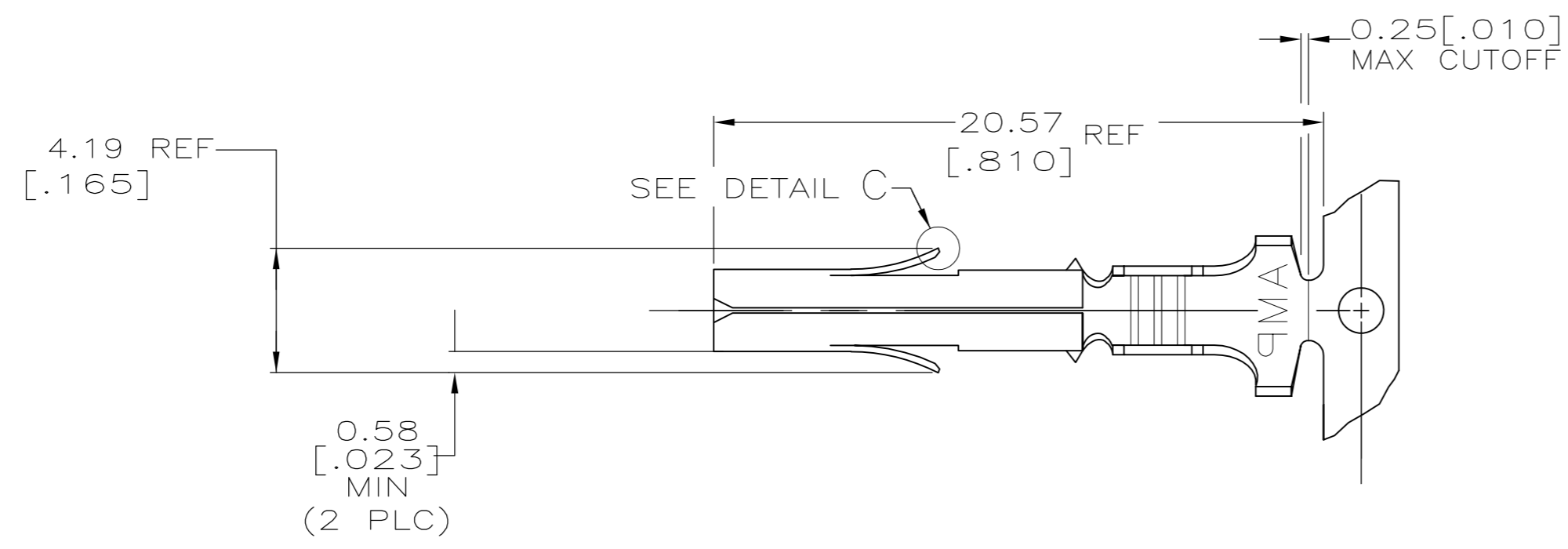


THIS DRAWING IS UNPUBLISHED. RELEASED FOR PUBLICATION
 © COPYRIGHT BY TYCO ELECTRONICS CORPORATION. ALL INTERNATIONAL RIGHTS RESERVED.

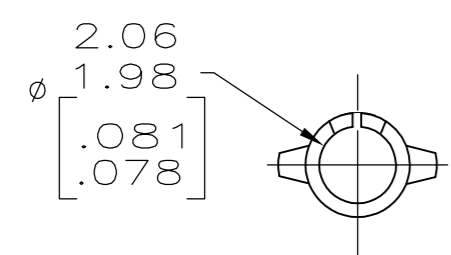
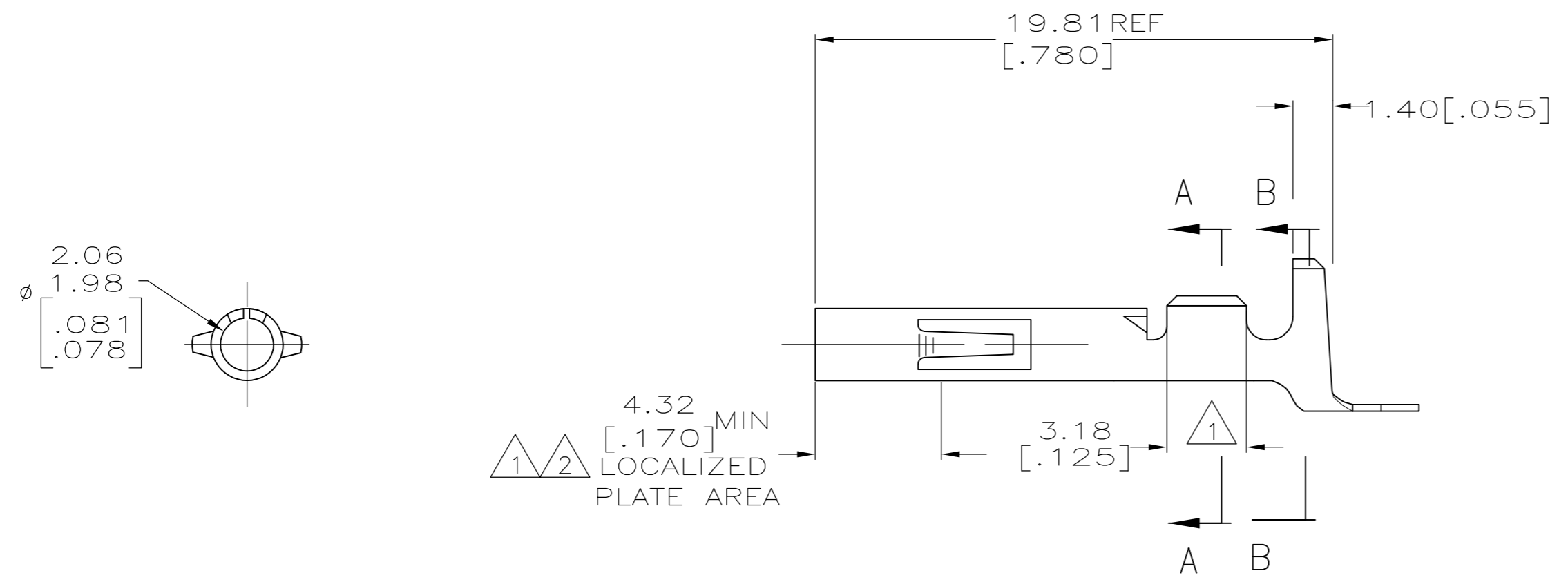
LOC	DIST	REVISIONS			
P	LTR	DESCRIPTION	DATE	DWN	APVD
CM	53	AE	REVISED PER ECO-09-007665	14APR09	HMR MS

D

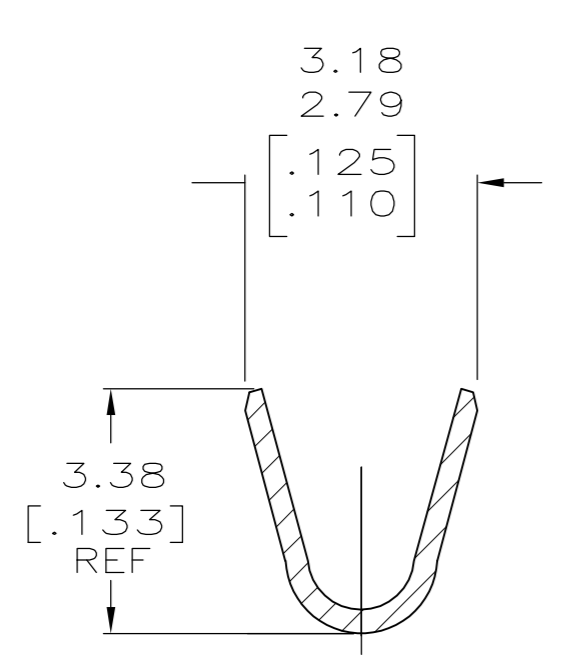


- 1 0.00076[.000030] THK GOLD OVER NICKEL ON INSIDE OF RECEPTACLE AND WIRE BARREL; REMAINDER OF CONTACT IS NICKEL PLATED.
- 2 0.00076[.000030] THK GOLD ON INSIDE OF RECEPTACLE; REMAINDER OF CONTACT IS NICKEL PLATED.
- 3 DIMENSIONS IN BRACKETS ARE IN INCHES.
- 4 PACKAGED AND SOLD IN PALLET LOADS ONLY. 44 REELS PER PALLET (110,000 CONTACTS).
- 5 LUBRICATED.

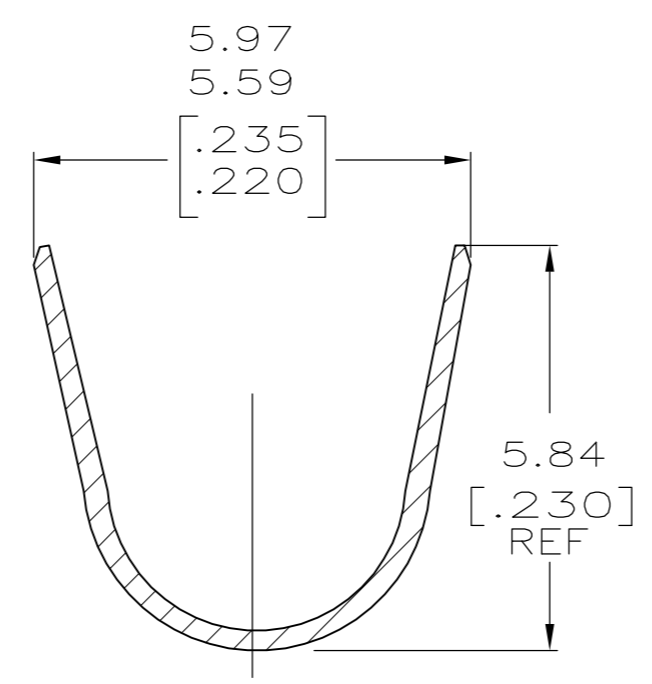
C



B



SECTION A-A
SCALE 10:1



SECTION B-B
SCALE 10:1

NOTE 5

REF	FINISH	MATERIAL	PART NO
350551-1	TIN	350537-1	1-350537-2
-	TIN	MAKE FROM 350537-1	1-350537-1
350551-7	GOLD 2	0.30 [.012] BRASS	350537-7
350551-6	GOLD 2	0.30 [.012] PH BZ	350537-6
350551-3	TIN	0.30 [.012] PH BZ	350537-3
350551-2	GOLD 1	0.30 [.012] BRASS	350537-2
350551-1	TIN	0.30 [.012] BRASS	350537-1
LOOSE PIECE (REF)	FINISH	MATERIAL	PART NO

THIS DRAWING IS A CONTROLLED DOCUMENT.		DWN K. SALMON 6-11-91	Tyco Electronics Corporation Harrisburg, PA 17105-3608	
DIMENSIONS: mm [INCHES]		CHK R. SWING 6-11-91	NAME SOCKET, UNIVERSAL MATE-N-LOK™	
TOLERANCES UNLESS OTHERWISE SPECIFIED:		APVD D. SELF 6-11-91	SIZE A2 CAGE CODE 00779 DRAWING NO C=350537	
0 PLC ± -		PRODUCT SPEC -	RESTRICTED TO -	
1 PLC ± -		APPLICATION SPEC -	SCALE 1:1 SHEET 1 OF 1 REV AE	
2 PLC ± -		WEIGHT -		
3 PLC ± 0.13[.005]		CUSTOMER DRAWING		
4 PLC ± -				
ANGLES ± -				
MATERIAL 20-14 AWG		FINISH 5.08[.200] DIA MAX		

350537