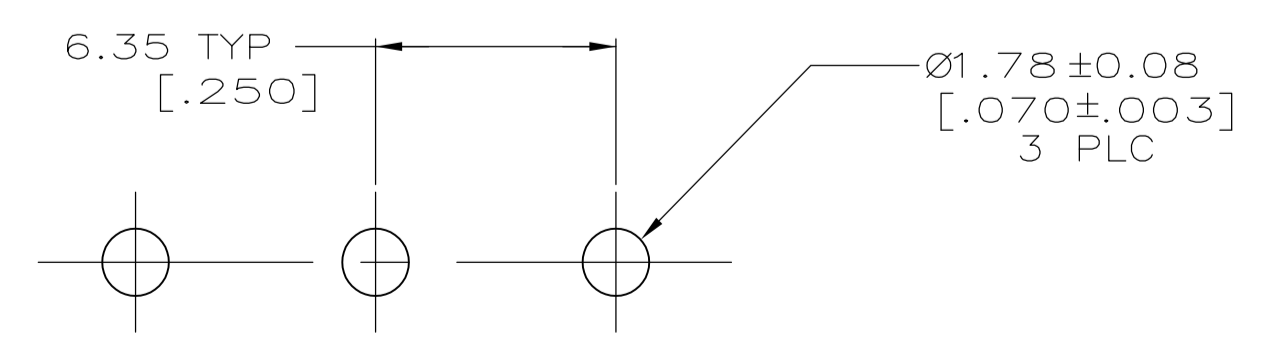
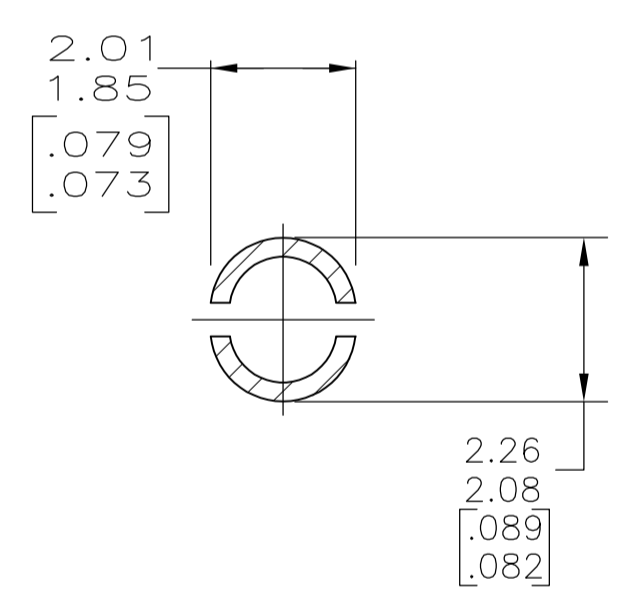
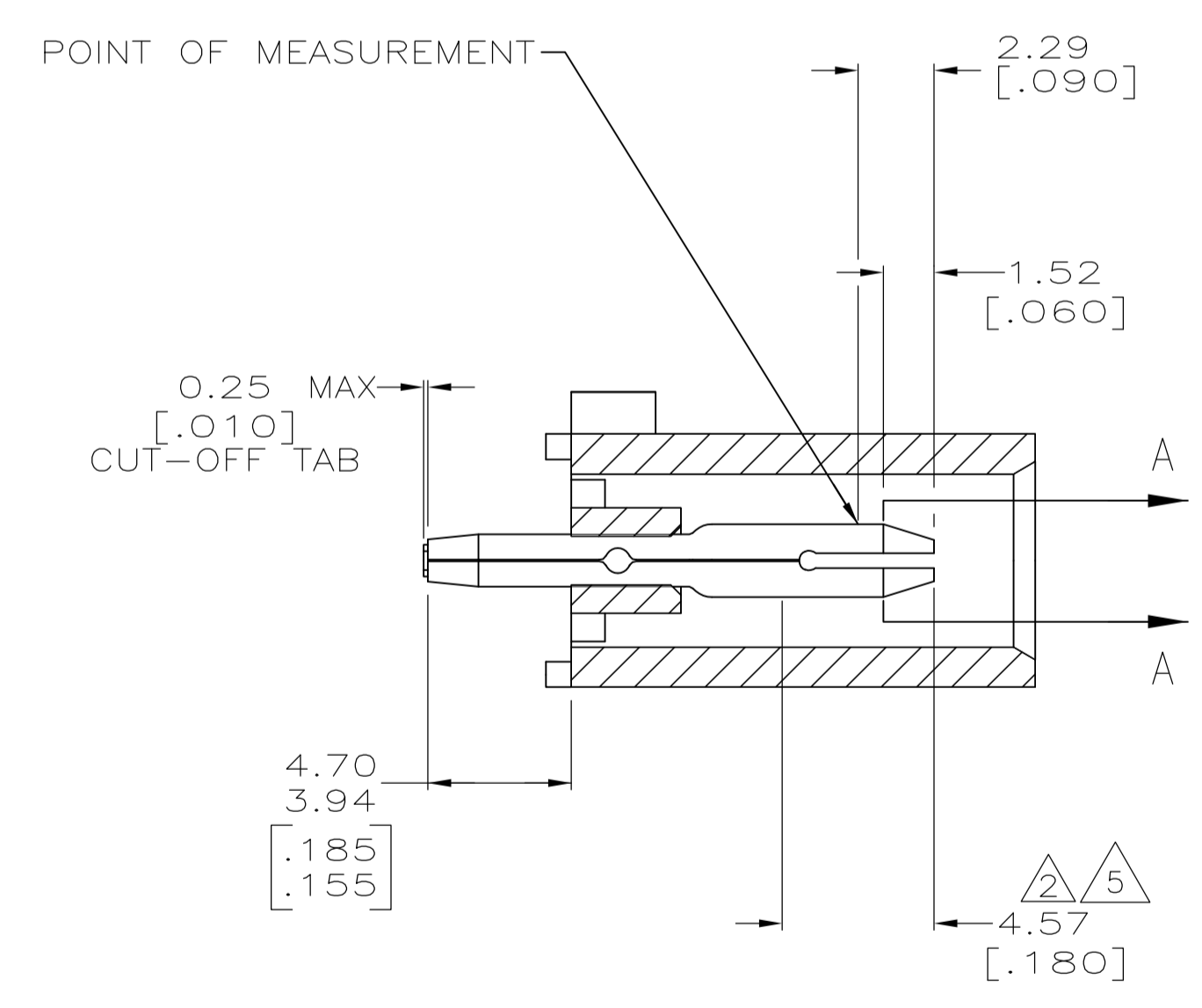
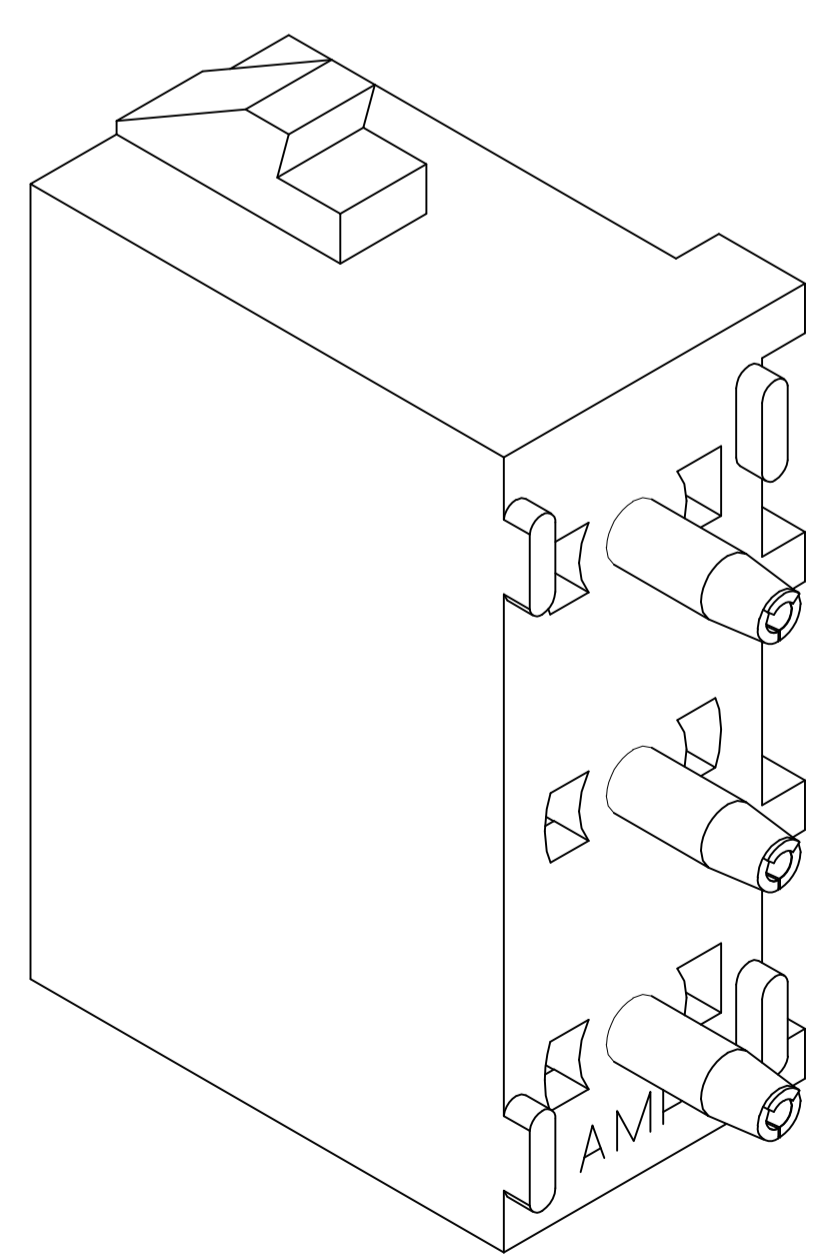
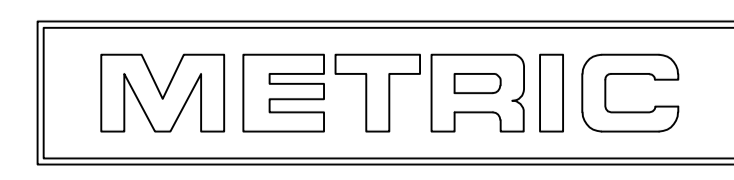


- PARTS COMPLY TO AMP SOLDERABILITY SPECIFICATION 109-11-3.
- CONTACT IS PLATED OVERALL WITH 0.00127 [.000050] NICKEL, THEN 0.00076 [.000030] GOLD OVER CONTACT LENGTH INDICATED AND MATTE TIN-LEAD ON SOLDER TAIL END.
- CIRCUIT IDENTIFICATION CHARACTERS ARE ADJACENT TO THE INDICATED CAVITIES, BUT LOCATION AND ORIENTATION MAY DIFFER FROM PRINT.
- DIMENSIONS IN BRACKETS ARE IN INCHES.
- CONTACT IS PLATED OVERALL WITH 0.00127 [.000050] NICKEL, THEN 0.00076 [.000030] GOLD OVER CONTACT LENGTH INDICATED AND MATTE TIN ON SOLDER TAIL END.



PHOSPHOR BRONZE, PRE-TIN	NYLON, UL94V-0, BLUE	1-350789-6
PHOSPHOR BRONZE, PRE-TIN	NYLON, UL94V-0, RED	1-350789-2
PHOSPHOR BRONZE, GOLD $\Delta 5$	NYLON, UL94V-0, WHITE	350789-3
PHOSPHOR BRONZE, GOLD $\Delta 2$	NYLON, UL94V-0, WHITE	350789-2
PHOSPHOR BRONZE, PRE-TIN	NYLON, UL94V-0, WHITE	350789-1
PIN CONTACT MATERIAL AND FINISH	HOUSING MATERIAL	PART NUMBER



THIS DRAWING IS A CONTROLLED DOCUMENT.

DIMENSIONS: mm [INCHES]	TOLERANCES UNLESS OTHERWISE SPECIFIED:	DIN S. CARPENTER 23JUN2003	APVD S. RIDGILL 23JUN2003	NAME: PIN HEADER ASSEMBLY, 3 CIRCUIT, UNIVERSAL MATE-N-LOK(TM)
0 PLC ±	1 PLC ±	2 PLC ±	3 PLC ± 0.13 [.005]	APPLICATION SPEC
4 PLC ±	ANGLES ±	SIZE: A1 00779 C=350789		
MATERIAL: SEE TABLE	FINISH: SEE TABLE	WEIGHT:	CUSTOMER DRAWING	SCALE: 5:1 SHEET 1 OF 1 REV R1