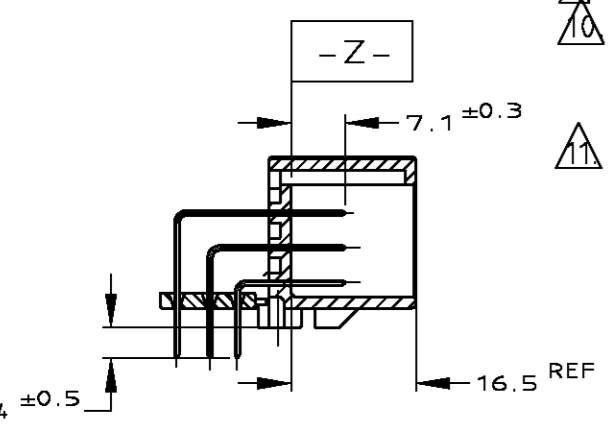
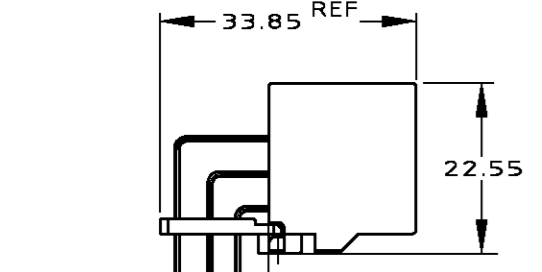
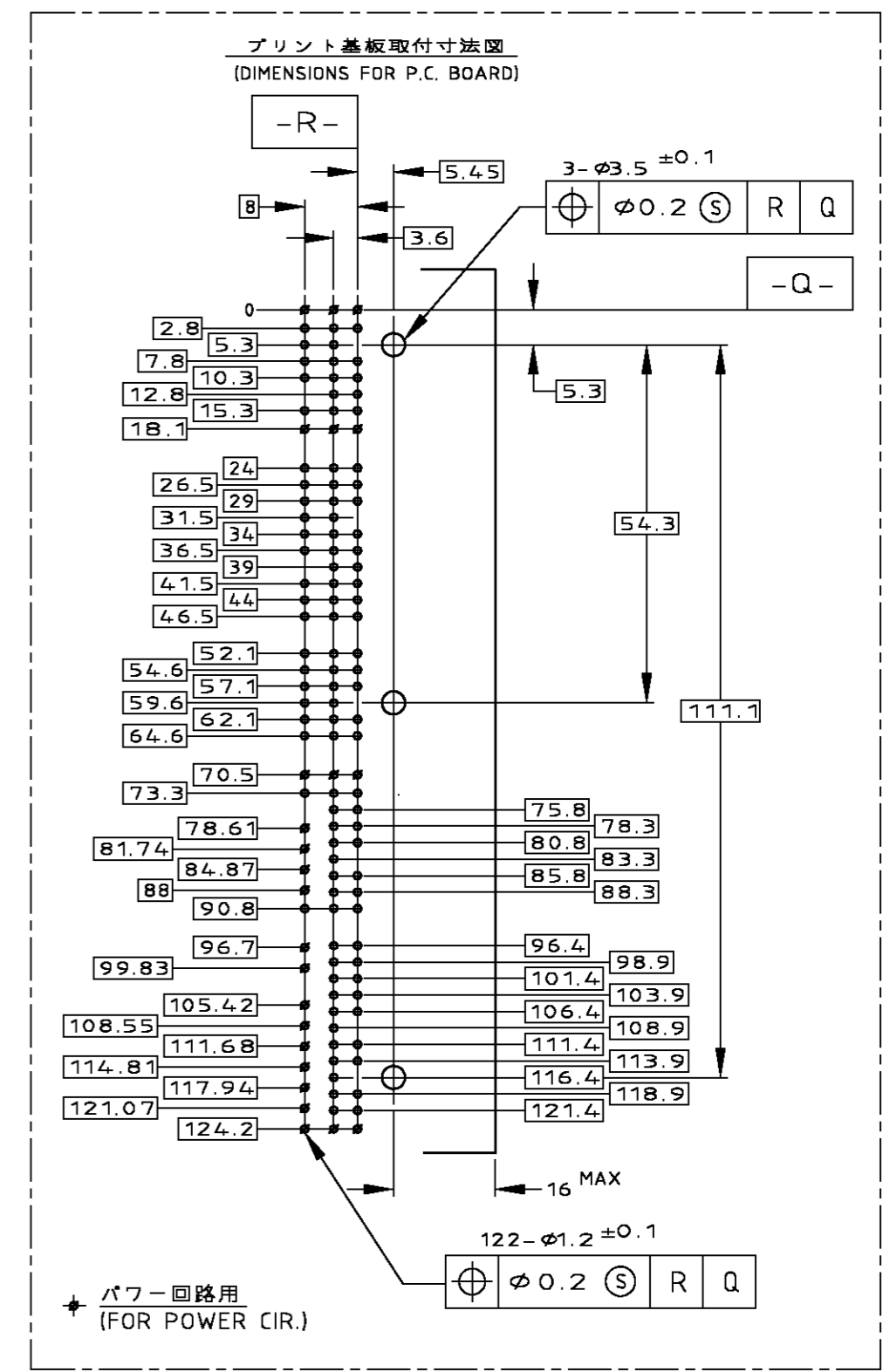
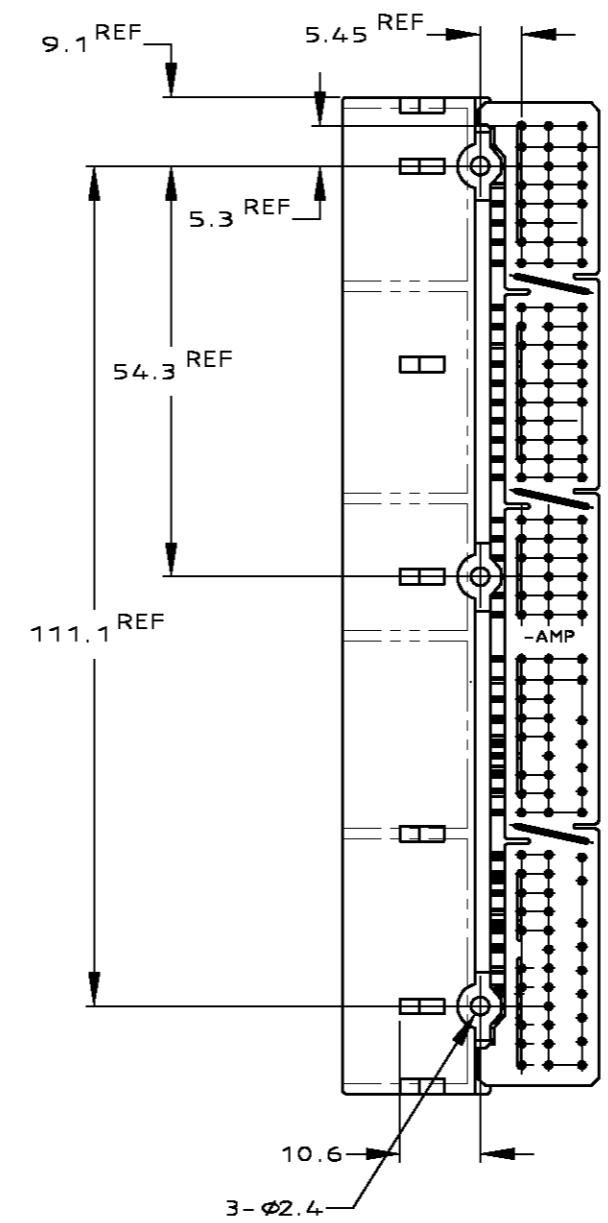
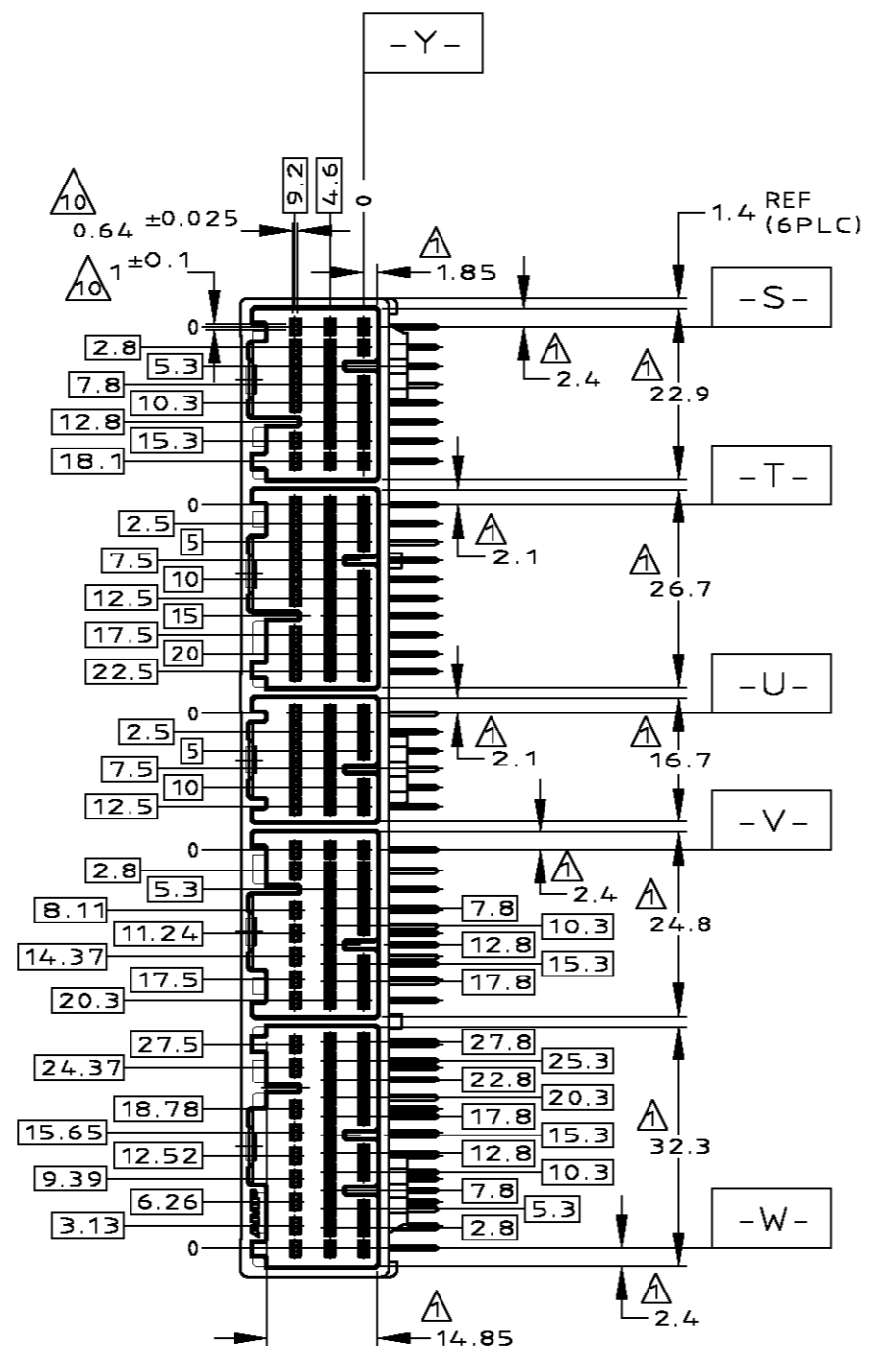
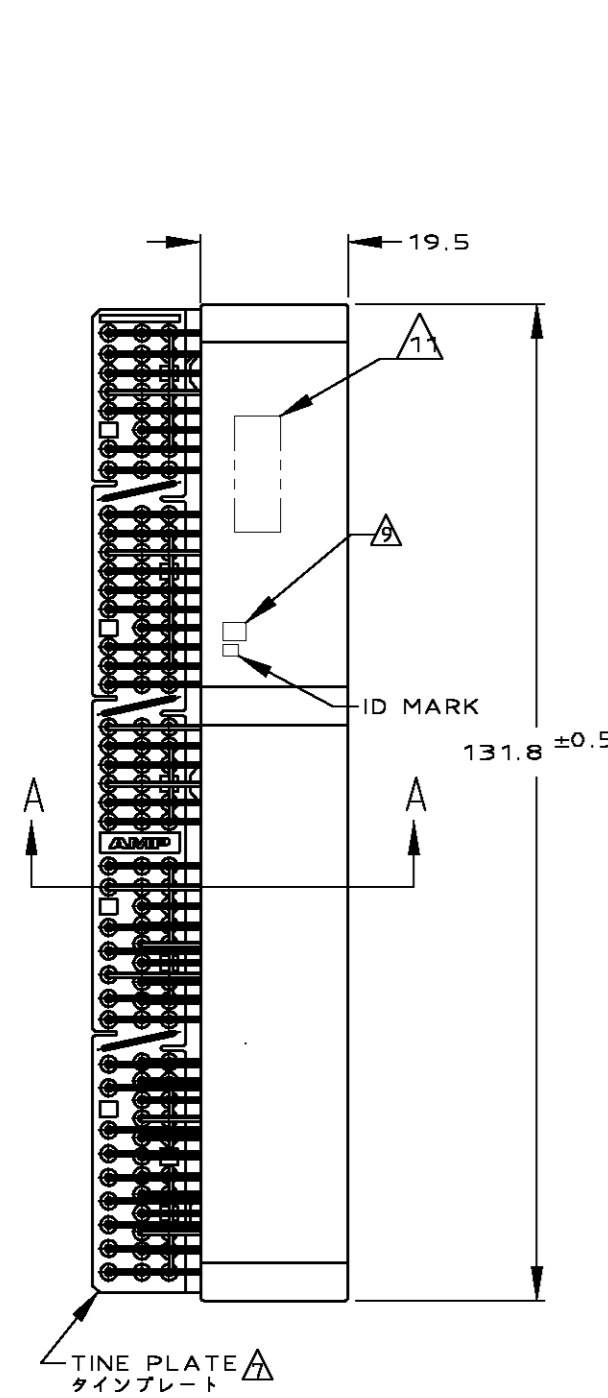
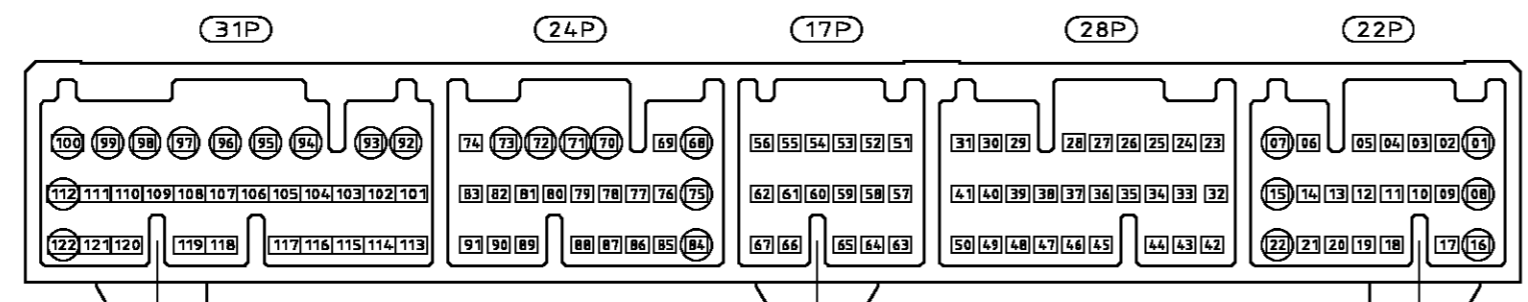


LOC	DIST	REVISIONS					
J		P	LTR	DESCRIPTION	DATE	DWN	APVD
		J		REVISED ECR-09-005279	11MAR09	AY	HY



- △ Z面より7.5mmの位置で測定
- △ パワ-回路(24極); FIG 1参照
- △ 回路番号; FIG 1参照
- 4. 嵌合相手ハウジング型番
17P; 353027, 22P;353028, 24P;353029
28P; 353030, 31P; 353031
- 5. 推奨取付ねじ: JIS B1115、B1122タッピングねじ、なべ2種、呼び径3、長さ6以下
- 6. ねじ締付トルク: 0.392N・m MAX
- △ タインプレートの色は、自然色
- △ 外箱は段ボール箱仕様
- △ コンタクト仕上識別用マーク; 表参照
- △ 0.4 Z Y DTM TOP OF POST
- △ 3次DTMについては、[ES], [ET], [EU], [EV], [EW]を各々のブロック毎に適用する
- △ 11 製造DATE CODEが印字される可能性がある。TERTIARY DATUM; [ES], [ET], [EU], [EV], [EW] OF EACH BLOCK TO BE POSSIBLE TO MARK MANUFACTURING DATE CODE LOCATED APPROXIMATELY AS SHOWN.
- △ MEASURED AT THE SECTION 7.5mm FROM Z.
- △ POWER CIRCUITS (24); SEE FIG 1
- △ CIRCUIT NUMBERS; SEE FIG 1
- 4. PART NO OF PLUG HOUSINGS TO BE MATED
17P; 353027, 22P;353028, 24P;353029
28P; 353030, 31P; 353031
- 5. RECOMMENDED SCREW: PAN-HEADED, TYPE 2 TAPPING SCREW OF 3DIA X 6LEN(MAX) (JIS B1115, B1122).
- 6. FASTENING TORQUE FOR SCREW: 0.392N・m MAX.
- △ TINE PLATE COLOR; NATURAL
- △ OUTER PACKING; CARTON BOX
- △ MARKING FOR DISCERNMENT OF THE CONTACTS FINISH; SEE TABLE
- △ 0.4 Z Y DTM TOP OF POST
- △ 11 TO BE POSSIBLE TO MARK MANUFACTURING DATE CODE LOCATED APPROXIMATELY AS SHOWN.



SEE 2-5353015-1 (2-5353015-1 参照)						
108-5529	58	(無色) COLORLESS	SELECTIVE-TIN (MATTE)	SELECTIVE GOLD × 122	1~122	NATURAL 8-5353015-1
	52	BLACK	SELECTIVE-TIN (MATTE)	SELECTIVE GOLD × 62	4-6,10-14,17-21,30,32,36,40,41,43-45,47,49,50,54,55,60,61,65,67,69,76-83,85-91,101-109,113-119	NATURAL 2-5353015-1
				SELECTIVE TIN(BRIGHT) × 60		
OBSOLETE	-108-5529				SEE CUSTOMER-DRAWING 9-353015-1	9-353015-1
OBSOLETE	-108-5529	8	TIN-LEAD	SELECTIVE-GOLD × 122	1~122	8-353015-1
108-5529	2	BLACK	TIN-LEAD	SELECTIVE GOLD × 62	4-6,10-14,17-21,30,32,36,40,41,43-45,47,49,50,54,55,60,61,65,67,69,76-83,85-91,101-109,113-119	NATURAL 2-353015-1
	10	(無色) COLORLESS	SELECTIVE-TIN (MATTE)	SELECTIVE GOLD × 122	1~122	BLACK 353015-4
108-5673	11	(無色) COLORLESS	PRE-TIN × 122			NATURAL 353015-3
108-5529	8	WHITE	TIN-LEAD	SELECTIVE GOLD × 122	1~122	BLACK 353015-2
PRODUCT SPEC	記号 SYM	色 COLOR	半田付け部 SOLDERING SIDE	接触部側 CONTACT SIDE	金めっき回路NO. Au CIRCUIT NO.	色 (COLOR) 型番 (PART NO)
製品規格	△	△	△	△	△	△

THIS DRAWING IS A CONTROLLED DOCUMENT.

DWN: N.YASUDA 25DEC00
 CHK: N.SAI 25DEC00
 APVD: N.SAI 25DEC00

Tyco Electronics Tyco Electronics AMP K.K. Kawasaki, Japan

040 III HIGH DENSITY CONNECTOR 122P CAP HOUSING ASSY

SIZE: A2 CAGE CODE: 00779 DRAWING NO: C=353015

WEIGHT: 40.91 g

SCALE: 1:1 SHEET: 1 OF 1 REV: J

RESTRICTED