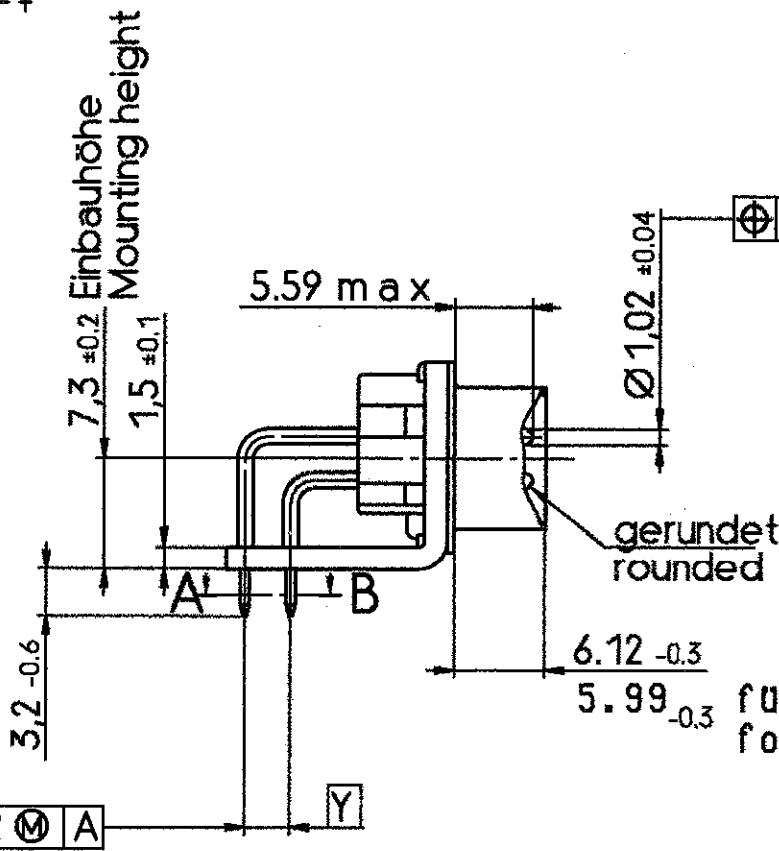
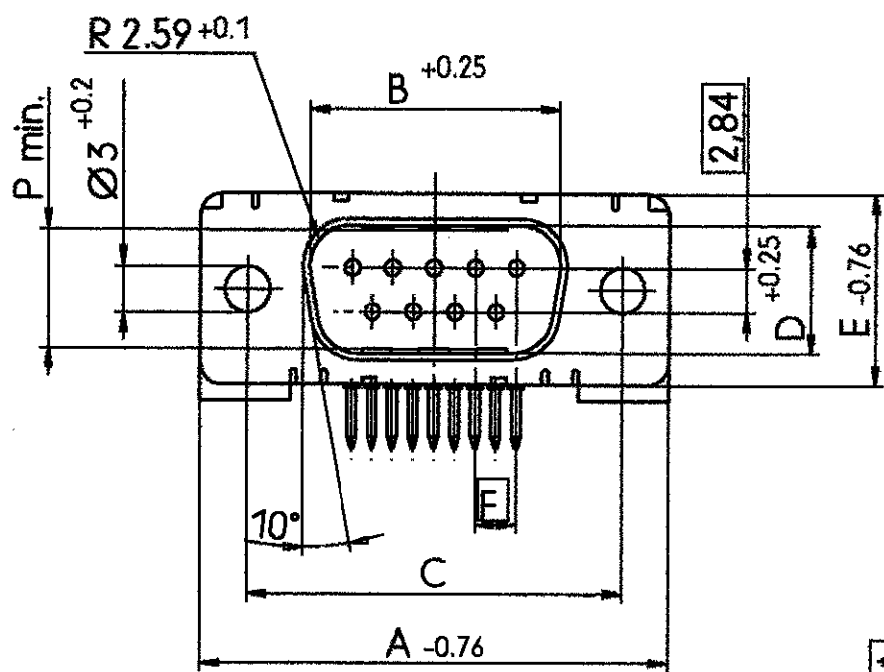
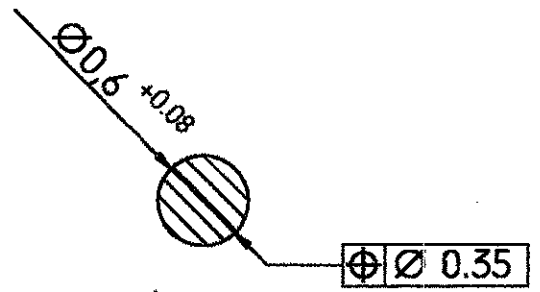


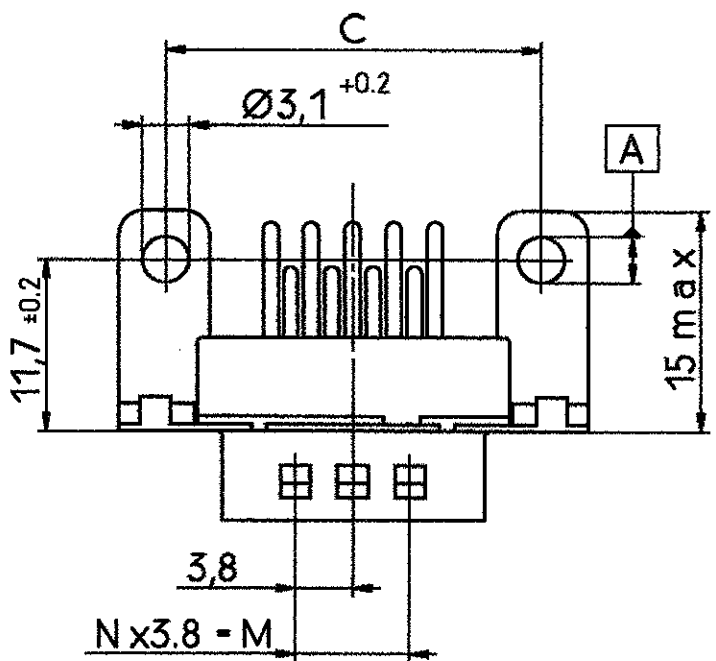
Standardausführung: V23529-A₂¹1x1-Cxxx-+
Standardversion



Schnitt AB des Lötanschlusses
Cross-section AB of solderpin
(20:1)



für 25 und 37 polig
for 25- and 37-contact version



Ordercode Sachnr V23529-Axxxx	Contacts Polzahl	Mass/Dimension								
		A	B	C	D	E	F	M	N	P
..-Cx09-+	09	31.19	16.79	25.0 ^{+0.12} _{-0.13}	8.23	12.93	2.74	7.6	2	7.72
..-Cx15-+	15	39.52	25.12	33.3 ^{+0.15} _{-0.1}			2.74	15.2	4	7.69
..-Cx25-+	25	53.42	38.84	47.04 ^{+0.13} _{-0.13}			2.76	26.6	7	7.65
..-Cx37-+	37	69.7	55.30	63.5 ^{+0.13} _{-0.13}			2.76	41.8	11	7.65

Anforderungsstufe/Performance level¹⁾

Sachnr/Ordernr V23529-	Y
Axx1x-Cxxx-+	2.84
Axx2x-Cxxx-+	2.54

1) nach DIN 41652 T.2 und T.4
according to DIN 41652 p.2 and p.4

tyco TYCO ELECTRONICS CORPORATION		SCALE 2:1 (20:1)		WEIGHT	
Electronics OOSTKAMP - BELGIUM		DIMENSIONS IN MM		MATERIAL	
DATE 18.04.89		PART NAME		SHT. 1+	
NAME Embo		Stiftleiste-90° Lötanschluss			
DEP. PD COM		(Variant 2 und 3) ¹⁾			
TOLERANCE UNLESS SPECIFIED OTHERWISE		Pinconnector-90° solderversion			
		(Type 2 and 3) ¹⁾			
Customer Drawing Nr. C 1393478-8		PART NO.		V23529-A****-C****-*-7427	
		REV. CHANGE ORDER		DATE	
		APP.		OF 8	

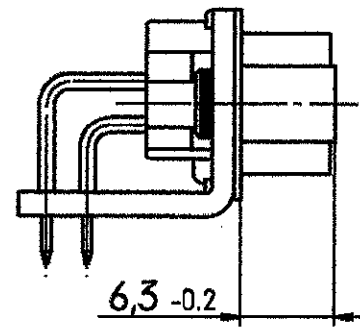
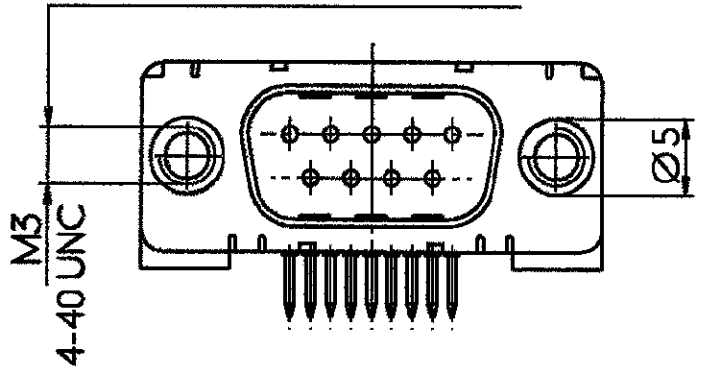
THIS INFORMATION IS CONFIDENTIAL AND PROPRIETARY TO TYCO ELECTRONICS CORPORATION. IT MAY NOT BE DISCLOSED TO ANYONE, OTHER THAN TYCO ELECTRONICS PERSONNEL, WITHOUT WRITTEN AUTHORIZATION FROM TYCO ELECTRONICS CORPORATION, HARRISBURG PENNSYLVANIA USA.

KROKRIAKT

THIS INFORMATION IS UNCLASSIFIED AND UNCONTROLLED. IT IS THE PROPERTY OF TYCO ELECTRONICS CORPORATION AND IS LOANED TO THE USER. IT IS NOT TO BE DISCLOSED TO ANYONE, OTHER THAN TYCO ELECTRONICS PERSONNEL, WITHOUT WRITTEN AUTHORIZATION FROM TYCO ELECTRONICS CORPORATION, HARRISBURG PENNSYLVANIA USA

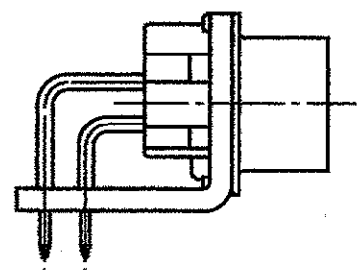
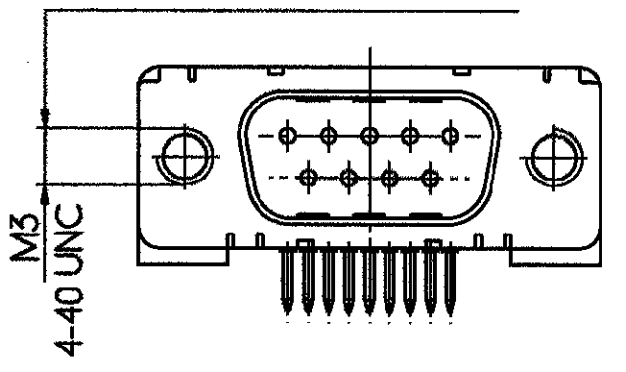
mit Gewindebolzen: M3 V23529-A₂¹xx4-Cxxx-+
 with threadlock 4-40 UNC V23529-A₂¹xx5-Cxxx-+

Verdrehsicherheit ≥ 70 Ncm
 torsionresistance

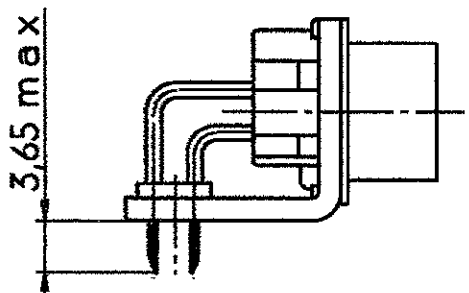
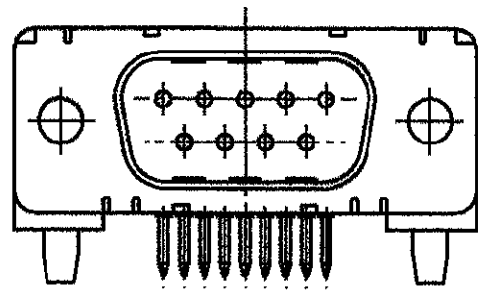


mit Gewinde: M3 V23529-A₂¹xx2-Cxxx-+
 with thread 4-40 UNC V23529-A₂¹xx3-Cxxx-+

Verdrehsicherheit ≥ 70 Ncm
 torsionresistance

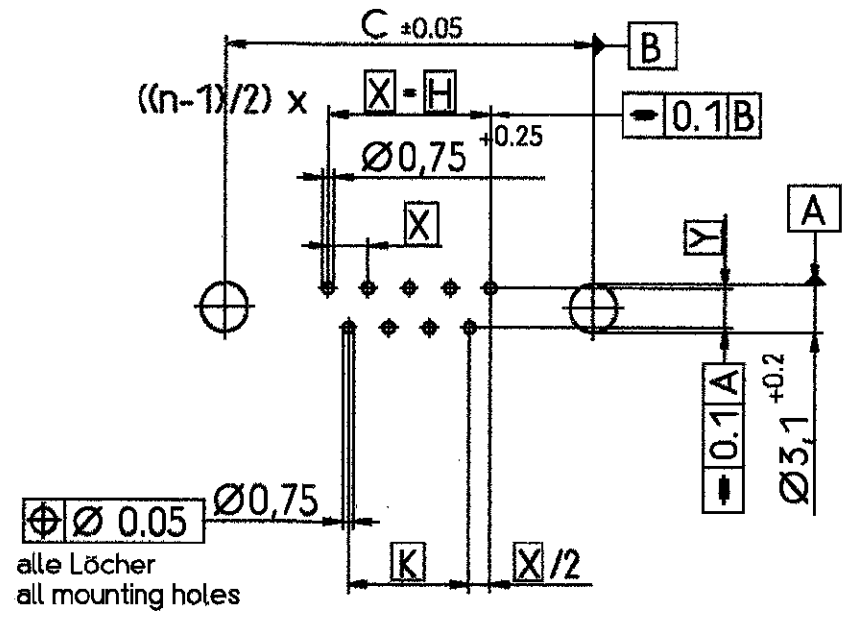


mit Clipbefestigung: V23529-A₂¹2xx-Cxxx-+
 with snap-in



LP-Dicke 1,6±0,13mm, Loch Ø3,1^{+0.2}
 PC-board-thickness 1,6±0,13mm, Hole Ø3,1^{+0.2}

Leiterplattenbohrung
 PCB hole pattern



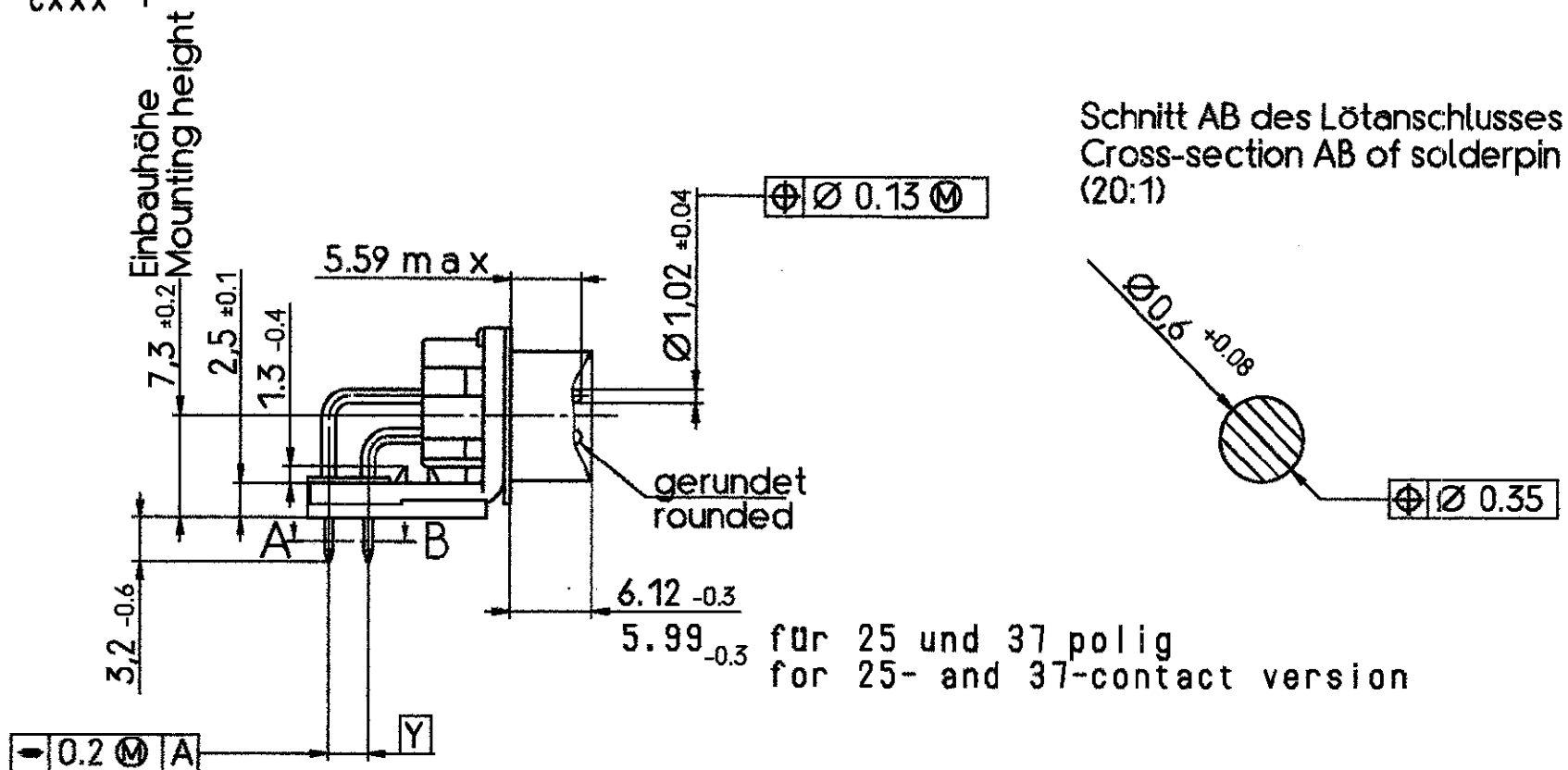
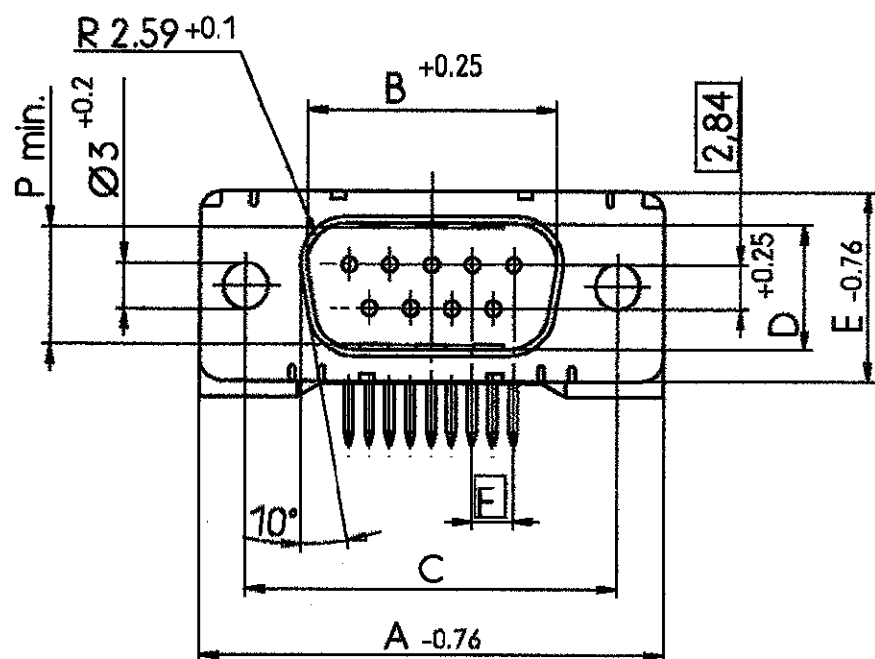
Mass Dimension	Polzahl n Number of contacts n			
	9	15	25	37
C	25	33.3	47.04	63.5
H	10.96	19.18	33.12	49.68
K	8.22	16.44	30.36	46.92
X	2.74	2.74	2.76	2.76
Y	2.54 ^{oder} or 2.84			

1) nach DIN 41652 T.2 und T.4
 according to DIN 41652 p.2 and p.4

tyco TYCO ELECTRONICS CORPORATION		SCALE 2:1		WEIGHT	
OOSTKAMP - BELGIUM		DIMENSIONS IN MM		MATERIAL	
B2 EH10-0351-05 14 APR 05 JvdH B1 EHCO-0362-04 25 JUN 04 JvdH B EH01-1460-03 03 DEC 03 JvdH A1 OU60-0081-00 04 SEP 00 KV		DATE 18.04.89 NAME Embo DEP. PD COM		PART NAME Stiftleiste-90° LötAusführung (Variant 2 und 3) ¹⁾ Pinconnector-90° solderversion (Type 2 and 3) ¹⁾	
A WO 00/7005 26.05.00 VS 09 WO97/2518 04.02.97 BTH 08 WO96/2515 15.04.96 BTH		TOLERANCE UNLESS SPECIFIED OTHERWISE		PART NO. V23529-A****-C****-*-7427	
REV. CHANGE ORDER		DATE		APP. Customer Drawing Nr. C 1393478-8	
				SHT. 2+ OF 8	

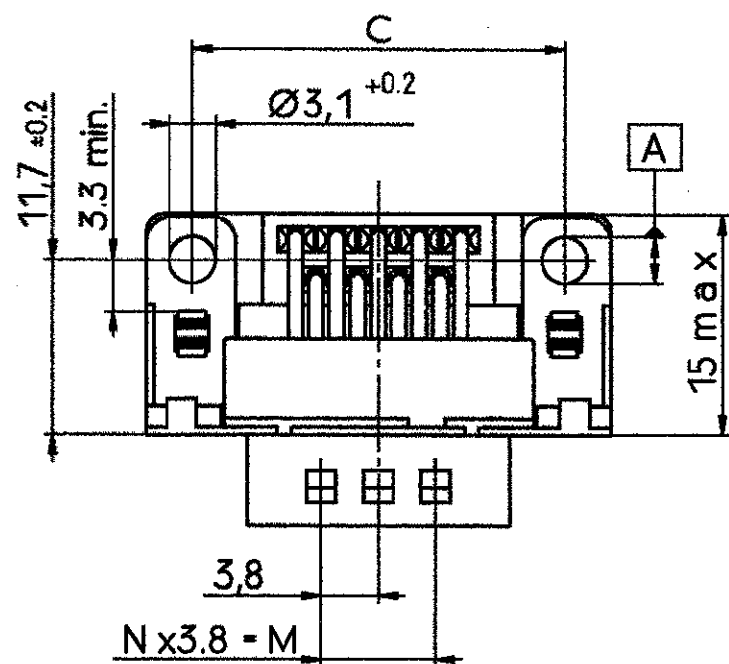
PROJEKTART:

Standardausführung isoliert: V23529-A³₄1x1-Cxxx-+
 Standardversion insulated



Schnitt AB des Lötanschlusses
 Cross-section AB of solderpin
 (20:1)

für 25 und 37 polig
 for 25- and 37-contact version



Ordercode Sachnr	Contacts Polzahl	Mass/Dimension								
		A	B	C	D	E	F	M	N	P
V23529-Axxxx										
...Cx09-+	09	31.19	16.79	25.0 ^{+0.12} _{-0.13}	8.23	12.93	2.74	7.6	2	7.72
...Cx15-+	15	39.52	25.12	33.3 ^{+0.15} _{-0.1}			2.74	15.2	4	7.69
...Cx25-+	25	53.42	38.84	47.04 ^{+0.13} _{-0.13}			2.76	26.6	7	7.65
...Cx37-+	37	69.7	55.30	63.5 ^{+0.13} _{-0.13}			2.76	41.8	11	7.65

Anforderungsstufe/Performance level¹⁾

Sachnr/Ordernr V23529-	Y
Axx1x-Cxxx-+	2.84
Axx2x-Cxxx-+	2.54

1) nach DIN 41652 T.2 und T.4
 according to DIN 41652 p.2 and p.4

tyco TYCO ELECTRONICS CORPORATION		SCALE 2:1 (20:1)		WEIGHT	
OOSTKAMP - BELGIUM		DIMENSIONS IN MM		MATERIAL	
LOC GW		DATE 18.04.89		PART NAME	
NAME Embo		DEP. PD COM		Stiftleiste-90° Lötanschluss (Variant 2 und 3) ¹⁾	
TOLERANCE UNLESS SPECIFIED OTHERWISE		PART NO.		Pinconnector-90° solderversion (Type 2 and 3) ¹⁾	
Customer Drawing Nr. C 1393478-8		REV. CHANGE ORDER		SHT. 3+	
DATE		APP.		V23529-A****-C****-7427	
				OF 8	

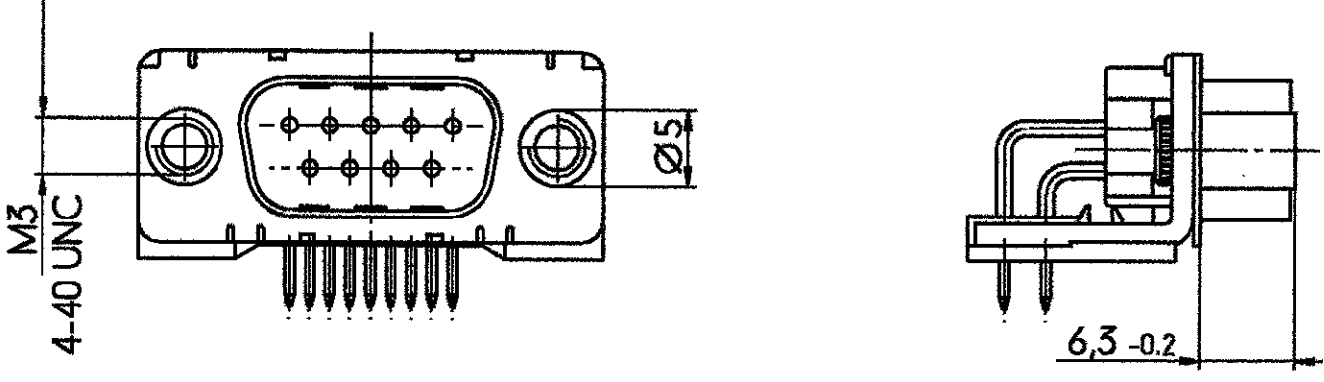
THIS INFORMATION IS CONFIDENTIAL AND PROPRIETARY TO TYCO ELECTRONICS CORPORATION AND ITS WORLDWIDE SUBSIDIARIES AND AFFILIATES. IT MAY NOT BE DISCLOSED TO ANYONE, OTHER THAN TYCO ELECTRONICS PERSONNEL, WITHOUT WRITTEN AUTHORIZATION FROM TYCO ELECTRONICS CORPORATION, HARRISBURG PENNSYLVANIA USA

PROPRIETARY

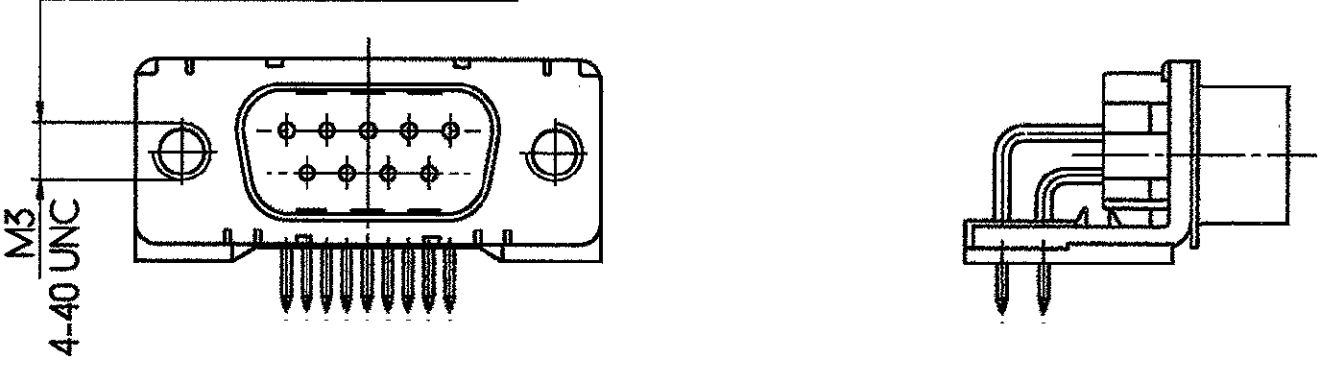
THIS INFORMATION IS CONFIDENTIAL AND PROPRIETARY TO TYCO ELECTRONICS CORPORATION AND ITS WORLDWIDE SUBSIDIARIES AND AFFILIATES. IT MAY NOT BE DISCLOSED TO ANYONE, OTHER THAN TYCO ELECTRONICS PERSONNEL, WITHOUT WRITTEN AUTHORIZATION FROM TYCO ELECTRONICS CORPORATION, HARRISBURG PENNSYLVANIA USA

PROPRIETARY

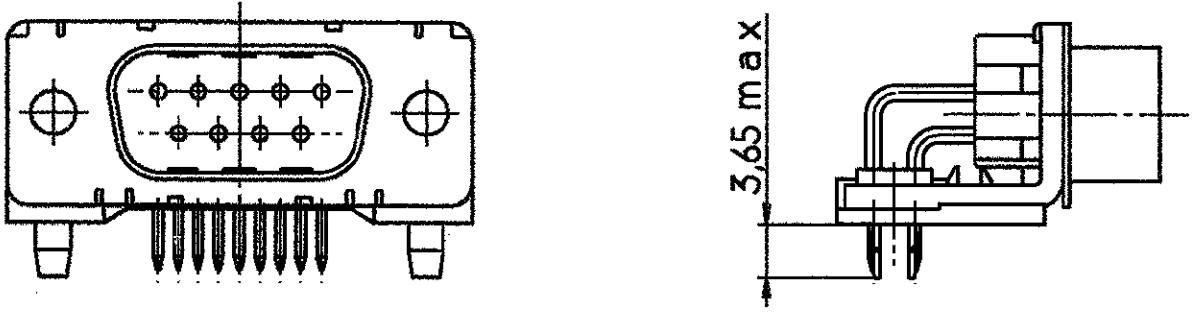
mit Gewindebolzen : M3 V23529-A³/₄xx4-Cxxx-+
 with threadlock 4-40 UNC V23529-A³/₄xx5-Cxxx-+
 Verdrehsicherheit \geq 70 Ncm
 torsionresistance



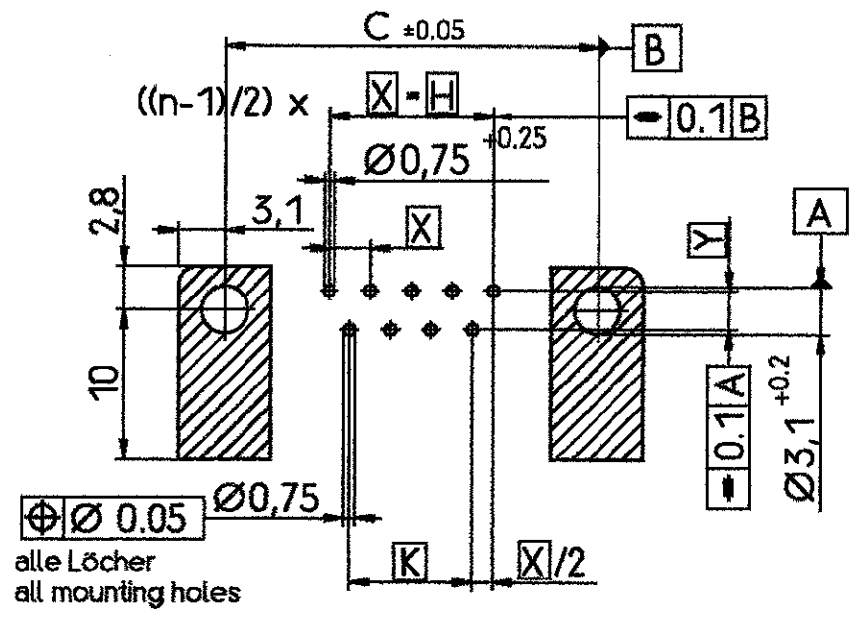
mit Gewinde: M3 V23529-A³/₄xx2-Cxxx-+
 with thread 4-40 UNC V23529-A³/₄xx3-Cxxx-+
 Verdrehsicherheit \geq 70 Ncm
 torsionresistance



mit Clipbefestigung: V23529-A³/₄2xx-Cxxx-+
 with snap-in



Leiterplattenbohrung
 PCB hole pattern

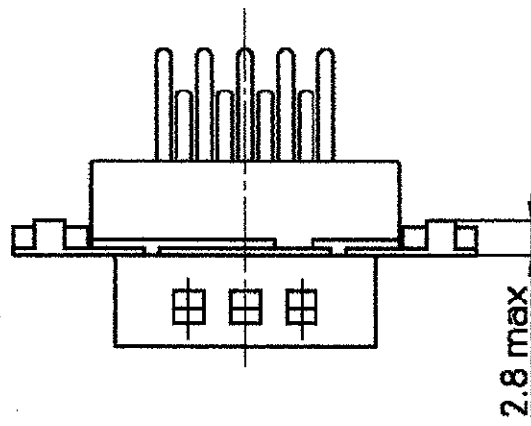
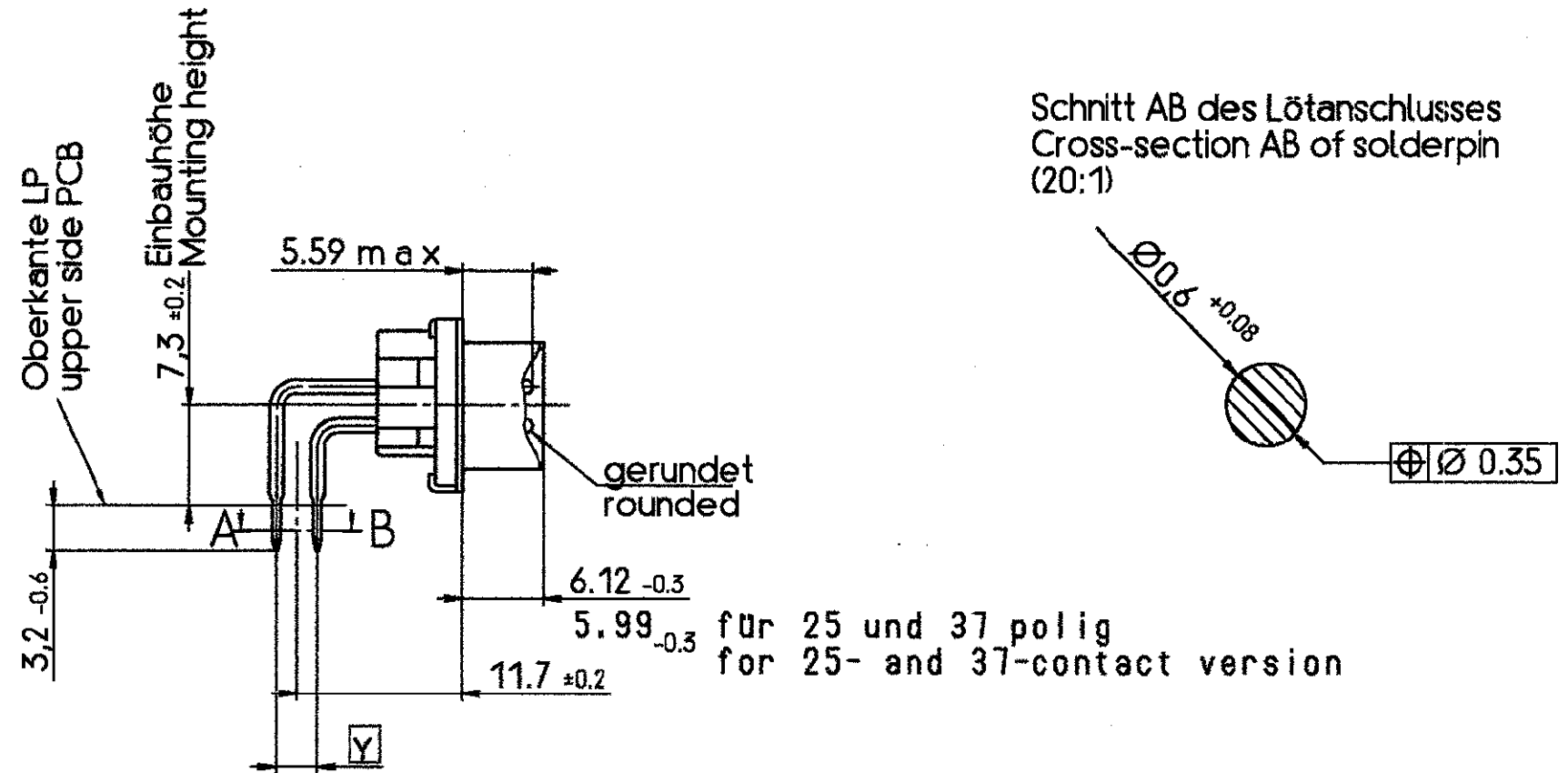
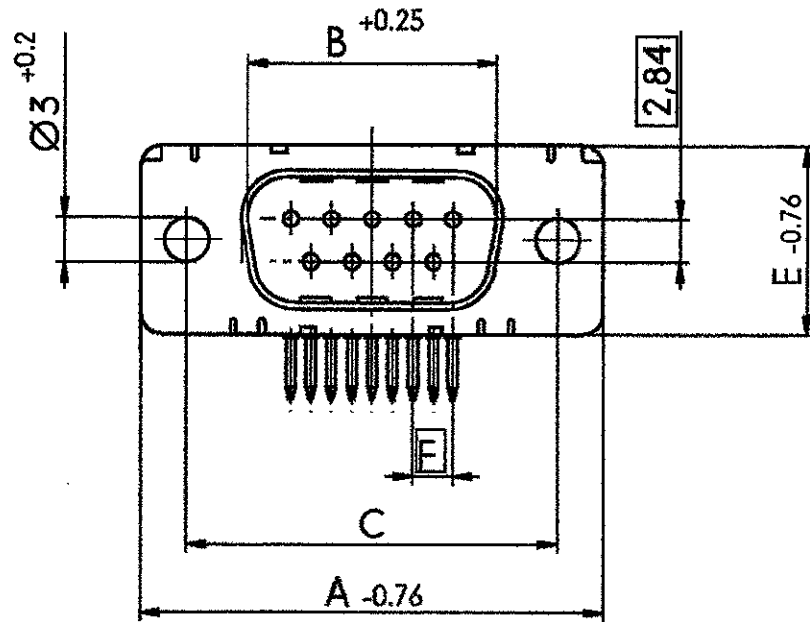


Dimension	Polzahl n			
	9	15	25	37
C	25	33.3	47.04	63.5
H	10.96	19.18	33.12	49.68
K	8.22	16.44	30.36	46.92
X	2.74	2.74	2.76	2.76
Y	2.54 oder 2.84			

1) nach DIN 41652 T.2 und T.4
 according to DIN 41652 p.2 and p.4

tyco TYCO ELECTRONICS CORPORATION		SCALE 2:1		WEIGHT
OOSTKAMP - BELGIUM		DIMENSIONS IN MM		MATERIAL
LOC. GW		DATE 18.04.89		PART NAME
REV. CHANGE ORDER		NAME Embo		Stiftleiste-90° LötAusführung
DATE 14 APR 05		DEP. PD.COM		(Variant 2 und 3) ¹⁾
DATE 25 JUN 04		TOLERANCE UNLESS SPECIFIED OTHERWISE		Pinconnector-90° solderversion
DATE 03 DEC 03		PART NO.		(Type 2 and 3) ¹⁾
DATE 04 SEP 00		V23529-A****-C***-*-7427		SHT. 4+
DATE 26.05.00		Customer Drawing Nr. C 1393478-8		OF 8
DATE 04.02.97				
DATE 15.04.96				

Standardausführung ohne Winkel: V23529-A50x1-Cxxx-+
 Standardversion without bracket



Ordercode Sachnr V23529-Axxxx	Contacts Polzahl	Mass/Dimension							
		A	B	C	D	E	F		P
..-Cx09-+	09	31.19	16.79	25.0 ^{+0.12} _{-0.13}	8.23	12.93	2.74		7.72
..-Cx15-+	15	39.52	25.12	33.3 ^{+0.15} _{-0.1}			2.74		7.69
..-Cx25-+	25	53.42	38.84	47.04 ^{+0.13} _{-0.13}			2.76		7.65
..-Cx37-+	37	69.7	55.30	63.5 ^{+0.13} _{-0.13}			2.76		7.65

Anforderungsstufe/Performance level¹⁾

Sachnr/Ordernr V23529-	Y
A501x-Cxxx-+	2.84
A502x-Cxxx-+	2.54

tyco TYCO ELECTRONICS CORPORATION		SCALE 2:1 (20:1)		WEIGHT	
OOSTKAMP - BELGIUM		DIMENSIONS IN MM		MATERIAL	
DATE 18.04.89		PART NAME		SHT. 5+	
NAME Embo		Stiftleiste-90° Lötanschluss			
DEP. PD COM		(Variant 2 und 3) ¹⁾			
TOLERANCE UNLESS SPECIFIED OTHERWISE		Pinconnector-90° solderversion			
		(Type 2 and 3) ¹⁾			
PART NO.		V23529-A****-C***-*-7427		OF 8	
Customer Drawing Nr. C 1393478-8					

1) nach DIN 41652 T.2 und T.4
 according to DIN 41652 p.2 and p.4

THIS INFORMATION IS CONFIDENTIAL AND PROPRIETARY TO TYCO ELECTRONICS CORPORATION AND ITS WORLDWIDE SUBSIDIARIES AND AFFILIATES. IT MAY NOT BE DISCLOSED TO ANYONE, OTHER THAN TYCO ELECTRONICS PERSONNEL, WITHOUT WRITTEN AUTHORIZATION FROM TYCO ELECTRONICS CORPORATION, HARRISBURG PENNSYLVANIA USA

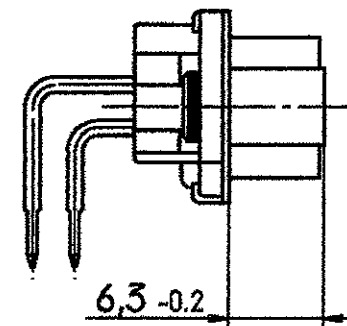
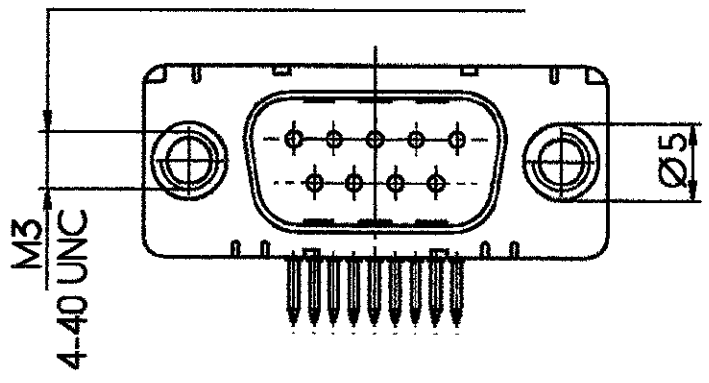
PROPRIETARY

THIS INFORMATION IS CONFIDENTIAL AND PROPRIETARY TO TYCO ELECTRONICS CORPORATION AND ITS WORLDWIDE SUBSIDIARIES AND AFFILIATES. IT MAY NOT BE DISCLOSED TO ANYONE OTHER THAN TYCO ELECTRONICS PERSONNEL, WITHOUT WRITTEN AUTHORIZATION FROM TYCO ELECTRONICS CORPORATION, HARRISBURG PENNSYLVANIA USA

mit Gewindebolzen: M3 V23529-A50x4-Cxxx-+

with threadlock 4-40 UNC V23529-A50x5-Cxxx-+

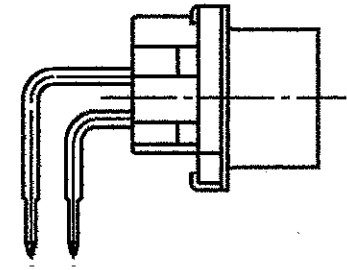
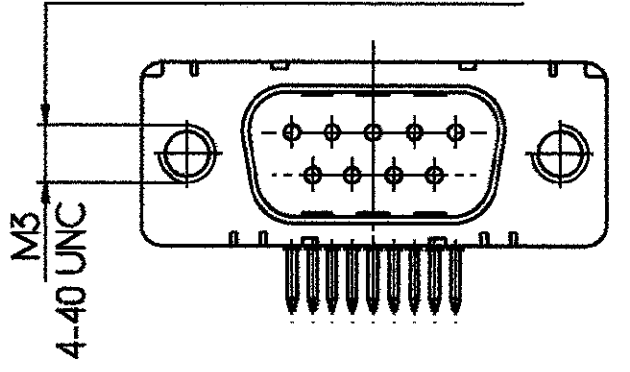
Verdrehsicherheit ≥ 70 Ncm
torsionresistance



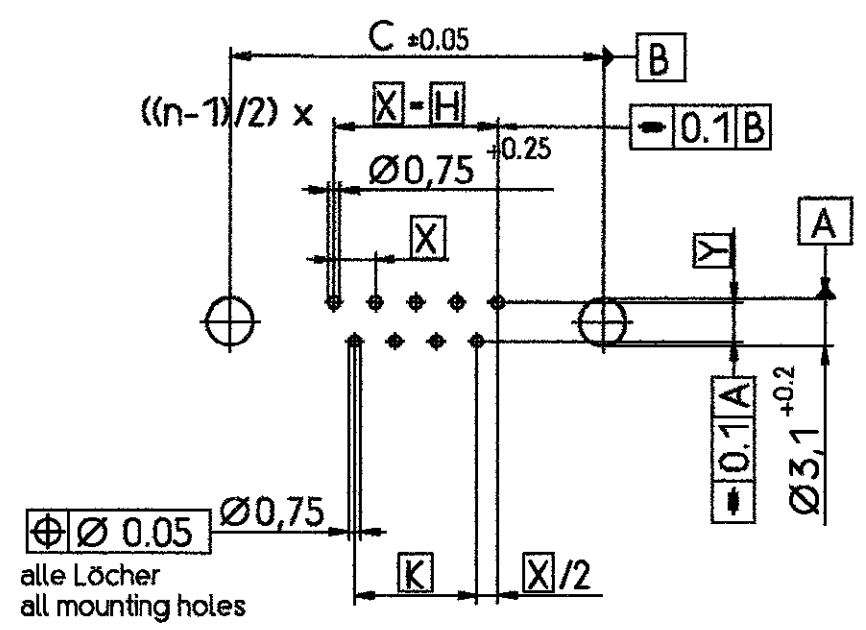
mit Gewinde: M3 V23529-A50x2-Cxxx-+

with thread 4-40 UNC V23529-A50x3-Cxxx-+

Verdrehsicherheit ≥ 70 Ncm
torsionresistance



Leiterplattenbohrung
PCB hole pattern



Mass Dimension	Polzahl n Number of contacts n			
	9	15	25	37
C	25	33.3	47.04	63.5
H	10.96	19.18	33.12	49.68
K	8.22	16.44	30.36	46.92
X	2.74	2.74	2.76	2.76
Y	2.54 oder or 2.84			

1) nach DIN 41652 T.2 und T.4
according to DIN 41652 p.2 and p.4

tyco		TYCO ELECTRONICS CORPORATION		SCALE 2:1		WEIGHT	
Electronics		OOSTKAMP - BELGIUM		DIMENSIONS IN MM		MATERIAL	
REV. CHANGE ORDER		DATE		APP.		PART NAME	
B2 EHI0-0531-05		14 APR 05		JvdH		Stiftleiste-90° Löt Ausführung	
B1 EHC0-0362-04		25 JUN 04		JvdH		(Variant 2 und 3) ¹⁾	
B EHI0-1460-03		03 DEC 03		JvdH		Pinconnector-90° solderversion	
A1 DU60-0081-00		04 SEP 00		KV		(Type 2 and 3) ¹⁾	
A WO 00/7003		26.05.00		VS		PART NO.	
09 WO97/2518		04.02.97		BTH		V23529-A****-C****-*-7427	
08 WO96/2515		15.04.96		BTH		SHT. 6+	
Customer Drawing Nr. C 1393478-8						OF 8	

PROPRIETARY

V 2 3 5 2 9 - A * * * * - C * * * - +

Winkelausführung Beschriftung	// bracket type // marking
1 Metallwinkel mit Hersteller-Beschriftung	// metal bracket // producer marking
2 Metallwinkel ohne Beschriftung	// metal bracket // no marking
3 Metallwinkel isoliert mit Hersteller-Beschriftung	// metal bracket insulated // producer marking
4 Metallwinkel isoliert ohne Beschriftung	// metal bracket insulated // no marking
5 ohne Metallwinkel mit Hersteller-Beschriftung	// without metal bracket // producer marking

Leiterplattenbefestigung // PCB mounting	
0	ohne LP-Befestigung // none
1	Loch Ø 3 // hole Ø 3
2	mit Clip // snap-in
3	mit Gewinde M3 // thread M3

SUFFIX	
-(ohne) (without)	Isolierteil grau RAL 7035 // insulation piece grey RAL 7035
S	Isolierteil schwarz RAL 9005 // insulation piece black RAL 9005
H	Isolierteil schwarz RAL 9005 // insulation piece black RAL 9005 Sonderbeschriftung H // customer marking H
T	Isolierteil schwarz hochtemperaturbeständig // insulation piece black // high temperature resistant

Polzahl	// No. of contacts
09	9 polig // 9-contacts
15	15 polig // 15-contacts
25	25 polig // 25-contacts
37	37 polig // 37-contacts

Anschlußvarianten // contact type	
1	Stiellänge 3,2 mm // pin length 3,2 mm Raster 2,84 x 2,76 // spacing 2,84 x 2,76
2	Stiellänge 3,2 mm // pin length 3,2 mm Raster 2,54 x 2,76 // spacing 2,54 x 2,76

Steckerbefestigung // connector mounting	
1	Loch Ø 3 // hole Ø 3
2	Gewinde M3 // thread M3
3	Gewinde 4-40UNC // thread 4-40UNC
4	Gewindebolzen M3 // stud bolt screwlock M3
5	Gewindebolzen 4-40UNC // stud bolt screwlock 4-40UNC

Kontaktfläche / Anforderungstufe // contact surface / performance level			
1	Au	/ Güte I	// Au / PL I
2	Au	/ Güte II	// Au / PL II

Steckerart // connector type	
C	Stiftleiste mit Schirnfiederung // pinconnector with grounding fingers

THIS INFORMATION IS CONFIDENTIAL AND PROPRIETARY TO TYCO ELECTRONICS CORPORATION AND ITS WORLDWIDE SUBSIDIARIES AND AFFILIATES. IT MAY NOT BE DISCLOSED TO ANYONE, OTHER THAN TYCO ELECTRONICS PERSONEL, WITHOUT WRITTEN AUTHORIZATION FROM TYCO ELECTRONICS CORPORATION, HARRISBURG PENNSYLVANIA USA.

1) nach DIN 41652 T.2 und T.4
according to DIN 41652 p.2 and p.4

tyco TYCO ELECTRONICS CORPORATION		SCALE		WEIGHT
OOSTKAMP - BELGIUM		MATERIAL		
LOC DIMENSIONS IN MM		PART NAME		
DATE 18.04.89	NAME Embo	Stiftleiste-90° Austauschführung		
APP. PD.COM		(Variant 2 und 3)		
		Pinconnector-90° solderversion		
		(Type 2 and 3) 1)		
TOLERANCE UNLESS SPECIFIED OTHERWISE		PART NO.		SEIT. 74
V23529-A****-C***-*-7427				
Customer Drawing Nr. C 1393478-8				OF 8

Active part numbers. Contact Tyco Electronics for other configuration availability

Old Part Number	Tyco Part Number	PRIMARY	SECONDARY
V23529-A1111-C109	1393478-8		
V23529-A1111-C209	1-1393478-0		
V23529-A1111-C215	1-1393478-1		
V23529-A1111-C225	1-1393478-2		
V23529-A1111-C237	1-1393478-3		
V23529-A1113-C209	2-1393478-4		
V23529-A1115-C209	3-1393478-0		
V23529-A1115-C215	3-1393478-1		
V23529-A1115-C225	3-1393478-2		
V23529-A1115-C237	3-1393478-3		
V23529-A1121-C209	4-1393478-4		
V23529-A1121-C215	4-1393478-5		
V23529-A1121-C237	4-1393478-6		
V23529-A1122-C115	5-1393478-4		
V23529-A1122-C209	5-1393478-5		
V23529-A1122-C237	5-1393478-6		
V23529-A1123-C209	6-1393478-3		
V23529-A1123-C215	6-1393478-4		
V23529-A1123-C225	6-1393478-5		
V23529-A1123-C237	6-1393478-6		
V23529-A1124-C109	7-1393478-3		
V23529-A1125-C209	8-1393478-0		
V23529-A1125-C237	8-1393478-1		
V23529-A1215-C209	1393479-4		
V23529-A1221-C109	1-1393479-4		
V23529-A1221-C215	1-1393479-8		
V23529-A1221-C225	1-1393479-9		
V23529-A1222-C109	3-1393479-1		
V23529-A1222-C209	3-1393479-3		
V23529-A1222-C215	3-1393479-4		
V23529-A1222-C225	3-1393479-5		
V23529-A1222-C237	3-1393479-6		
V23529-A1223-C109	4-1393479-2		
V23529-A1223-C209	4-1393479-3		
V23529-A1223-C215	4-1393479-4		
V23529-A1223-C225	4-1393479-5		
V23529-A1223-C237	4-1393479-6		
V23529-A1225-C209	6-1393479-4		
V23529-A1225-C215	6-1393479-5		
V23529-A1225-C225	6-1393479-6		
V23529-A1112-C225	2-1393478-1		

Old Part Number	Tyco Part Number	PRIMARY	SECONDARY
V23529-A1225-C237	6-1393479-7		
V23529-A3113-C209	7-1393479-7	OBSOLETE	
V23529-A3121-C109	8-1393479-6	OBSOLETE	
V23529-A3121-C209	8-1393479-8	SUPERSEDED	5-338168-2
V23529-A3121-C215	8-1393479-9	SUPERSEDED	5-338169-2
V23529-A3121-C225	9-1393479-0	SUPERSEDED	5-338170-2
V23529-A3121-C237	9-1393479-1	SUPERSEDED	5-338171-2
V23529-A3122-C209	6-1393487-0		
V23529-A3122-C209	5-1393487-8	SUPERSEDED	7-338168-2
V23529-A3122-C215	5-1393487-9	SUPERSEDED	7-338169-2
V23529-A3122-C237	9-1393479-5	SUPERSEDED	7-338171-2
V23529-A3125-C109	9-1393479-8	OBSOLETE	
V23529-A3125-C209	1393480-1	SUPERSEDED	8-338168-2
V23529-A3125-C215	6-1393487-2	SUPERSEDED	8-338169-2
V23529-A3125-C225	6-1393487-3	SUPERSEDED	8-338170-2
V23529-A3125-C237	6-1393487-4	SUPERSEDED	8-338171-2
V23529-A3212-C209	1393480-4	OBSOLETE	
V23529-A3221-C209	6-1393487-9	SUPERSEDED	0-338168-2
V23529-A3221-C215	7-1393487-0	SUPERSEDED	0-338169-2
V23529-A3221-C225	7-1393487-1	SUPERSEDED	0-338170-2
V23529-A3221-C237	7-1393487-2	SUPERSEDED	0-338171-2
V23529-A3222-C209	7-1393487-7	SUPERSEDED	2-338168-2
V23529-A3222-C215	7-1393487-8	SUPERSEDED	2-338169-2
V23529-A3222-C225	7-1393487-9	SUPERSEDED	2-338170-2
V23529-A3222-C237	8-1393487-0	SUPERSEDED	2-338171-2
V23529-A3223-C209	1392010-9	SUPERSEDED	1-338168-2
V23529-A3223-C215	1-1393480-1	SUPERSEDED	1-338169-2
V23529-A3223-C225	1-1392010-0	SUPERSEDED	1-338170-2
V23529-A3223-C237	1-1392010-1	SUPERSEDED	1-338171-2
V23529-A3225-C209	1-1393480-5	SUPERSEDED	3-338168-2
V23529-A3225-C215	8-1393487-5	SUPERSEDED	3-338169-2
V23529-A3225-C225	8-1393487-6	SUPERSEDED	3-338170-2
V23529-A3225-C237	8-1393487-7	SUPERSEDED	3-338171-2
V23529-A3213-C209	1393480-8	OBSOLETE	
V23529-A3111-C209	7-1393479-1	OBSOLETE	
V23529-A3113-C209	7-1393479-7	OBSOLETE	
V23529-A3113-C215	7-1393479-9	OBSOLETE	
V23529-A3122-C225	9-1393479-4	SUPERSEDED	7-338170-2
V23529-A3125-C137	9-1393479-9	OBSOLETE	

1) nach DIN 41652 T.2 und T.4 according to DIN 41652 p.2 and p.4

tyco Tyco Electronics Corporation		SCALE		WEIGHT	
Oostkamp - Belgium		DIMENSIONS IN MM		MATERIAL	
DATE 18.04.89		PART NAME		Stiftleiste-90° Löt Ausführung (Variant 2 und 3) ¹⁾ Pinconnector-90° solderversion (Type 2 and 3) ¹⁾	
NAME Embo		PART NO.			
DEP. PD COM		V23529-A****-C***-*-7427			
TOLERANCE UNLESS SPECIFIED OTHERWISE		SHT. 8-		REV. CHANGE ORDER DATE APP. Customer Drawing Nr. C 1393478-8	

THIS INFORMATION IS CONFIDENTIAL AND PROPRIETARY TO TYCO ELECTRONICS CORPORATION AND ITS WORLDWIDE SUBSIDIARIES AND AFFILIATES. IT MAY NOT BE DISCLOSED TO ANYONE, OTHER THAN TYCO ELECTRONICS PERSONNEL, WITHOUT WRITTEN AUTHORIZATION FROM TYCO ELECTRONICS CORPORATION, HARRISBURG, PENNSYLVANIA, USA.

PROPRIETARY