

THIS DRAWING IS UNPUBLISHED. RELEASED FOR PUBLICATION  
 © COPYRIGHT BY TYCO ELECTRONICS CORPORATION. ALL RIGHTS RESERVED.

LOC	DIST	REVISIONS			
P	LTR	DESCRIPTION	DATE	DWN	APVD
AD	00	B	REVISED PER ECO-08-010684	5/5/08	SS MM

SPECIFICATIONS:

MATERIALS-

INSULATOR: UL94V-0 (SEE TABLE FOR MATERIAL)  
 CONTACT: BERYLLIUM COPPER (SEE TABLE FOR PLATING)

ELECTRICAL-

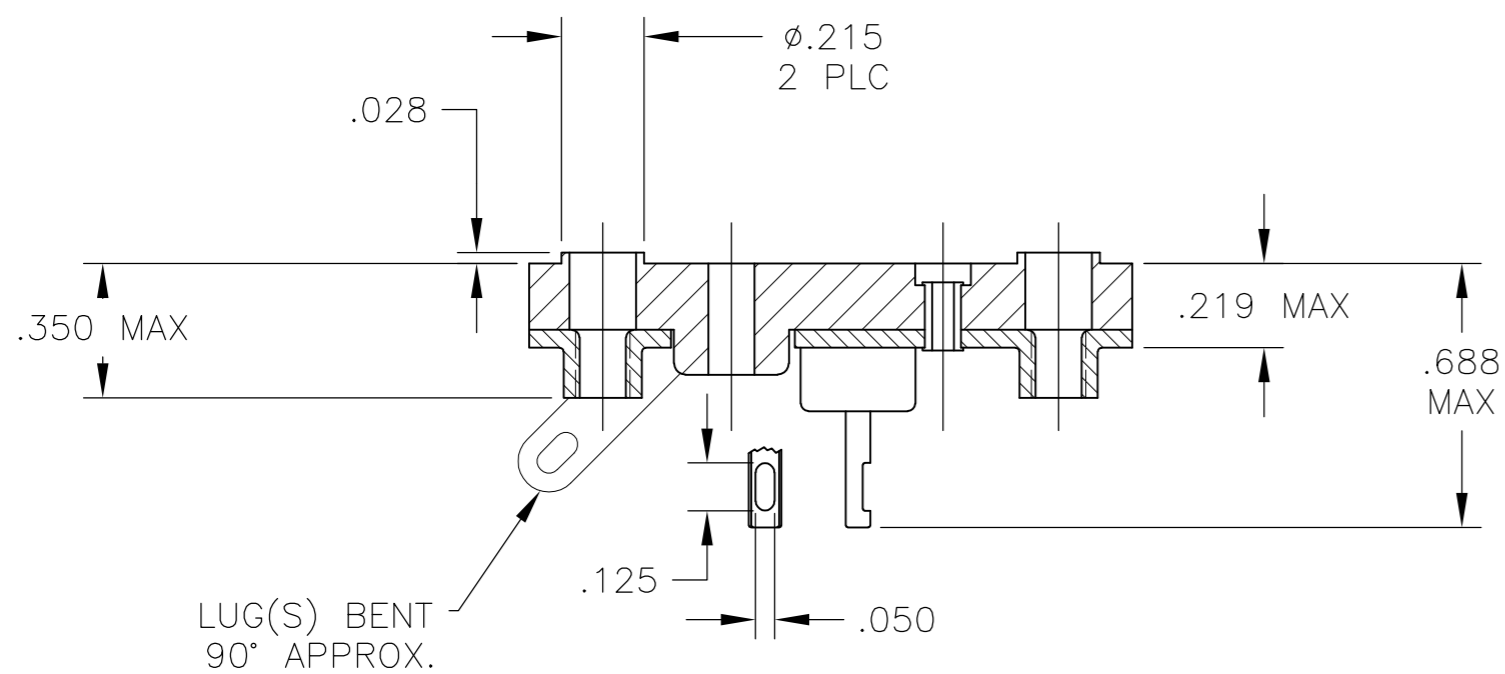
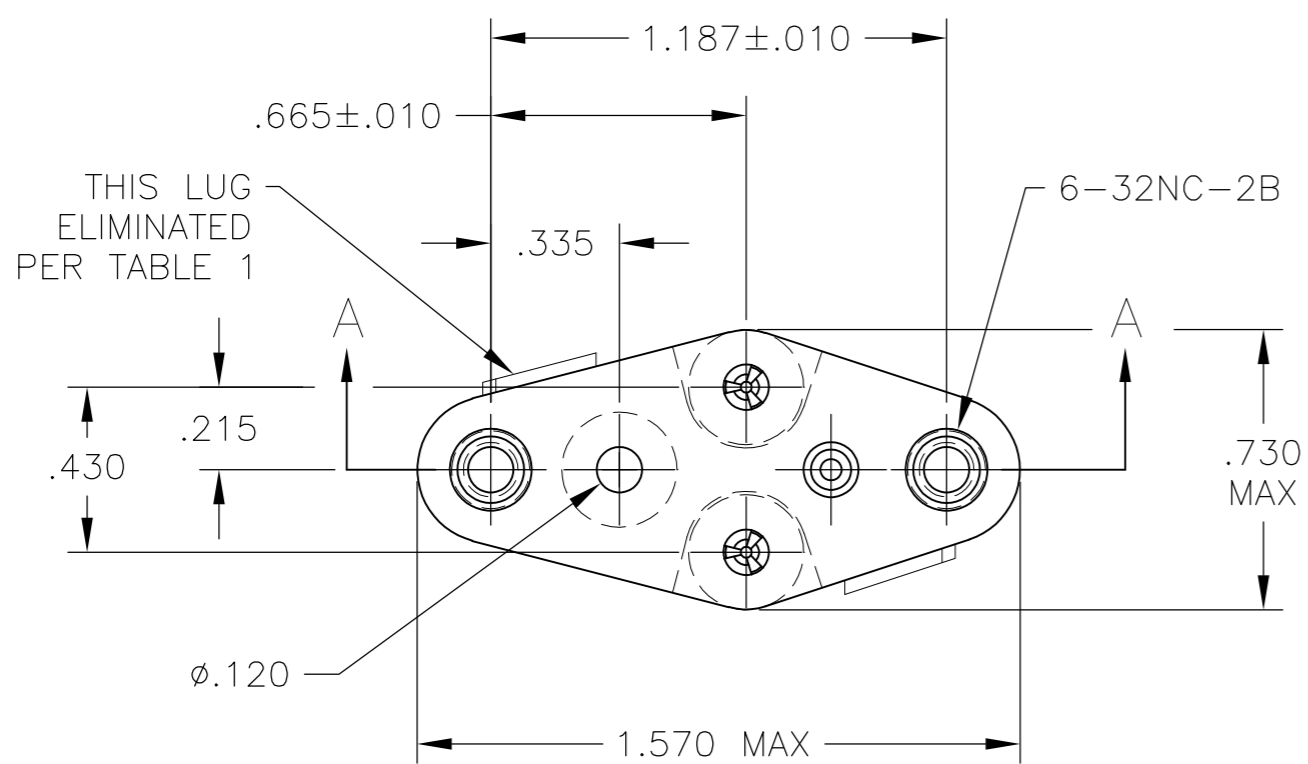
CONTACT RESISTANCE: GOLD - 15 MILLIOHMS, PER MIL-STD-12883  
 TIN - 25 MILLIOHMS MAX  
 CONTACT RATING: 10 AMPS DC  
 DIELECTRIC WITHSTANDING VOLTAGE- 1500 VOLTS(RMS)

MECHANICAL-

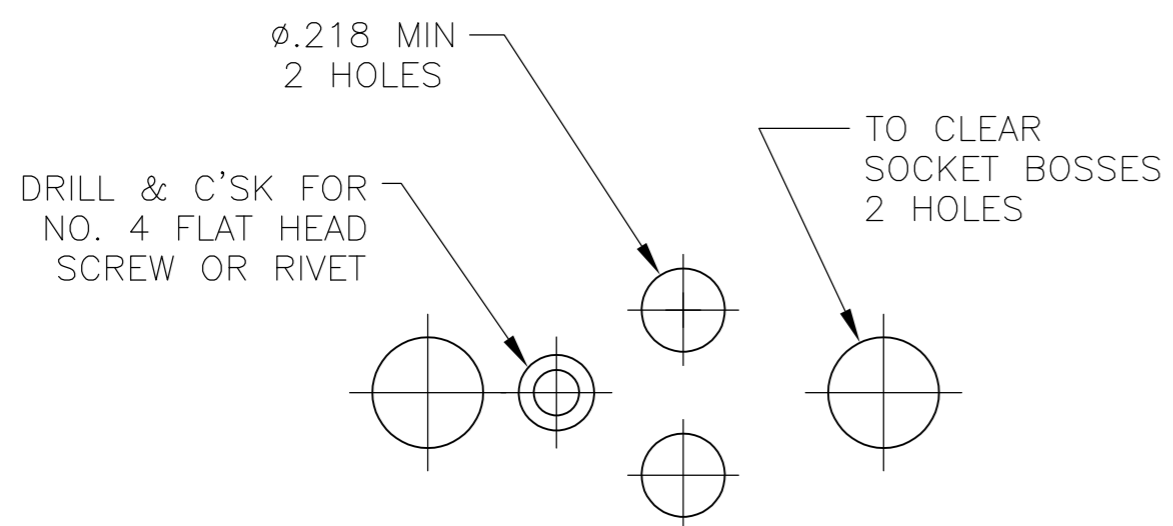
OPERATIONAL TEMPERATURE: DAP -67F TO +257F  
 (-55C TO +125C)

NOTES

1. INTERPRET DRAWING PER ASME Y14.5M-1994.
2. THIS ASSEMBLY IS INTENDED FOR USE WITH SEMI-CONDUCTORS PACKAGED WITHIN THE OUTLINE DIMENSIONS OF THE "TO-3".
3. LUG(S) IS AN INTERNAL PART OF SADDLE.
4. .000200 MIN THK TIN-LEAD PLATE OVER .000100 MIN THK COPPER PLATE.
5. .000030 MIN THK GOLD PLATE OVER .000050 MIN THK NICKEL PLATE.
6. .000500 MIN THK SILVER PLATE.
7. .000050 MIN THK GOLD PLATE OVER .000050 MIN THK NICKEL PLATE.
8. .000200 MIN THK MATTE TIN PLATE OVER .000100 MIN THK COPPER PLATE.



SECTION A-A



RECOMMENDED CHASSIS HOLE LAYOUT

1	.060	DIALLYL PHTHALATE-GREEN OR BLUE	NOTE 5	8080-1G39-LF	9-1437504-9	
1	.060	DIALLYL PHTHALATE-GREEN OR BLUE	NOTE 6	8080-1G37-LF	9-1437504-8	
1	.060	PHENOLIC-BLACK	NOTE 6	8080-1G36-LF	6-6437504-2	
1	.060	DIALLYL PHTHALATE-GREEN OR BLUE	NOTE 8	8080-1G35-LF	9-1437504-7	
2	.060	DIALLYL PHTHALATE-GREEN OR BLUE	NOTE 5	8080-1G34-LF	9-1437504-6	
2	.060	PHENOLIC-BLACK	NOTE 5	8080-1G33-LF	9-1437504-5	
2	.060	PHENOLIC-BLACK	NOTE 6	8080-1G32-LF	9-1437504-4	
2	.060	DIALLYL PHTHALATE-GREEN OR BLUE	NOTE 8	8080-1G31-LF	9-1437504-3	
1	.040	DIALLYL PHTHALATE-GREEN OR BLUE	NOTE 5	8080-1G25-LF	9-1437504-1	
1	.040	DIALLYL PHTHALATE-GREEN OR BLUE	NOTE 8	8080-1G24-LF	9-1437504-0	
1	.060	DIALLYL PHTHALATE-GREEN OR BLUE	NOTE 5	8080-1G39	4-1437504-9	
1	.060	PHENOLIC-BLACK	NOTE 5	8080-1G38	-	
1	.060	DIALLYL PHTHALATE-GREEN OR BLUE	NOTE 6	8080-1G37	4-1437504-8	
1	.060	PHENOLIC-BLACK	NOTE 6	8080-1G36	6-1437504-2	
1	.060	DIALLYL PHTHALATE-GREEN OR BLUE	NOTE 4	8080-1G35	4-1437504-7	
2	.060	DIALLYL PHTHALATE-GREEN OR BLUE	NOTE 5	8080-1G34	4-1437504-6	
2	.060	PHENOLIC-BLACK	NOTE 5	8080-1G33	4-1437504-5	
2	.060	PHENOLIC-BLACK	NOTE 6	8080-1G32	4-1437504-4	
2	.060	DIALLYL PHTHALATE-GREEN OR BLUE	NOTE 4	8080-1G31	4-1437504-3	
1	.040	PHENOLIC-BLACK	NOTE 7	8080-1G30	-	
1	.040	PHENOLIC-BLACK	NOTE 6	8080-1G29	-	
2	.040	PHENOLIC-BLACK	NOTE 7	8080-1G28	-	
2	.040	PHENOLIC-BLACK	NOTE 6	8080-1G27	-	
1	.040	DIALLYL PHTHALATE-GREEN OR BLUE	NOTE 5	8080-1G25	4-1437504-1	
1	.040	DIALLYL PHTHALATE-GREEN OR BLUE	NOTE 4	8080-1G24	4-1437504-0	
2	.040	DIALLYL PHTHALATE-GREEN OR BLUE	NOTE 4	8080-1G23	-	
LUG QTY (SEE NOTE 3)	LEAD DIA +.003/- .002	INSULATOR MATERIAL		CONTACT PLATING	AUGAT PT. NO.	PART NUMBER

THIS DRAWING IS A CONTROLLED DOCUMENT.

DWN R BROWN 11APR03	Tyco Electronics Corporation Harrisburg, PA 17105-3608
CHK K WRIGHT 11APR03	
APVD K WRIGHT 11APR03	
NAME K WRIGHT	
DIMENSIONS: INCHES TOLERANCES UNLESS OTHERWISE SPECIFIED: 0 PLC ± - 1 PLC ± - 2 PLC ± - 3 PLC ± - 4 PLC ± - ANGLES ± - FINISH -	
MATERIAL: - WEIGHT: - CUSTOMER DRAWING	
SIZE: A2 CAGE CODE: 00779 DRAWING NO: 4-1437504-0 RESTRICTED TO: - SCALE: 2:1 SHEET: 1 of 1 REV: B	