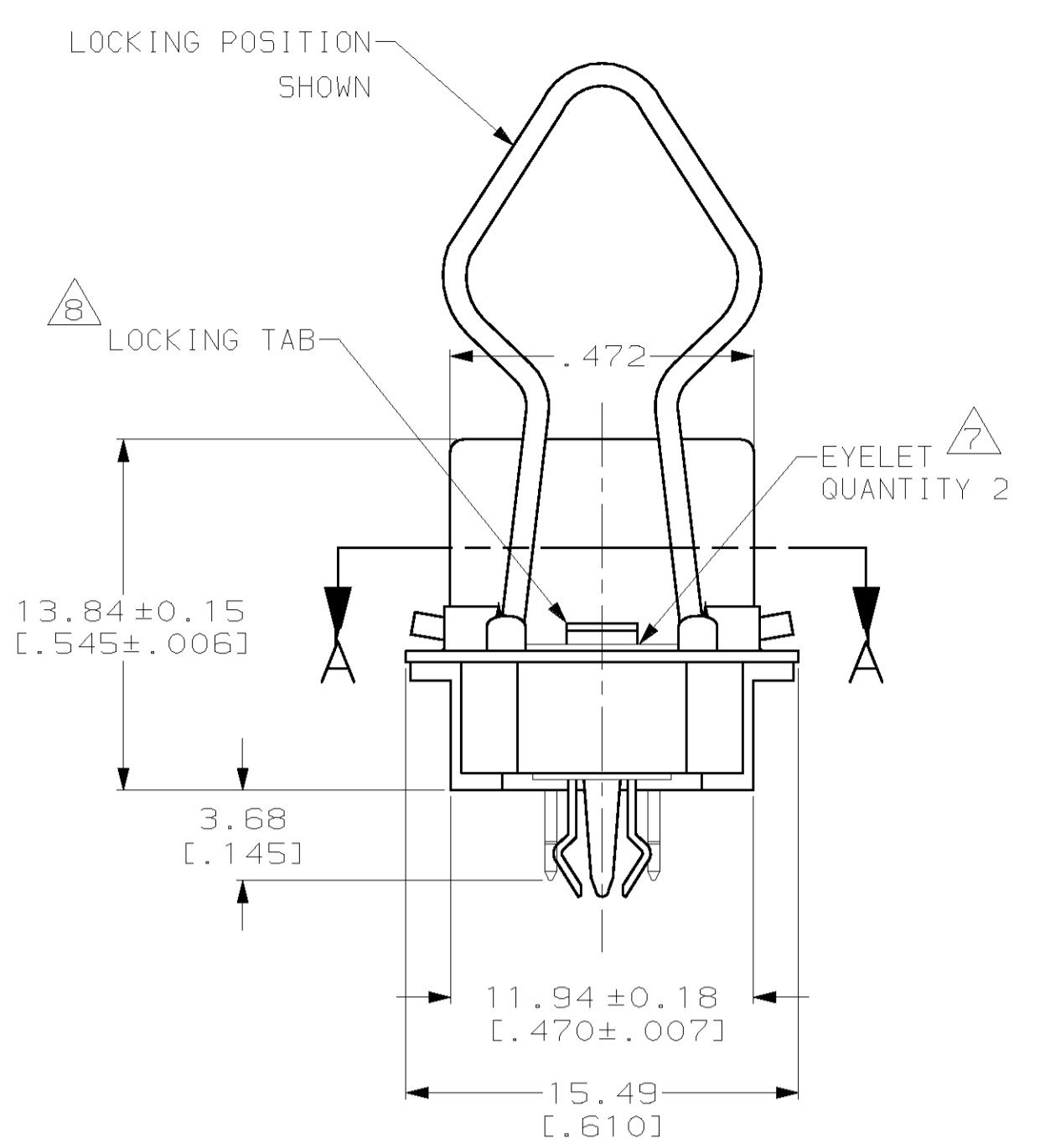
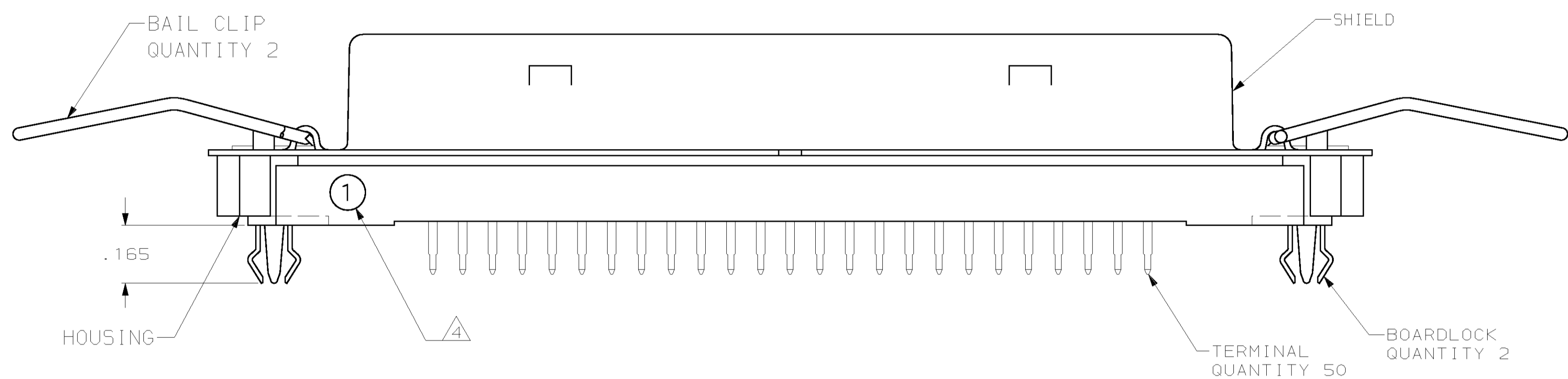
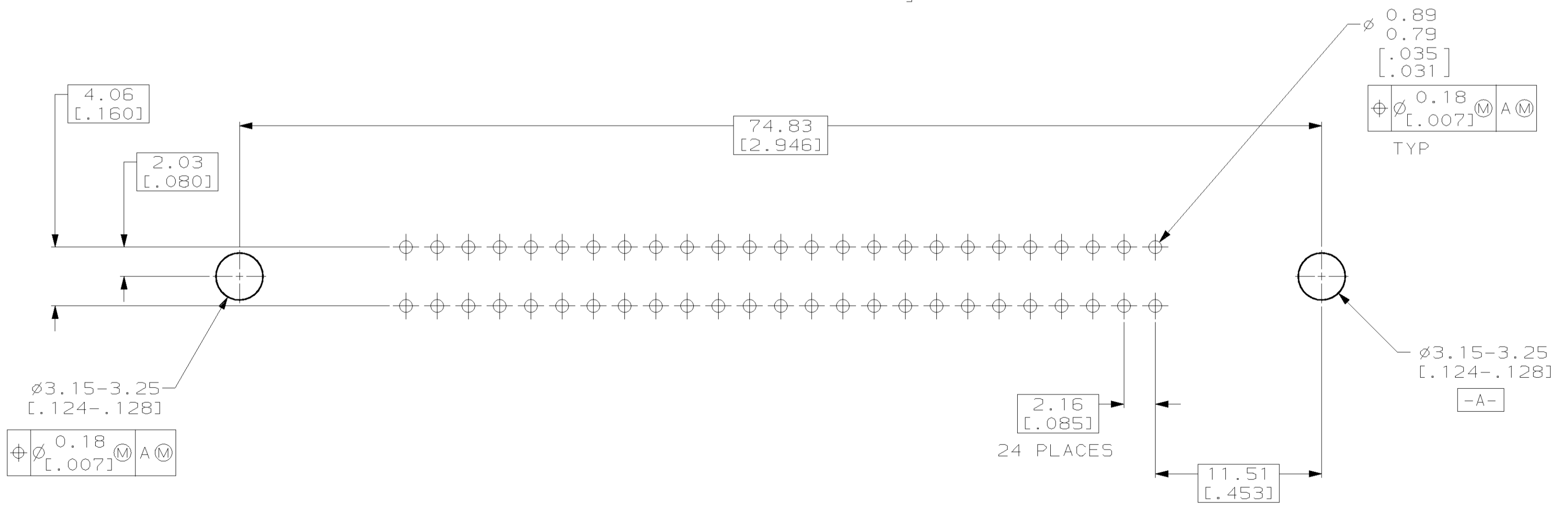
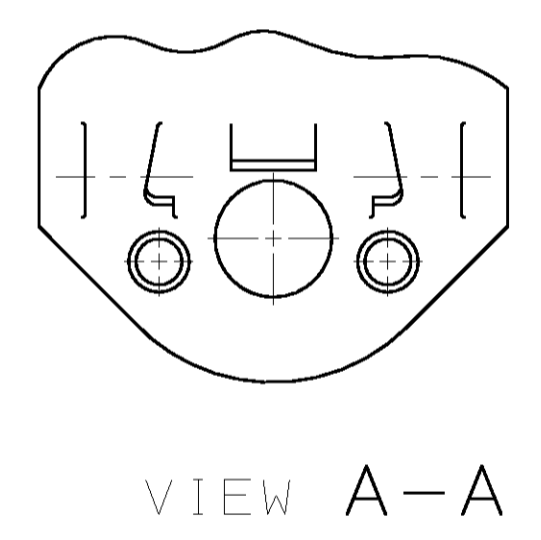
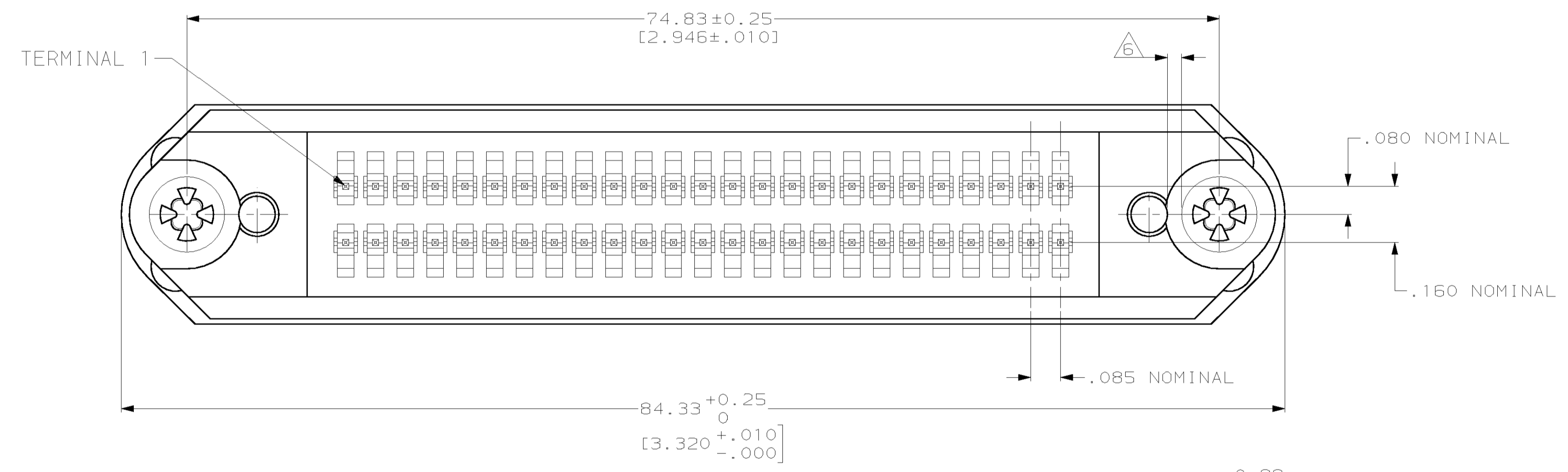


LOC	DIST	REVISIONS			
F	CHR	DESCRIPTION	DATE	OWN	APVD
A		REVISED, EC 001D-0012-99	18AUG99	DLD	EWB



- ⚠ MATERIAL: HOUSING - POLYESTER, BLACK. TERMINAL - COPPER ALLOY PLATED WITH 0.76µm [0.00030] MINIMUM GOLD ON MATING SURFACE AND 3.81µm [0.000150] MINIMUM MATTE TIN-LEAD SOLDER PIN AREA OVER 1.27µm [0.00050] MINIMUM NICKEL UNDERPLATE OVER ENTIRE TERMINAL. SHIELD - CARBON STEEL, PLATED BRIGHT NICKEL 2.54µm [0.000100] MINIMUM. BAIL CLIP - PASSIVATED STAINLESS STEEL. BOARDLOCK - COPPER ALLOY WITH 5.08µm [0.000200] MINIMUM TIN-LEAD OVER 1.27µm [0.00050] MINIMUM NICKEL UNDERPLATE. EYELET - BRASS WITH 1.02µm [0.00040] MINIMUM STANNATE TIN ELECTROPLATE.
- ⚠ TOLERANCES ARE: ±0.13 [0.005] UNLESS OTHERWISE SPECIFIED.
- 3. THE CONTACT SURFACES OF THE TERMINALS ARE COATED WITH LUBRICANT.
- ⚠ "1" ON HOUSING INDICATES LOCATION OF TERMINAL 1.
- ⚠ .04 INCH MINIMUM BETWEEN EYELET HEAD AND .10 DIAMETER HOLE IN HOUSING, 2 PLACES.
- ⚠ EYELET SHALL PROVIDE A CONTINUOUS AND RELIABLE GROUND PATH THROUGH THE BOARDLOCK.
- ⚠ LOCKING TAB RETAINS ENDS OF BAILS IN SHIELD LOCATORS.



PRINTED CIRCUIT BOARD MOUNTING DIMENSIONS

406874-1 PART NUMBER

THIS DRAWING IS A CONTROLLED DOCUMENT.		DWG: DL DRUMMOND 05 MAY 97 CHK: DL DRUMMOND 09 MAY 97 APVD: FL FLAHERTY 09 MAY 97	AMP Incorporated Harrisburg, PA 17105-3608
DIMENSIONS: mm [INCHES]	TOLERANCES UNLESS OTHERWISE SPECIFIED: 0 PLC ±. 1 PLC ±. 2 PLC ±. 3 PLC ±. 4 PLC ±. DIMENES ±.	NAME: RECEPTACLE ASSEMBLY, 50 POSITION, BOARDLOCK, SHIELDED, LOW PROFILE, VERTICAL MOUNTING, WITH LOCKING TAB PRODUCT SPEC: - APPLICATION SPEC: - WEIGHT: - CUSTOMER DRAWING	SCALE: 4:1 SHEET: 1 OF 1 REV: A