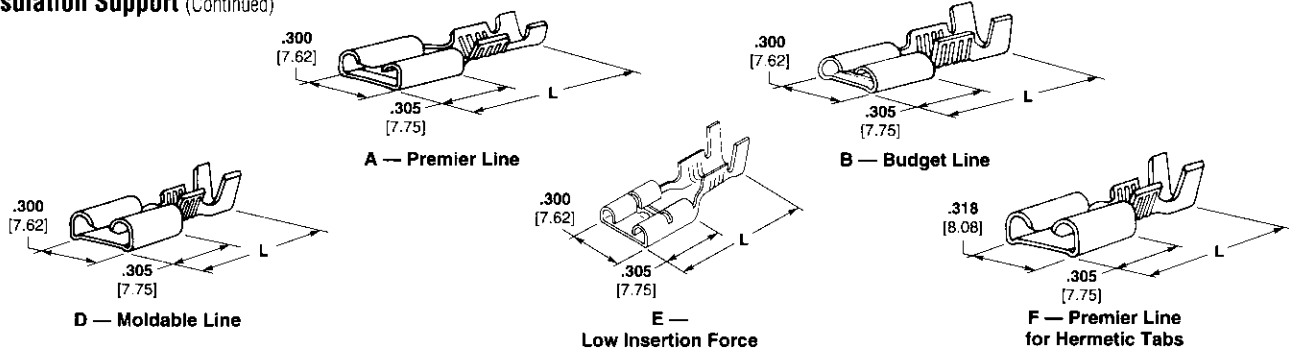


**250 Series Receptacles** (Continued)

FASTON Receptacles

**Straight Receptacles,  
Insulation Support** (Continued)



| Wire Range<br>AWG | Style | Tab<br>Fit   | Insulation<br>Diameter                          | Material<br>and Finish  | Stock<br>Thickness | L<br>(Overall Length) | UL | RU | CSA | Terminal<br>Part Number |
|-------------------|-------|--------------|---|-------------------------|--------------------|-----------------------|----|----|-----|-------------------------|
| 18-14             | E     | .032<br>0.81 | .120-.170<br>3.05-4.32                          | Brass                   | .016<br>0.41       | .755<br>19.18         | X  | —  | X   | 63306-1                 |
|                   |       | .032<br>0.81 | .120-.170<br>3.05-4.32                          | Brass,<br>Tin Plated    | .016<br>0.41       | .755<br>19.18         | X  | —  | X   | 63306-2                 |
|                   | F     | .032<br>0.81 | .120-.170<br>3.05-4.32                          | Brass                   | .018<br>0.46       | .750<br>19.05         | X  | —  | X   | 62500-1 <sup>8</sup>    |
|                   |       | .032<br>0.81 | .120-.170<br>3.05-4.32                          | Brass,<br>Tin Plated    | .018<br>0.46       | .750<br>19.05         | X  | —  | X   | 62500-2 <sup>8</sup>    |
|                   |       | .032<br>0.81 | .120-.170<br>3.05-4.32                          | Phos Brz,<br>Tin Plated | .018<br>0.46       | .750<br>19.05         | X  | —  | X   | 41774 <sup>9</sup>      |
|                   |       | .032<br>0.81 | .120-.170<br>3.05-4.32                          | Phos Brz,<br>Tin Plated | .018<br>0.46       | .750<br>19.05         | X  | —  | X   | 41774 <sup>9</sup>      |
| 16-12<br>(2) 16   | B     | .032<br>0.81 | .160-.210<br>4.06-5.33<br>(2) .130<br>3.30      | Brass                   | .016<br>0.41       | .750<br>19.05         | X  | —  | X   | 63896-1                 |
| 16-12             | A     | .032<br>0.81 | .210-.265<br>5.33-6.73                          | Steel,<br>Nickel Plated | .018<br>0.46       | .830<br>21.08         | —  | X  | X   | 42579-1                 |
| 16-12<br>(2) 18   | A     | .032<br>0.81 | .210-.265<br>5.33-6.73<br>(2) .120<br>3.05 Max. | Brass                   | .018<br>0.46       | .820<br>20.93         | X  | —  | X   | 41727                   |
|                   |       |              |   | Brass,<br>Tin Plated    | .018<br>0.46       | .820<br>20.93         | X  | —  | X   | 41728                   |
|                   | E     | .032<br>0.81 | .210-.265<br>5.33-6.73<br>(2) .120<br>3.05 Max. | Brass                   | .018<br>0.46       | .755<br>19.18         | X  | —  | X   | 63757-1                 |
|                   |       |              |   | Steel,<br>Nickel Plated | .018<br>0.46       | .755<br>19.18         | X  | —  | X   | 63757-2                 |
| 14-10             | A     | .032<br>0.81 | .150<br>3.81                                    | Brass                   | .018<br>0.46       | .770<br>19.56         | X  | —  | X   | 41449 <sup>4</sup>      |
|                   |       |              |   | Brass,<br>Tin Plated    | .018<br>0.46       | .770<br>19.56         | X  | —  | X   | 41450 <sup>4</sup>      |
|                   | B     | .032<br>0.81 | .150-.200<br>3.81-5.08                          | Brass,<br>Silver Plated | .018<br>0.46       | .750<br>19.05         | X  | —  | X   | 61095-1 <sup>4</sup>    |
|                   |       |              |   | Brass,<br>Silver Plated | .018<br>0.46       | .755<br>19.18         | X  | —  | X   | 63435-1 <sup>4,7</sup>  |
|                   | E     | .032<br>0.81 | .150-.200<br>3.81-5.08                          | Brass                   | .018<br>0.46       | .775<br>19.69         | X  | —  | X   | 63365-1 <sup>4</sup>    |
|                   |       |              |   | Brass,<br>Tin Plated    | .018<br>0.46       | .775<br>19.69         | X  | —  | X   | 63365-2 <sup>4</sup>    |
|                   | F     | .032<br>0.81 | .150-.200<br>3.81-5.08                          | Brass,<br>Tin Plated    | .018<br>0.46       | .770<br>19.56         | X  | —  | X   | 42437-2 <sup>4,8</sup>  |
|                   |       |              |   | Phos Brz,<br>Tin Plated | .018<br>0.46       | .770<br>19.56         | X  | —  | X   | 42437-5 <sup>4,9</sup>  |
| 14-10<br>(2) 14   | A     | .032<br>0.81 | .225-.275<br>5.72-6.99<br>(2) .140<br>3.56      | Brass,<br>Tin Plated    | .018<br>0.46       | .775<br>19.69         | X  | —  | X   | 60635-1 <sup>4</sup>    |
|                   |       |              |   | Brass,<br>Silver Plated | .018<br>0.46       | .775<br>19.69         | X  | —  | X   | 60635-2 <sup>4</sup>    |
|                   |       |              |   | Brass                   | .018<br>0.46       | .775<br>19.69         | X  | —  | X   | 60635-3 <sup>4</sup>    |
|                   | D     | .032<br>0.81 | .225-.275<br>5.72-6.99<br>(2) .140<br>3.56      | Brass,<br>Tin Plated    | .018<br>0.46       | .750<br>19.05         | —  | —  | —   | 63419-1 <sup>4,7</sup>  |

<sup>1</sup> UL listed and CSA certified for 22 AWG.

<sup>2</sup> UL listed and CSA certified for 22-20 AWG.

<sup>3</sup> Mates with a .020 [0.51] thick tab.

<sup>4</sup> 9,600 CMA max.

<sup>5</sup> UL/CSA - 10 AWG only.

<sup>6</sup> .012 [.030] stock (multiple circuit housings).

<sup>7</sup> Stress relieved.

<sup>8</sup> Recommended for external use only.

<sup>9</sup> Recommended for internal or external use.