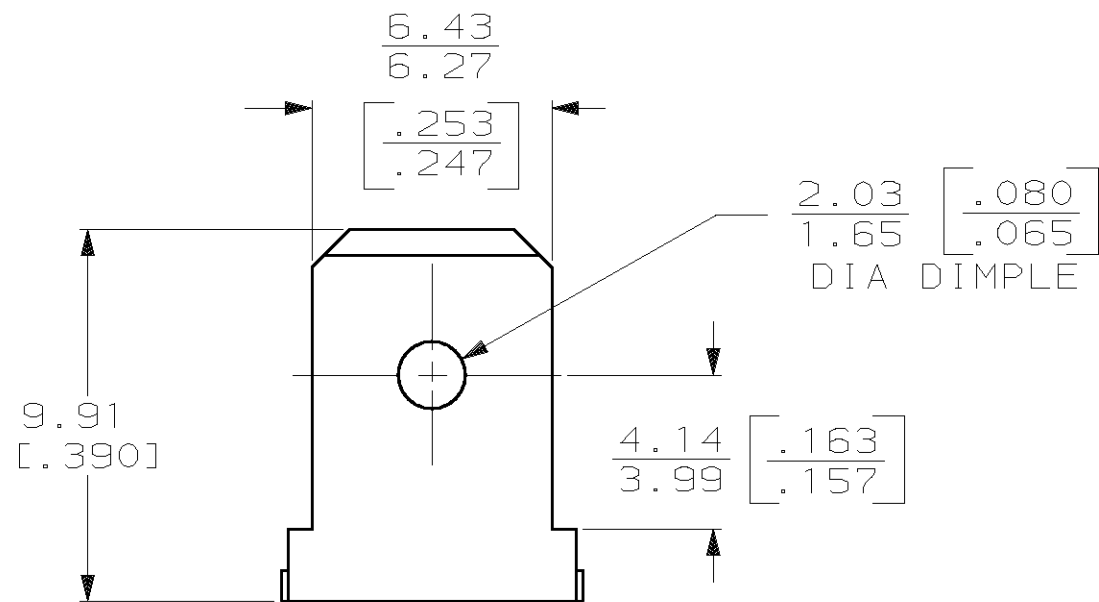
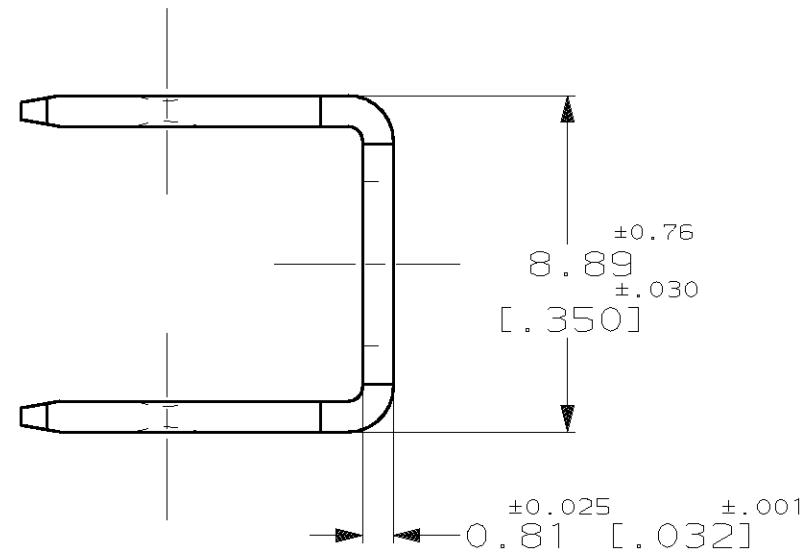
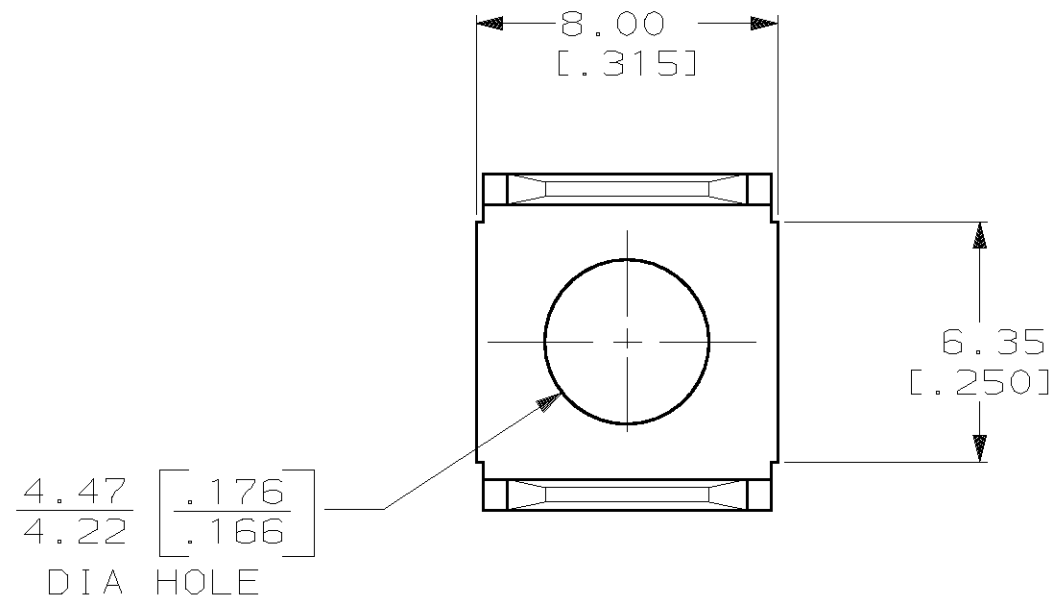


THIS DRAWING IS UNPUBLISHED. RELEASED FOR PUBLICATION, 19
 © COPYRIGHT 19 BY AMP INCORPORATED. ALL INTERNATIONAL RIGHTS RESERVED.

LOC	DIST	P	F	ZONE	LTR	DESCRIPTION	DATE	APPD
AF	50				AF	REV PER 0G3A-0130-02	11MAR02	JR

- 1 SUPPLIED IN LOOSE PIECE
- 2 GREEN DYE OVER ZINC
.000100 MIN PLATING.
- 3 PRELIMINARY - NOT FOR PRODUCTION



2	3	41619-3
		41619
FINISH		PART NO

DO NOT SCALE PRINT. UNLESS SPECIFIED DIMENSIONS IN mm [INCHES] TOLERANCES ON: 2 PLC DEC ± - 3 PLC DEC ± 0.38 [.015] ANGLES ± -	DR 12/2/91 JR RUTH	AMP AMP Incorporated Harrisburg, PA 17105-3608		
	CHK 12/2/91 MS FEHER			
	MATERIAL 082 BRASS	APPD 12/2/91 MEYERS	NAME TAB, FASTON, 6.35 [.250] SERIES	
	FINISH SEE TABLE	APPD 12/2/91 D REINER	PRODUCT SPEC -	
	APPLICATION SPEC -	SIZE B	CAGE CODE 00779	DRAWING NO 41619
	WEIGHT -	SCALE 5:1	SHEET 1 OF 1	