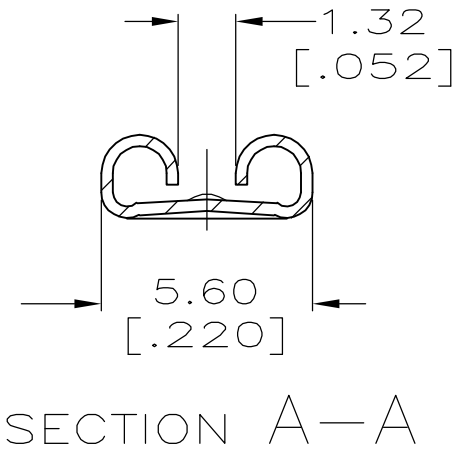
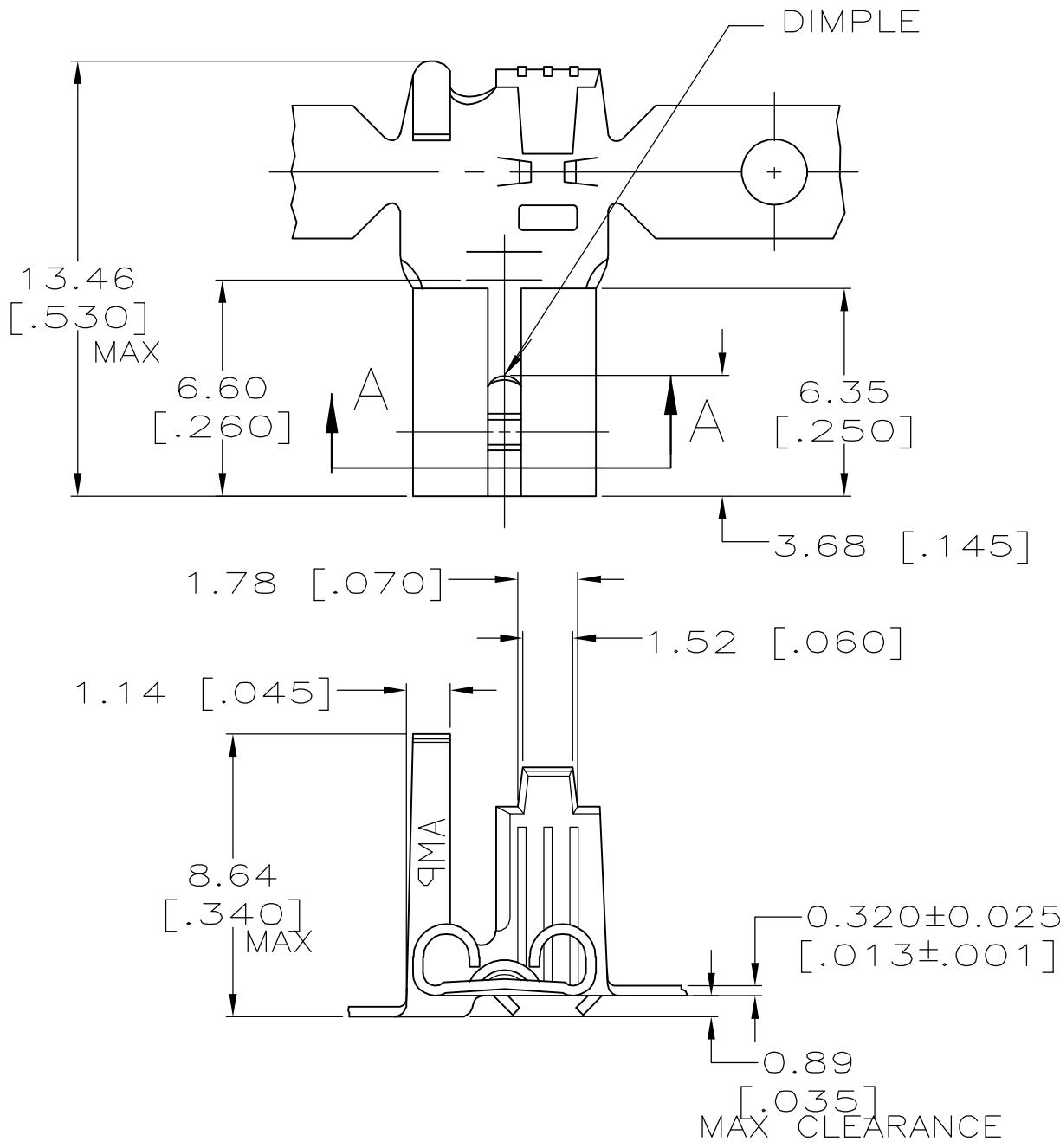


THIS DRAWING IS UNPUBLISHED. RELEASED FOR PUBLICATION
 © COPYRIGHT BY TYCO ELECTRONICS CORPORATION. ALL RIGHTS RESERVED.

LOC	DIST	REVISIONS			
P	LTR	DESCRIPTION	DATE	DWN	APVD
AF	50	E1	REV PER ECR 06-028943	13DEC06	JR PD

- CONTINUOUS STRIP ON REELS.
- ACCEPTS [#20-#16] AWG WIRE.
- INSULATION RANGE TO BE 2.79-4.32 [.110-.170] DIA.
- MATING TAB THICKNESS TO BE 0.51 ± 0.025 [.020 ± .001]
- FEED TO BE 16.38 ± 0.13 [.645 ± .005]



0.002032 [.000080] MIN TIN	42618-2
-	42618-1
FINISH	PART NO.

THIS DRAWING IS A CONTROLLED DOCUMENT.		DWN	JR RUTH	1/25/96	Tyco Electronics Corporation Harrisburg, PA 17105-3608	
DIMENSIONS: MM [INCHES]		CHK	P FORTNEY	1/25/96		
TOLERANCES UNLESS OTHERWISE SPECIFIED:		APVD	P DESANTIS	1/25/96	NAME	
0 PLC ± - 1 PLC ± - 2 PLC ± 0.38 [.015] 3 PLC ± - 4 PLC ± - ANGLES ± -		PRODUCT SPEC		RECEPTACLE, FASTON, FLAG, MOLDABLE, 4.75 [.187] SERIES		
MATERIAL		APPLICATION SPEC		RESTRICTED TO		
H04 BRASS		FINISH		SEE TABLE		
CUSTOMER DRAWING		WEIGHT	-	SIZE	A3	
SCALE		5:1	SHEET	1 OF 1	REV	
SCALE		5:1	SHEET	1 OF 1	REV	
SCALE		5:1	SHEET	1 OF 1	REV	