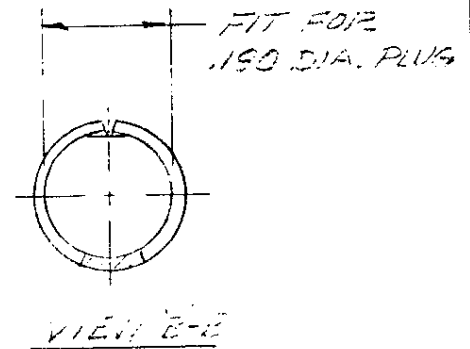
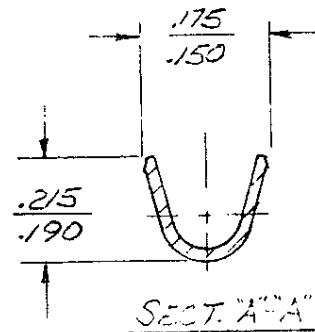
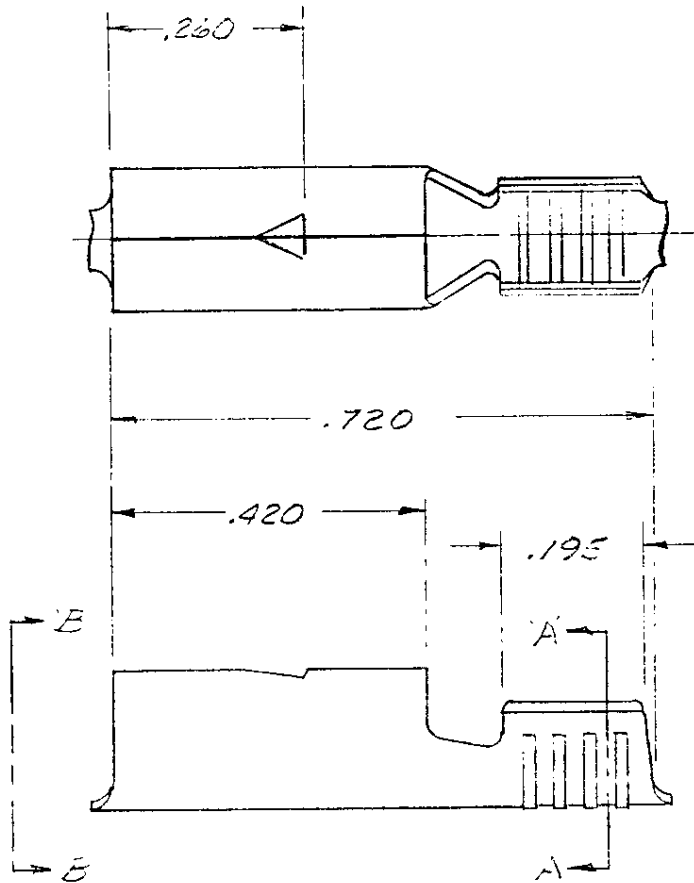


NUMBER 42868



CONTINUOUS STRIP ON REELS

PART NO.	FILM
42868-1	NOISE
42868-2	TIN
42868-3	1

△ .000050 MIN TIN PLATE OVER .00050 MIN NICKEL PLATE

DIMENSIONS IN INCHES DO NOT SCALE PRINT

PRINT DIST 150

©1976 BY AMP INCORPORATED. ALL RIGHTS RESERVED. AMP PRODUCTS COVERED BY PATENTS AND/OR PATENTS PENDING		CUSTOMER COPY REFERENCE ONLY	
MATERIAL AND FINISH		AMP INCORPORATED HARRISBURG, PENNA.	
H ADD -3 PER 0710-05M		.016 BRASS	
G REACTIVATE -2 HA1506		SEE TABLE	
F C.P.S. -2 1.5 559		CLASS ———	
E REDRAWN 4.47		WIRE — RANGE — INSULATION TYPE ———	
LTR REVISION RECORD ECN DR DATE		TOLERANCE EXCEPT AS NOTED ± .015 ± 1° 0'	
DR		SCALE ———	
CHK		LOC 15	
APP		NO A	
		REV H	
NAME .180 DIA. PLUG RECEPTACLE			