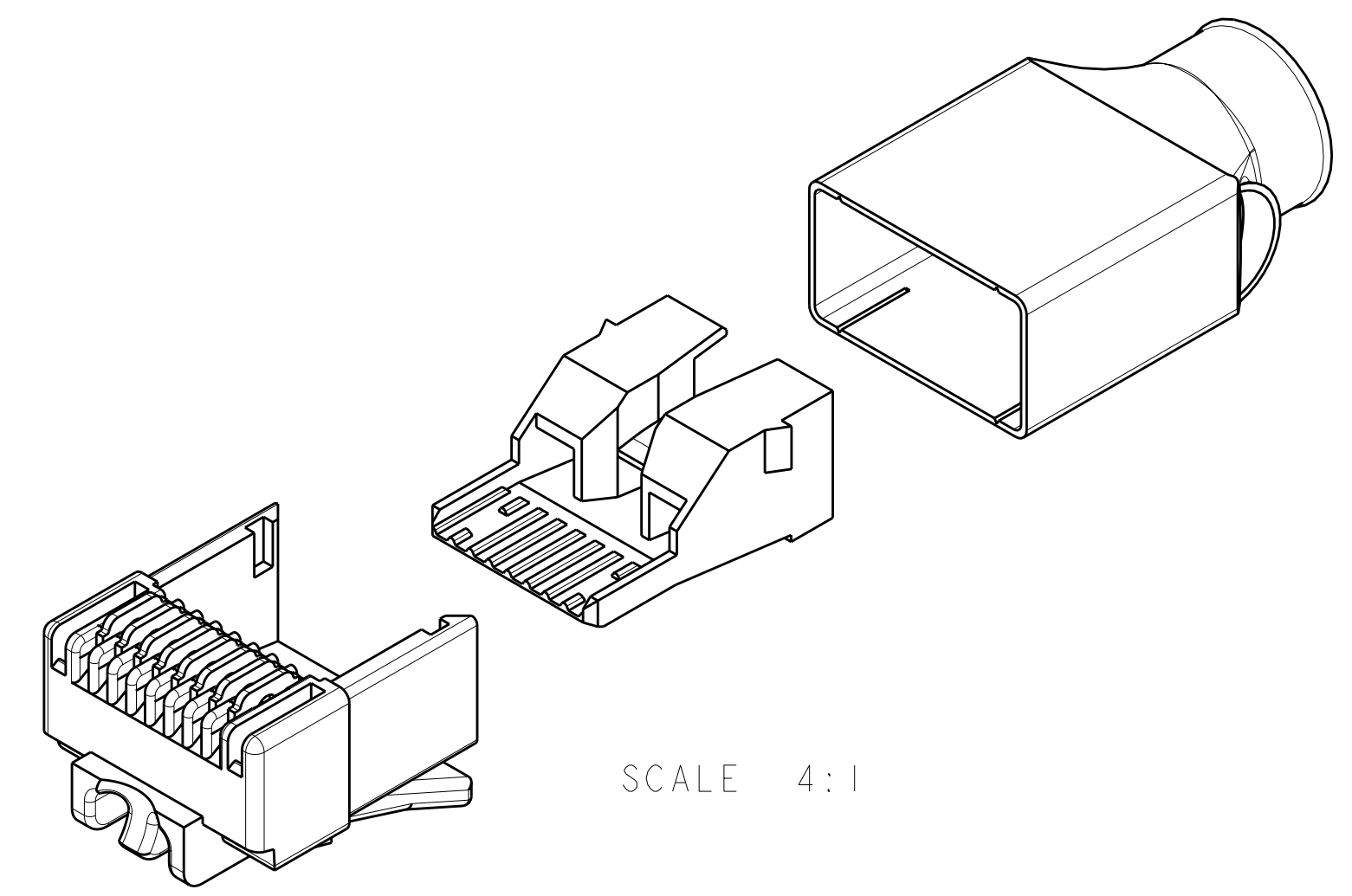
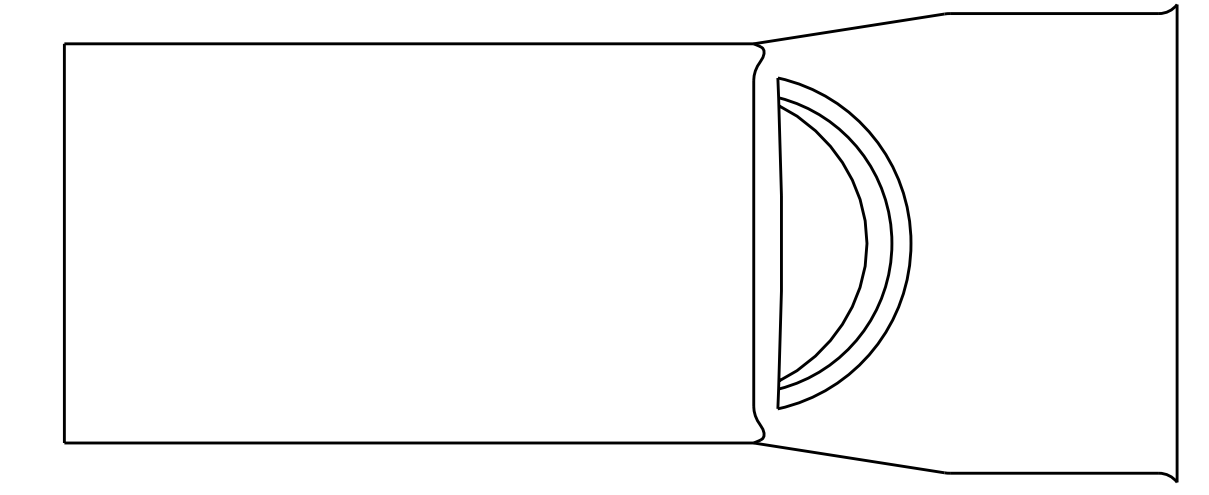
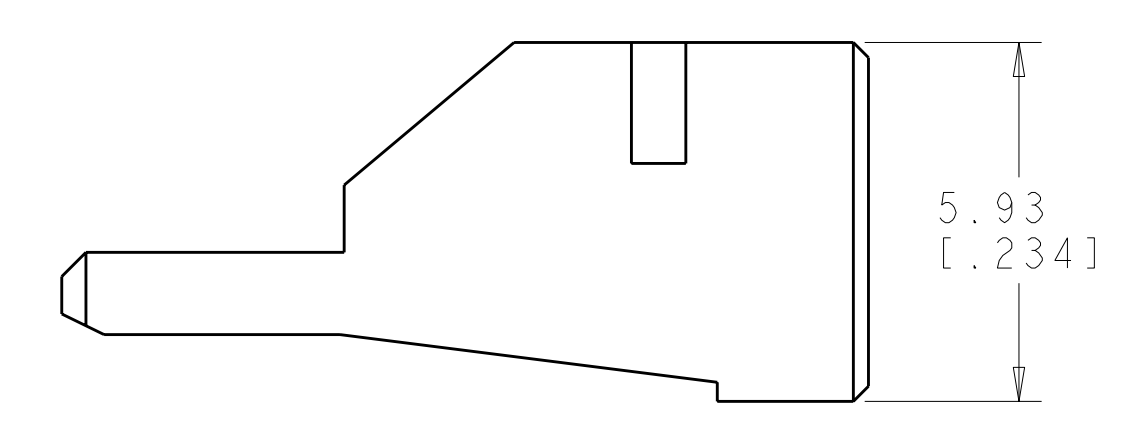
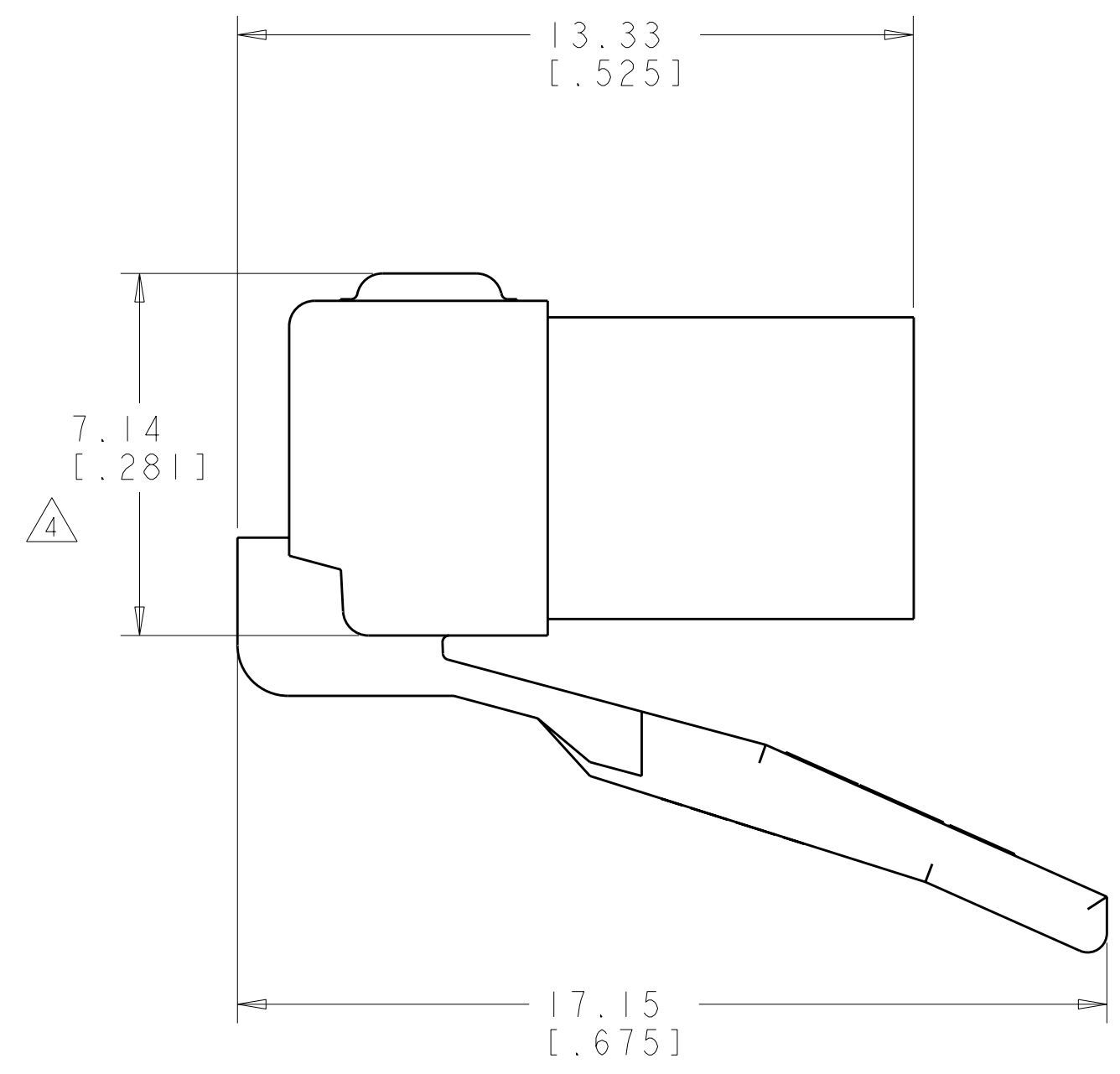
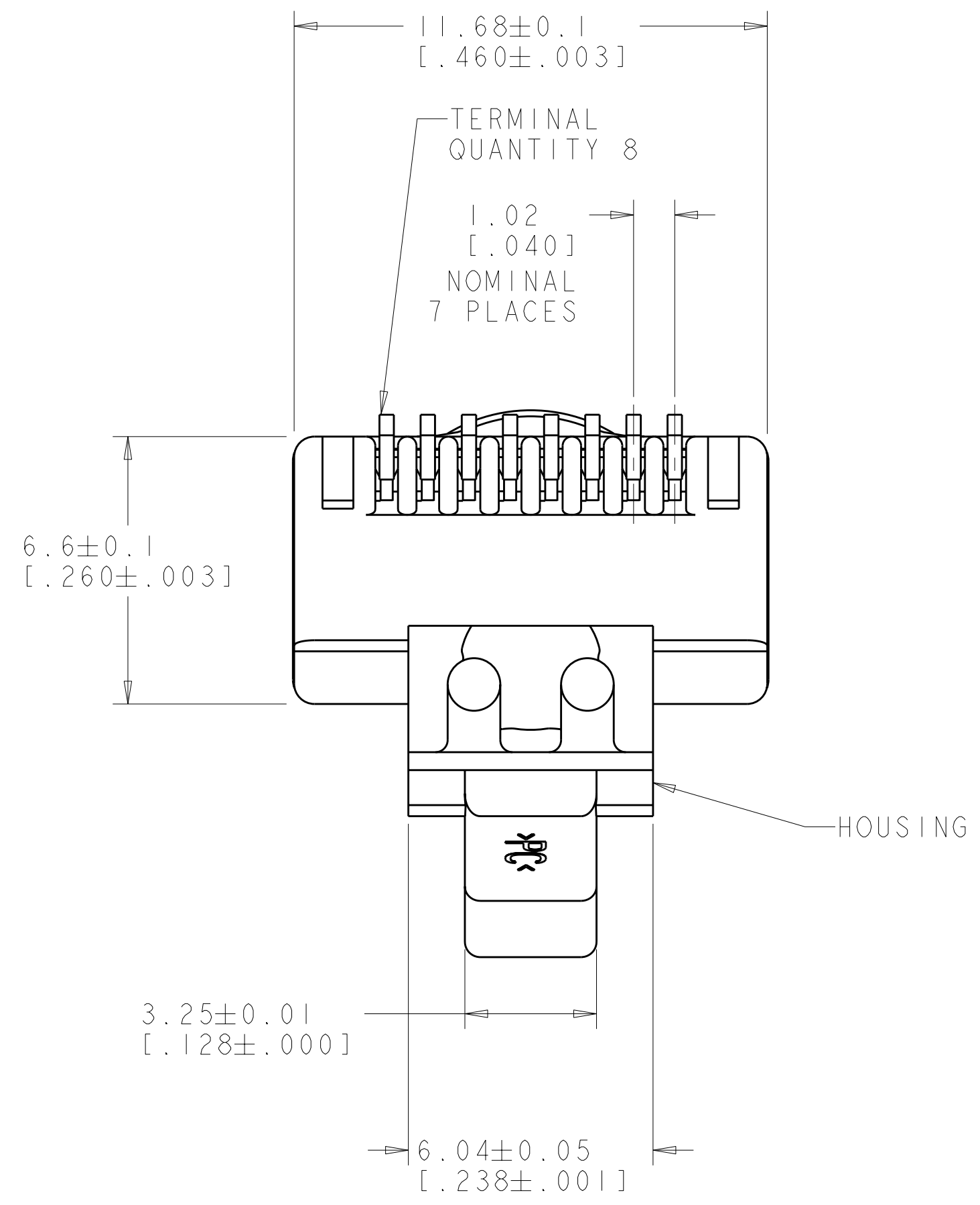
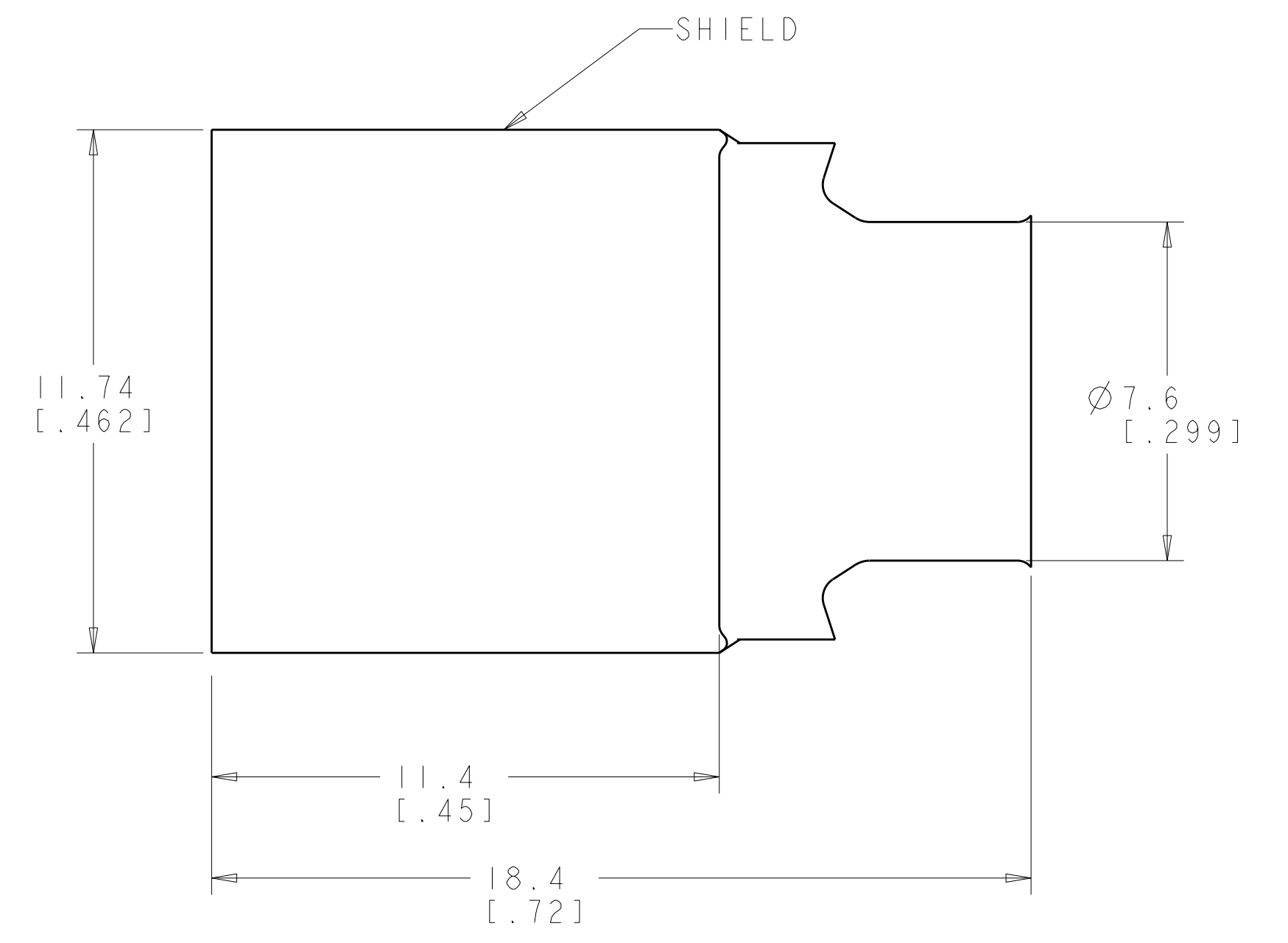
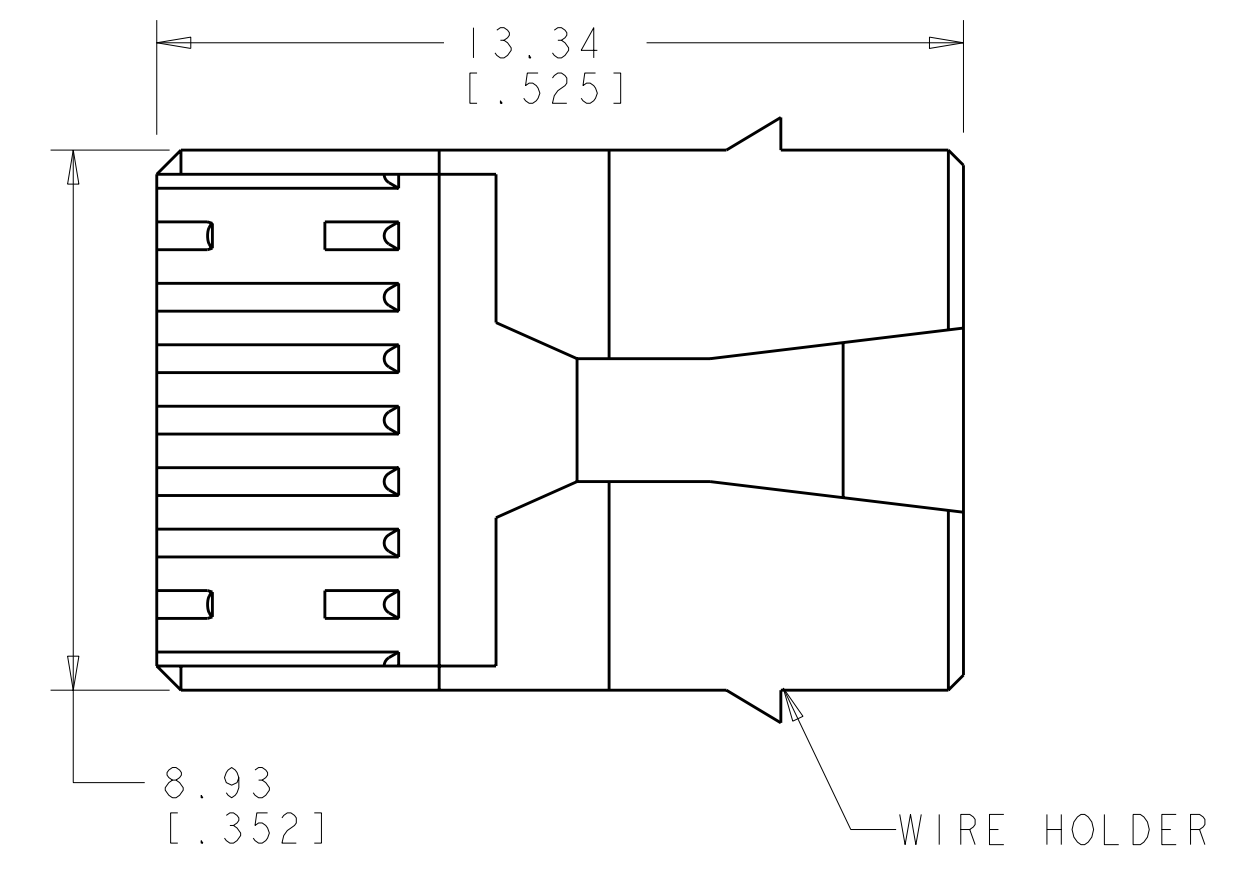
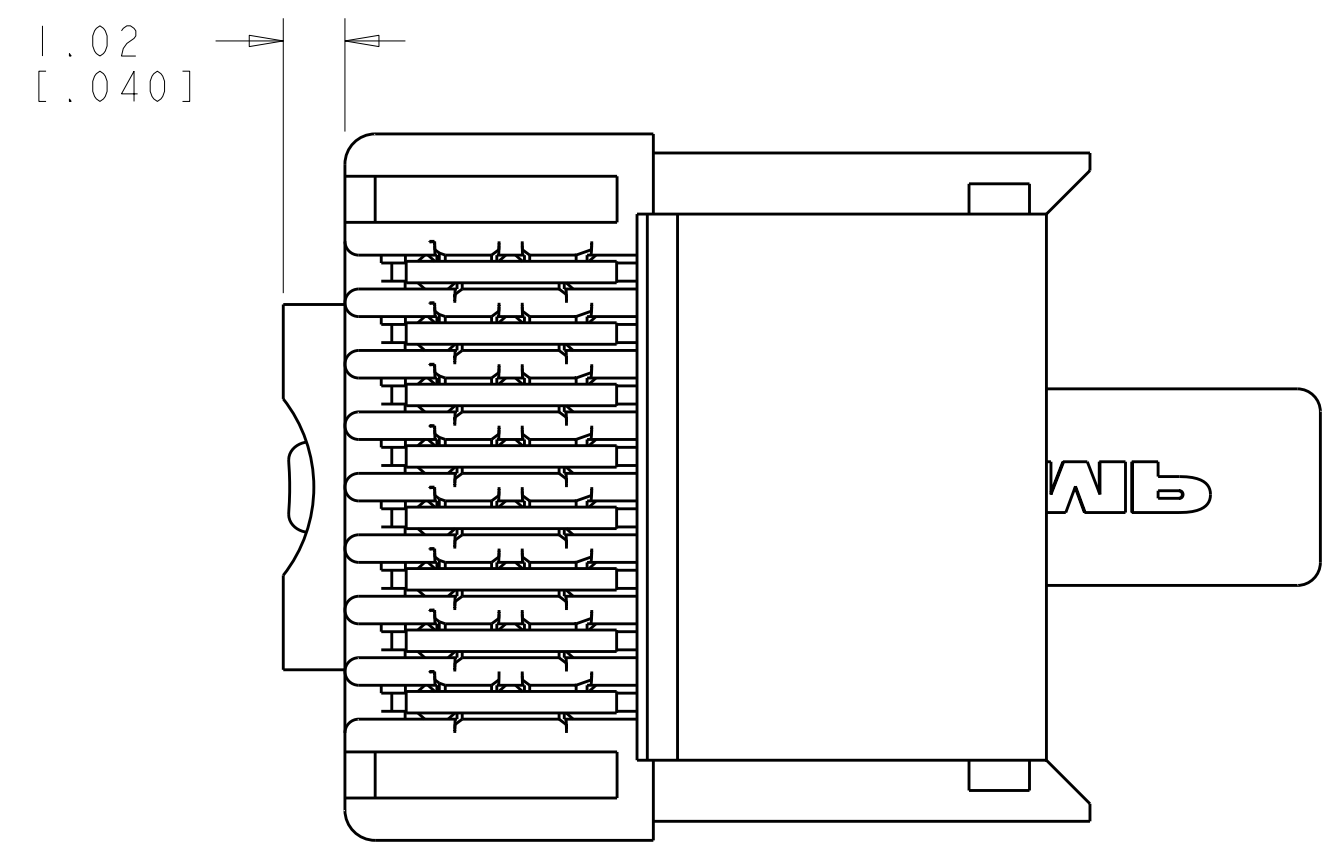


REVISONS		DATE	DWN	APVD
A	RLSD: NPR NSD02-005	24JAN02	GG	MD
B	REV: ECO-06-023369	03OCT2006	GG	CD
C	REV: ECO-06-025858	06NOV2006	GG	CC
D	REV ECO-08-011017	05MAY2008	LH	EM



SCALE 4:1

- 1. MATERIAL: HOUSING - 94V-0 RATED POLYCARBONATE CLEAR TERMINAL - 0.36 [0.014] THICK PHOSPHAR BRONZE PLATED WITH 1.27  $\mu$ m [0.00050] MINIMUM THICK GOLD IN LOCALIZED AREA, GOLD FLASH OVER THE REMAINDER, OVER 2.54  $\mu$ m [0.00100] MINIMUM THICK NICKEL UNDERPLATE. WIRE HOLDER - POLYCARBONATE MAKROLON CLEAR. SHIELD - BRASS DIN 17660 - CuZn33
- 2. DIMENSIONS ARE NOMINAL UNLESS OTHERWISE SPECIFIED.
- 3. PLUG WILL ACCEPT A 23-24 AWG SOLID CONDUCTOR, PROVIDED THE INSULATION CONDUCTOR DIAMETER IS WITHIN .89 - 1.09 [.035 - .043]; WITH THE SUM OF DIAMETERS FOR ALL EIGHT CONDUCTORS WITHIN THE CABLE MUST NOT EXCEED 7.8MM [.31 IN]. CABLE JACKET DIAMETER OF 6.0 - 7.0 MM [.24 - .28 IN].
- 4. TERMINATED DIMENSION 6.15 [.242] MAXIMUM.
- 5. PACKAGE 1,000 ASSEMBLIES, 1,000 WIRE HOLDERS, AND 1,000 SHIELDS.
- 6. PACKAGE 100 ASSEMBLIES, 100 WIRE HOLDERS, AND 100 SHIELDS.
- 7. PACKAGE 25 ASSEMBLIES, 25 WIRE HOLDERS, AND 25 SHIELDS.
- 8. PACKAGE 500 ASSEMBLIES, 500 WIRE HOLDERS, AND 500 SHIELDS.
- 9. MODULAR PLUG BOOT PART NUMBER 1711510-X (X-DENOTES VARIOUS COLORS) MAY BE USED WITH KIT ASSEMBLY SHOWN.
- 10. UL RECOGNIZED: FILE NUMBER E81956.



7	5-1479185-4
6	5-1479185-3
8	5-1479185-2
5	5-1479185-1
PACKAGE	PART NO.

DIMENSIONS: MME [INCHES] 9 PLC ± 8 PLC ± 7 PLC ± 6 PLC ± 5 PLC ± 4 PLC ± ANGLES ± MATERIAL: $\Delta$ FINISH: $\Delta$		TOLERANCES UNLESS OTHERWISE SPECIFIED: 9 PLC ± 8 PLC ± 7 PLC ± 6 PLC ± 5 PLC ± 4 PLC ± ANGLES ± MATERIAL: $\Delta$ FINISH: $\Delta$		DWN: S. GARRETT 24JAN02 CHK: M. DELPHIAS 24JAN02 APVD: M. DELPHIAS 24JAN02 PRODUCT SPEC APPLICATION SPEC WEIGHT CUSTOMER DRAWING		Tyco Electronics Harrisburg, PA 17105-3608 NAME: KIT, 8 POSITION, MODULAR PLUG, SOLID WIRE, CATEGORY 6 SIZE: A1 CAGE CODE: 00779 DRAWING NO: C=1479185 SHEET 1 OF 1 REV D	
--	--	--	--	--	--	--	--