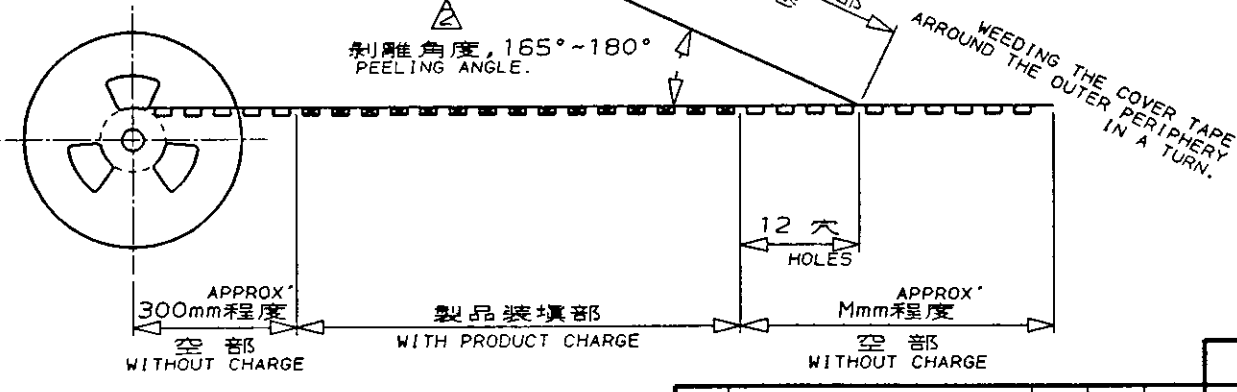
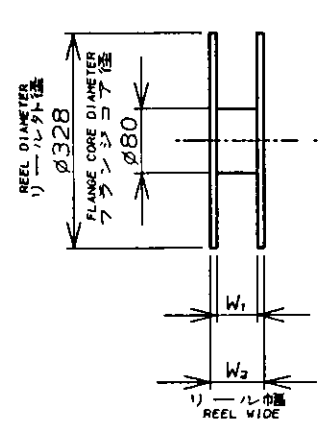


6極品 (P/N: 3-176890-6) 以外
12極品 (P/N: 7-176890-2) 以外
EXCEPT 6 Pos. (P/N: 3-176890-6)
12 Pos. (P/N: 7-176890-2)



注記
1. 包装規格: 107-5123-5
NOTE
1. PACKAGING SEPC: 107-5123-5

										16	1-912054-8	7-	-6	7-	-6							
										7.45	6.25	750	12	7-912061-6	7-	-2	7-	-2				
													24	3-912051-4	5-	-4	5-	-4				
													22	0-912055-3	5-	-2	5-	-2				
													20	3- ↑ -2	5-	-0	5-	-0				
													18	912051-8	4-	-8	4-	-8				
													29	26								
													16	0-912055-2	4-	-6	4-	-6				
													14	↑ -4	4-	-4	4-	-4				
													12	↑ -2	4-	-2	4-	-2				
													10	912051-1	4-	-0	4-	-0				
													21	18								
										16	5.45	4.25	1000	6	0- ↑ -1	3-	-6	3-	-6			
										29	26	300	12	24	6.95	5.75	750	16	0-912055-4	1-174821-6	1-176890-6	
										W2	W1	M	P	C	B	A	数量 (個) QTY/REEL	極数 (Pin) Pos.	エンボスタープ型番 (EMBOS TAPE P/N)	コネクタ型番 (メタボ) CONNECTOR P/N	リール物コネクタ型番 (TAPING P/N)	

F	訂正	FJ00-2366-95	K.N.	4/78	
E	極数追加	FJ00-2111-95	N.N. J.T.	3/15 '95	
D	極数追加	J-1271	S.K. J.T.	4/15 '92	
C	極数追加	J-0498	J.T. S.K.	1/8 '92	
B	極数追加	J-0485	S.K. J.T.	11/14 '91	
A	ピッチ変更	J-12577	S.K. J.T.	9/27 '90	
O	作成	J-12550	S.K. J.T.	6/22 '90	
LTR	変更 (REVISION RECORD)		DR	CHK	DATE

Copyright ©19 年 AMP (Japan), LTD. ALL RIGHTS RESERVED.		Copyright ©19 年 AMP (Japan), LTD. ALL RIGHTS RESERVED.	
名称 (NAME) エンボスタープ 1.25 F-P コネクタ (基板対基板接続用) 2列仕様 ポスト ヘッダー アッセンブリ		サイズ (SIZE) B J	
材料 (MATERIAL) #		仕上 (FINISH) #	
DR. S. KANEKI 6/22 '90		DE. J. TANIGAWA 6/22 '90	
CHK. J. TANIGAWA 6/22 '90		APP. S. Kubouchi 9/19 '95	
一般公差 (GENERAL TOLERANCE) 10以下: ±0.2		尺度 (SCALE) #	
10を越え 30以下: ±0.25		REV. F	
30を越え 100以下: ±0.3		SHEET 1 OF 1	
角 度: ±3°			

- [Home](#)
- [Part Number Search](#)
- [Text Search](#)
- [Alternate Part Search](#)
- [Multiple Part Comparison](#)
- [Alphabetical Search](#)
- [Brand Search](#)
- [Industry Product Search](#)
- [Product Type Search](#)
- [Product Family Search](#)
- [Competitor Cross Reference](#)
- [Document Number Search](#)
- [Lead Free Solutions](#)
- [Help/Glossary](#)

Current Brand View

AMP

[View All Tyco Electronics Brands](#)

Click to activate links to all other products

1.25mm Centerline Fine Pitch (F-P) Connectors

1.25mm Centerline F-P (Fine Pitch Connectors)

AMP

3-176890-6 -- 5 of 6 products

Active

[Active](#)

(Tyco Electronics P/N: 3-176890-6)

[Previous](#)

[Next](#)

[Sales Information](#)

[AMP ACES](#)

[Step Search Screen](#)

[Related Documents](#)

[General Information](#)

[Pricing](#)

[Product Availability](#)

Please use the customer drawing for all design activity.

■ **Customer Drawing: 176890, Rev. F**

Document Title: 1.25 F-P CONNECTOR (B-TO-B) ON TAPING (EMBOSS) DOUBLE ROW POST HDR ASS'Y SMT TPYE WITH BOSS

[166431.pdf](#) [166431.pdf](#) (54K)

The photographs and/or line drawings below are representative images of a product for viewing purposes only.

[PCB Layout](#)

Searchable Features:

Brand:	AMP
Header Type:	Post
PCB Mount Style:	Surface Mount
Mount Angle:	Vertical
No. of Rows:	Dual
No. of Positions:	6
PCB Retention Feature:	With
PCB Retention Method Feature:	Boss
Packaging Method:	Tape
Polarization:	With
Polarization Method:	Long Rib

Other Properties:

Product Type:	Header
Housing Material:	PPS Resin
Housing Color:	Black
Housing Material Flammability Rating:	UL 94V-0
Centerline Spacing (mm [in]):	1.25 [.049]
Housing Height (mm [in]):	3.95 [.156]
Contact Material:	Brass
Packaging Quantity:	90
Contact Mating Area Plating:	Tin-Lead

[Copyright](#) and [Privacy Statement](#)

Visit [Tyco International, Ltd.](#)

[Products](#) | [Brands](#) | [Industries](#) | [Customer Service](#) | [About](#) | [Home](#)