

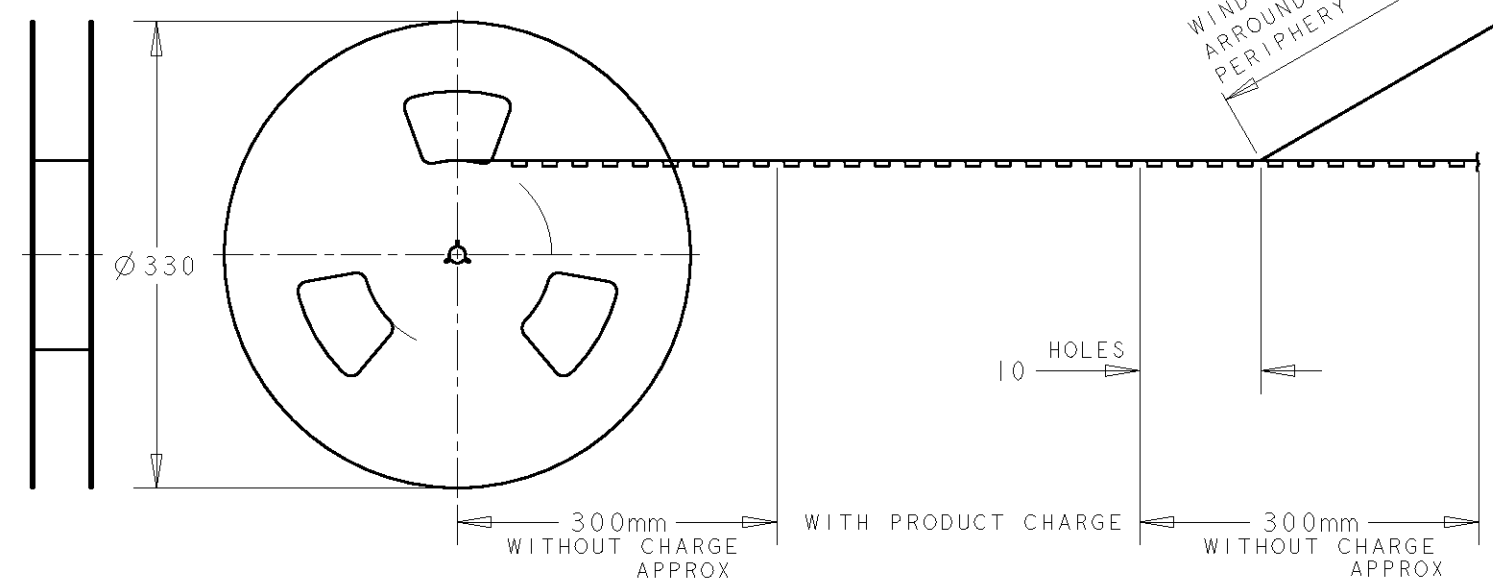
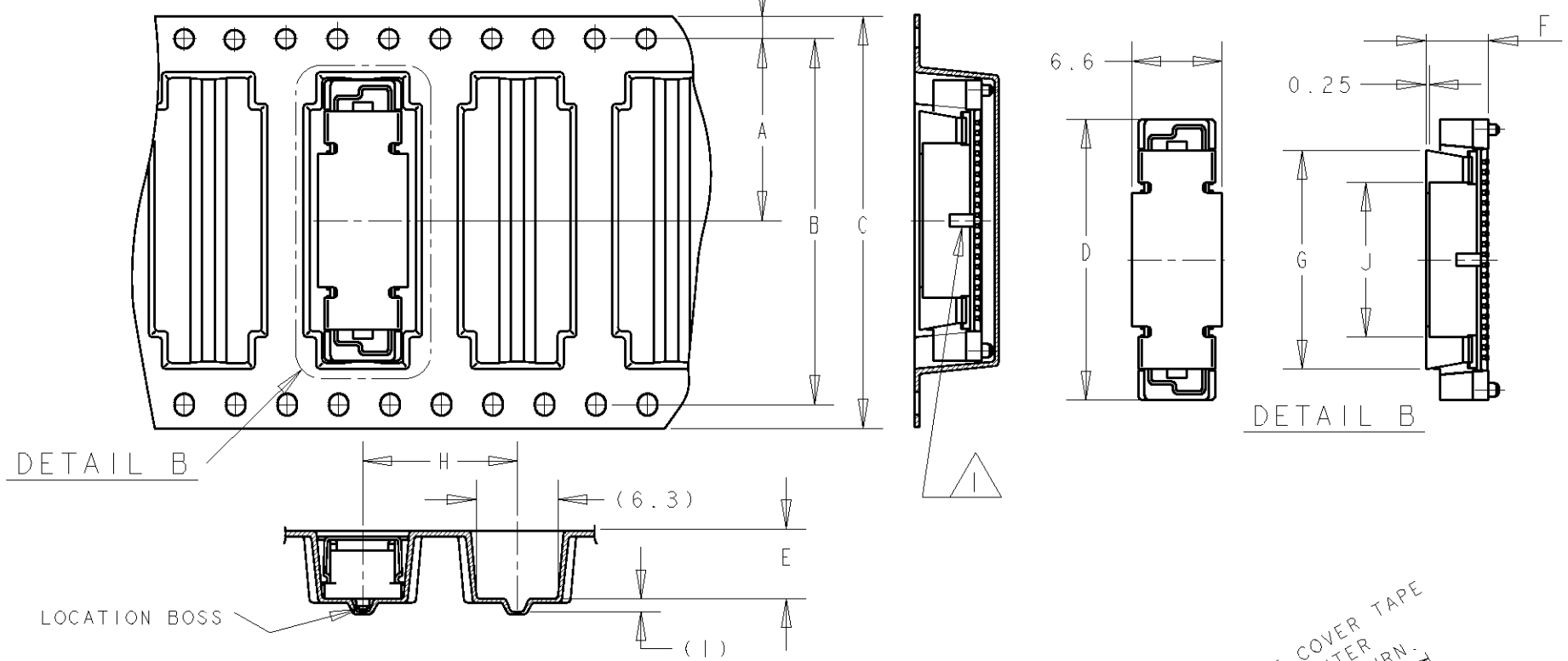
THIS DRAWING IS UNPUBLISHED. RELEASED FOR PUBLICATION
 © COPYRIGHT - BY - ALL RIGHTS RESERVED.

LOC		DIST		REVISIONS					
DY		-		P	LTR	DESCRIPTION	DATE	DWN	APVD
				E1		REVISED PER ECO-11-005139	19MAR11	RK	HMR

- Notes:
- 1 CUTOUT FEATURE AVAILABLE ONLY ON 5H ASSY P/N -1 (40P) AND -2 (60P).
 - 2 0.00038 MIN GOLD PLATING (15u INCHES GOLD PLATING)

DIRECTION OFF TOP OF REEL →

0.00076 MIN GOLD PLATING (30u INCHES GOLD PLATING)	450						61.8	88	84.4	42.2	140	1-	-6	7-	-6	
							53.8				120	1-	-5	7-	-5	
							45.8	72	68.4	34.2	100	1-	-4	7-	-4	
							37.8	56	52.4	26.2	80	1-	-3	7-	-3	
	700	7H	12		6.85	7.25	21.8	32	28.4	14.2	40	1-5179030-1	7-5177986-1			
							69.8				160		-8	6-	-8	
							61.8	88	84.4	42.2	140		-6	6-	-6	
							53.8				120		-5	6-	-5	
							45.8	72	68.4	34.2	100		-4	6-	-4	
							37.8	56	52.4	26.2	80		-3	6-	-3	
						29.8	44	40.4	20.2	60		-2	6-	-2		
						69.8				160		-8	5-	-8		
						61.8	88	84.4	42.2	140		-6	5-	-6		
						53.8				120		-5	5-	-5		
						45.8	72	68.4	34.2	100		-4	5-	-4		
						37.8	56	52.4	26.2	80		-3	5-	-3		
						29.8	44	40.4	20.2	60		-2	5-	-2		
	900	5H	12	12	17	4.85	5.25	21.8	32	28.4	14.2	40	5084614-1	5-5177986-1		
0.00002 MIN GOLD PLATING (7.8u INCHES GOLD PLATING)	450	7H	12	16	17	6.85	7.25	53.8	72	68.4	34.2	120	3-5179030-5	4-5177986-5		
								85.8				200	1-	-0	4-	-0
								77.8	104	100.4	50.2	180		-9	3-	-9
								69.8				160		-8	3-	-8
								61.8	88	84.4	42.2	140		-6	3-	-6
								53.8				120		-5	3-	-5
								45.8	72	68.4	34.2	100		-4	3-	-4
								37.8	56	52.4	26.2	80		-3	3-	-3
								29.8	44	40.4	20.2	60		-2	3-	-2
								85.8				200	1-	-0	3-	-0
							77.8	104	100.4	50.2	180		-9	2-	-9	
							69.8				160		-8	2-	-8	
							61.8	88	84.4	42.2	140		-6	2-	-6	
							53.8				120		-5	2-	-5	
							45.8	72	68.4	34.2	100		-4	2-	-4	
							37.8	56	52.4	26.2	80		-3	2-	-3	
							29.8	44	40.4	20.2	60		-2	2-	-2	
	700	7H	12			6.85	7.25	21.8	32	28.4	14.2	40	5179030-1	2-5177986-1		
								61.8	88	84.4	42.2	140		-6	1-	-6
								53.8				120		-5	1-	-5
							45.8	72	68.4	34.2	100		-4	1-	-4	
							37.8	56	52.4	26.2	80		-3	1-	-3	
							29.8	44	40.4	20.2	60		-2	1-	-2	
							69.8				160		-8		-8	
							61.8	88	84.4	42.2	140		-6		-6	
							53.8				120		-5		-5	
							45.8	72	68.4	34.2	100		-4		-4	
							37.8	56	52.4	26.2	80		-3		-3	
							29.8	44	40.4	20.2	60		-2		-2	
	800	6H	12			5.85	6.25	21.8	32	28.4	14.2	40	5179029-1	1-5177986-1		
								69.8				160		-8		-8
								61.8	88	84.4	42.2	140		-6		-6
								53.8				120		-5		-5
							45.8	72	68.4	34.2	100		-4		-4	
							37.8	56	52.4	26.2	80		-3		-3	
							29.8	44	40.4	20.2	60		-2		-2	
	900	5H	12	12	17	4.85	5.25	21.8	32	28.4	14.2	40	5177984-1	5177986-1		



REMARKS	QTY	HEIGHT TYPE	J	H	G	F	E	D	C	B	A	POS	CONN P/N	PART NO.
---------	-----	-------------	---	---	---	---	---	---	---	---	---	-----	----------	----------

DIMENSIONS: mm		TOLERANCES UNLESS OTHERWISE SPECIFIED:		DWN FLORENCE TAN 30AUG04		STE TE Connectivity	
0 PLC ±0.3		1 PLC ±0.25		CHK ERIC TNG		NAME PLUG ASSEMBLY (0.5 BOSS LENGTH) FOR FH 0.8 B-T-B CONN. ON TAPING	
2 PLC ±0.2		3 PLC ±0.2		APVD SEI FONG		SIZE A3	
4 PLC ANGLES ±3°		FINISH -		PRODUCT SPEC 108-5390		CAGE CODE 00779	
MATERIAL -		WEIGHT -		APPLICATION SPEC 114-5254		DRAWING NO C-5177986	
CUSTOMER DRAWING				SCALE 2:1		SHEET 1 OF 1	
						REV E1	