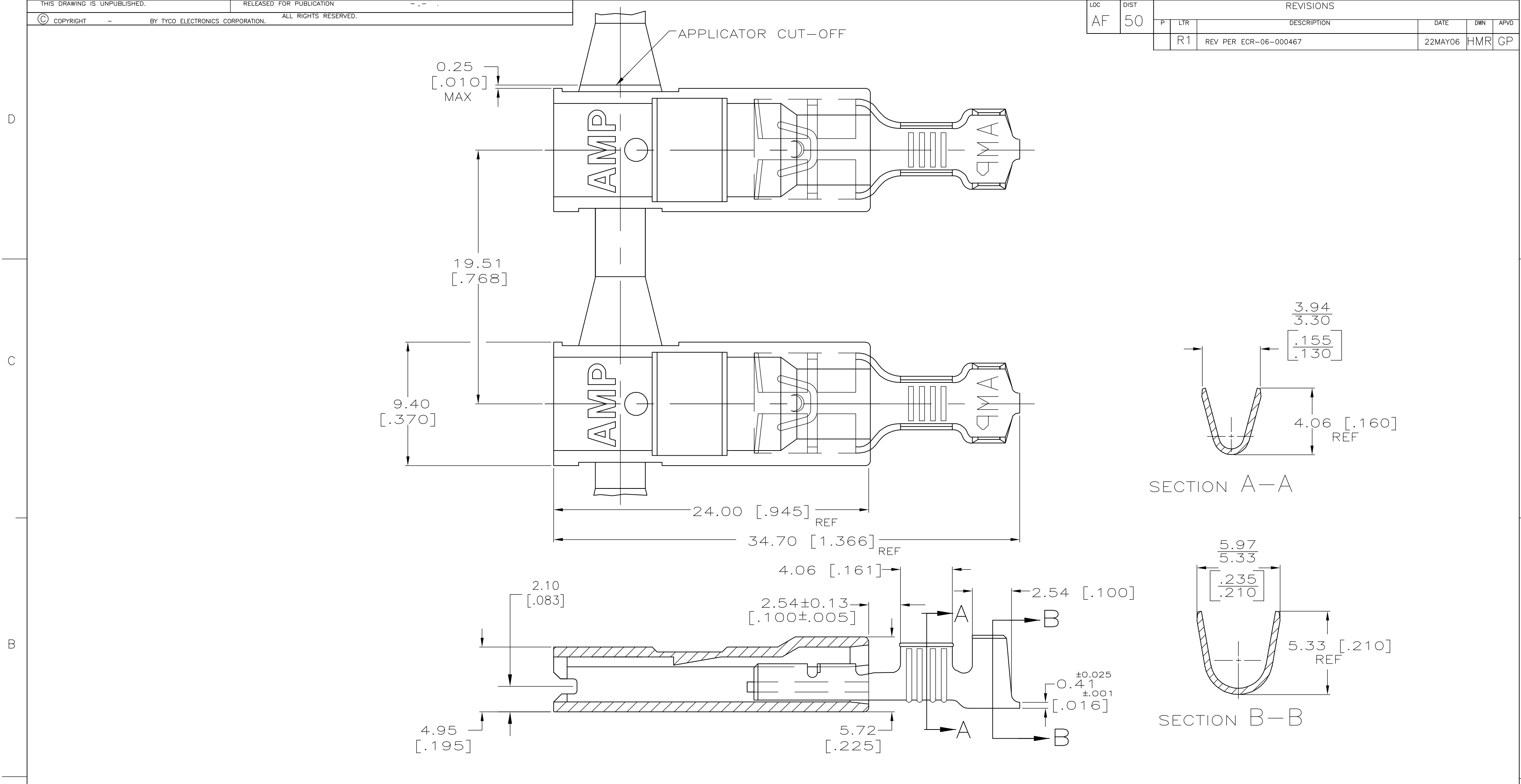


LOC	DIST	REVISIONS					
AF	50	P	LTR	DESCRIPTION	DATE	DWN	APVD
		R1		REV PER ECR-06-000467	22MAY06	HMR	GP



- 1 LOW-INSERTION FASTON TERMINALS, BASE P/N 63306, ARE USED IN THIS PRODUCT.
- 2 TIN PLATE PER .002032 [.000080] MIN PER MIL-T-10727.
- 3 MATERIAL: HOUSING 6/6 NYLON TERMINAL 4M HARD BRASS
- 4 FINISH: HOUSING - COLOR, NATURAL TERMINAL - SEE TABLE

OBSOLETE	BULK	2 TIN PLATE	2.79-4.32 [.110-.170] DIA	0.8-2.0 mm ² [18-14]	0.813 [.032]	5-520963-2
	BULK	PLAIN				5-520963-1
	STANDARD	2 TIN PLATE				520963-2
	STANDARD	PLAIN				520963-1
PACKAGING	TERMINAL FINISH	INSULATION RANGE	WIRE SIZE	MATING TAB THK ±0.025 [±.001]	PART NO.	

THIS DRAWING IS A CONTROLLED DOCUMENT.		DWN	JR RUTH	6/27/89	 Tyco Electronics Corporation Harrisburg, PA 17105-3608	
DIMENSIONS: mm [INCHES]		CHK	MS FEHER	6/27/89		
TOLERANCES UNLESS OTHERWISE SPECIFIED:		APVD	R KUZO	6/27/89		
0 PLC ± - 1 PLC ± - 2 PLC ± - 3 PLC ± 0.25 [.010] 4 PLC ± - ANGLES ± - FINISH		NAME	108-1285			
MATERIAL	3	APPLICATION SPEC	114-2124		SIZE	A2
FINISH		WEIGHT	-		CAGE CODE	00779
4		CUSTOMER DRAWING	SCALE 5:1		DRAWING NO	G-520963
		SHEET 1 of 1		REV	R1	