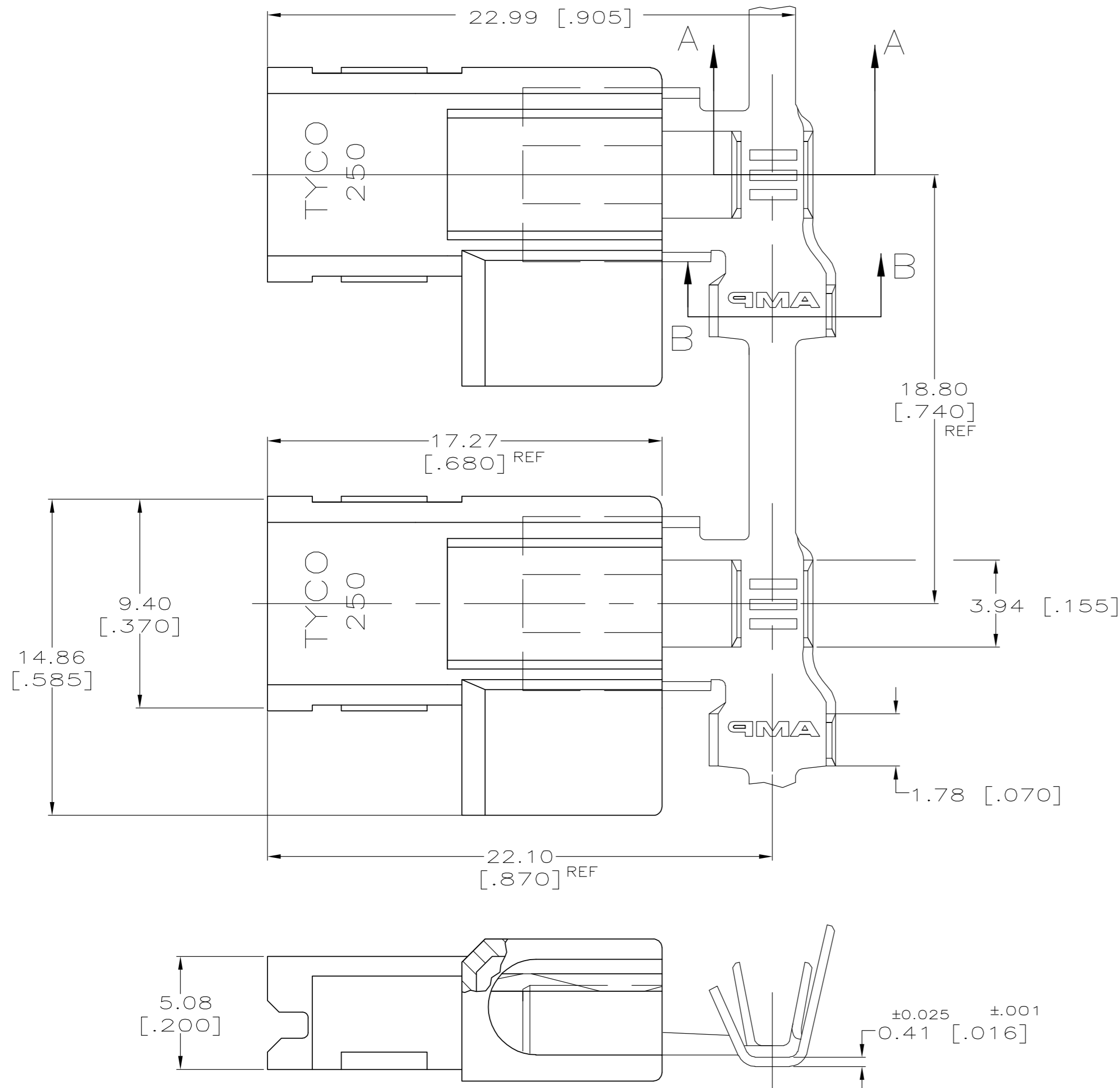


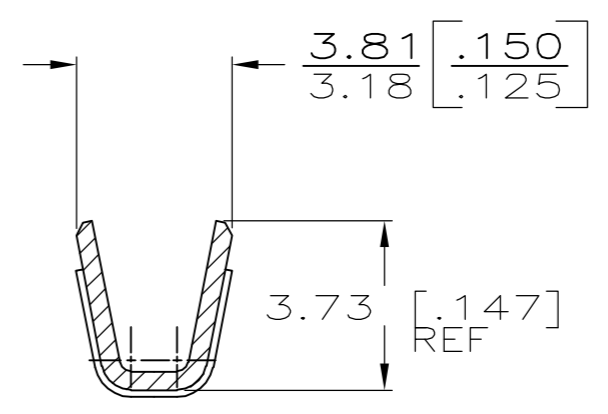
THIS DRAWING IS UNPUBLISHED. RELEASED FOR PUBLICATION
 © COPYRIGHT BY TYCO ELECTRONICS CORPORATION. ALL RIGHTS RESERVED.

LOC	DIST	REVISIONS			
P	LTR	DESCRIPTION	DATE	DWN	APVD
AF	50				
		D1	REV PER ECR 005428-05	03AUG05	JR GP

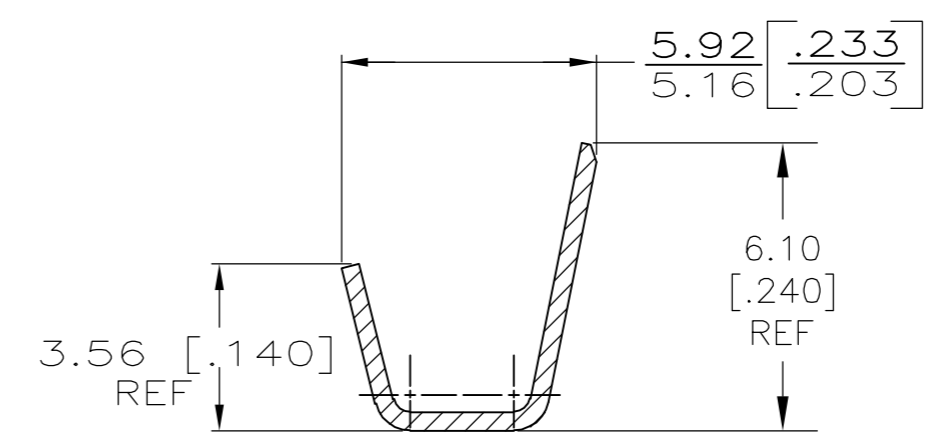


- 1 BUDGET FLAG FASTON TERMINALS, BASE P/N 63559, ARE USED IN THIS PRODUCT.
- 2 WIRE SIZE [#18-#14] AWG.
- 3 INSULATION RANGE IS 2.79-4.06 [.110-.160] DIA.

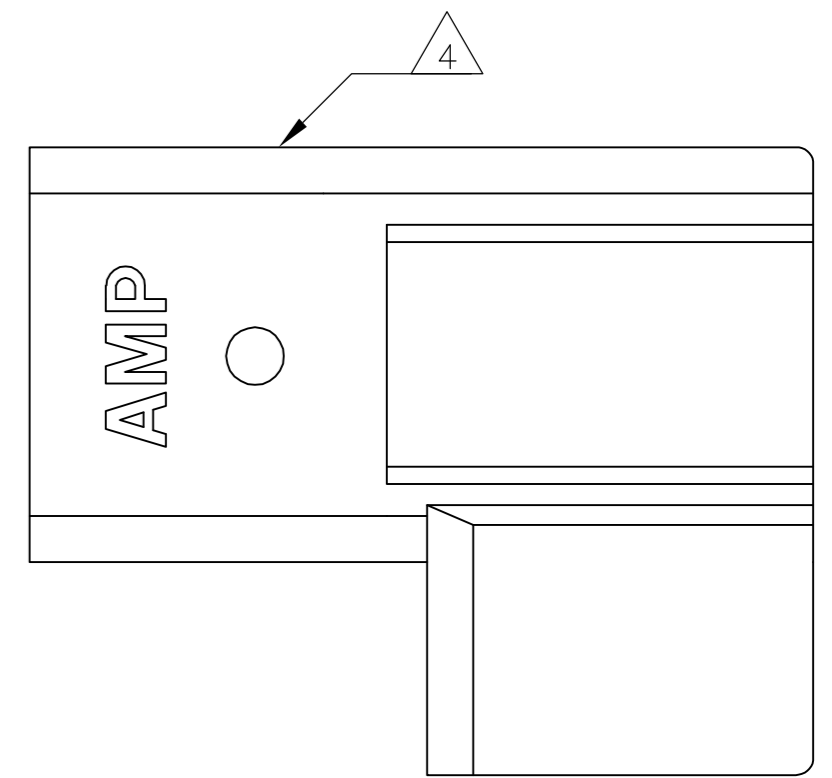
△ 4 ALTERNATIVE HOUSING FORM



SECTION A-A



SECTION B-B



STANDARD	6/6 NYLON, VO / NATURAL	TIN PLATE - 4M HARD BRASS	521282-2
	6/6 NYLON, VO / NATURAL	PLAIN - 4M HARD BRASS	521282-1
PACKAGING	HOUSING MATERIAL / COLOR	TERMINAL FINISH - MATERIAL	PART NO
THIS DRAWING IS A CONTROLLED DOCUMENT.		DWN JR RUTH 13MAR00	Tyco Electronics Corporation Harrisburg, Pa 17105-3608
DIMENSIONS: INCHES		CHK MS FEHER 13MAR00	
TOLERANCES UNLESS OTHERWISE SPECIFIED:		APVD J HUMMEL 13MAR03	NAME
0 PLC ± -		PRODUCT SPEC	ASSEMBLY, RECEPTACLE, FLAG, ULTRA-POD, 6.35 [.250] SERIES
1 PLC ± -		108-1285	
2 PLC ± -		APPLICATION SPEC	SIZE
3 PLC ± 0.25 [.010]		114-2124	CAGE CODE
4 PLC ± -		WEIGHT	DRAWING NO
ANGLES ± -		-	A2 00779
FINISH		CUSTOMER DRAWING	RESTRICTED TO
SEE TABLE		SCALE 6:1	SHEET 1 OF 1
		REV D1	