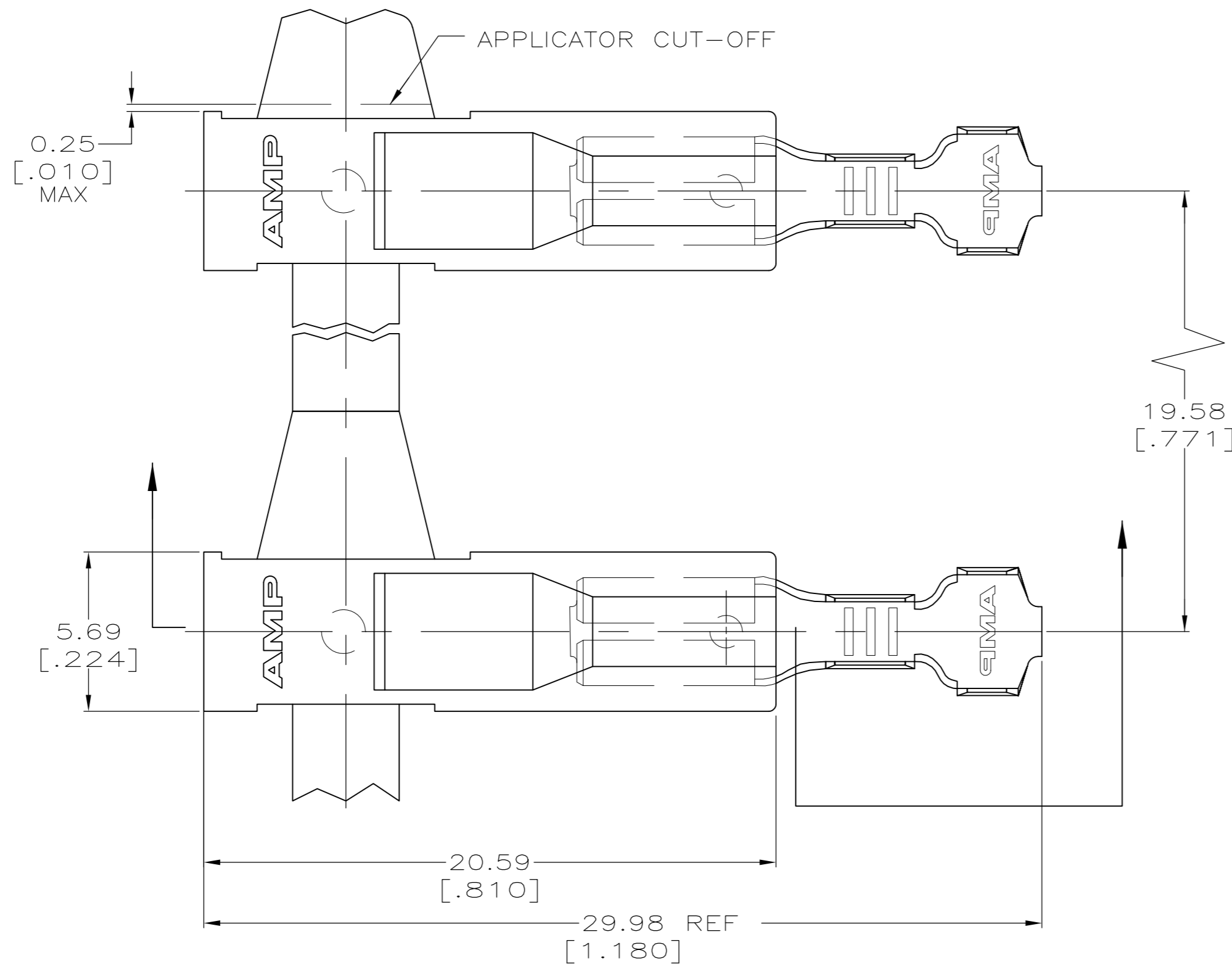
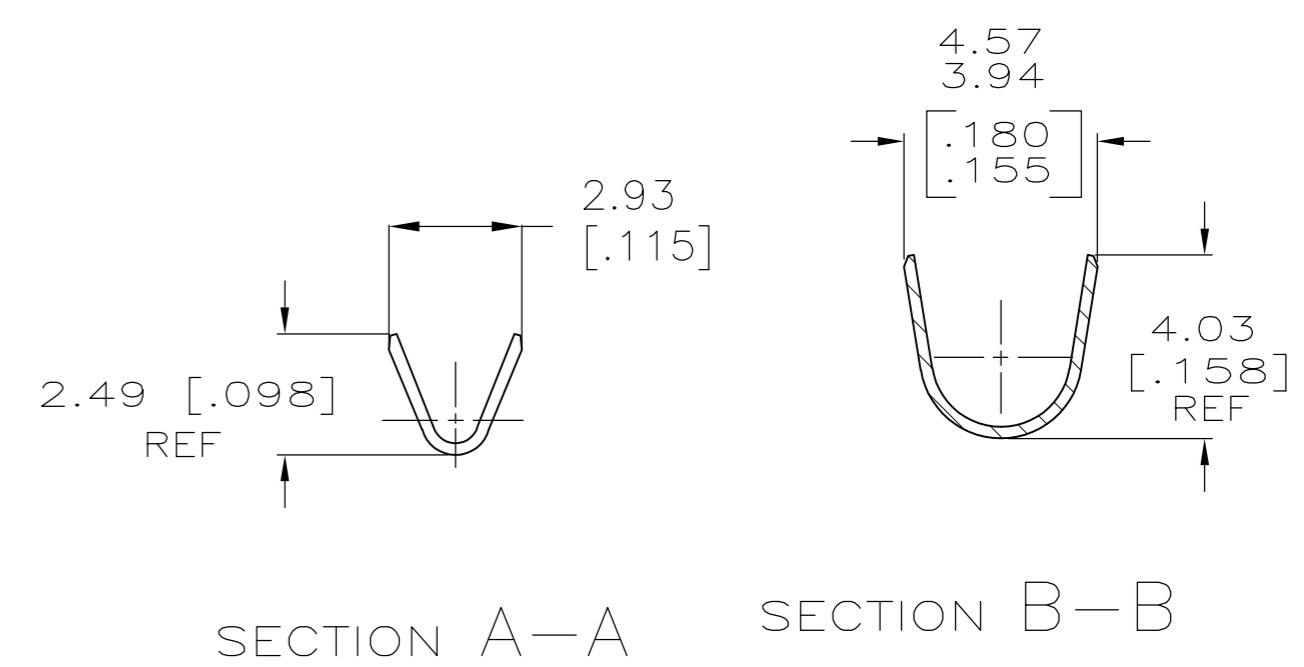
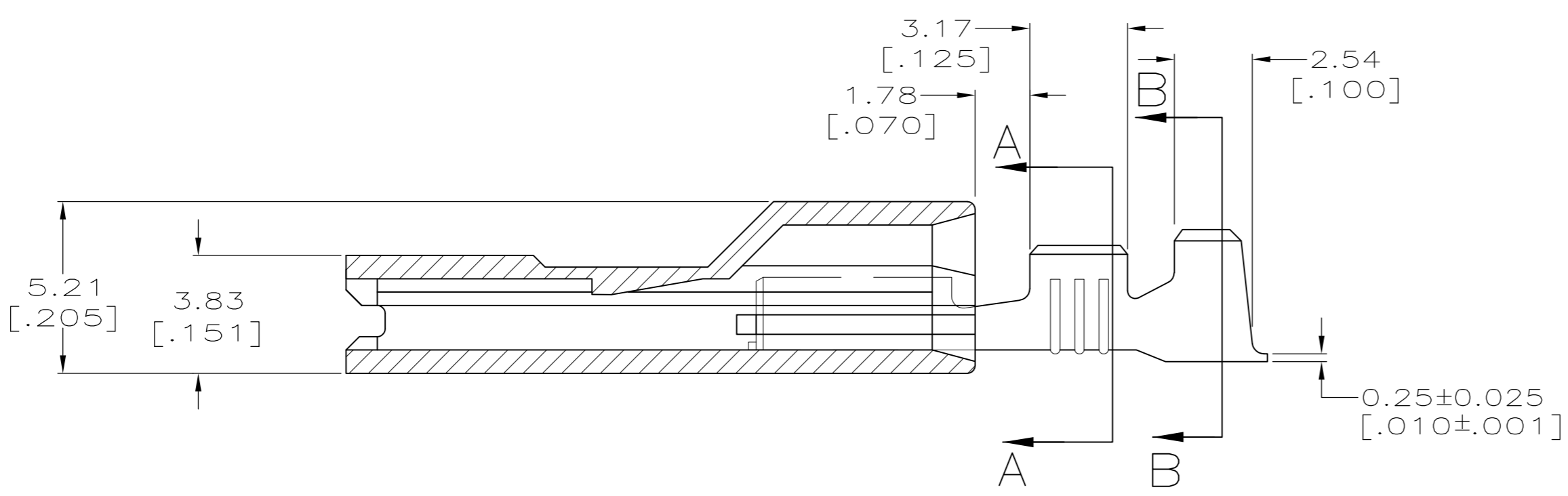


THIS DRAWING IS UNPUBLISHED. RELEASED FOR PUBLICATION
 © COPYRIGHT BY TYCO ELECTRONICS CORPORATION. ALL RIGHTS RESERVED.

LOC	DIST	REVISIONS			
P	LTR	DESCRIPTION	DATE	DWN	APVD
AF	50	F	REVISED PER ECR-07-013746	24AUG07	HMR GP



- 1 MATING TAB THK IS 0.81 ± 0.025 [.032 ± .001]
- 2 WIRE SIZE IS [#22-#18] AWG.
- 3 INSULATION RANGE IS 2.03-3.05 [.080-.120] DIA.
- △ PREPRODUCTION - FASR REQ



0.002032 [.000080] MIN TIN		521436-2	
-		△ 521436-1	
TERMINAL FINISH		PART NO.	
Tyco Electronics Corporation Harrisburg, PA 17105-3608			
NAME			
ASSEMBLY, RECEPTACLE, ULTRA-POD, 2.79 [.110] SERIES			
SIZE	CAGE CODE	DRAWING NO	RESTRICTED TO
A2	00779	C=521436	-
CUSTOMER DRAWING		SCALE	SHEET
		6:1	1 of 1
		REV	F

THIS DRAWING IS A CONTROLLED DOCUMENT.	
DIMENSIONS: mm [INCHES]	TOLERANCES UNLESS OTHERWISE SPECIFIED:
	0 PLC ± -
	1 PLC ± -
	2 PLC ± 0.25 [.010]
	3 PLC ± -
	4 PLC ± -
ANGLES ± -	
MATERIAL	FINISH
TERMINAL - H04 BRASS HSG - 6/6 NYLON, V2	TERMINAL - SEE TABLE HOUSING - NATURAL