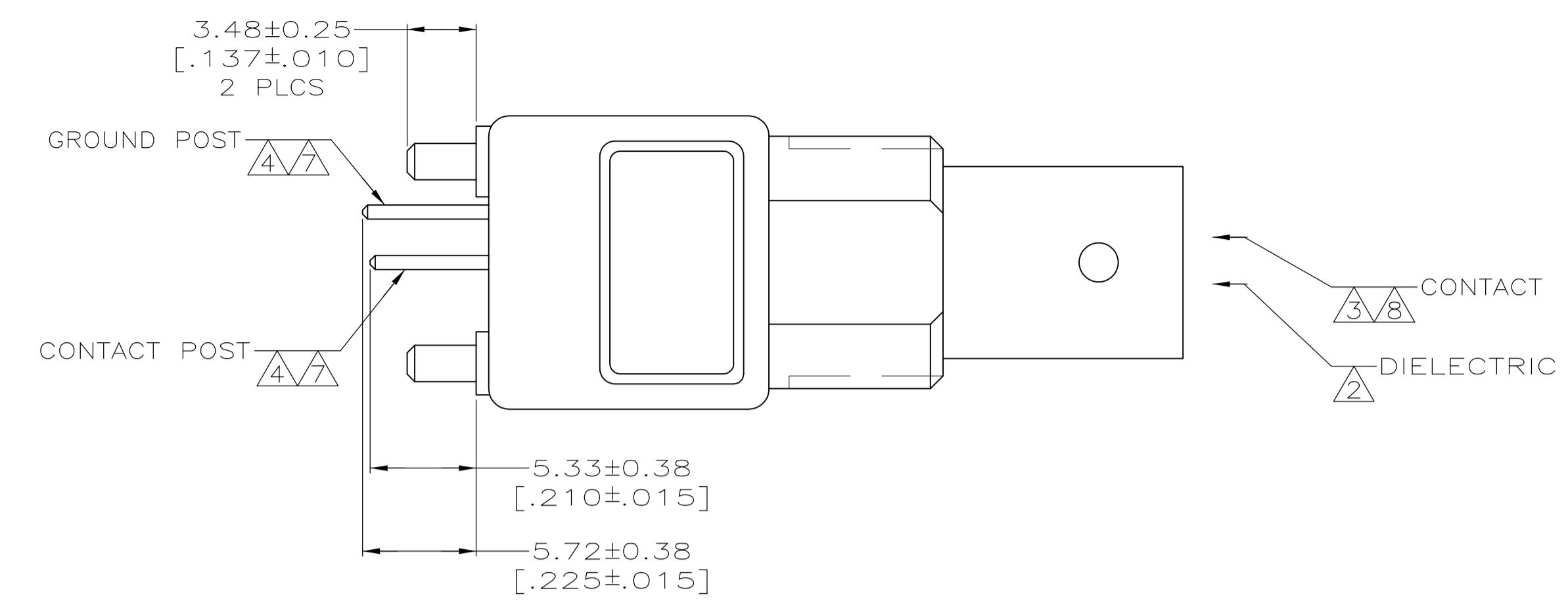
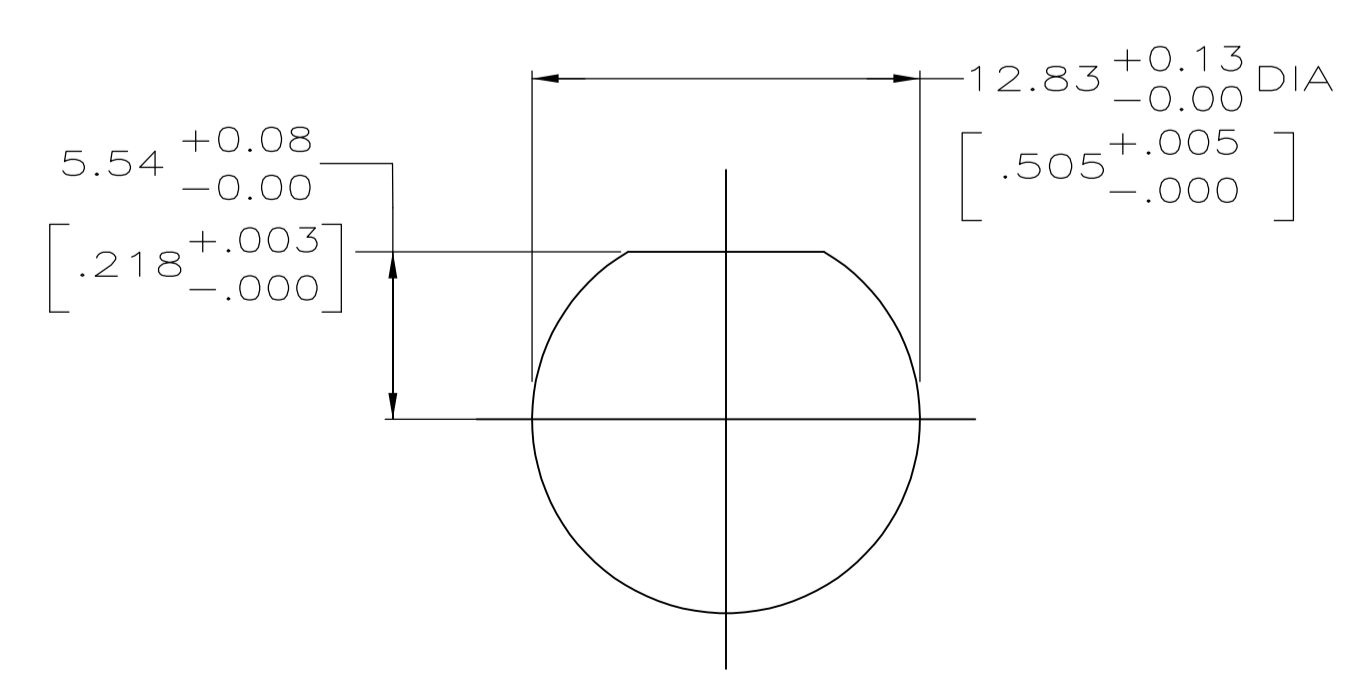
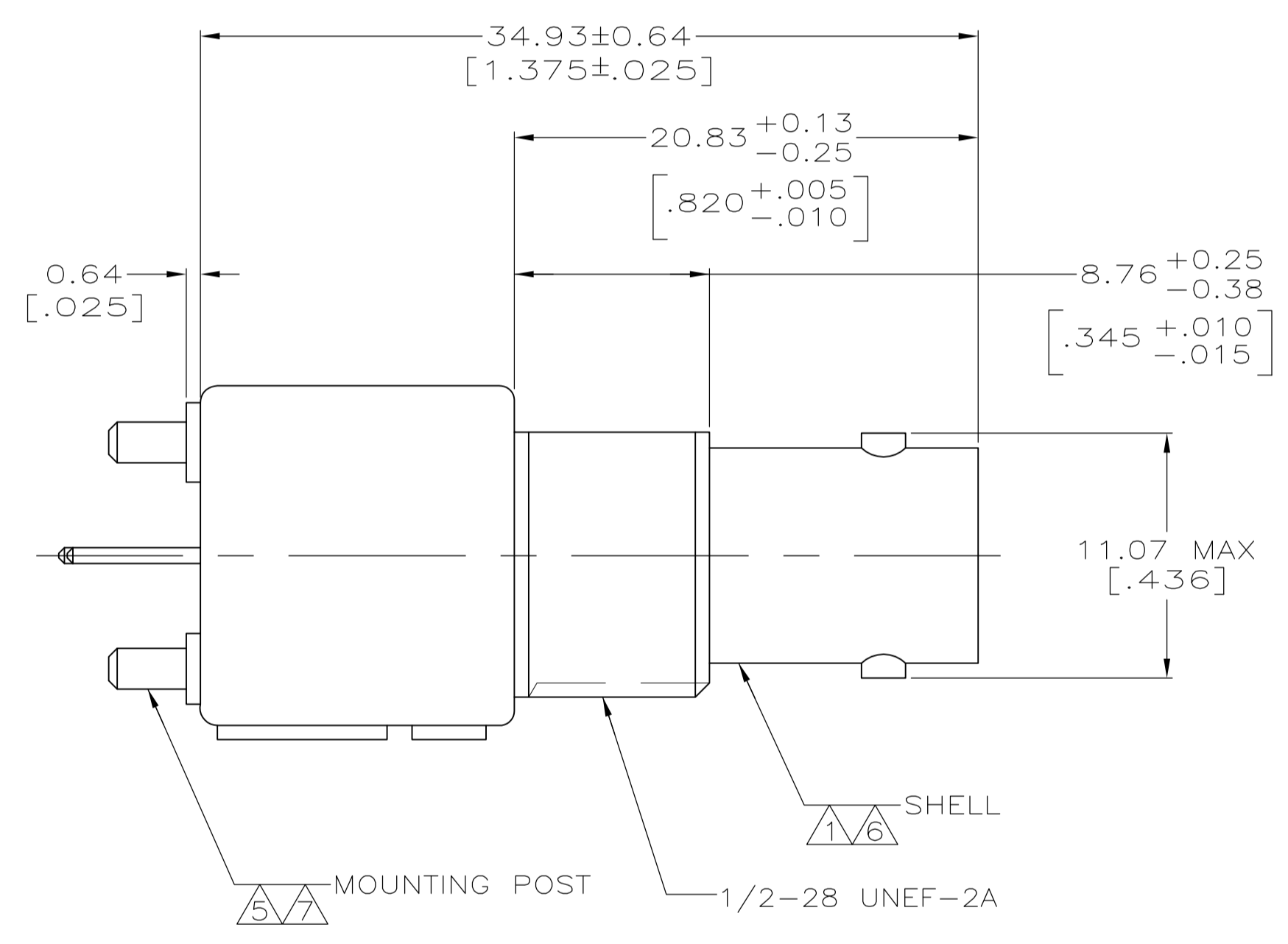
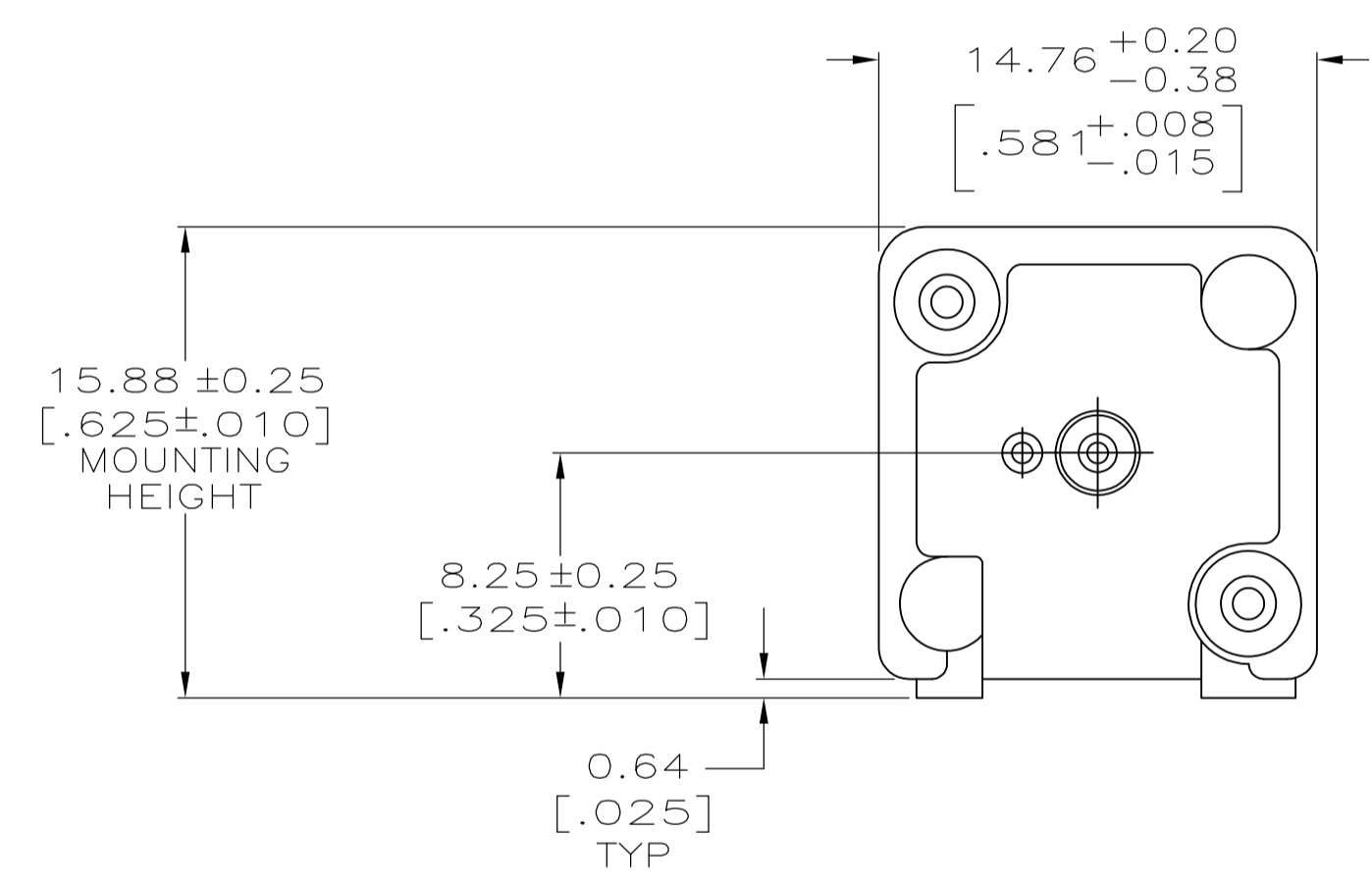


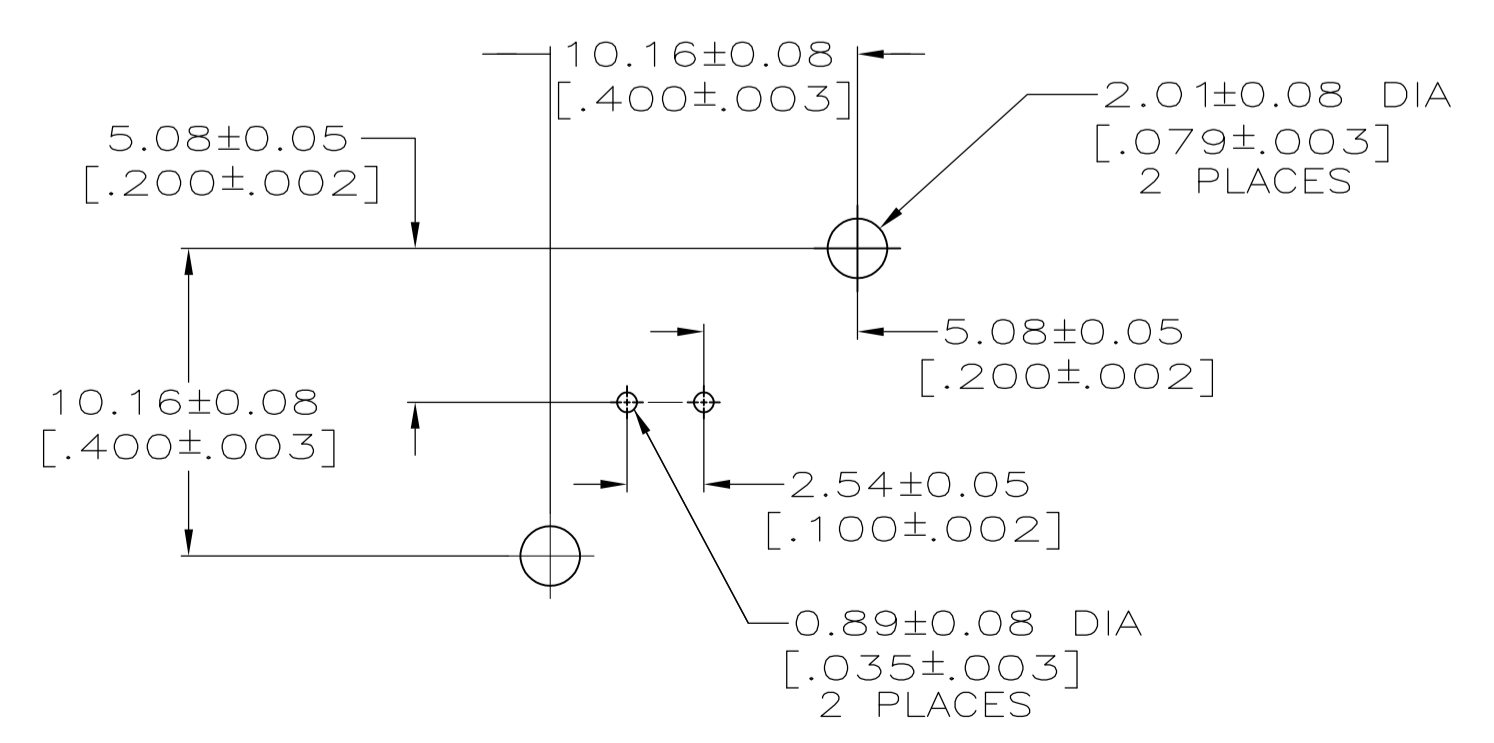
LOC	DIST	REVISIONS			
P	LTR	DESCRIPTION	DATE	DN	APVD
AJ	16	A1	REVISED PER ECO-11-005030	11MAR11	RK HMR



- 1 ZINC PER QQ-Z-363.
- 2 POLYMETHYLPENTENE, GENERAL PURPOSE.
- 3 BERYLLIUM COPPER PER QQ-C-530.
- 4 BRASS PER ASTM-B-453.
- 5 BRASS PER ASTM-B-16.
- 6 NICKEL PLATE PER QQ-N-290, 3.81 μm [.000150] MINIMUM THICK.
- 7 TIN PLATE PER ASTM-B-545, 3.81 μm [.000150] MINIMUM THICK.
- 8 GOLD PLATE PER MIL-G-45204, 0.76 μm [.000030] MINIMUM THICK.
- 9. SEE INSTRUCTION SHEET 408-2769.



RECOMMENDED PANEL CUTOUT



PCB CONFIGURATION

5222132-1
PART NUMBER

THIS DRAWING IS A CONTROLLED DOCUMENT.		BIN J. ALCORTA - 21APR2005		TE Connectivity											
DIMENSIONS: mm (INCHES)		DOCK 5 J. HAVENER 21APR2005													
TOLERANCES UNLESS OTHERWISE SPECIFIED:		APVD J. LIPPERT 21APR2005		NAME JACK, VERTICAL, PCB 75 OHM, SERIES BNC											
<table border="1"> <tr><td>0 PLC</td><td>± -</td></tr> <tr><td>1 PLC</td><td>± -</td></tr> <tr><td>2 PLC</td><td>± 0.20 [.008]</td></tr> <tr><td>3 PLC</td><td>± -</td></tr> <tr><td>4 PLC</td><td>± -</td></tr> </table>		0 PLC	± -	1 PLC	± -	2 PLC	± 0.20 [.008]	3 PLC	± -	4 PLC	± -	APPLICATION SPEC		RESTRICTED TO	
0 PLC	± -														
1 PLC	± -														
2 PLC	± 0.20 [.008]														
3 PLC	± -														
4 PLC	± -														
MATERIAL SEE NOTES 1-5		FINISH SEE NOTES 6-8		SIZE A1											
WEIGHT		CAGE CODE 00779		DRAWING NO 5222132											
CUSTOMER DRAWING		SCALE 4:1		SHEET 1 OF 1											
				REV A1											