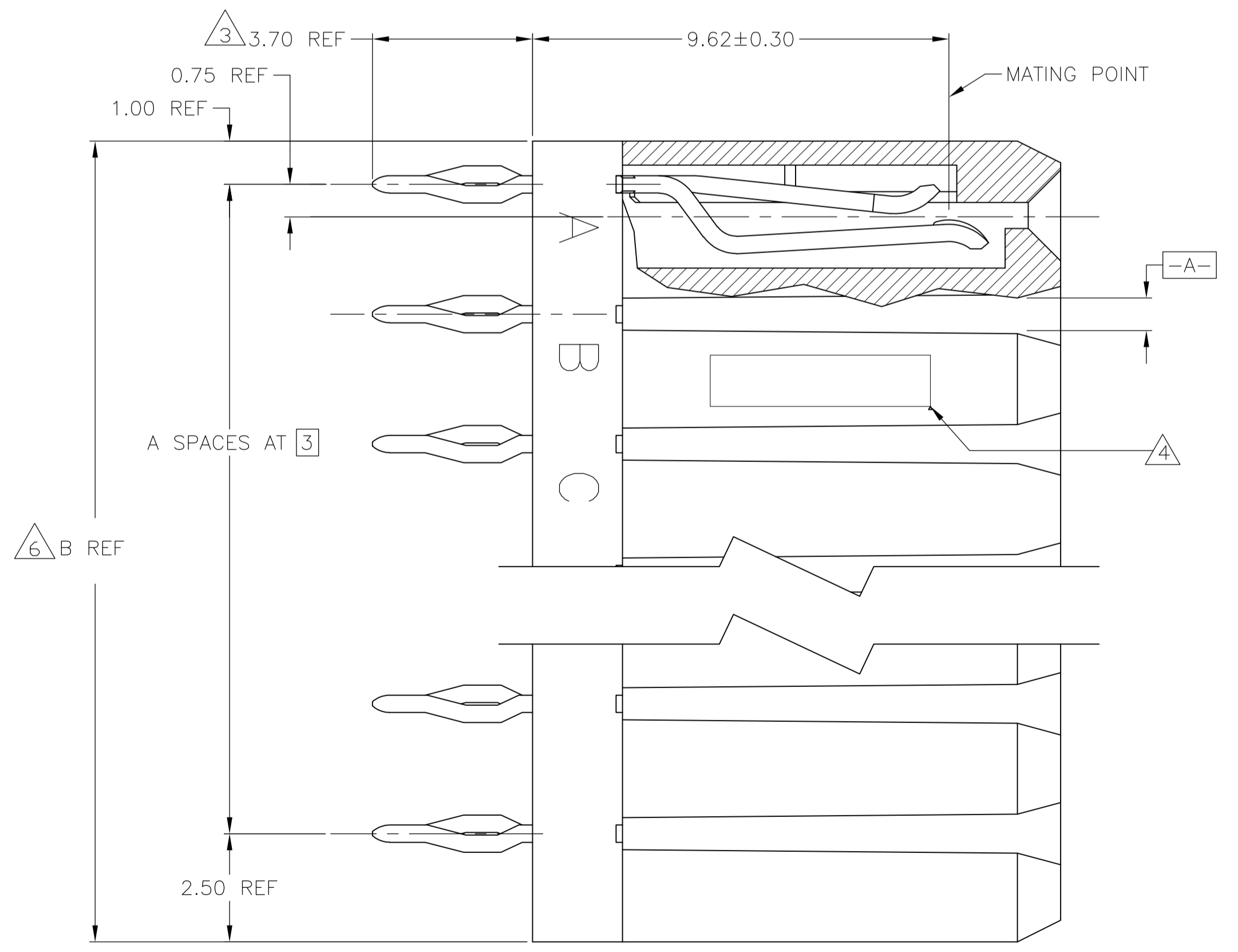
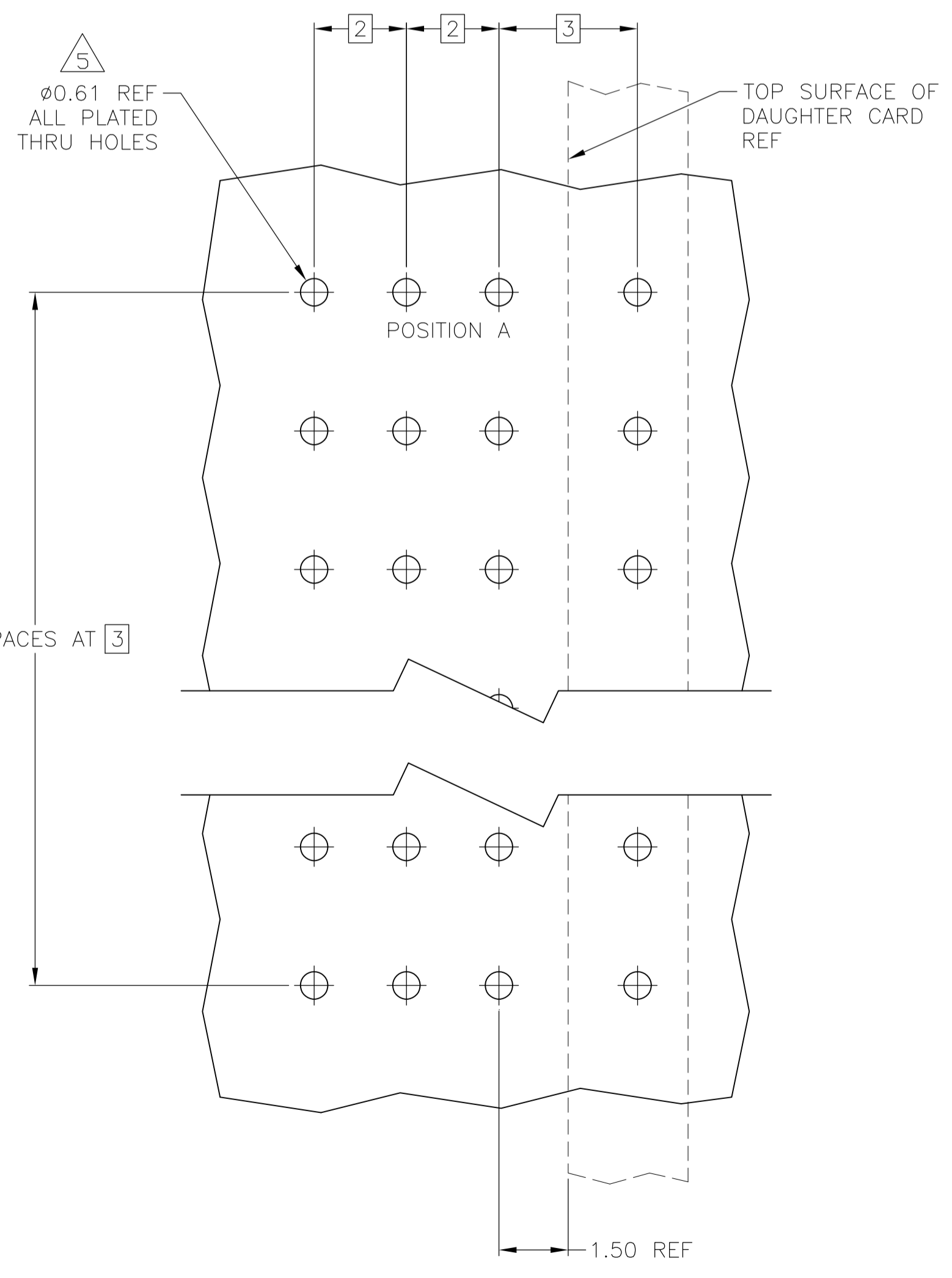
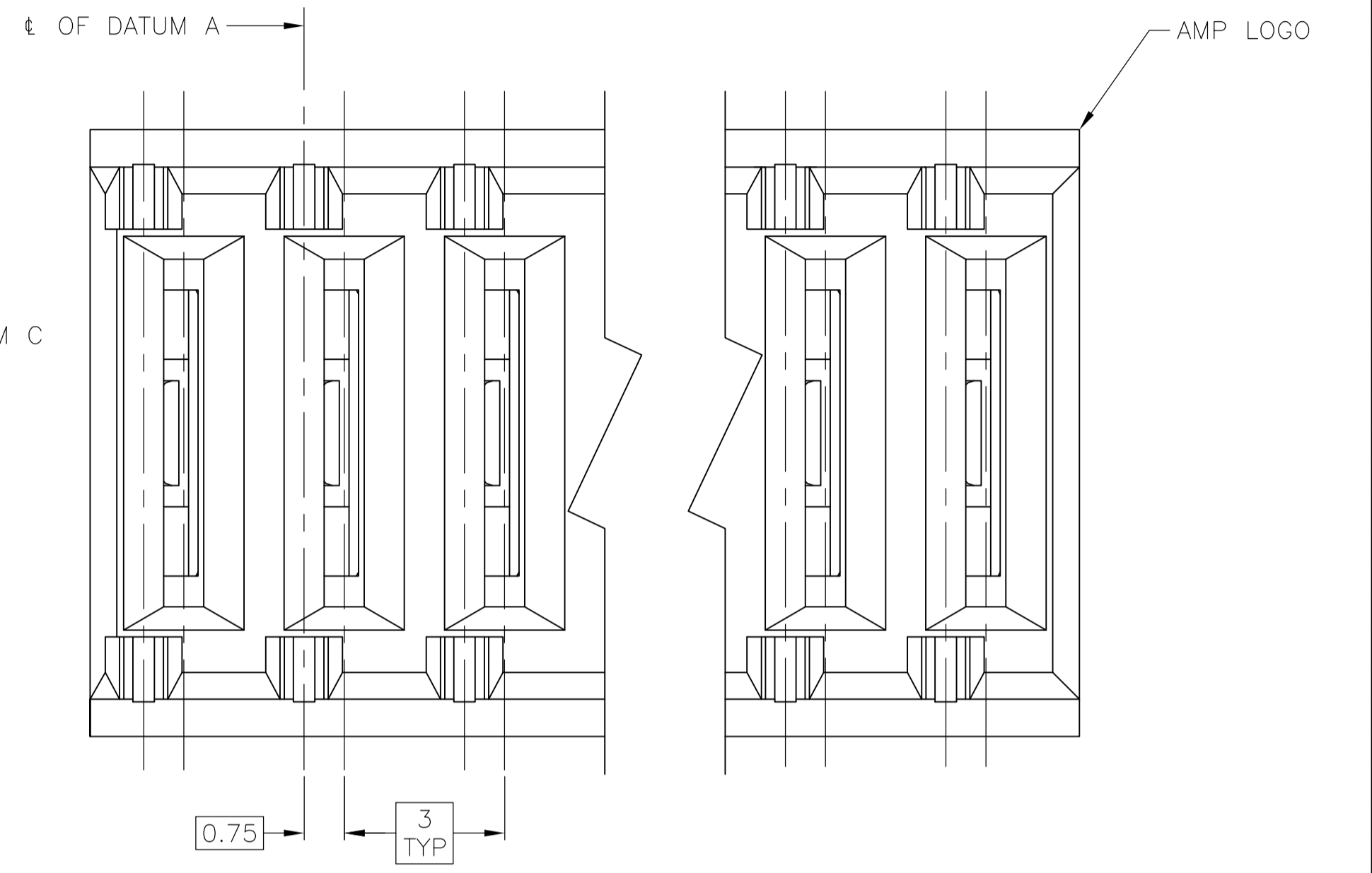
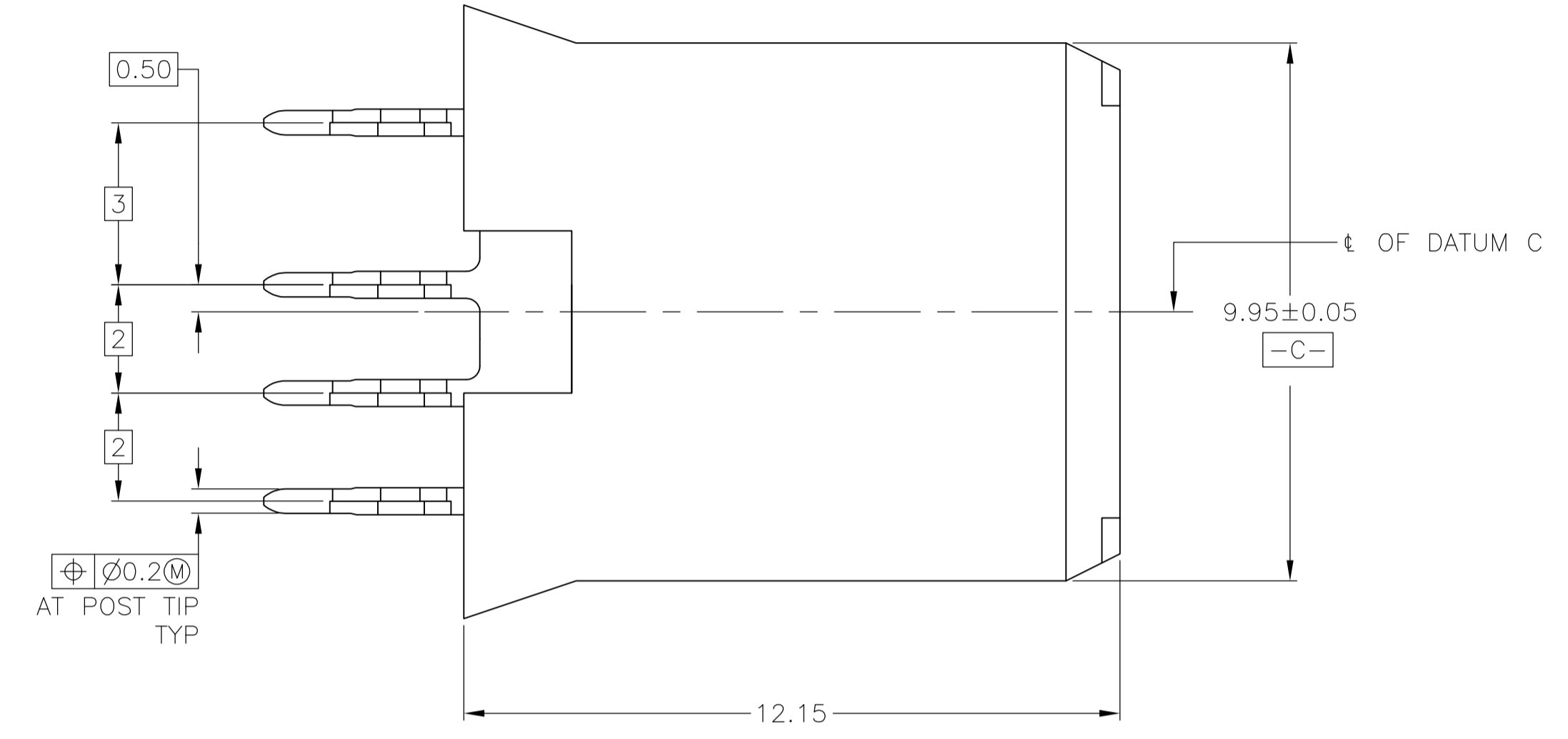
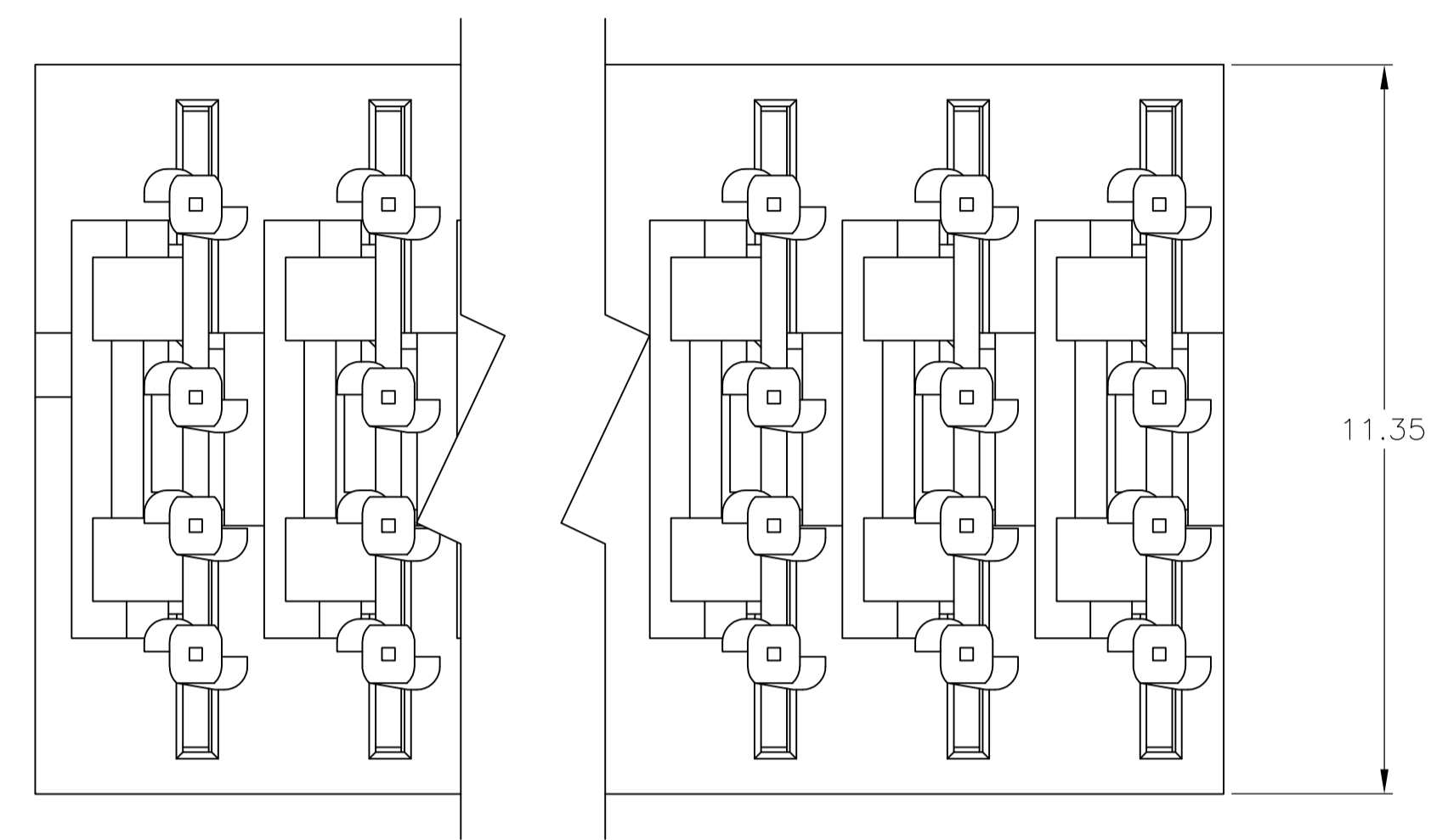


- 1 MATERIAL: HOUSING : POLYESTER, COLOR, GRAY. UL 94V-0.
CONTACT: PHOSPHOR BRONZE.
- 2 FINISH: CONTACT MATING AREA: 1.27μm MINIMUM GOLD OR 0.08μm MIN GOLD OVER
0.76μm MIN PALLADIUM-NICKEL.
ACTION PIN AREA, 0.5μm MINIMUM TIN PLATE,
ALL OVER 1.27μm MINIMUM NICKEL UNDERPLATE.
- 3 TOLERANCE TO BE ±0.28 AFTER CONNECTOR IS APPLIED TO PC BOARD.
- 4 DATE CODE THIS APPROXIMATE AREA, OPPOSITE SIDE.
- 5 REFERENCE APPLICATION SPEC 114-1103 FOR
RECOMMENDED PLATED THRU HOLE DIAMETER AND
PLATING THICKNESS.
- 6 TOLERANCE TO BE +0.5/-0.1 BEFORE CONNECTOR IS APPLIED TO PC BOARD.
- 7 CURRENT RATING 10A/CONTACT PER PRODUCT SPEC 108-1651.



RECOMMENDED PCB HOLE LAYOUT

12	36.5	11	5223995-9
11	33.5	10	5223995-8
10	30.5	9	5223995-7
9	27.5	8	5223995-6
8	24.5	7	5223995-5
7	21.5	6	5223995-4
6	18.5	5	5223995-3
5	15.5	4	5223995-2
4	12.5	3	5223995-1
POSITION	B REF	A	PART NUMBER

THIS DRAWING IS A CONTROLLED DOCUMENT.

DIMENSIONS: mm	TOLERANCES UNLESS OTHERWISE SPECIFIED:	DIN B CARDO 14DEC04	tyco Electronics Tyco Electronics Corporation Harrisburg, PA 17105-3608
0 PLC ± -	1 PLC ± -	CIK R PATTERSON 14DEC04	APVD R PATTERSON 14DEC04
2 PLC ± 0.13	3 PLC ± -	NAME RECEPTACLE ASSEMBLY, UNIVERSAL POWER MODULE	
4 PLC ± -	ANGLES ± -	APPLICATION SPEC	
MATERIAL 1	FINISH 2	SIZE A1	SCALE 10:1
CUSTOMER DRAWING		WEIGHT	RESTRICTED TO
		00779	1 OF 1
		5223995	REV 03