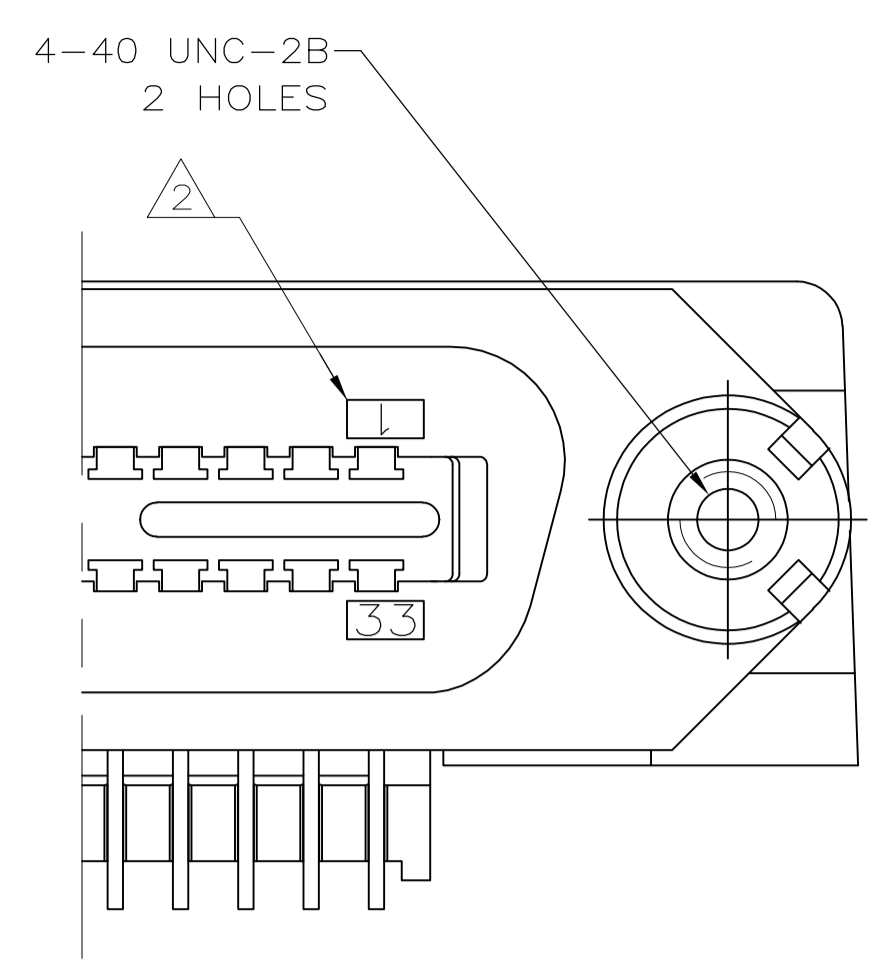
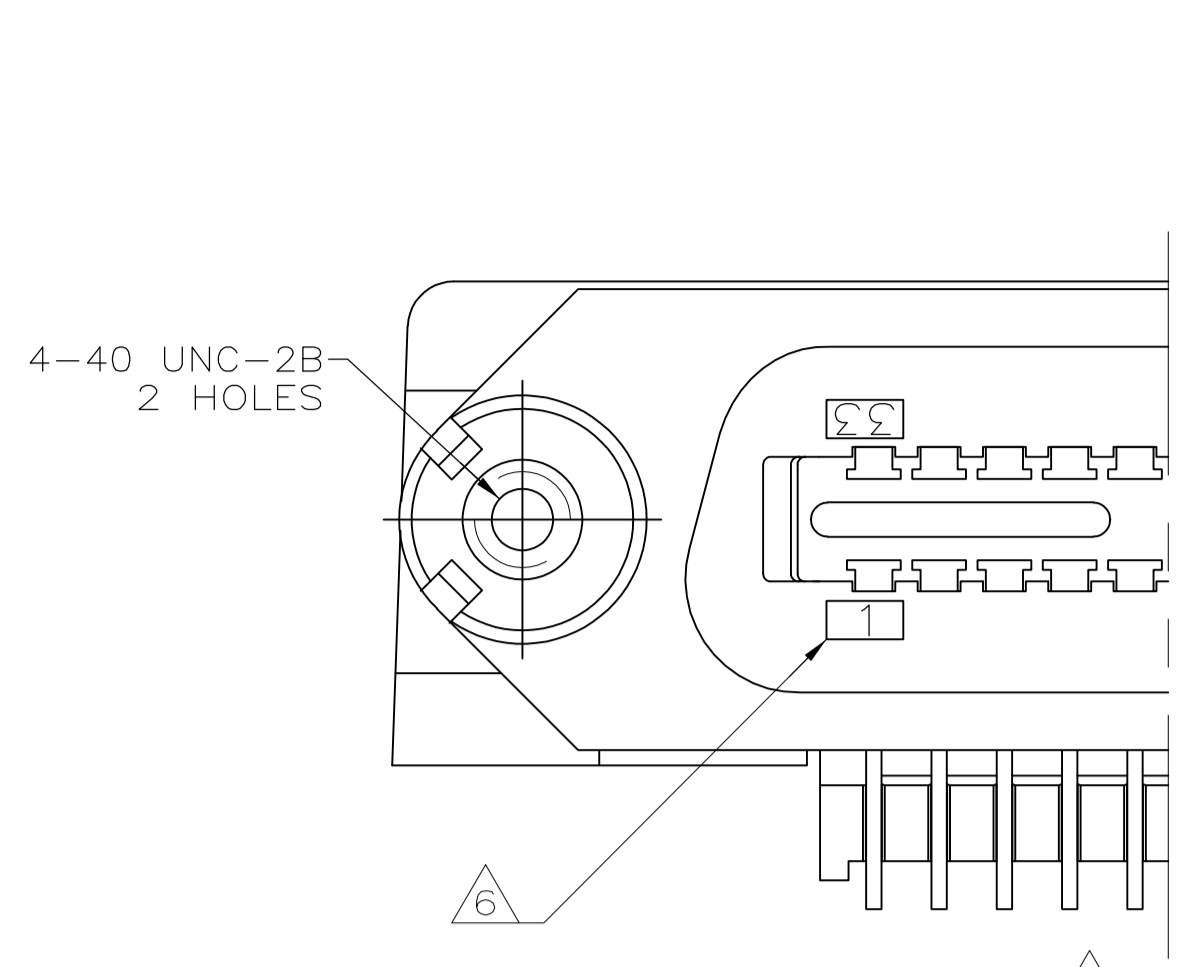


SUGGESTED REAR PANEL MOUNTING CUTOUT DIMENSIONS
 SCALE 2:1

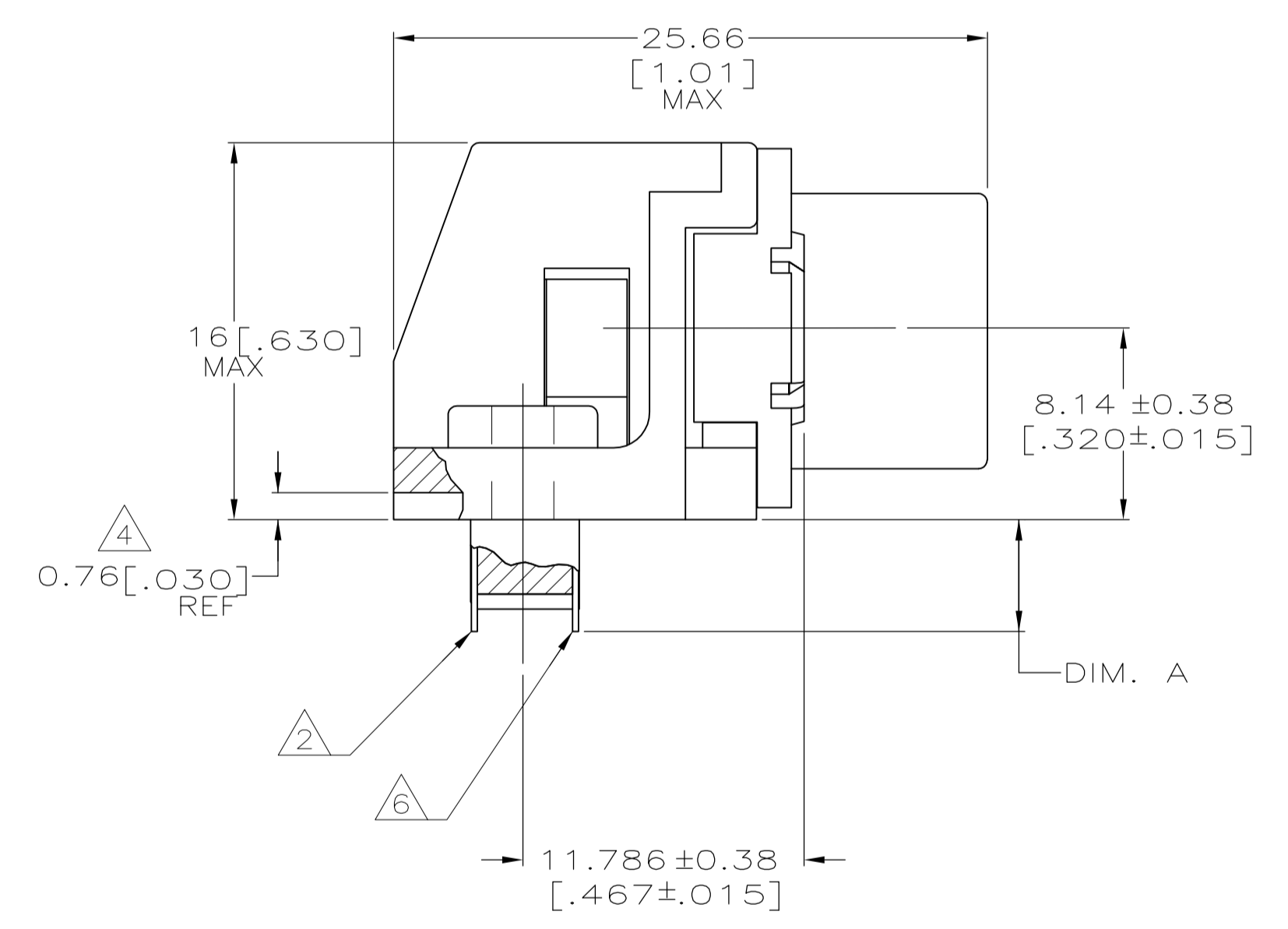
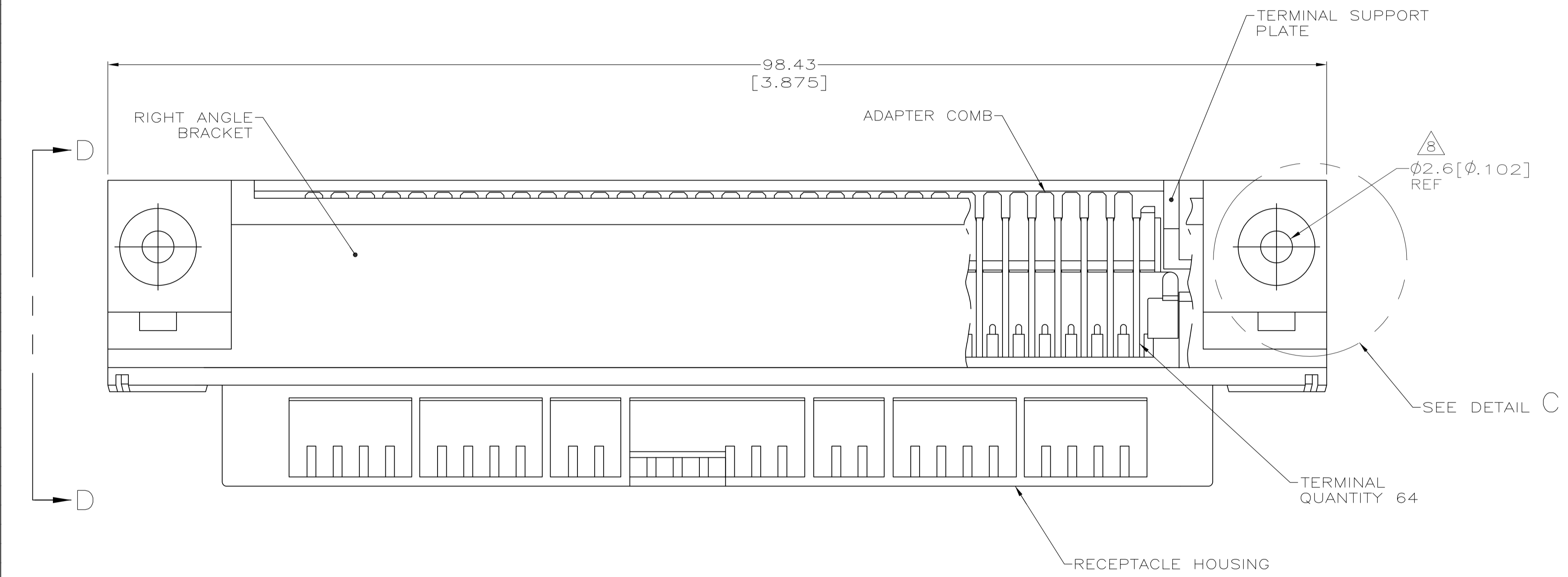


DETAIL A STANDARD ORIENTATION

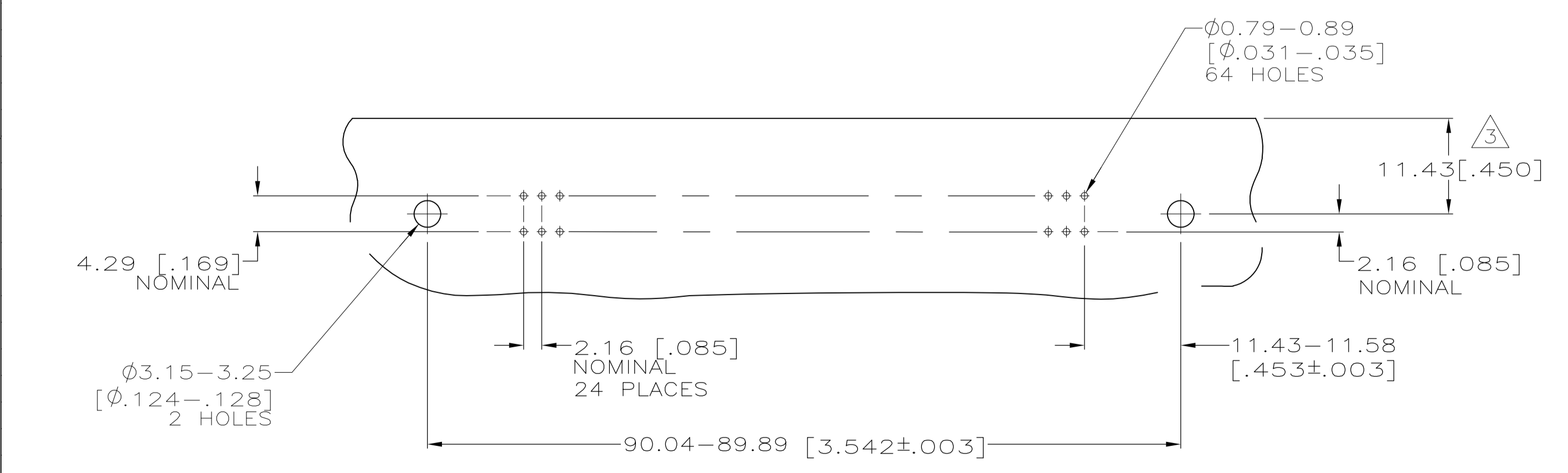


DETAIL B REVERSE ORIENTATION

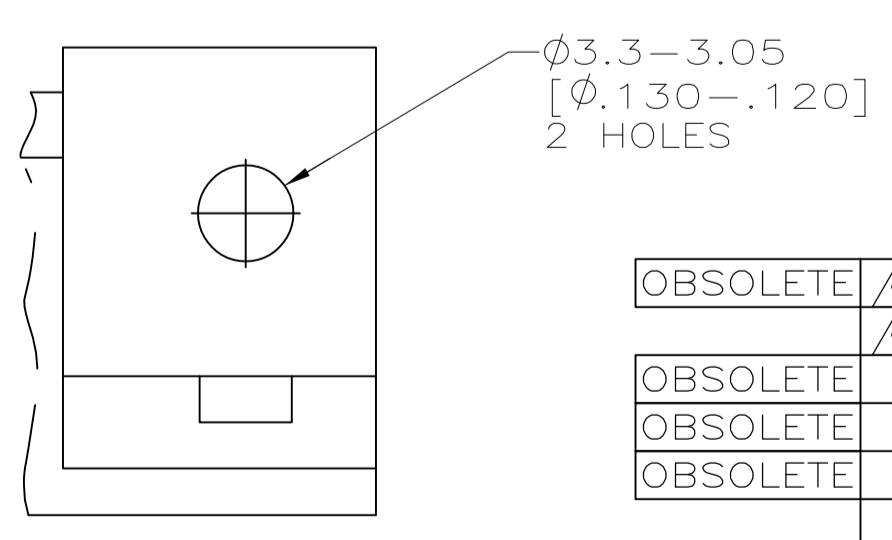
- 1 MATERIAL: HOUSING, BRACKET, PLATE & COMB - THERMOPLASTIC, BLACK, 94V-0 RATED. TERMINALS - HIGH STRENGTH COPPER ALLOY PLATED WITH EITHER 0.76µm [.000030] MIN GOLD PLATE OR GOLD FLASH OVER PALLADIUM NICKEL PLATE 0.76µm [.000030] MIN TOTAL ON MATING SURFACE. 3.05µm [.000120] MIN TIN-LEAD PLATE ON TAILS. ALL OVER 1.27µm [.000050] MIN NICKEL UNDERPLATE OVER ENTIRE TERMINAL. THREADED INSERT - #4-40 UNC, BRIGHT ZINC PLATED BRASS.
- 2 TERMINAL 1 IS LOCATED IN THIS ROW FOR STANDARD ORIENTATION, 552744-1, AND -5.
- 3 MAXIMUM DIMENSION FOR REAR PANEL MOUNTING.
- 4 TERMINAL SUPPORT PLATE CLEARANCE FOR TERMINAL STRAIN RELIEF AND FLUX REMOVAL.
- 5 MAXIMUM PANEL THICKNESS: 1.57 [.062].
- 6 TERMINAL 1 IS LOCATED IN THIS ROW FOR REVERSE ORIENTATION, 552744-2, -4, AND -6 ONLY.
- 7 DETAILS "A" AND "B" ARE VIEWED FROM MATING SIDE OF RECEPTACLE ASSEMBLY.
- 8 FOR USE WITH A NO.4 BT TYPE SELF-TAPPING SCREW.
- 9 552744-1, -2, -4 THRU -6 ARE TAPPED 4-40; -7 AND -8 USE 4-40 THREADED INSERTS.
- 10 INSERT SHALL WITHSTAND 8 INCH-POUNDS OF TORQUE WITHOUT CRACKING HOUSING OR LOOSENING.



VIEW D-D
 ROTATED 90° CCW



SUGGESTED PRINTED CIRCUIT BOARD MOUNTING DIMENSIONS
 SCALE 2:1



DETAIL C (THRU-BOLT)

OBSOLETE	9	10	THREADED INSERT	2.54±0.38 [.100±.015]	8	SELF-TAPPING	SEE DETAIL B	552744-8
OBSOLETE	9	10	THREADED INSERT	2.54±0.38 [.100±.015]	8	SELF-TAPPING	SEE DETAIL A	552744-7
OBSOLETE			TAPPED HOLE	2.54±0.38 [.100±.015]	8	SELF-TAPPING	SEE DETAIL B	552744-6
OBSOLETE			TAPPED HOLE	2.54±0.38 [.100±.015]	8	SELF-TAPPING	SEE DETAIL A	552744-5
OBSOLETE			TAPPED HOLE	4.75±0.38 [.187±.015]		THRU-BOLT(SEE DETAIL C)	SEE DETAIL B	552744-4
OBSOLETE			TAPPED HOLE	4.75±0.38 [.187±.015]		SELF-TAPPING	SEE DETAIL B	552744-2
OBSOLETE			TAPPED HOLE	4.75±0.38 [.187±.015]		SELF-TAPPING	SEE DETAIL A	552744-1
			THREAD TYPE	DIM. A		TYPE OF MOUNTING	DESCRIPTION	PART NUMBER

THIS DRAWING IS A CONTROLLED DOCUMENT.

DIMENSIONS: mm [INCHES]	TOLERANCES UNLESS OTHERWISE SPECIFIED:	0 PLC ± -	1 PLC ± -	2 PLC ± -	3 PLC ± 0.13[.005]	4 PLC ± -	ANGLES ± -
-------------------------	----------------------------------------	-----------	-----------	-----------	--------------------	-----------	------------

MATERIAL	FINISH	SIZE	CAGE CODE	DRAWING NO	RESTRICTED TO
		A1	00779	552744	

CUSTOMER DRAWING SCALE 4:1 SHEET 1 of 1 REV V