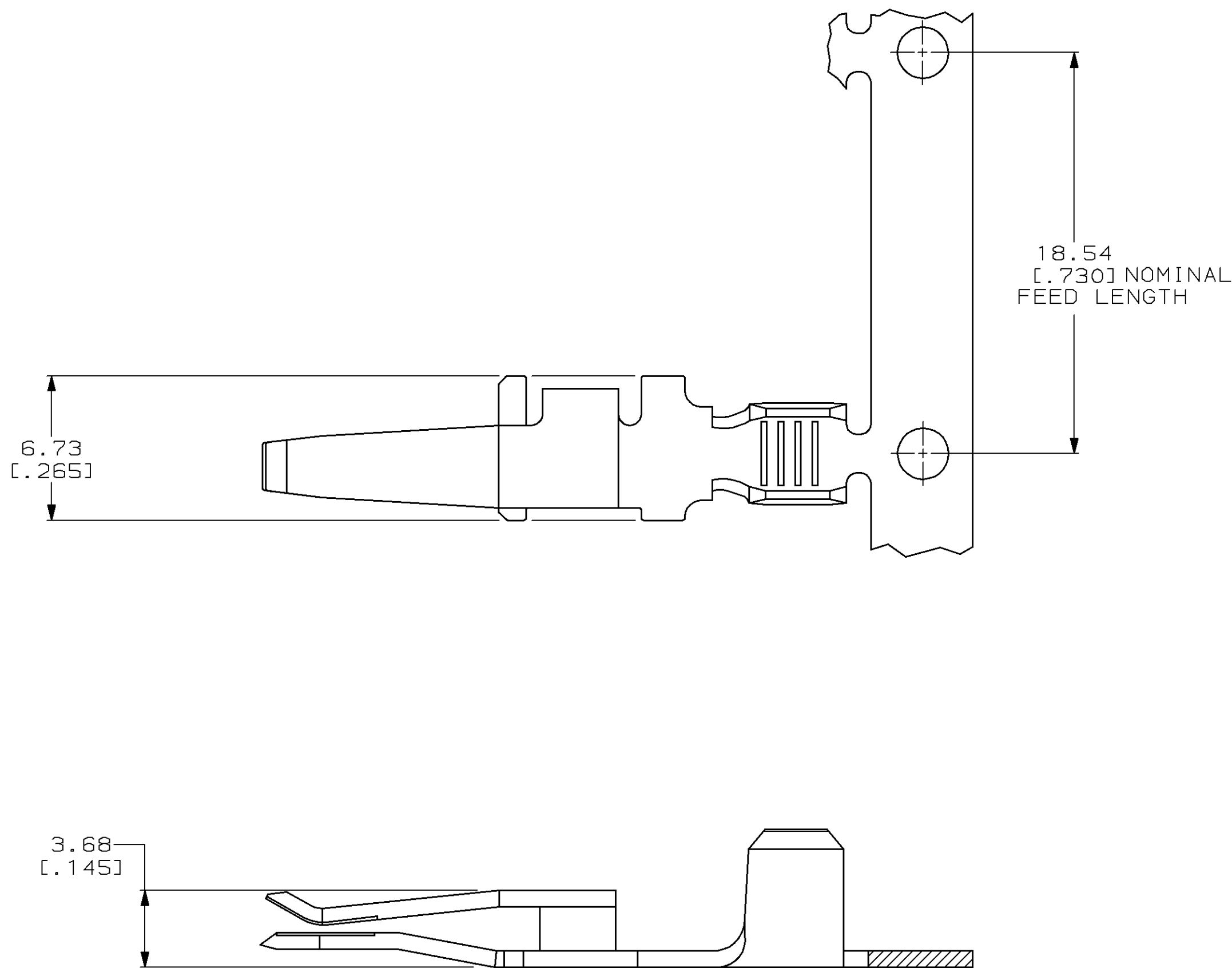


THIS DRAWING IS UNPUBLISHED. RELEASED FOR PUBLICATION
 © COPYRIGHT 19 BY AMP INCORPORATED. ALL RIGHTS RESERVED.

LOC	DIST	REVISIONS			
P	LTR	DESCRIPTION	DATE	DWN	APVD
FT	60	A	REV & REDRAW ON CAD PER EC 0320-70-97	11 MAR 97	-



- ① ALL DIMENSIONS ARE MAXIMUM UNLESS OTHERWISE SPECIFIED.
- ② COPPER ALLOY.
- ③ 2.54µm [.000100] MIN TIN.
- 4. WIRE BARREL WILL ACCEPT ONE 10 OR 12 AWG STRANDED WIRE OR COMBINATIONS OF 12,18,16 AND 14 AWG WIRE.
- 5. THIS TERMINAL IS USED WITH HOUSING 556137 AND MOUNTING ADAPTER 557313-1.
- 6. APPLICATOR REEL: 567256-3 FOR "T" TERMINATOR, 567256-4 FOR AMP-O-ELECTRIC™ MODEL "K" MACHINE 565435-5.
- 7. HAND TOOL-LOOSE PIECE.

PACKAGING	DESCRIPTION	PART NUMBER
200 TERMINALS PER BOX	LOOSE PIECE	556136-2
2000 TERMINALS ON 24" DIA REEL	ON STRIP	556136-1

THIS DRAWING IS A CONTROLLED DOCUMENT.		DWN M. BINNER 11 MAR 97	AMP Incorporated Harrisburg, PA 17105-3608
DIMENSIONS: mm [INCHES]		CHK R. STONE 14 MAR 97	
TOLERANCES UNLESS OTHERWISE SPECIFIED:		APVD M. McALONIS 17 MAR 97	NAME
0 PLC ±-	①	PRODUCT SPEC	108-1373
1 PLC ±-		APPLICATION SPEC	114-6051
2 PLC ±-		WEIGHT	-
3 PLC ±-		SIZE	A2
4 PLC ±-		CAGE CODE	00779
ANGLES ±-		DRAWING NO	556136
FINISH ③		SCALE	5:1
MATERIAL ②		SHEET 1 OF 1	
CUSTOMER DRAWING		REV A	

Current Brand View

AMP

[View All Tyco Electronics Brands](#)

Click to activate links to all other products

Power Wiring Devices

AMPINNERGY Connectors and Contacts

AMP

556136-2 -- 1 of 6 products

Active

[Active](#)

(Tyco Electronics P/N: 556136-2)

Next	Sales Information	AMP ACES	Step Search Screen
		Related Documents	General Information
		Pricing	Product Availability

Please use the customer drawing for all design activity.

- Customer Drawing: 556136, Rev. A

Document Title: TERMINAL, 12-10 AWG, FOLDED CRIMP, WTW, AMPINNERGY@PZTM

[186011.pdf](#) [186011.pdf](#) (29K)

The photographs and/or line drawings below are representative images of a product for viewing purposes only.

[Product Photo](#)

Searchable Features:

Brand:	AMP
Application:	Wire-to-Wire
Product Type:	Power Contact
Terminate To:	Wire
Wire Size (mm ² [AWG]):	10-12
Packaging Method:	Loose Piece

Other Properties:

Contact Material:	Copper Alloy
Contact Mating Area Plating:	Tin
Packaging Quantity:	200/Box
CERTI-CRIMP Hand Tool:	69710-1
Die Set:	58490-1, 58491-1
Pneumatic Tool:	189722-2 (Foot Pedal)
Pneumatic C-Head Adapter:	318161-1
Adapter Holder:	356304-1

- [Home](#)
- [Part Number Search](#)
- [Text Search](#)
- [Alternate Part Search](#)
- [Multiple Part Comparison](#)
- [Alphabetical Search](#)
- [Brand Search](#)
- [Industry Product Search](#)
- [Product Type Search](#)
- [Product Family Search](#)
- [Competitor Cross Reference](#)
- [Document Number Search](#)
- [Lead Free Solutions](#)
- [Help/Glossary](#)

[Copyright](#) and [Privacy Statement](#)

Visit [Tyco International, Ltd.](#)

[Products](#) | [eCatalog](#) | [Brands](#) | [Industries](#) | [eCommerce](#) | [Customer Service](#) | [About](#) | [Home](#)