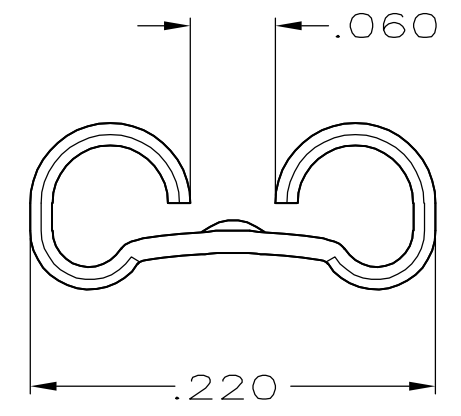
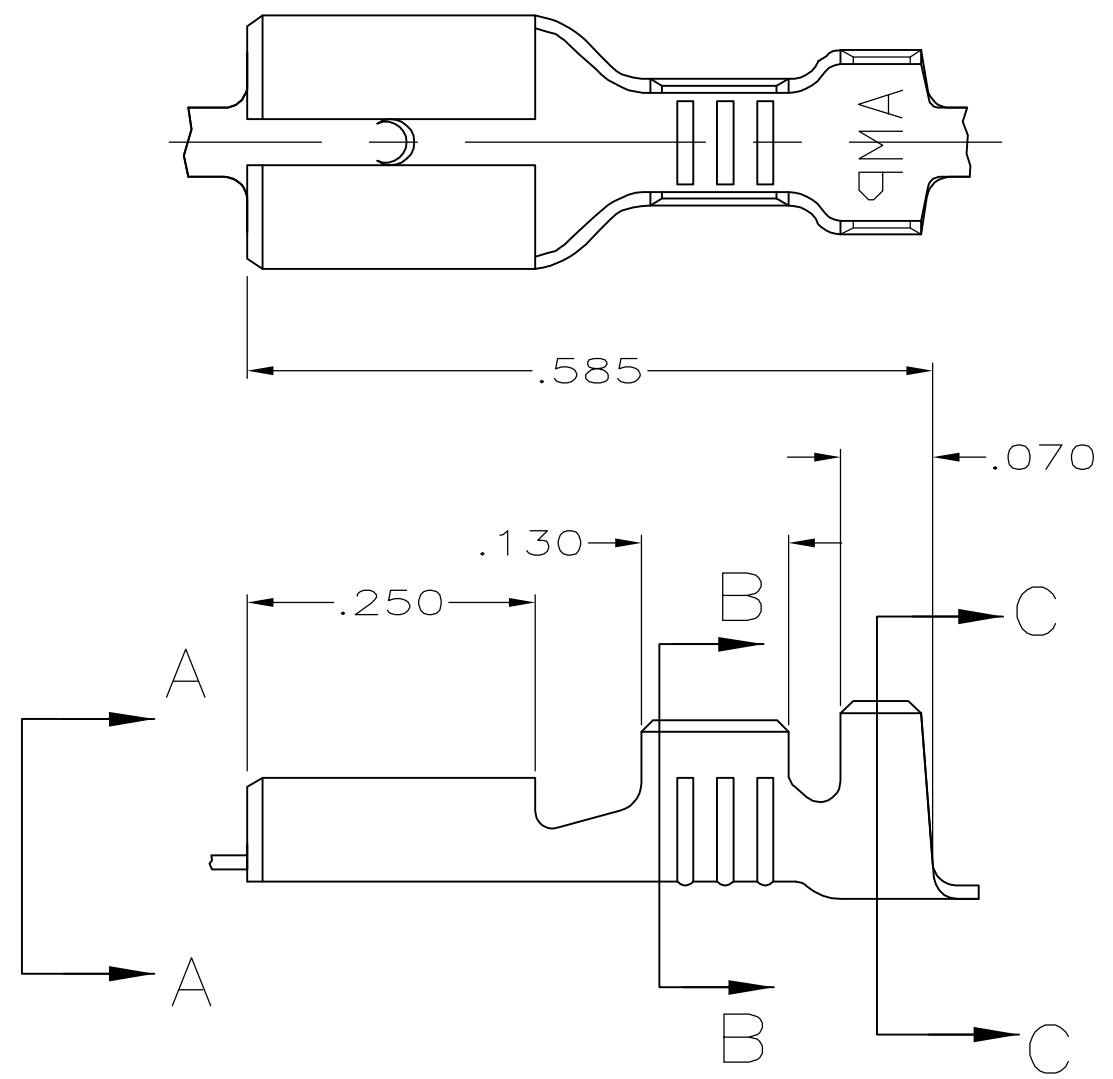


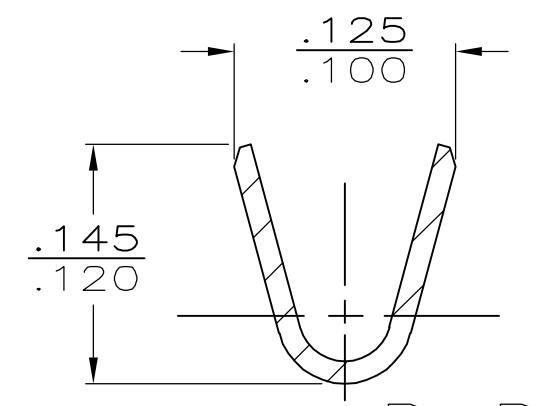
THIS DRAWING IS UNPUBLISHED. RELEASED FOR PUBLICATION
 © COPYRIGHT BY TYCO ELECTRONICS CORPORATION. ALL RIGHTS RESERVED.

LOC	DIST	REVISIONS			
P	LTR	DESCRIPTION	DATE	DWN	APVD
AF	50	W	REV PER ECR 06-018605	24OCT06	JR PD

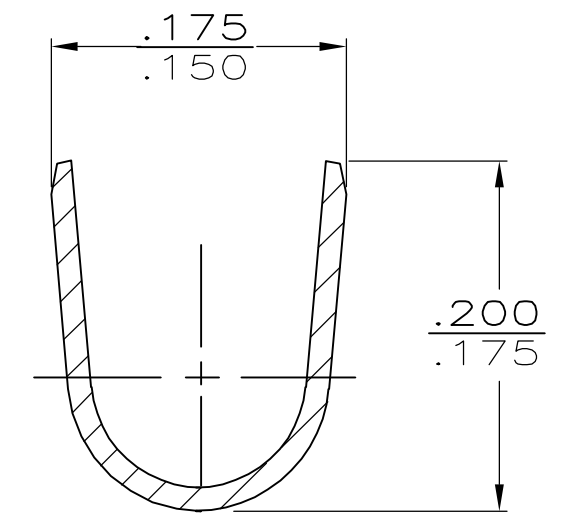
- 1 CONTINUOUS STRIP ON REELS
- 2 MATING TAB THK IS $.020 \pm .001$
- 3 WIRE SIZE IS #20-#16 AWG
- 4 INSULATION RANGE IS $.090-.130$ DIA



VIEW A-A
SCALE 8:1



SECTION B-B
SCALE 8:1



SECTION C-C
SCALE 8:1

TIN	#4H BRASS	60214-2
-	#4H BRASS	60214-1
FINISH	MATERIAL	PART NO.

THIS DRAWING IS A CONTROLLED DOCUMENT.		DWN	JR RUTH	10/27/89	Tyco Electronics Corporation Harrisburg, PA 17105-3608			
DIMENSIONS: INCHES		CHK	MS FEHER	10/27/89				
		APVD	C MEYERS	10/27/89				
TOLERANCES UNLESS OTHERWISE SPECIFIED:		PRODUCT SPEC		NAME				
0 PLC ± - 1 PLC ± - 2 PLC ± - 3 PLC ± .015 4 PLC ± - ANGLES ± -		APPLICATION SPEC		RECEPTACLE, FASTON, .187 SERIES				
MATERIAL	SEE TABLE	FINISH	SEE TABLE	WEIGHT	SIZE	CAGE CODE	DRAWING NO	RESTRICTED TO
				-	A3	00779	C-60214	-
CUSTOMER DRAWING				SCALE	6:1	SHEET	1 OF 1	REV
								W