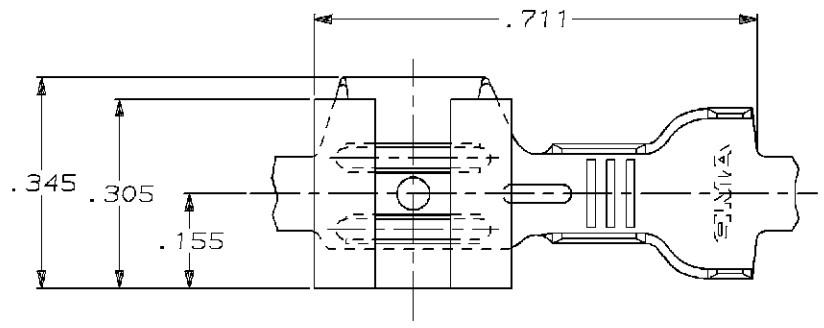


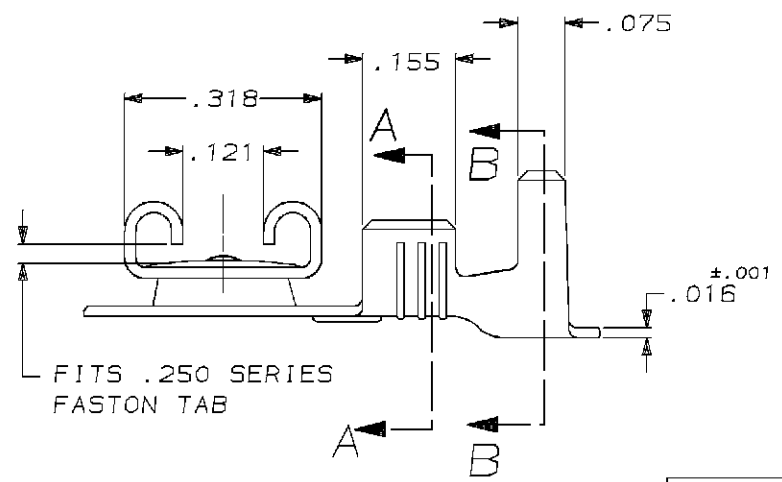
4
DRAWING MADE IN THIRD ANGLE PROJECTION

THIS DRAWING IS UNPUBLISHED. RELEASED FOR PUBLICATION .19
 © COPYRIGHT 19 BY AMP INCORPORATED. ALL INTERNATIONAL RIGHTS RESERVED.

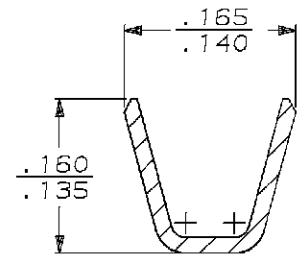
LOC	DIST	REVISIONS				DATE	APPD
AF	50	P	F	ZONE	LTR	DESCRIPTION	
					H	REV PER 0250-94	5/27/84 JR/CM



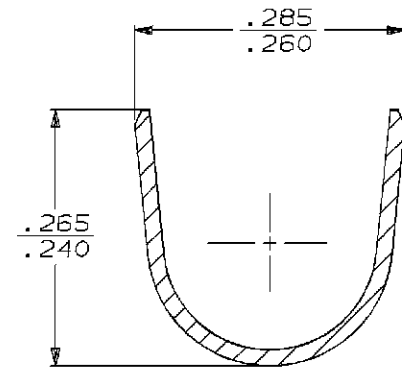
1 CONTINUOUS STRIP ON REELS.
 △ TIN PLATE .000080 MIN THK



FITS .250 SERIES FASTON TAB



SECTION A-A
SCALE 8:1



SECTION B-B
SCALE 8:1

OBSOLETE	TIN △	.170-.220	18-14	.032	60764-2
	-	.170-.220	18-14	.032	60764-1
	FINISH	INSUL RANGE	WIRE SIZE	MATING TAB THK ±.001	PART NO

DO NOT SCALE PRINT. UNLESS SPECIFIED DIMENSIONS ARE IN INCHES TOLERANCES ON: 2 PLC DEC ± - 3 PLC DEC ± .015 ANGLES ± -	DR 2/28/80	AMP INCORPORATED Harrisburg, Pa. 17105
	CHK 2/28/80	
APPD 2/28/80	NAME	
APPD 2/28/80		
MATERIAL	PRODUCT SPEC	
4M BRASS	-	
FINISH	APPLICATION SPEC	SIZE
SEE TABLE	114-2032	B
	WEIGHT	CAGE CODE
	-	00779
		DRAWING NO
		60764
		SCALE
		5:1
		SHEET
		1 OF 1

RECEPTACLE, FASTON™ FLAG, REVERSIBLE, .250 SERIES