

THIS DRAWING IS UNPUBLISHED.

RELEASED FOR PUBLICATION

© COPYRIGHT - BY TYCO ELECTRONICS CORPORATION.

ALL INTERNATIONAL RIGHTS RESERVED.

LOC
AF

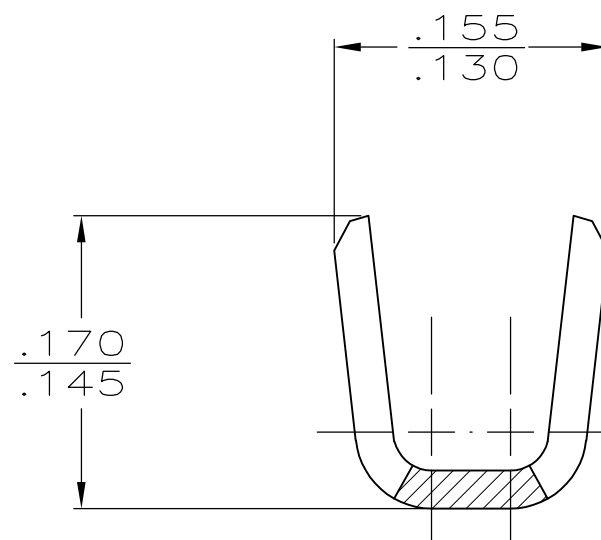
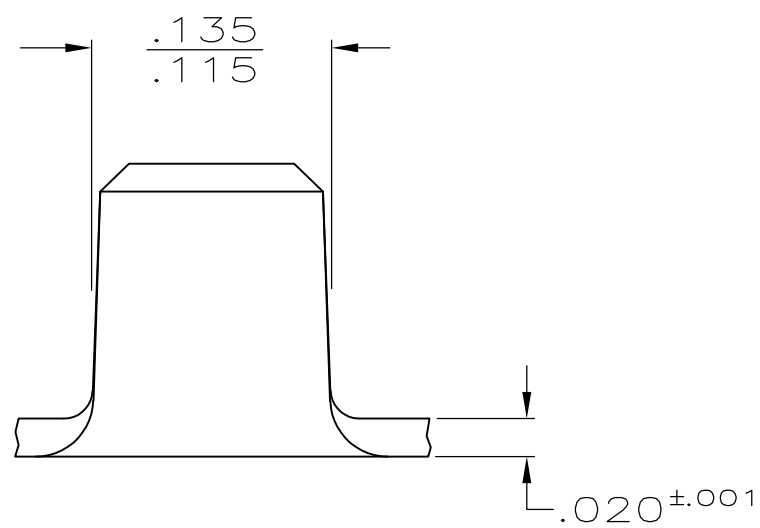
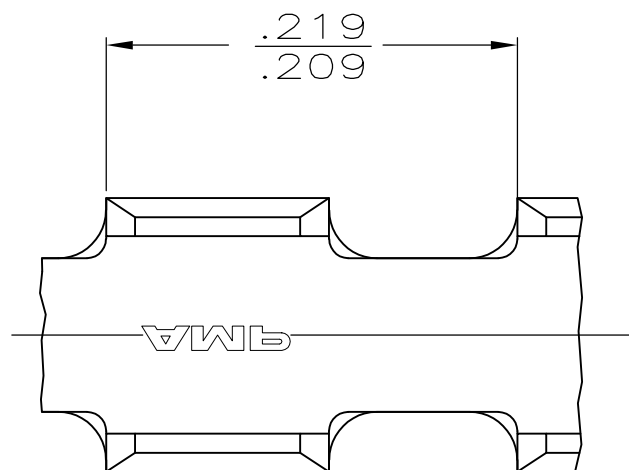
DIST
50

REVISIONS

| P | LTR | DESCRIPTION | DATE | DWN | APVD |
|---|-----|---------------------------|---------|-----|------|
| | L | REVISED PER ECR-08-028940 | 02MAR09 | HMR | GP |

1 PRODUCT PROVIDED IN STRIP FORM ON REELS;
BREAKS MAY BE PRESENT.

2 WIRE RANGE FOR NEW APPLICATIONS: 2500-4700 CMA
(WIRE RANGE APPROVED FOR APPLICATIONS
IMPLEMENTED PRIOR TO 2005: 2048-4217 CMA).



| | | | |
|------------------|--------|----------|----------|
| 2 | NONE | BRASS | 60932-4 |
| | TIN | STEEL | 60932-2 |
| WIRE SIZE CMA | FINISH | MATERIAL | PART NO. |

THIS DRAWING IS A CONTROLLED DOCUMENT.

| DIMENSIONS: INCHES | TOLERANCES UNLESS OTHERWISE SPECIFIED: |
|-----------------------|---|
| | 0 PLC ± - |
| | 1 PLC ± - |
| | 2 PLC ± - |
| | 3 PLC ± .015 |
| | 4 PLC ± - |
| ANGLES ± - | |

MATERIAL
SEE TABLE

FINISH
SEE TABLE

| | | | | |
|------------------------------|---|--------|-----------|---------------|
| DWN DK SCHRUM 5/18/89 | Tyco Electronics Corporation Harrisburg, PA 17105-3608 | NAME | | RESTRICTED TO |
| CHK JR RUTH 7/13/89 | | SPLICE | | |
| APVD D SCHWENK 7/13/89 | | SIZE | CAGE CODE | |
| PRODUCT SPEC | A3 00779 | | C-60932 | — |
| APPLICATION SPEC | 114-2088 | | SCALE | 10:1 |
| WEIGHT | - | | SHEET | 1 OF 1 |
| CUSTOMER DRAWING | | | REV | L |