

4
DRAWING MADE IN THIRD ANGLE PROJECTION

3

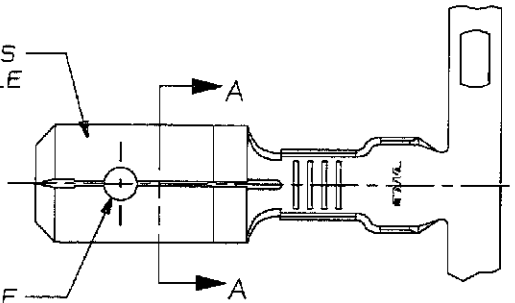
2

1

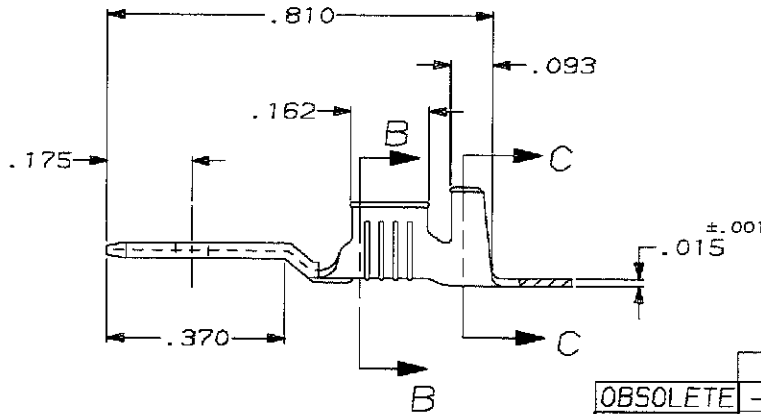
THIS DRAWING IS UNPUBLISHED. RELEASED FOR PUBLICATION
 © COPYRIGHT 19 BY AMP INCORPORATED. ALL INTERNATIONAL RIGHTS RESERVED.

LOC	DIST	P	F	ZONE	LTR	REVISIONS	DATE	APPO
AF	50				G	REV PER 0413-93	11/12/93	JR/MF

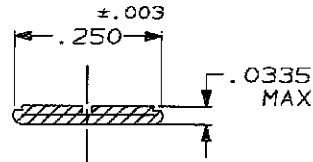
FITS .250 SERIES FASTON RECEPTACLE



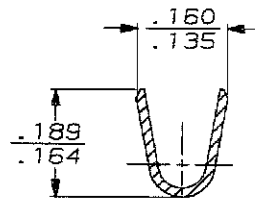
.075 DIA HOLE
.060



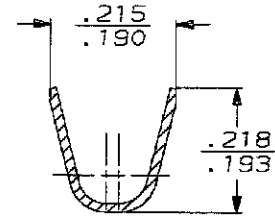
1 CONTINUOUS STRIP ON REELS.



SECTION A-A
SCALE 5:1



SECTION B-B
SCALE 5:1



SECTION C-C
SCALE 5:1

TIN .000080 MIN		.110-.170 DIA	14-12 AWG	61281-3
OBSOLETE	SILVER .000150 MIN			61281-2
FINISH		INSULATION RANGE	WIRE SIZE	PART NO
DO NOT SCALE PRINT. UNLESS SPECIFIED DIMENSIONS ARE IN INCHES TOLERANCES ON: 2 PLC DEC ± 3 PLC DEC ± .005 ANGLES ±		DR 1/31/91 JR RUTH	AMP Incorporated Harrisburg, PA 17105-3508	
MATERIAL #2H BRASS .015 THK REF		CHK 1/31/91 MS FEINER	NAME TAB, FASTON,™ .250 SERIES	
FINISH SEE TABLE		APPD 1/31/91 C MEYERS	SIZE B	CASE CODE 00779
		APPD 1/31/91 D REIMER	SCALE 4:1	DRAWING NO 61281
		PRODUCT SPEC		SHEET 1 OF 1
		APPLICATION SPEC		
		WEIGHT		

AMP 1470-15 REV 11-89

12-NOV-93 16:23:24 amp13469 /files/dept2121/dwg2121/u.tabs

CUSTOMER DRAWING