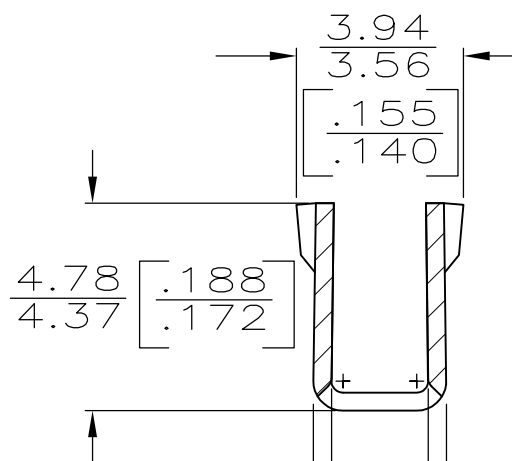
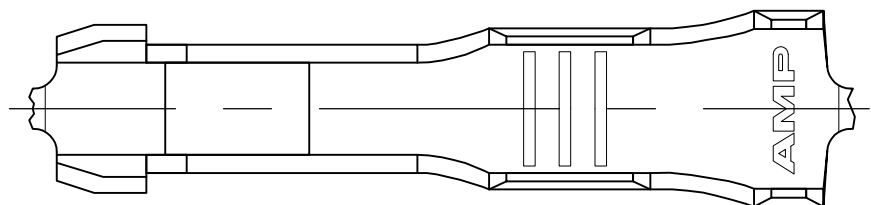
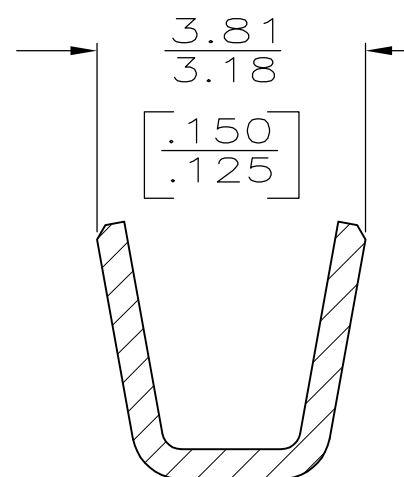
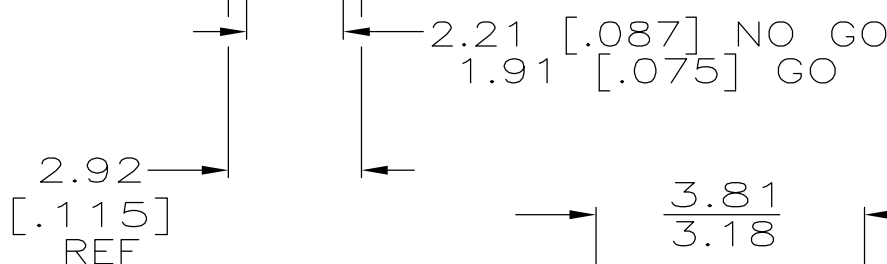
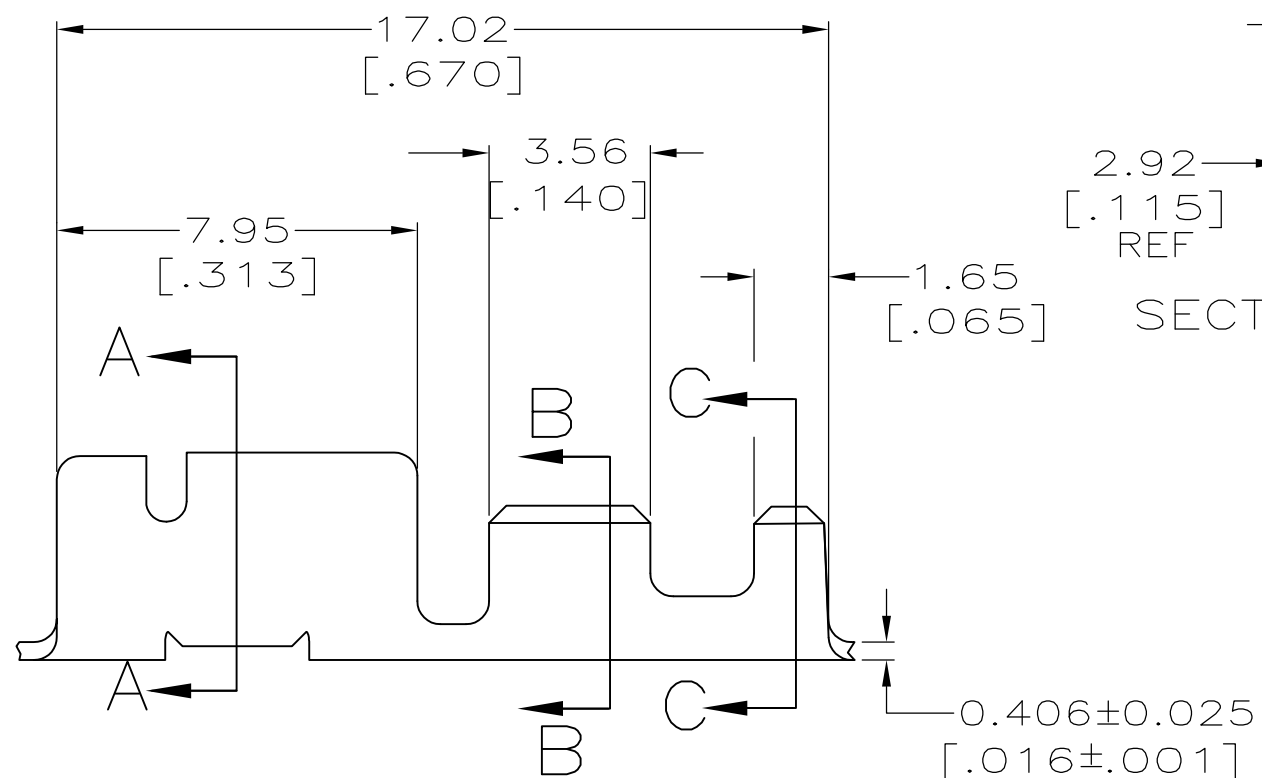


THIS DRAWING IS UNPUBLISHED. RELEASED FOR PUBLICATION
 © COPYRIGHT BY TYCO ELECTRONICS CORPORATION. ALL RIGHTS RESERVED.

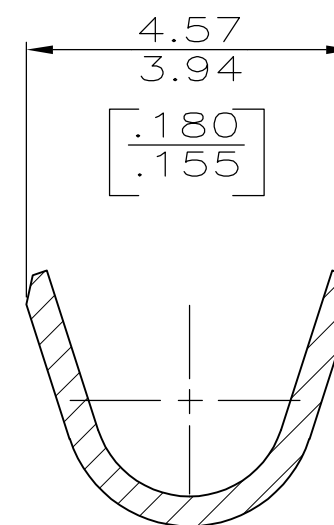
LOC	DIST	REVISIONS					
		P	LTR	DESCRIPTION	DATE	DWN	APVD
AF	50		Z4	REVISED PER ECR-08-005739	06MAR08	HMR	GP



- 1 CONTINUOUS STRIP ON REEL.
- 2 WIRE SIZE IS 18-16 AWG
- 3 INSULATION RANGE IS 1.50-2.62 [.059-.103] DIA.
- △4 0.002032 [.000080] MIN TIN PL
- △5 FOREIGN PRODUCTION ONLY - AMP BRAZIL.



SECTION B-B
SCALE 10:1



SECTION C-C
SCALE 10:1

MATERIAL	FINISH	PART NO
COPPER ALLOY	- △4	△5 62131-7
T3 PHOS BRONZE	△4	△5 62131-6
-	-	△5 62131-5
T3 PHOS BRONZE	△4	62131-3

THIS DRAWING IS A CONTROLLED DOCUMENT.		DWN 20/JAN/95 PHILLIP M FORTNEY	Tyco Electronics Corporation Harrisburg, PA 17105-3608	
DIMENSIONS: INCHES		CHK 20/JAN/95 JEFF R RUTH	NAME RECEPTACLE, CLUSTER PIN, 2.29 [.090] DIA	
TOLERANCES UNLESS OTHERWISE SPECIFIED:		APVD 20JAN95 R KUZO	SIZE A3	
0 PLC ± -		PRODUCT SPEC	CAGE CODE 00779	DRAWING NO C-62131
1 PLC ± -		APPLICATION SPEC	RESTRICTED TO	
2 PLC ± 0.25 [.010]		WEIGHT	SCALE 6:1	
3 PLC ± -			SHEET 1 OF 1	
4 PLC ± -			REV Z4	
ANGLES ± -				
FINISH				
SEE TABLE				
		CUSTOMER DRAWING		