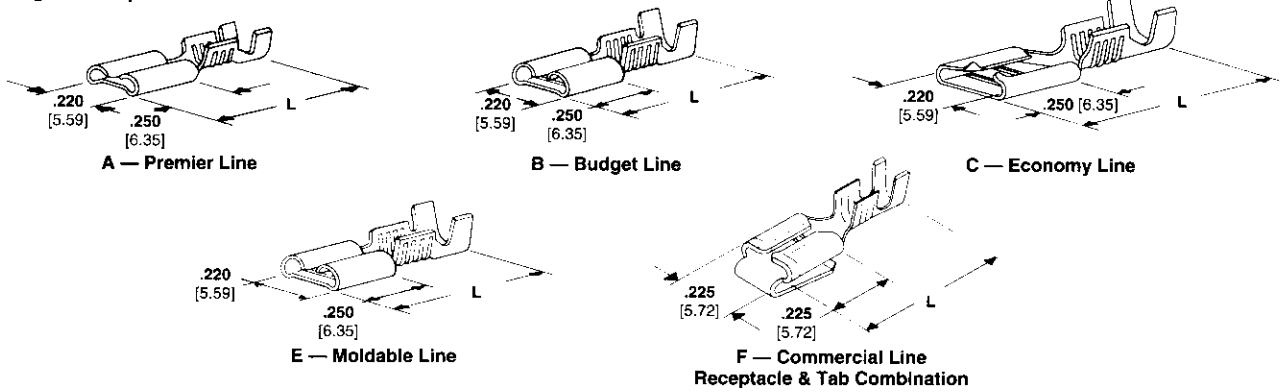


187 Series Receptacles

Straight Receptacles



FASTON Receptacles

Wire Range AWG	Style	Tab Fit	Insulation Diameter	Material and Finish	Stock Thickness	L (Overall Length)	UL	CSA	RoHS	Terminal Part Number
24-20	A	.020 0.51	.040-.070 1.02-1.78	Brass, Tin Plated	.012 0.31	.590 14.99	X ²	—	X ²	60573-1
		.020 0.51	.040-.070 1.02-1.78	Brass	.012 0.31	.590 14.99	X ²	—	X ²	60573-2
		.020 0.51	.040-.070 1.02-1.78	Phos Brz, Tin Plated	.012 0.31	.590 14.99	X	—	X	62187-2
		.020 0.51	.060-.110 1.52-2.79	Brass, Tin Plated	.012 0.31	.585 14.86	X ²	—	X ²	62138-1
		.020 0.51	.060-.110 1.52-2.79	Brass	.012 0.31	.585 14.86	X ²	—	X ²	62138-2
		.021 0.53	.060-.110 1.52-2.79	Brass, Tin Plated	.012 0.31	.590 14.99	—	—	—	1217129-1
22-18	B	.032 0.81	.090-.150 2.29-3.81	Brass, Tin Plated	.012 0.31	.585 14.86	X	—	X	63931-1
		.020 0.51	.090-.130 2.29-3.30	Brass	.012 0.31	.590 14.99	X	—	X	63347-1
	E	.020 0.51	.090-.130 2.29-3.30	Brass	.012 0.31	.585 14.86	X	—	X	63905-1
		.020 0.51	.060-.100 1.52-2.54	Brass, Tin Plated	.014 0.36	.615 15.62	X	—	X	63873-1 ⁵
	F	.020 0.51	.090-.130 2.29-3.30	Brass, Tin Plated	.014 0.36	.615 15.62	X	—	X	1217084-1 ⁵
		.015 0.38	—	Brass, Tin Plated	.012 0.31	.470 11.94	—	—	—	42374-2 ¹
20-16	A	.015 0.38	.090-.130 2.29-3.30	Brass, Tin Plated	.012 0.31	.590 14.99	—	—	—	42453-2
		.017 0.43	.090-.130 2.29-3.30	Phos Brz, Silver Plated	.012 0.31	.585 14.86	—	—	—	61084-1
		.020 0.51	—	Brass, Tin Plated	.012 0.31	.470 11.94	X	—	X	42373-2 ¹
		.020 0.51	—	Steel, Nickel Plated	.012 0.31	.470 11.94	—	X	X	42373-3 ¹
		.020 0.51	.060-.110 1.52-2.79	Brass	.012 0.31	.585 14.86	X	—	X	62137-1
		.020 0.51	.060-.110 1.52-2.79	Brass, Tin Plated	.012 0.31	.585 14.86	X	—	X	62137-2
		.020 0.51	.090-.130 2.29-3.30	Brass	.012 0.31	.590 14.99	X	—	X	42452-1
		.020 0.51	.090-.130 2.29-3.30	Brass, Tin Plated	.012 0.31	.590 14.99	X	—	X	42452-2
		.020 0.51	.090-.130 2.29-3.30	Phos Brz, Tin Plated	.012 0.31	.590 14.99	X	—	X	42452-5
		.020 0.51	.090-.130 2.29-3.30	Steel, Nickel Plated	.012 0.31	.590 14.99	—	X	X	60621-1

¹ No Insulation support.

² UL listed and CSA certified for 22- 20 AWG.

³ Also capable of accepting (2) 20 AWG wires.

⁴ Stress relieved.

⁵ Tab stock thickness .020 [0.51].