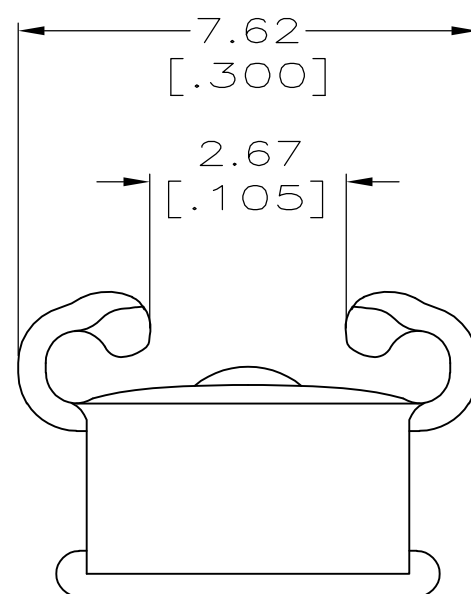
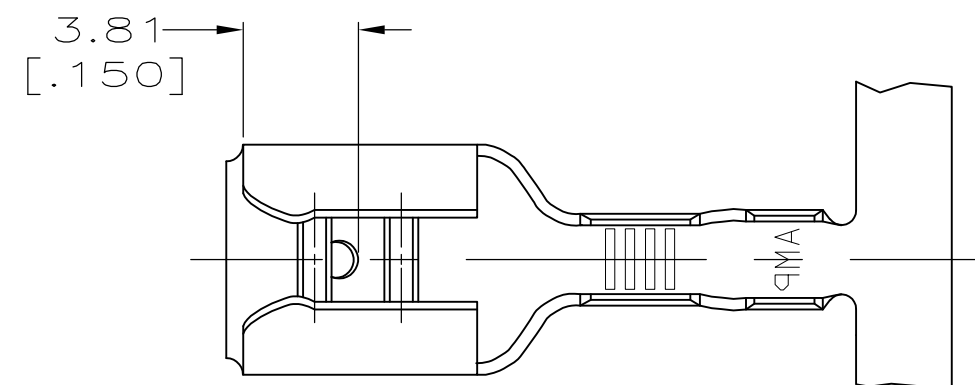


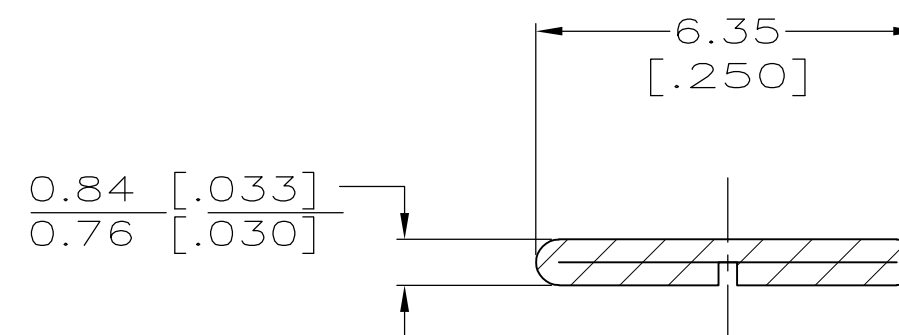
THIS DRAWING IS UNPUBLISHED. RELEASED FOR PUBLICATION
 © COPYRIGHT BY TYCO ELECTRONICS CORPORATION. ALL RIGHTS RESERVED.

LOC	DIST	REVISIONS			
P	LTR	DESCRIPTION	DATE	DWN	APVD
AF	50	G2	REVISED PER ECR-07-027728	27FEB08	HMR PD

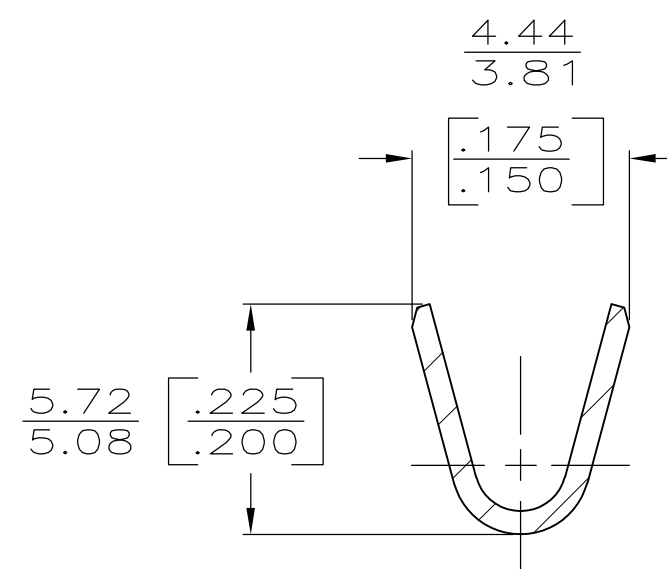
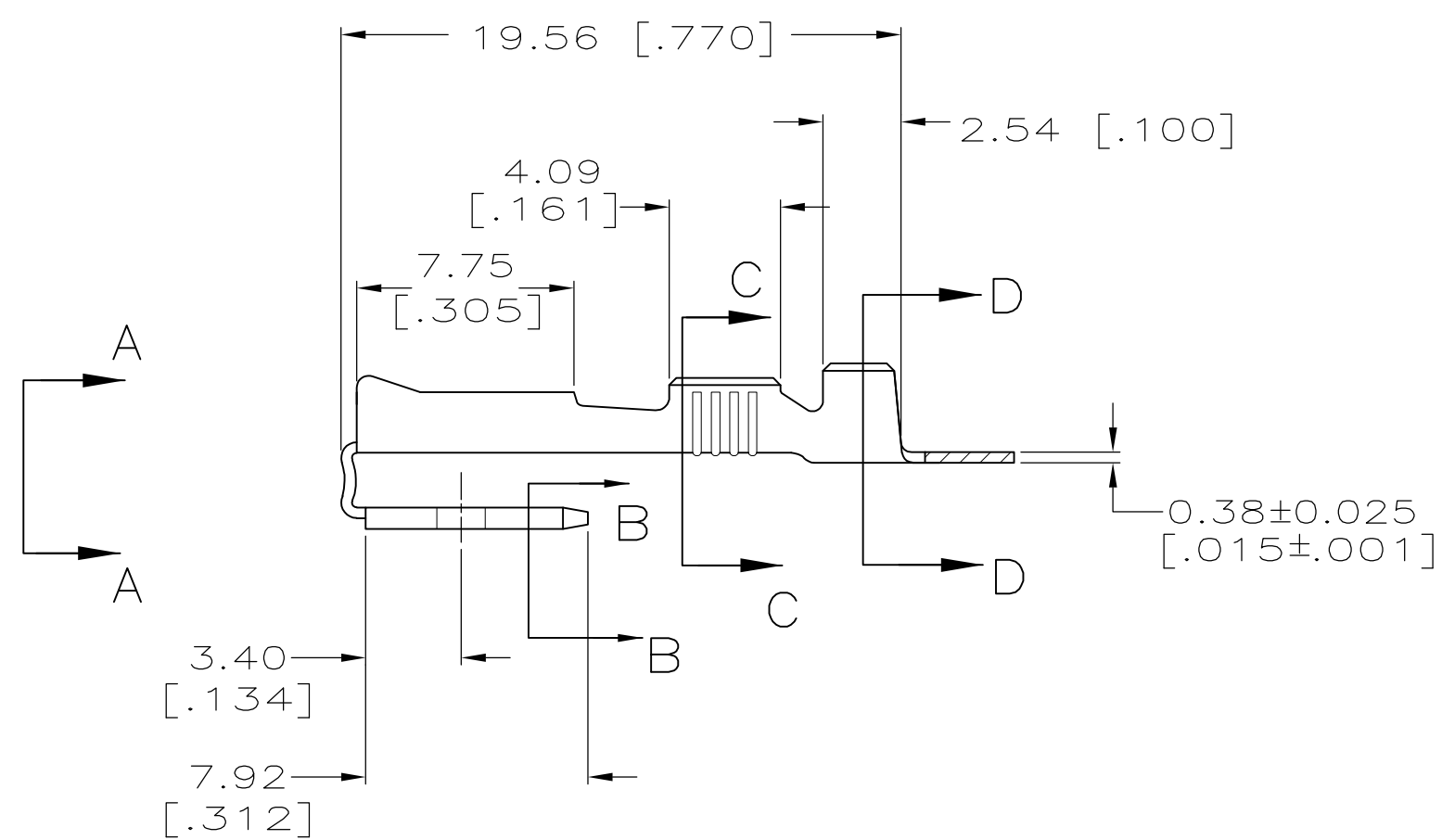
- CONTINUOUS STRIP ON REELS
- MATING TAB THK TO BE 0.81 ± 0.025 [.032±.001]
- WIRE SIZE IS #14-#10 AWG.
- INSULATION RANGE IS 3.81-5.08 [.150-.200] DIA.



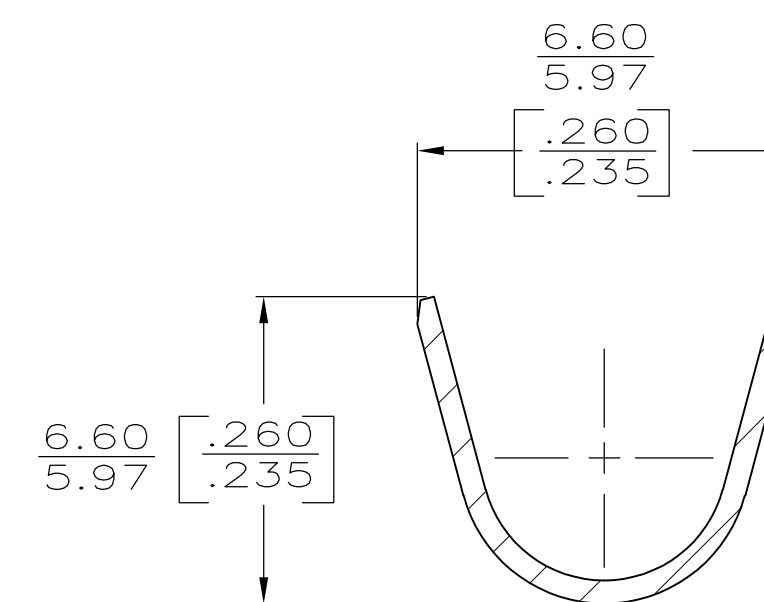
VIEW A-A
SCALE 8:1



SECTION B-B
SCALE 8:1



SECTION C-C
SCALE 8:1



SECTION D-D
SCALE 8:1

TIN	#4H BRASS	62253-2
-	#4H BRASS	62253-1
FINISH	MATERIAL	PART NO

THIS DRAWING IS A CONTROLLED DOCUMENT.		DWN	JR RUTH	7/12/89	Tyco Electronics Corporation Harrisburg, PA 17105-3608				
DIMENSIONS: INCHES		CHK	MS FEHER	7/12/89					
TOLERANCES UNLESS OTHERWISE SPECIFIED:		APVD	C MEYERS	7/12/89					
0 PLC ± - 1 PLC ± - 2 PLC ± - 3 PLC ± 0.38 [.015] 4 PLC ± - ANGLES ± -		PRODUCT SPEC	NAME						
MATERIAL	SEE TABLE	APPLICATION SPEC	114-2082		SIZE	CAGE CODE	DRAWING NO	RESTRICTED TO	
FINISH	SEE TABLE	WEIGHT	-		A2	00779	C=62253	-	
CUSTOMER DRAWING				SCALE	4:1	SHEET	1 of 1	REV	G2