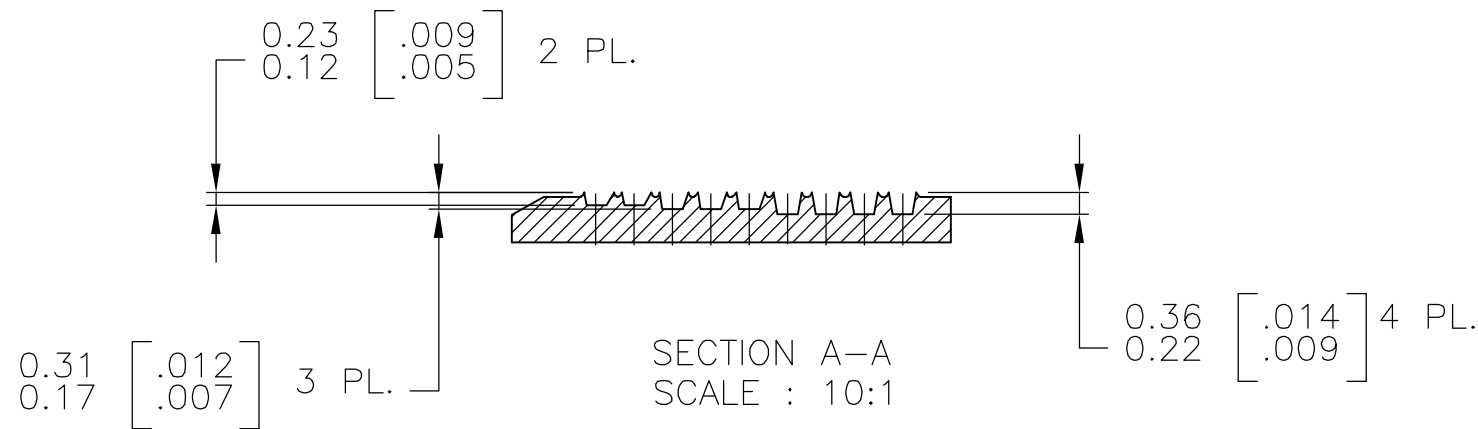
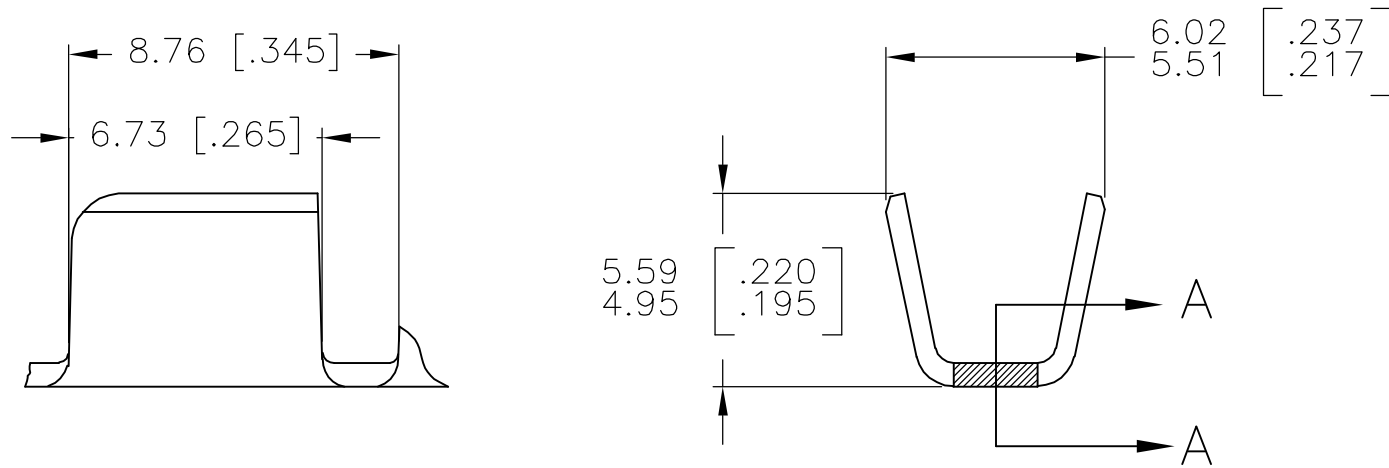
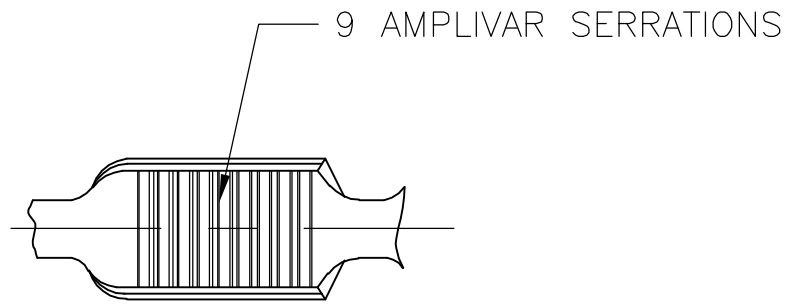


THIS DRAWING IS UNPUBLISHED. RELEASED FOR PUBLICATION
 © COPYRIGHT BY TYCO ELECTRONICS CORPORATION. ALL RIGHTS RESERVED.

LOC	DIST	REVISIONS					
		P	LTR	DESCRIPTION	DATE	DWN	APVD
AF	50		D1	ECR-06-003925 (REDRAWN IN AUTOCAD)	31JAN06	HMR	GDP



1. PRODUCT PROVIDED IN STRIP FORM ON REELS; BREAKS MAY BE PRESENT.
2. DIMENSIONS IN BRACKETS ARE IN INCHES.
3. CRIMP WIDTH: .180 F (AMPLIVAR TYPE)
 CRIMP HEIGHT (±.002)=(TOTAL CMA+20,600)/310,500
 GENERAL APPLICATION GUIDELINES MUST BE FOLLOWED AS SPECIFIED IN CATALOG #82221
 FOR APPLICATOR INFORMATION CALL : 1-800-722-1111
 FOR PRODUCT INFORMATION CALL : 1-800-522-6752

62309-2
PART NO

THIS DRAWING IS A CONTROLLED DOCUMENT.		DWN RAGHAVENDRA 31JAN06	Tyco Electronics Corporation Harrisburg, Pa 17105-3608	
DIMENSIONS: mm [INCHES]		CHK G.D.PORTA	NAME	
		APVD G.D.PORTA	SPLICE, AMPLIVAR 5000-10000 CMA	
TOLERANCES UNLESS OTHERWISE SPECIFIED: 0 PLC ± - 1 PLC ± - 2 PLC ± 0.38[.015] 3 PLC ± - 4 PLC ± - ANGLES ± 1°		PRODUCT SPEC -	APPLICATION SPEC 114-2003	RESTRICTED TO -
MATERIAL 0.64[.025] BRASS		FINISH TIN PL.	WEIGHT -	SIZE A3
		CAGE CODE 00779		DRAWING NO G-62309
CUSTOMER DRAWING			SCALE 5:1	SHEET 1 OF 1 REV D1