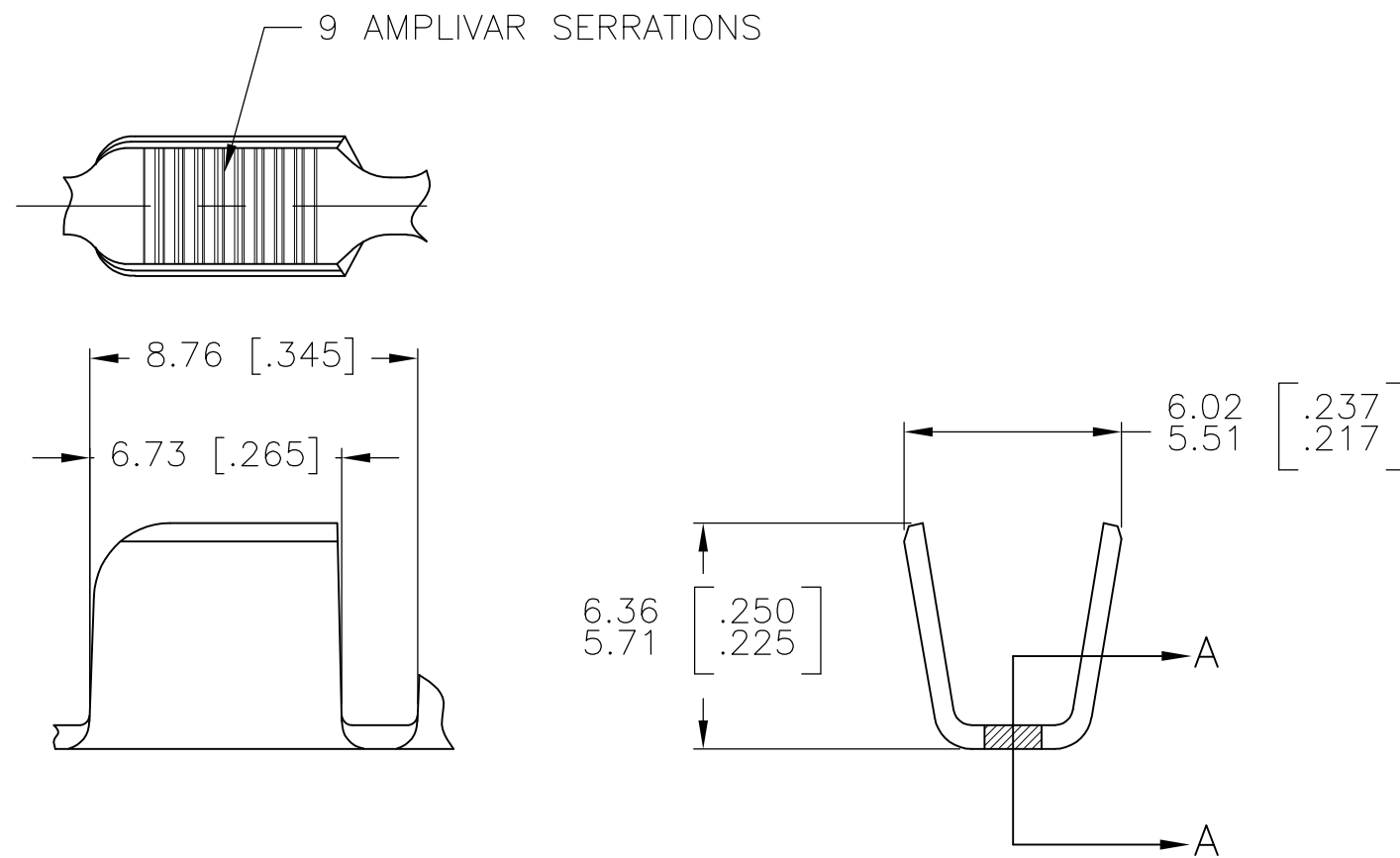
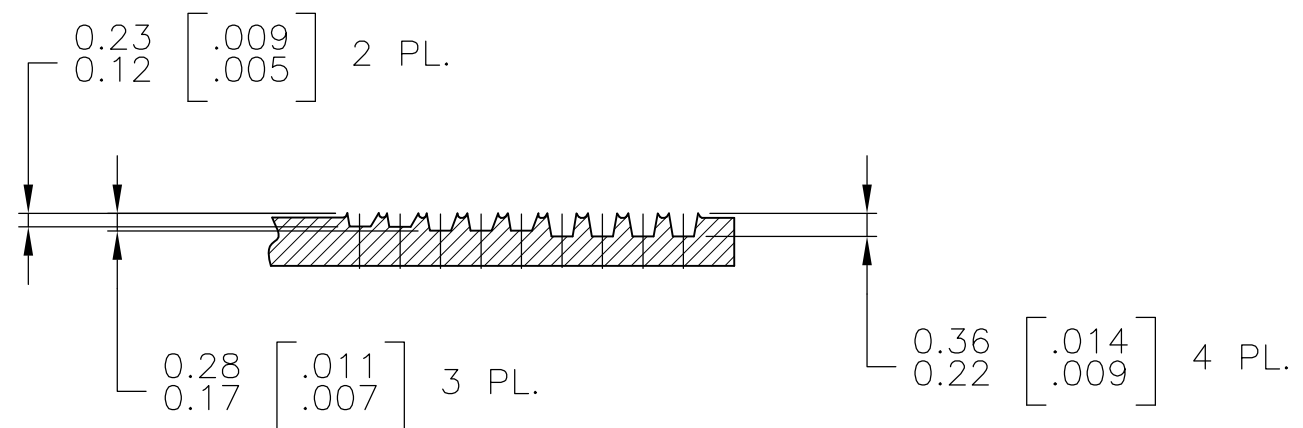


THIS DRAWING IS UNPUBLISHED. RELEASED FOR PUBLICATION
 © COPYRIGHT BY TYCO ELECTRONICS CORPORATION. ALL RIGHTS RESERVED.

LOC	DIST	REVISIONS			
P	LTR	DESCRIPTION	DATE	DWN	APVD
AF	50	F2	REVISED PER ECR-07-018788	20AUG07	HMR GP



- 1 PRODUCT PROVIDED IN STRIP FORM ON REELS; BREAKS MAY BE PRESENT.
- 2 DIMENSIONS IN BRACKETS ARE IN INCHES.
- 3 CRIMP WIDTH: .180 F (AMPLIVAR TYPE)
 CRIMP HEIGHT (±.002)=(TOTAL CMA+23,000)/312,500
 GENERAL APPLICATION GUIDELINES MUST BE FOLLOWED AS SPECIFIED IN CATALOG #82221
 FOR APPLICATOR INFORMATION CALL : 1-800-722-1111
 FOR PRODUCT INFORMATION CALL : 1-800-522-6752



SECTION A-A
 SCALE : 10:1

OBSOLETE	REVERSE	62310-3
	STANDARD	62310-2
	REELING	PART NO

METRIC

THIS DRAWING IS A CONTROLLED DOCUMENT.		DWN RAGHAVENDRA 31JAN06	Tyco Electronics Corporation Harrisburg, PA 17105-3608	
DIMENSIONS: mm [INCHES]		CHK G.D.PORTA	NAME	
TOLERANCES UNLESS OTHERWISE SPECIFIED:		APVD G.D.PORTA	SPLICE, AMPLIVAR 7000-13000 CMA	
0 PLC ± -		PRODUCT SPEC	SIZE CAGE CODE DRAWING NO RESTRICTED TO	
1 PLC ± -		APPLICATION SPEC	A3 00779 C-62310	
2 PLC ± 0.38[.015]		114-2003	SCALE 5:1 SHEET 1 OF 1 REV F2	
3 PLC ± -		WEIGHT -		
4 PLC ± -		CUSTOMER DRAWING		
ANGLES ± 1°				
FINISH				
MATERIAL 0.64[.025] BRASS				
TIN PL.				