

4

3

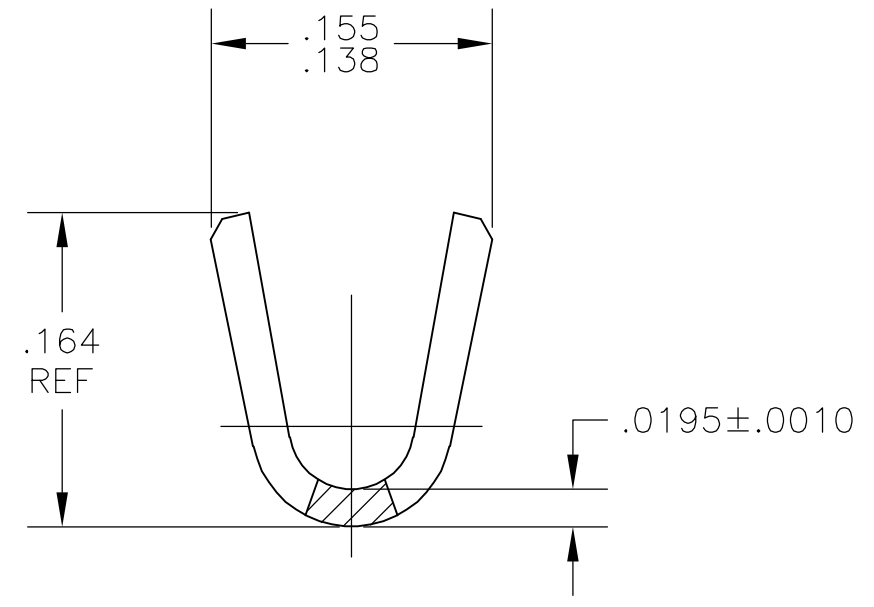
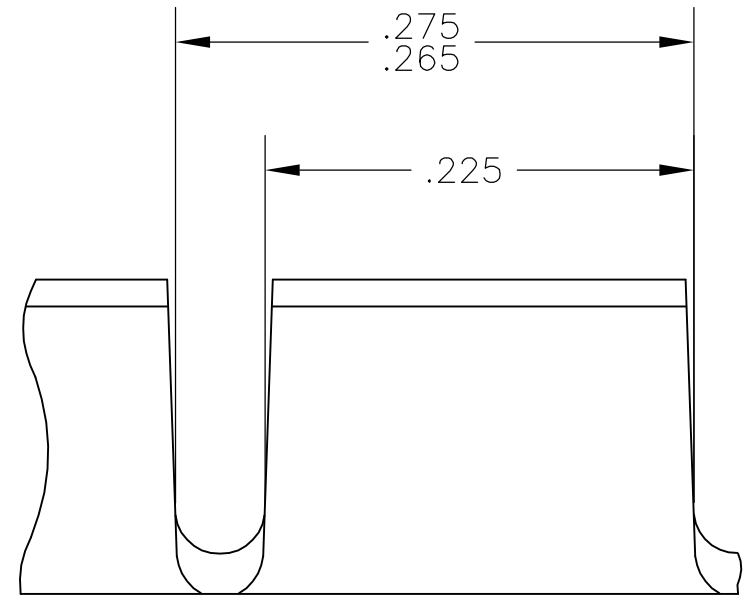
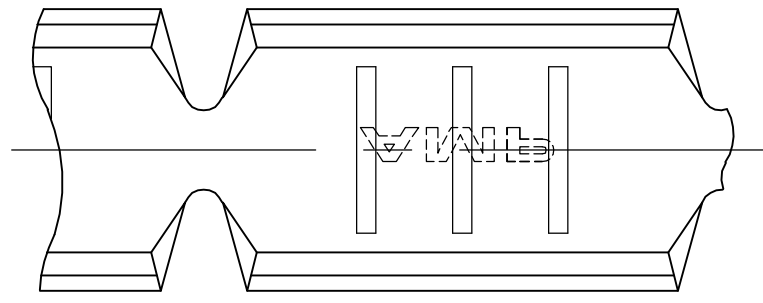
2

1

THIS DRAWING IS UNPUBLISHED. RELEASED FOR PUBLICATION
 © COPYRIGHT - BY TYCO ELECTRONICS CORPORATION. ALL RIGHTS RESERVED.

LOC	DIST	REVISIONS				
P	LTR	DESCRIPTION	DATE	DWN	APVD	
AF	50	C1	ECR-07-001426(REDRAWN IN AUTOCAD)	16DEC06	HMR	GP

- 1 CONTINUOUS STRIP ON REELS
- 2 WIRE RANGE 1500 - 4600 CMA



62318-1
PART NO

THIS DRAWING IS A CONTROLLED DOCUMENT.		DWN RAGHAVENDRA 16DEC06	Tyco Electronics Corporation Harrisburg, Pa 17105-3608	
DIMENSIONS: INCHES		CHK G.D.PORTA 04JAN07		
TOLERANCES UNLESS OTHERWISE SPECIFIED:		APVD G.D.PORTA 04JAN07	NAME	
0 PLC ± - 1 PLC ± - 2 PLC ± - 3 PLC ± .010 4 PLC ± - ANGLES ± -		PRODUCT SPEC	SPLICE	
MATERIAL TEMP 3 STEEL		FINISH .000100 MIN NICKEL	APPLICATION SPEC	RESTRICTED TO
		WEIGHT -	SIZE A3	CAGE CODE 00779
		CUSTOMER DRAWING	DRAWING NO C-62318	RESTRICTED TO -
		SCALE 10:1	SHEET 1 OF 1	REV C1