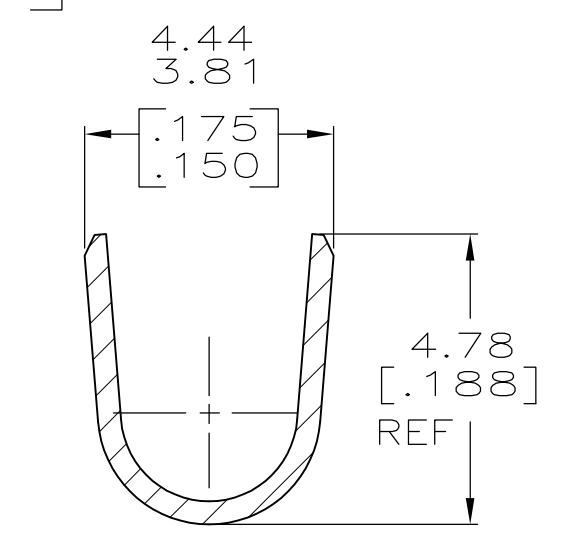
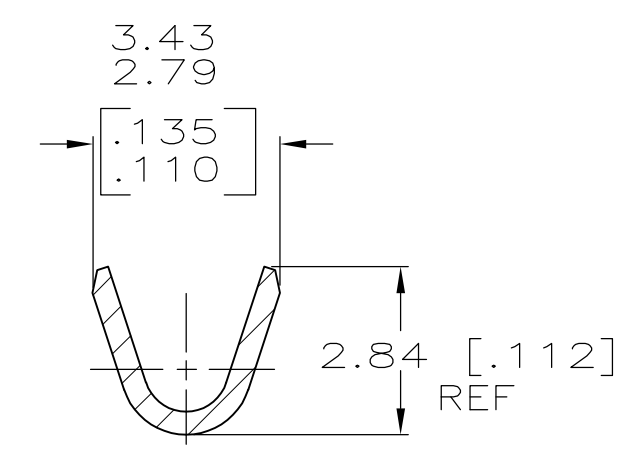
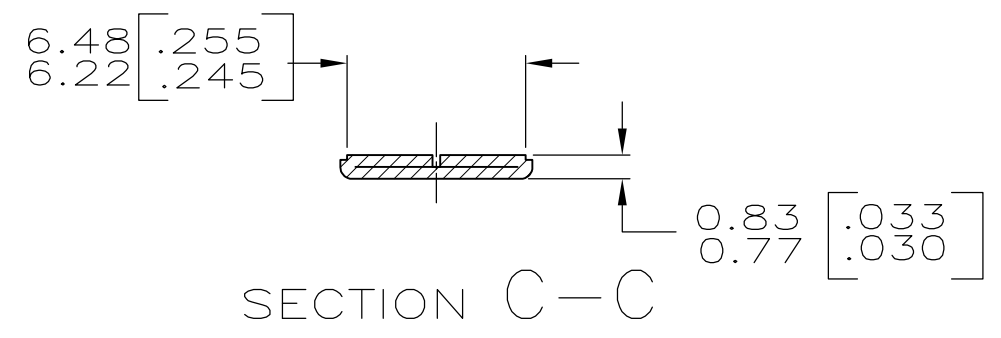
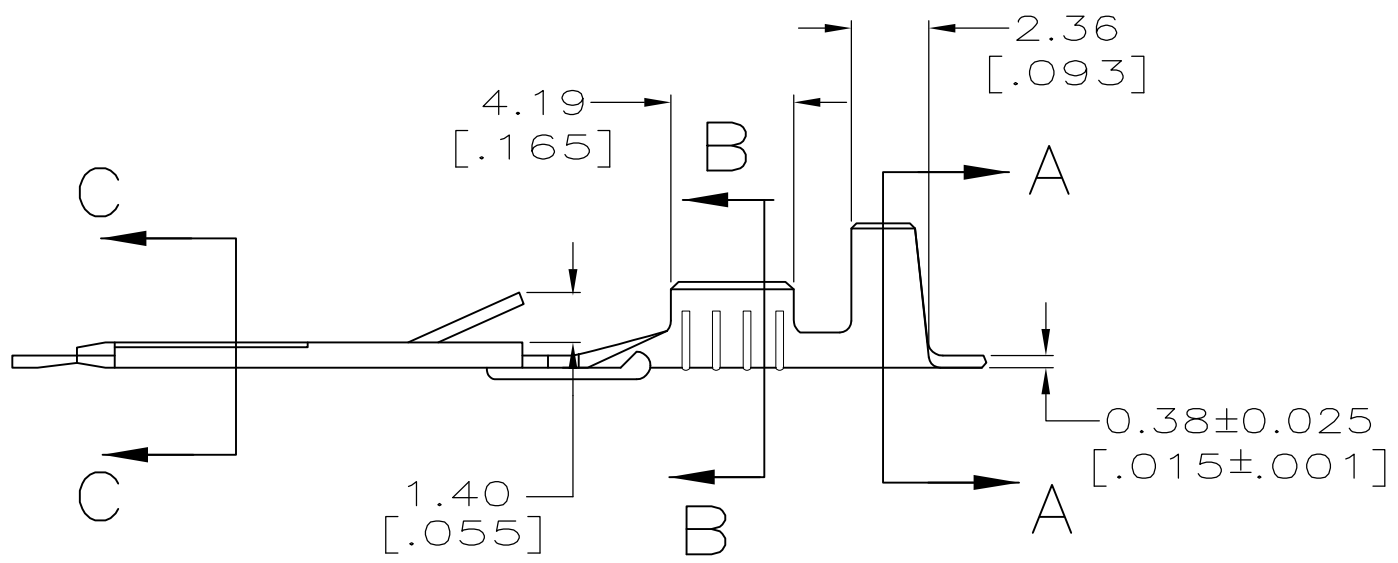
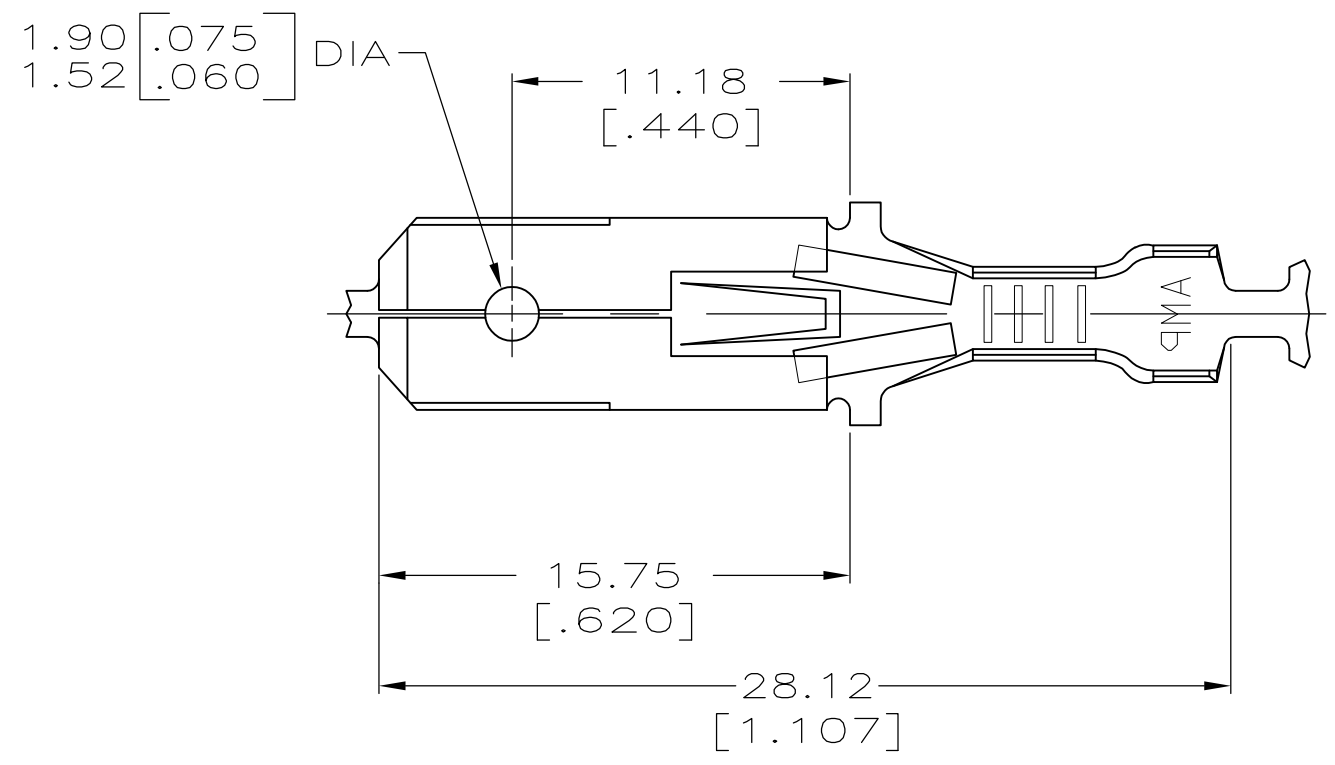


THIS DRAWING IS UNPUBLISHED. RELEASED FOR PUBLICATION
 © COPYRIGHT BY TYCO ELECTRONICS CORPORATION. ALL RIGHTS RESERVED.

LOC	DIST	REVISIONS			
P	LTR	DESCRIPTION	DATE	DWN	APVD
AF	50	L1	REVISED PER ECR-07-019327	23AUG07	HMR KR



- CONTINUOUS STRIP ON REELS.
- WIRE SIZE [#22-#18] AWG.
- INSULATION RANGE IS 2.16-3.18 [.085-.125] DIA.

PRE-TIN	62553-4
0.002032 [.000080] MIN TIN	62553-3
-	62553-1
FINISH	PART NO.

THIS DRAWING IS A CONTROLLED DOCUMENT.		DWN	JR RUTH	3/27/97	Tyco Electronics Corporation Harrisburg, PA 17105-3608					
DIMENSIONS: mm [INCHES]		CHK	MS FEHER	3/27/97				NAME TAB, FASTIN-FASTON, 6.35 [.250] SERIES		
		APVD	J GILLESPIE	3/27/97	PRODUCT SPEC	SIZE	CAGE CODE			
TOLERANCES UNLESS OTHERWISE SPECIFIED: 0 PLC ± - 1 PLC ± - 2 PLC ± 0.38 [.015] 3 PLC ± - 4 PLC ± - ANGLES ± -		APPLICATION SPEC	114-2025		WEIGHT	A3 00779 C-62553				
MATERIAL		FINISH			CUSTOMER DRAWING					
082 BRASS		SEE TABLE			SCALE	4:1	SHEET	1 OF 1	REV	L1