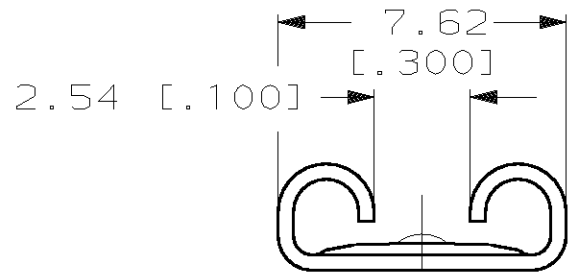
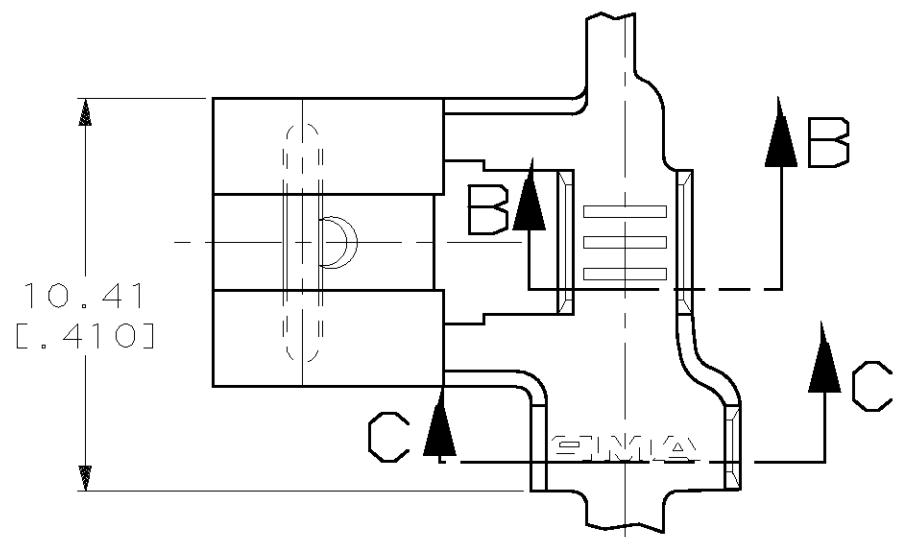


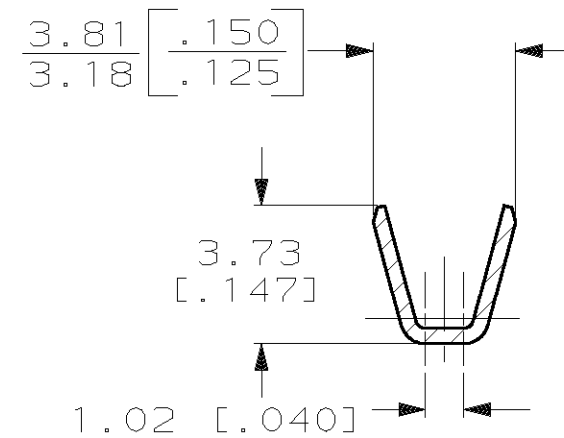
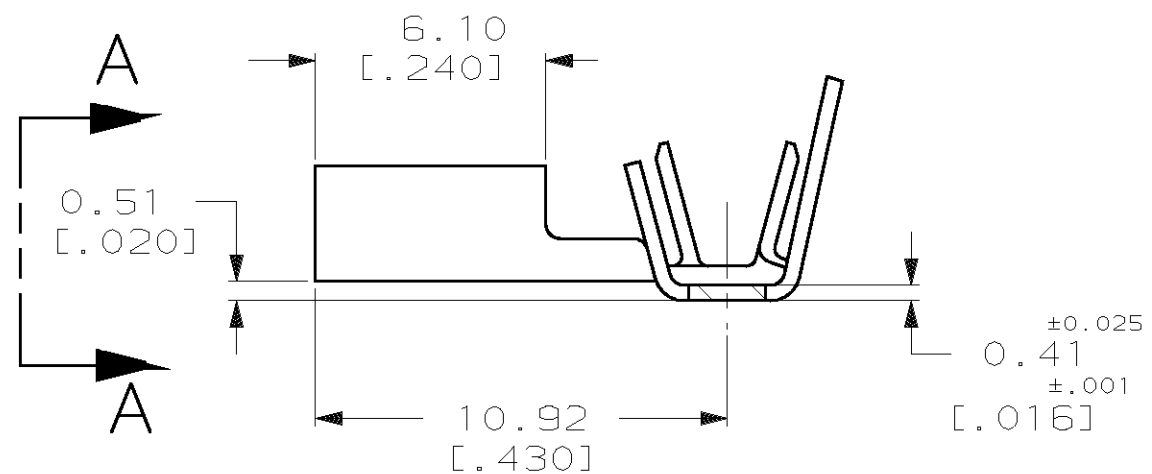
THIS DRAWING IS UNPUBLISHED. RELEASED FOR PUBLICATION, 19  
 © COPYRIGHT 19 BY AMP INCORPORATED. ALL INTERNATIONAL RIGHTS RESERVED.

| LOC | DIST | P | F | ZONE | LTR | DESCRIPTION               | DATE    | APPD  |
|-----|------|---|---|------|-----|---------------------------|---------|-------|
| AF  | 50   |   |   |      | F   | ADDED -3 PER OG3A-0447-00 | 06JUL00 | JR/PD |

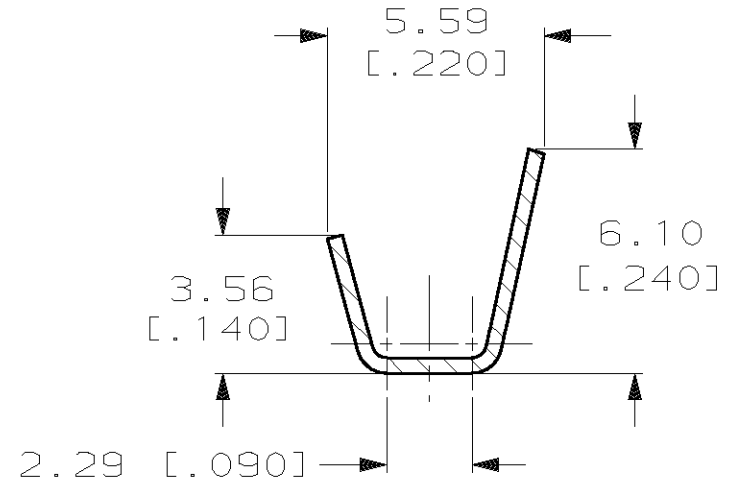
- 1 CONTINUOUS STRIP ON REELS.
- 2 MATING TAB THK IS 0.81±0.025  
[.032±.001]
- 3 WIRE SIZE IS [#18-#14] AWG.
- 4 INSULATION RANGE IS 2.79-4.06  
[.110-.160] DIA.
- 5 0.00381 [.000150] MIN TIN OVER  
0.00254 [.000100] MIN COPPER.
- 6 PRELIMINARY - NOT FOR PRODUCTION



VIEW A-A



SECTION B-B



SECTION C-C

| TIN OVER COPPER  | FINISH | PART NO |
|--|--------|---------|
| 0.00381 [.000150] MIN TIN OVER<br>0.00254 [.000100] MIN COPPER | AMP    | 63009-3 |
| -  | -      | 63009-2 |
| -  | -      | 63009-1 |

|  |                         |  |                    |                     |
|--|-------------------------|--|--------------------|---------------------|
| DO NOT SCALE PRINT.<br>UNLESS SPECIFIED<br>DIMENSIONS IN mm [INCHES]<br>TOLERANCES ON:<br>2 PLC DEC ± -<br>3 PLC DEC ± 0.38 [.015]<br>ANGLES ± - | DR 4/9/91<br>JR RUTH    | <b>AMP</b> AMP Incorporated<br>Harrisburg, PA 17105-3608 |                    |                     |
|  | CHK 4/9/91<br>MS FEHER  |  |                    |                     |
|  | APPD 4/9/91<br>C MEYERS | NAME<br>RECEPTACLE, FASTON,<br>FLAG, 6.35 [.250] SERIES  |                    |                     |
|  | APPD 4/9/91<br>R KUZO   |  |                    |                     |
| MATERIAL<br>4M BRASS   | PRODUCT SPEC<br>-       | SIZE<br>B  | CAGE CODE<br>00779 | DRAWING NO<br>63009 |
| FINISH<br>SEE TABLE  | APPLICATION SPEC<br>-   | WEIGHT<br>-  | SCALE<br>5:1       | SHEET<br>1 OF 1     |