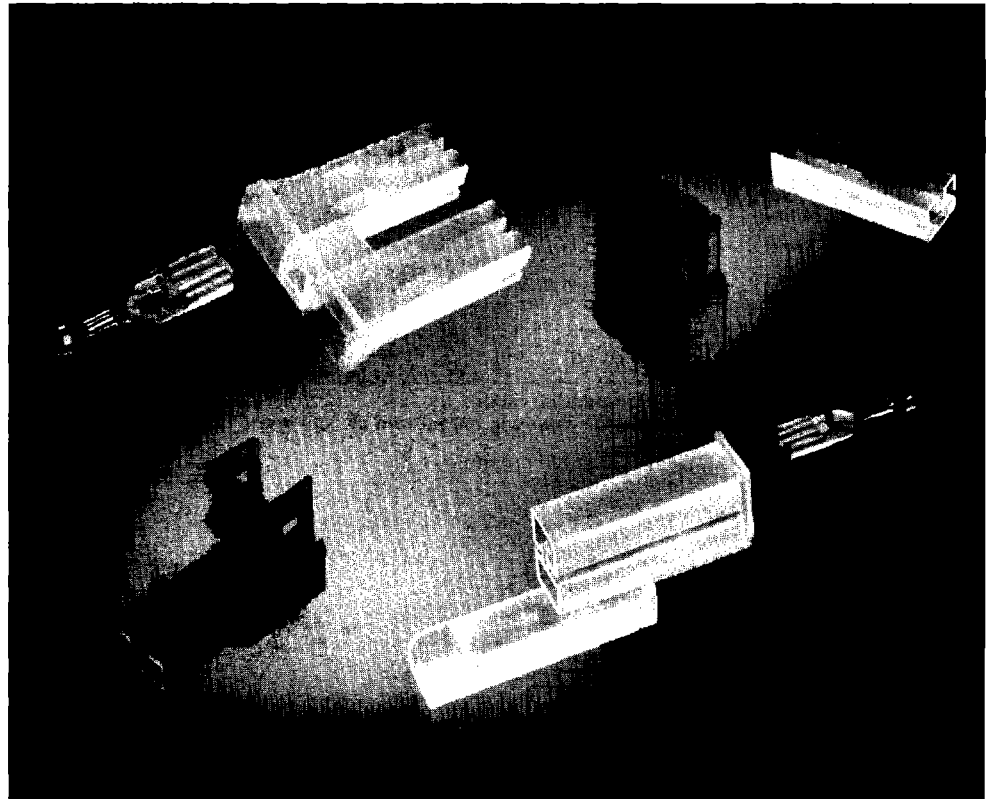


**POSITIVE LOCK RECEPTACLES**

**Product Facts**

- Reduced insertion force
- Locks onto tabs containing holes
- Housing insulates and serves as a removal tool
- "Snap" action tells assembler receptacle is mated properly
- Mark I 250 Series accepts 20-10 AWG wire
- Mark II 187 Series accepts 24-16 AWG wire, while 250 Series accepts 22-10 AWG wire
- Terminated by automatic or semi-automatic equipment
- Single and multiple circuit housings available
- Recognized under the Component Program of Underwriters Laboratories Inc., File Nos. E66717 and E28476
- Certified by Canadian Standards Association File No. LR7189A



Positive Lock receptacles are specifically designed to provide ease of assembly and secure retention to mating tabs. These unique features are attainable by the reduced insertion force of the product and the locking dimple. The receptacle locks onto mating tabs containing holes and is removable only by deflecting an integrally designed depressor prior to withdrawal. The depressor can be deflected manually by thumb pressure, or automatically by a cam inside a specially designed nylon housing. If the housing is employed, removal of the terminal from the tab is performed by simply applying withdrawal force to the housing. In addition to providing a means of disconnecting the terminal, the housing

performs its traditional insulating function.

Aside from reduced insertion forces, Positive Lock receptacles give the assembler a definite mechanical "snap" when the terminal is correctly seated over the mating tab. This facilitates correct assembly in hard-to-reach areas such as under dashboards, recessed switch tabs, etc.

Safety is enhanced by the locking capability of the product. Unless the depressor is deliberately deflected, either manually or by withdrawal force applied directly to the optional housing, a terminal will not easily come off of the tab. Thus, the danger from exposed live parts or disruption of critical circuitry due to improperly seated or accidentally removed terminals is greatly reduced.

Positive Lock Receptacles

■ Quick-Change Applicator for AMP-O-LECTRIC Machine 565435-5.  
For AMPOMATOR Machine and other machines not listed, contact AMP Incorporated.

For drawings, technical data or samples, contact your AMP sales engineer or call the AMP Product Information Center: 1-800-522-6752. Dimensions are in inches and millimeters unless otherwise specified. Values in brackets are metric equivalents. Specifications subject to change. Consult AMP for latest specifications.

**POSITIVE LOCK RECEPTACLES (CONTINUED)**

**Performance Data**

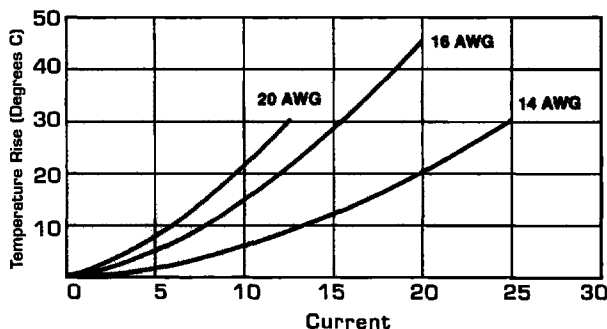
**Positive Lock Connectors (Mark I)**

- Insertion Force**  
.250 Series, 6 lbs. Max.
- Extraction Force**  
.250 Series, Locked, 22 lbs. Min.  
Unlocked 1.5 lbs. Min.
- Insulation Resistance**  
1000 MΩ Min.
- Total Resistance**  
3 mΩ Max. (Initial); 6 mΩ Max. (Final)
- Operating Temperature**  
-40°C to +105°C (for 1 Circuit)  
-40°C to +130°C (for 2 Circuits)
- Dielectric Withstanding Voltage**  
1800 VAC (for one minute)

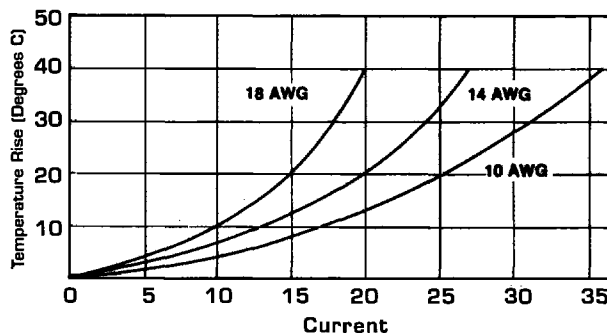
- (Mark II)**
- Insertion Force**  
.250 Series, 8 lbs. Max.  
.187 Series, 7 lbs. Max.
- Extraction Force**  
.250 Series—Locked 15 lbs. Min.  
Unlocked 2 lbs. Min.  
.187 Series—Locked 12 lbs. Min.  
Unlocked 2 lbs. Min.
- Insulation Resistance**  
1000 MΩ Min.
- Total Resistance**  
3 mΩ Max. (Initial); 6 mΩ Max. (Final)
- Operating Temperature**  
-40°C to +105°C
- Dielectric Withstanding Voltage**  
2000 VAC (for one minute)

- (Mark III)**
- Insertion Force**  
8 lbs. Max.
- Extraction Force**  
Locked 15 lbs. Min.  
Unlocked 2 lbs. Min.
- Insulation Resistance**  
1000 MΩ Min.
- Total Resistance**  
3 mΩ Max. (Initial); 6 mΩ Max. (Final)
- Operating Temperature**  
-40°C to +105°C
- Dielectric Withstanding Voltage**  
2000 VAC (for one minute)

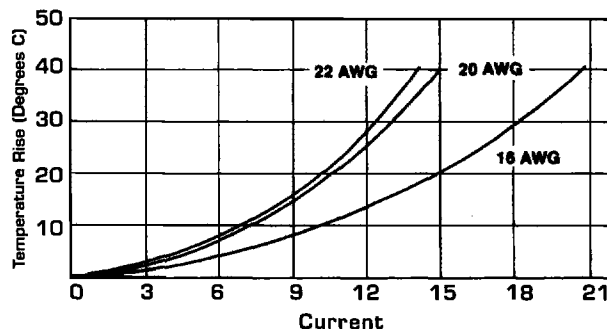
Typical .250 Mark I



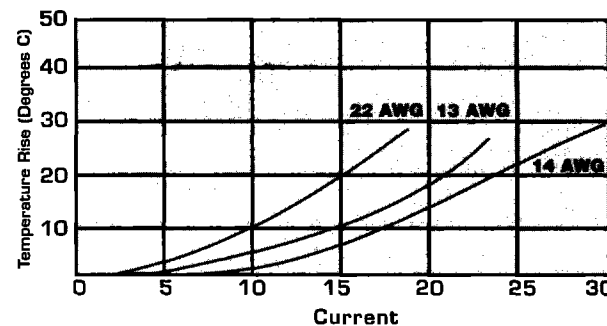
Typical .250 Mark II



Typical .187 Mark II



Typical .250 Mark III

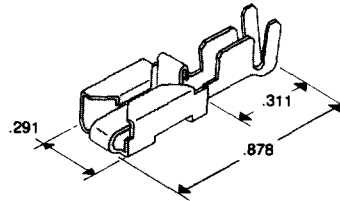


Positive Lock Receptacles

POSITIVE LOCK RECEPTACLES (CONTINUED)

Mark I  
250 Series  
Receptacles  
Stock Thickness: .016

Recognized under the  
Component Program of  
Underwriters  
Laboratories Inc.,  
UL File No.  
E28476



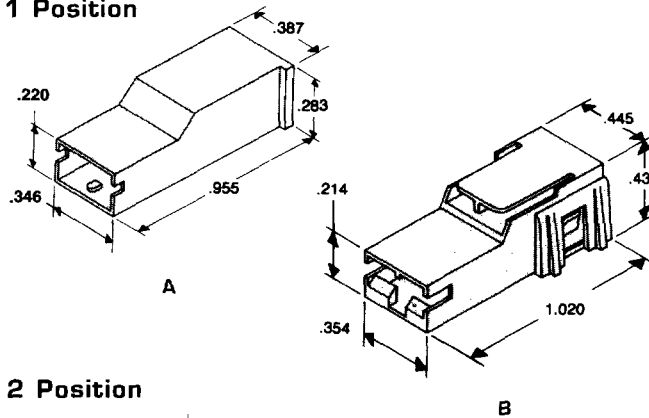
Wire Range AWG	Insulation Diameter	Material and Finish	Part Numbers			
			Receptacle	Quick Change Applicator No. ■	Hand Tool	
20-16	.090-.130	Brass/Pre-Tin	1-160759-1	X	567181-2	654174-1
18-14	.135-.195	Brass/Tin	63812-1 <sup>1</sup>	X	680140-2	—
	.095-.155	Brass/Tin	154718-3	X	466542-3	525651
13-11	.140-.170	Brass/Tin	154717-3	X	466863-2	525651
12-10	.135-.200	Brass/Tin	790319-2	—	567417-2	—
12-10	.135-.200	Brass/Pre-Tin	790319-3	—	567417-2	—

<sup>1</sup>"A" Style Housing only

Receptacle Housings

Material: 94 V-2, 6/6 nylon

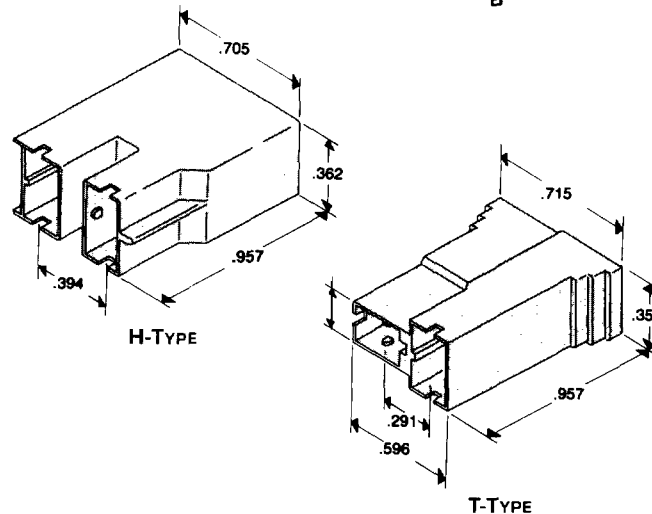
1 Position



Part No.	Style	Color
154719-0	A	Black
154719-1	A	Natural
520961-1 <sup>1</sup>	B	Black

<sup>1</sup>Press-to-release with secondary lock

2 Position



Part No.	Style	Color
926521-2	H	Black

Part No.	Style	Color
926522-1	T	Black
926522-2	T	Natural

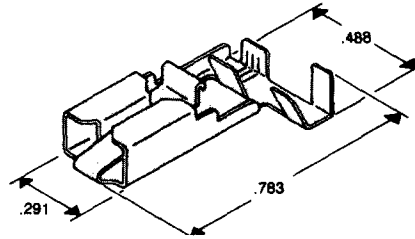
■ Quick-Change Applicator for AMP-O-LECTRIC Machine 565435-5.  
For AMPOMATOR Machine and other machines not listed, contact AMP Incorporated.

For drawings, technical data or samples, contact your AMP sales engineer or call the AMP Product Information Center: 1-800-522-6752. Dimensions are in inches and millimeters unless otherwise specified. Values in brackets are metric equivalents. Specifications subject to change. Consult AMP for latest specifications.

Positive Lock Receptacles

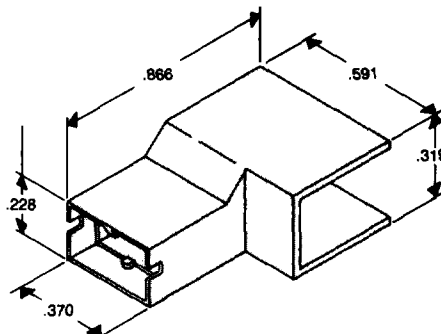
**POSITIVE LOCK RECEPTACLES (CONTINUED)**

**Mark I**  
**250 Series Flag**  
**Receptacle**  
 Stock Thickness: .016



Wire Range AWG	Insulation Diameter	Material and Finish	Part Numbers	
			Receptacle	Quick Change Applicator No. ■
20-16	.090-.130	Brass/Pre-Tin	926820-4	2-878423-2

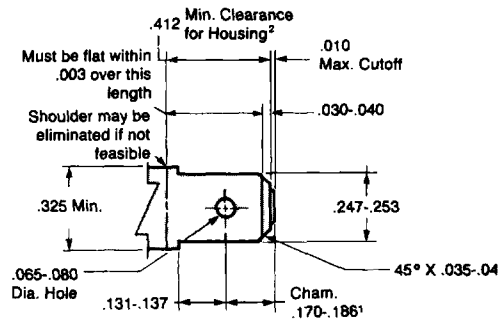
**Receptacle Housings**  
 Material: 94 V-2, 6/6 nylon



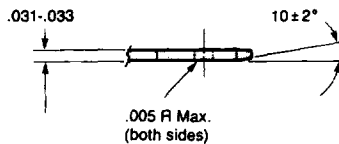
Part No.	Color
926291-1	Black

**250 Series**  
**Recommended Mating**  
**Tab Dimensions**

(See page 38 for Crimp  
 Type—Style A)



¹Use when shoulder is eliminated  
 ²See individual housing



**POSITIVE LOCK RECEPTACLES (CONTINUED)**

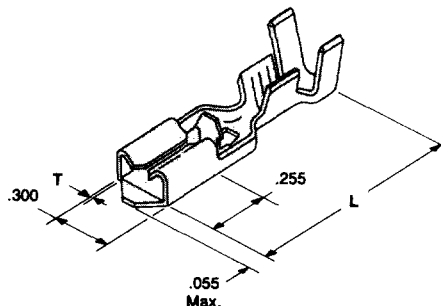
**Mark II  
 250 Series  
 Receptacles**

**Material and Finish**  
 Brass, tin plated

Recognized under the  
 Component Program of  
 Underwriters  
 Laboratories Inc., File  
 No. E66717  
 and E28476



CSA Certified  
 Report LR 7189A



Wire Range AWG	Insulation Diameter	Tab Size	Dimensions		Part Numbers	
			T	L. Max.	Receptacle	Quick-Change Applicator No. ■
22-18	.060-.100	.032	.016	.866	63119-1	567064 <sup>1</sup>
	.090-.155	.032	.016	.866	63097-1	567049 <sup>1</sup>
18-14	.090-.155	.025	.016	.866	63809-1	567049
	.090-.155	.020	.016	.866	63442-1	567049 <sup>1</sup>
12-10	.150-.200	.032	.018	.907	63239-1	567132 <sup>1</sup>

<sup>1</sup>Quick-Change Applicator Part No. with -1 is for a "T" terminating unit used in automatic machines; -2 is for a "K" AMP-O-ELECTRIC bench machine.

Positive Lock Receptacles

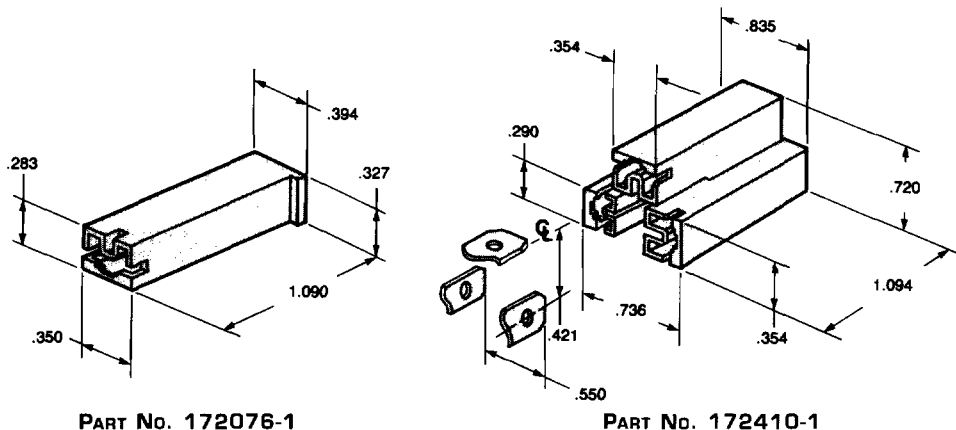
**Receptacle Housings**

**Material:** 94 V-2, 6/6 nylon  
**Color:** Natural

Recognized under the  
 Component Program of  
 Underwriters  
 Laboratories Inc., File  
 No. E28476

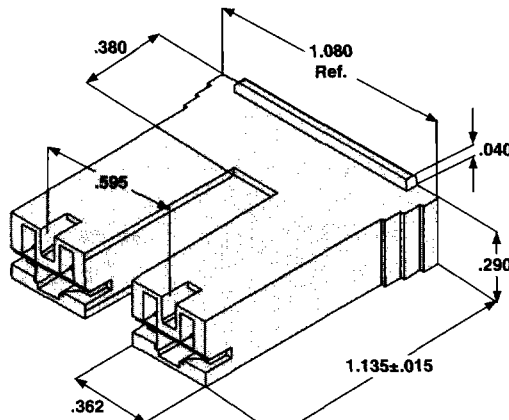


CSA Certified  
 Report LR 7189A



PART No. 172076-1

PART No. 172410-1



PART No. 520935

■ Quick-Change Applicator for AMP-O-ELECTRIC Machine 565435-5.  
 For AMPOMATOR Machine and other machines not listed, contact AMP Incorporated.

For drawings, technical data or samples, contact your AMP sales engineer or call the AMP Product Information Center: 1-800-522-6752. Dimensions are in inches and millimeters unless otherwise specified. Values in brackets are metric equivalents. Specifications subject to change. Consult AMP for latest specifications.

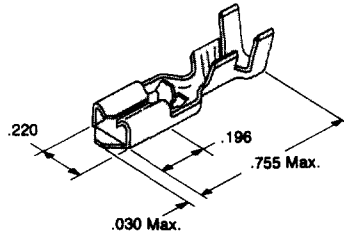
POSITIVE LOCK RECEPTACLES (CONTINUED)

Mark II  
187 Series  
Receptacles

Recognized under the  
Component Program of  
Underwriters  
Laboratories Inc., File  
No. E66717  
and E28476



CSA Certified  
Report LR 7189A



Wire Range AWG	Insulation Diameter	Tab Size	Material and Finish	Part No.	
				Receptacles	Quick Change Applicator No. ■
24-20	.080-.110	.020	Brass/Tin	63196-1	567110 <sup>1</sup>
	.080-.110	.020	Brass/Pre-Tin	63407-2 <sup>2</sup>	567110
	.090-.130	.032	Brass/Tin	63313-1 <sup>2</sup>	567109
20-16	.090-.130	.020	Brass/Tin	63195-1	567109 <sup>1</sup>
	.090-.130	.020	Brass/Pre-Tin	63232-1 <sup>2</sup>	567109
	.060-.110	.032	Brass/Tin	63498-1	567366 <sup>1</sup>

<sup>1</sup>Quick-Change Applicator Part No. with -1 is for a "T" terminating unit used in automatic machines; -2 is for a "K" AMP-O-LECTRIC bench machine.

<sup>2</sup>Low profile—not for use in housing.

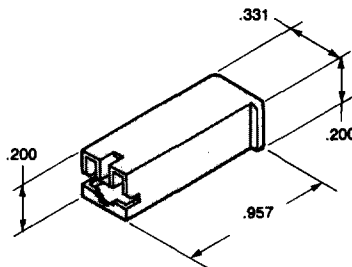
Receptacle Housings

Material: 94 V-2, 6/6 nylon  
Color: Natural

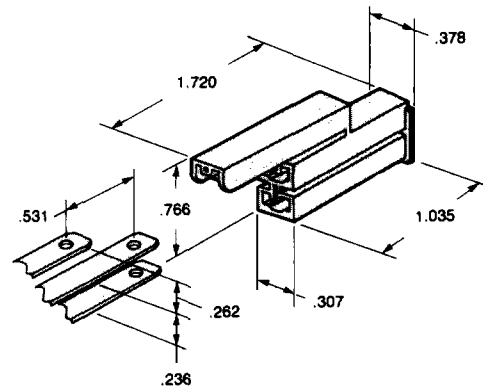
Recognized under the  
Component Program of  
Underwriters  
Laboratories Inc., File  
No. E28476



CSA Certified  
Report LR 7189A

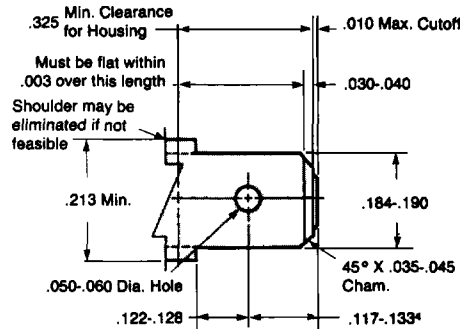


PART No. 172074-1 (.187 x .020)  
PART No. 521125-1 (.187 x .032)

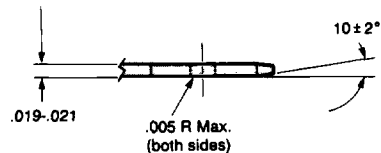


PART No. 172075-1

Recommended Mating  
Tab Dimensions



\*Use when shoulder is eliminated.

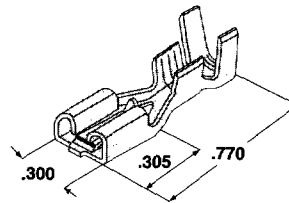




■ Quick-Change Applicator for AMP-O-LECTRIC Machine 565435-5.  
For AMPOMATOR Machine and other machines not listed, contact AMP Incorporated.

**POSITIVE LOCK RECEPTACLES (CONTINUED)**

**Mark III  
250 Series  
Receptacles**

Stock Thickness: .016  
Accepts .032 Tab




Recognized under the  
Component Program of  
Underwriters  
Laboratories Inc.,  
File No. E28476   
CSA Certified  
Report LR 7189A 


Wire Range AWG	Insulation Diameter	Material and Finish	UL	Part No.	
				Receptacles	Quick Change Applicator No. ■
22-18	.060-.110	Brass	X	63933-1	680161-2
	.060-.110	Brass/Tin	X	63933-2	680161-2
18-14	.090-.155	Brass	X	63854-1	680411-2
	.090-.155	Brass/Tin	X	63854-2	680411-2

<sup>1</sup>Quick-Change Applicator Part No. with -1 is for a "T" terminating unit used in automatic machines; -2 is for a "K" AMP-O-ELECTRIC bench machine.  
<sup>3</sup>Low profile—not for use in housing.

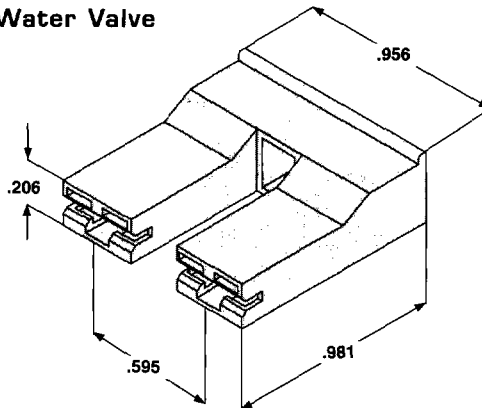
**Receptacle Housings**

Material: 94 V-2, 6/6 nylon  
Color: Natural

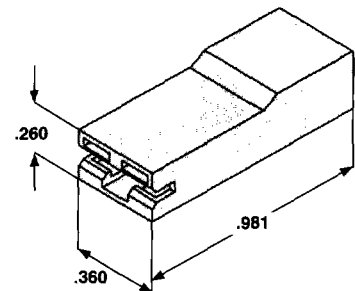
Recognized under the  
Component Program of  
Underwriters  
Laboratories Inc.,  
File No. E28476 

CSA Certified  
Report LR 7189A 

**Water Valve**



Part No. 521119-1



Part No. 521120-1

■ Quick-Change Applicator for AMP-O-ELECTRIC Machine 565435-5.  
For AMPOMATOR Machine and other machines not listed, contact AMP Incorporated.

For drawings, technical data or samples, contact your AMP sales engineer or call the AMP Product Information Center: 1-800-522-6752.  
Dimensions are in inches and millimeters unless otherwise specified. Values in brackets are metric equivalents.  
Specifications subject to change. Consult AMP for latest specifications.

Positive Lock Receptacles