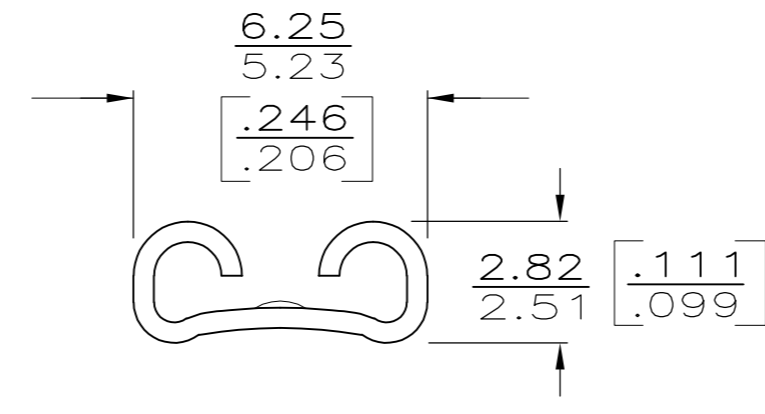
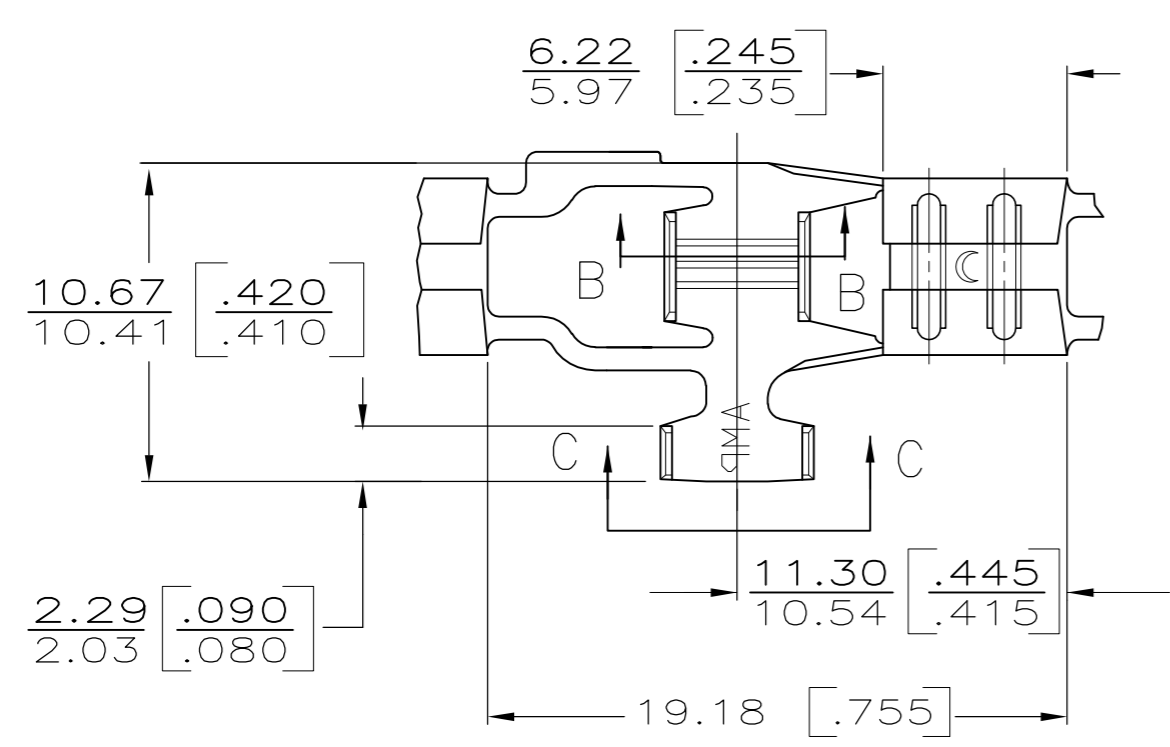
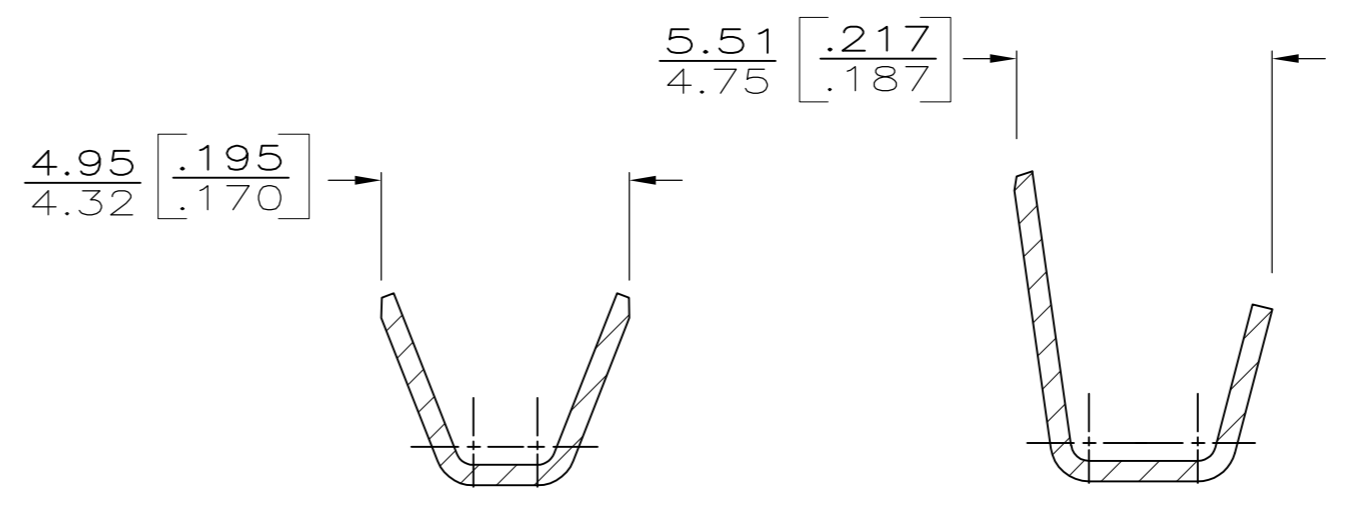
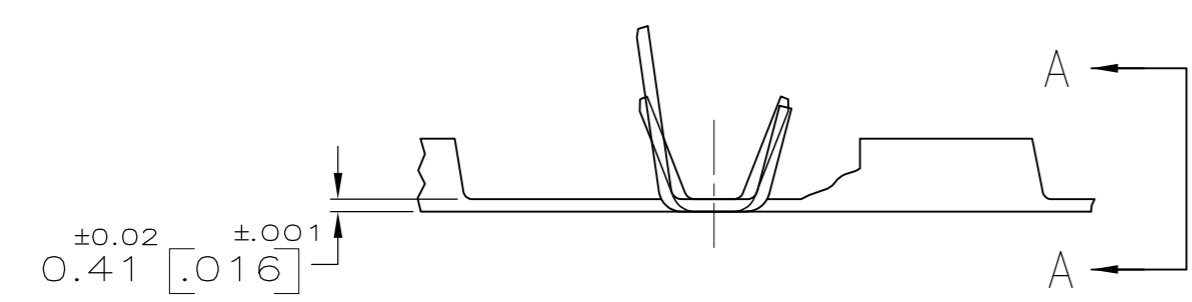


THIS DRAWING IS UNPUBLISHED. RELEASED FOR PUBLICATION
 © COPYRIGHT BY TYCO ELECTRONICS CORPORATION. ALL RIGHTS RESERVED.

LOC	DIST	REVISIONS			
P	LTR	DESCRIPTION	DATE	DWN	APVD
AF	50	R1	REV PER ECR 09-002319	03FEB09	JR PD



VIEW A-A



SECTION B-B

SECTION C-C

- 1 CONTINUOUS STRIP ON REELS.
- 2 MATING TAB THK TO BE 0.81±0.025 [.032±.001]
- 3 WIRE SIZE IS #18-#14 AWG.
- 4 INSULATION RANGE IS 1.52-3.81 [.060-.150] DIA.
- 5 PRELIMINARY - NOT FOR PRODUCTION

PART NO	WIRE		INSULATION DIAMETER (MAX)	WIRE BARREL CRIMP			TENSILE STRENGTH POUNDS		
	QTY	SIZE AWG		WIDTH	CRIMP HEIGHT	CRIMPER		ANVIL	
63316	1	14	.150	.120	.071	F	FLAT	50	
	1	16						.063	30
	1	18						.057	20

REVERSE REELED	FINISH	MATERIAL	PART NO.
0.002032 [.000080] MIN TIN	H04 BRASS	△5	63316-5
0.00381 [.000150] MIN NICKEL	T2 CR STEEL		63316-3
0.002032 [.000080] MIN TIN	H04 BRASS		63316-2
-	H04 BRASS		63316-1

THIS DRAWING IS A CONTROLLED DOCUMENT.		DWN	JR RUTH	6/16/87	Tyco Electronics Corporation Harrisburg, PA 17105																											
DIMENSIONS: MM [INCHES]		CHK	MS FEHER	6/16/87																												
TOLERANCES UNLESS OTHERWISE SPECIFIED:		APVD	C MEYERS	6/16/87																												
<table border="1"> <tr><td>0 PLC</td><td>±</td><td>-</td></tr> <tr><td>1 PLC</td><td>±</td><td>-</td></tr> <tr><td>2 PLC</td><td>±</td><td>0.25 [.010]</td></tr> <tr><td>3 PLC</td><td>±</td><td>-</td></tr> <tr><td>4 PLC</td><td>±</td><td>-</td></tr> <tr><td>ANGLES</td><td>±</td><td>-</td></tr> <tr><td>FINISH</td><td>±</td><td>-</td></tr> </table>		0 PLC	±	-		1 PLC	±	-	2 PLC	±	0.25 [.010]	3 PLC	±	-	4 PLC	±	-	ANGLES	±	-	FINISH	±	-	<table border="1"> <tr><td>PRODUCT SPEC</td><td>-</td></tr> <tr><td>APPLICATION SPEC</td><td>-</td></tr> <tr><td>WEIGHT</td><td>-</td></tr> </table>		PRODUCT SPEC	-	APPLICATION SPEC	-	WEIGHT	-	NAME
0 PLC	±	-																														
1 PLC	±	-																														
2 PLC	±	0.25 [.010]																														
3 PLC	±	-																														
4 PLC	±	-																														
ANGLES	±	-																														
FINISH	±	-																														
PRODUCT SPEC	-																															
APPLICATION SPEC	-																															
WEIGHT	-																															
MATERIAL	SEE TABLE	SIZE	A2	CAGE CODE	00779																											
CUSTOMER DRAWING		DRAWING NO	C=63316		RESTRICTED TO	-																										
SCALE		4:1	SHEET	1 OF 1	REV	R1																										

63316