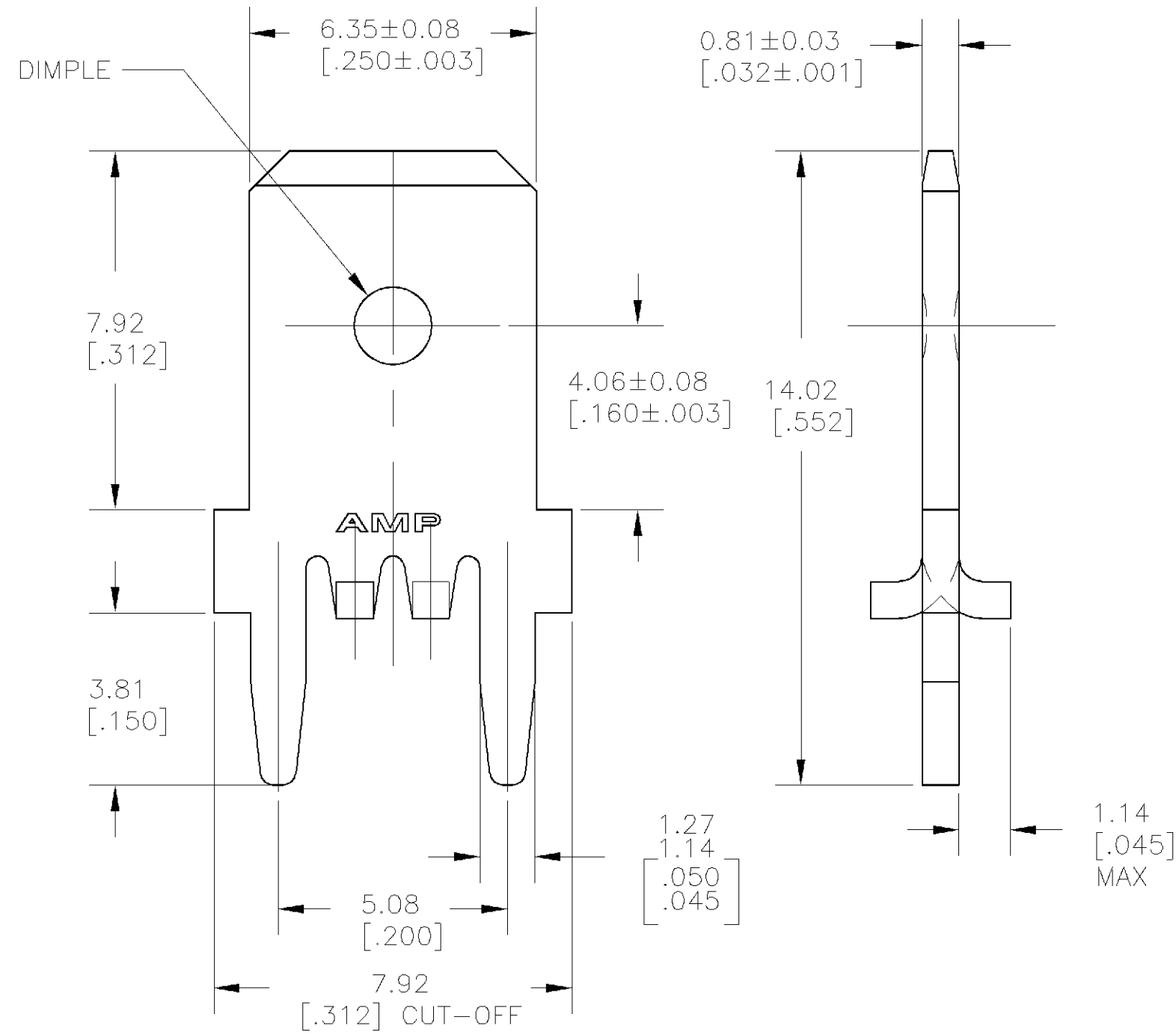
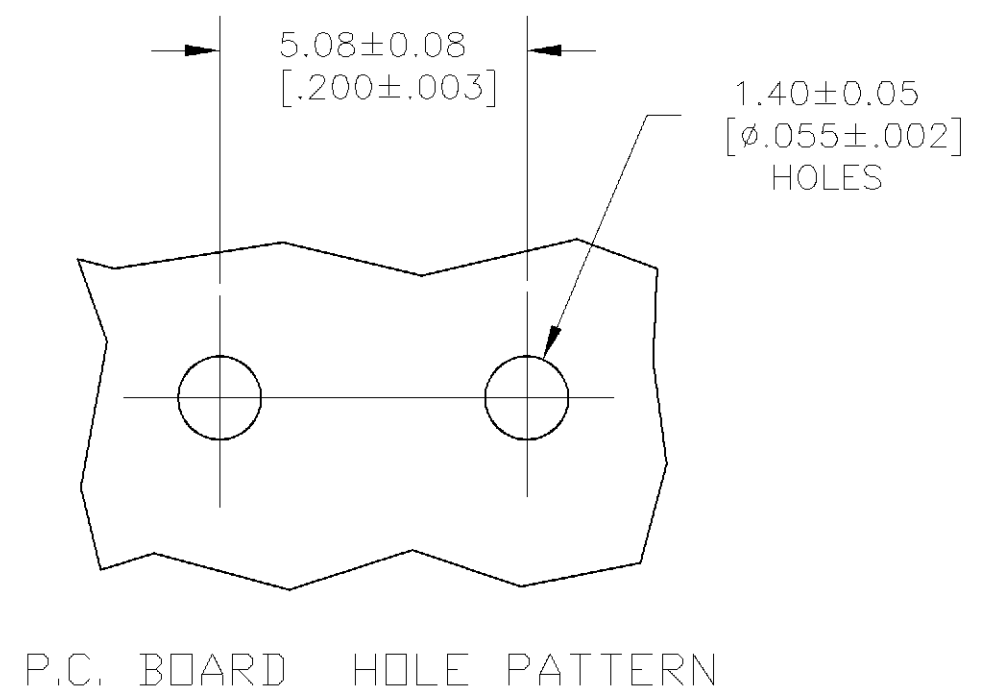


THIS DRAWING IS UNPUBLISHED. RELEASED FOR PUBLICATION
 © COPYRIGHT BY TYCO ELECTRONICS CORPORATION. ALL RIGHTS RESERVED.

LOC	DIST	REVISIONS			
P	LTR	DESCRIPTION	DATE	DWN	APVD
AF	50	E	REDRAWN PER 0G3A-0118-01	20FEB01	JR ND



- 1 CONTINUOUS STRIP ON REELS.
- 2 TIN PLATE 0.00381 [.000150] MIN OVER 0.00254 [.000100] MIN THK COPPER.



63862-1
PART NO.

THIS DRAWING IS A CONTROLLED DOCUMENT.		DWN	JR RUTH	20FEB01	Tyco Electronics Corporation Harrisburg, PA. 17057		
DIMENSIONS: mm [INCHES]		CHK	MS FEHER	20FEB01			
TOLERANCES UNLESS OTHERWISE SPECIFIED:		APVD	N DEIBERT	20FEB01	TAB, FASTON, P.C.BOARD		
0 PLC ± - 1 PLC ± - 2 PLC ± 0.25 [.010] 3 PLC ± - 4 PLC ± - ANGLES ± -		PRODUCT SPEC	-			6.35 [.250]	
MATERIAL		APPLICATION SPEC	114-2115			SIZE	A3
082 BRASS		FINISH	-			CAGE CODE	00779
			-			DRAWING NO	C-63862
			-			RESTRICTED TO	-
			-			SCALE	8:1
			-			SHEET	1 OF 1
			-			REV	E