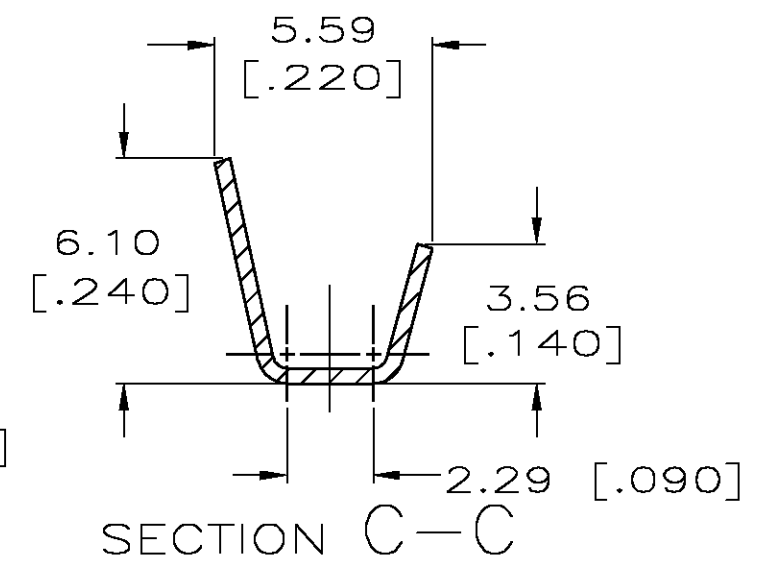
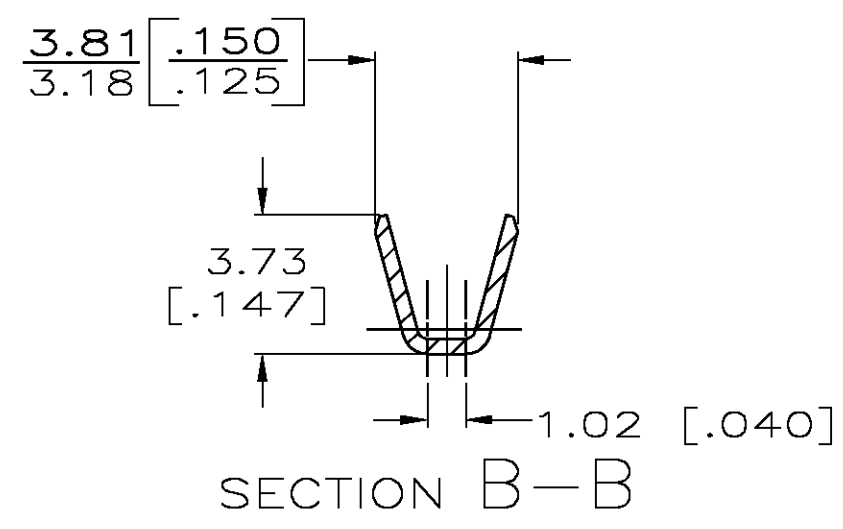
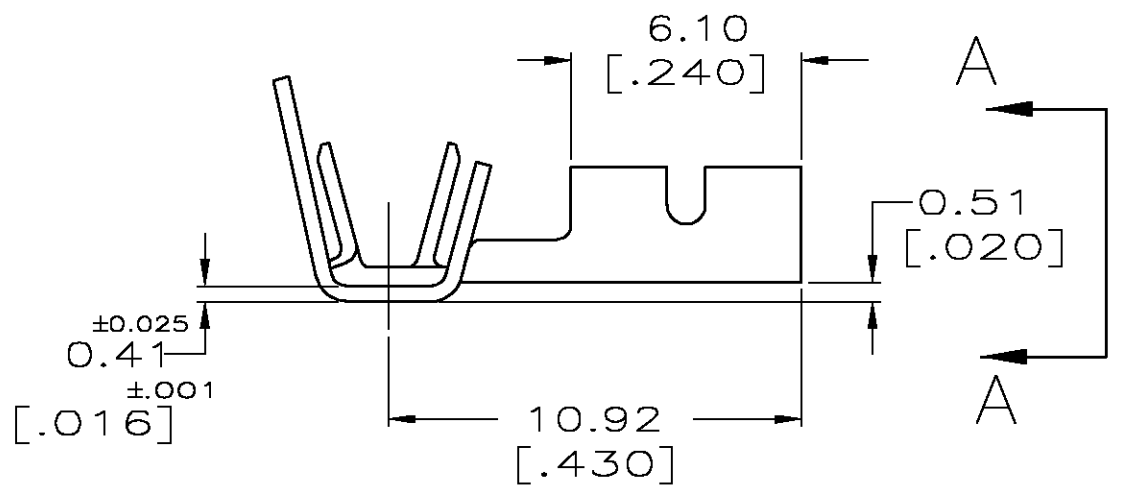
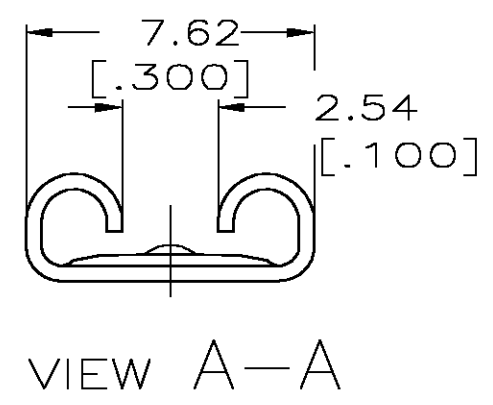
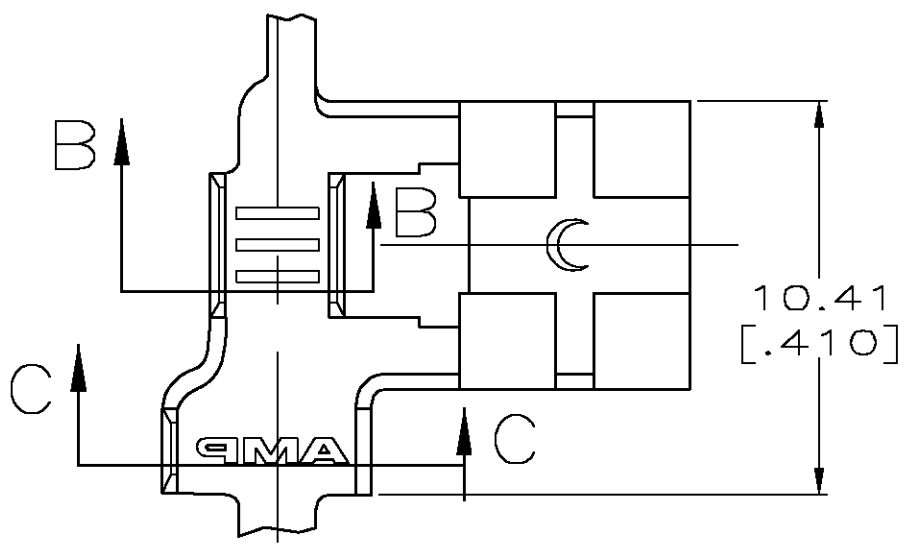


THIS DRAWING IS UNPUBLISHED. RELEASED FOR PUBLICATION
 © COPYRIGHT BY TYCO ELECTRONICS CORPORATION. ALL RIGHTS RESERVED.

LOC	DIST	REVISIONS			
P	LTR	DESCRIPTION	DATE	DWN	APVD
AF	50	C1	ADDED MISSING -2	06OCT04	JR PD

- CONTINUOUS STRIP ON REELS.
- WIRE SIZE IS [#18-#14] AWG.
- INSULATION RANGE TO BE 2.79-4.02 [.110-.160] DIA.
- MATING TAB THK IS 0.813±0.025 [.032±.001].



-	63901-2
0.002032 [.000080] MIN TIN	63901-1
FINISH	PART NO.

THIS DRAWING IS A CONTROLLED DOCUMENT.		DWN	JR RUTH	5/2/96	Tyco Electronics Corporation Harrisburg, Pa 17105-3608											
DIMENSIONS: mm [INCHES]		CHK	MS FEHER	5/2/96												
TOLERANCES UNLESS OTHERWISE SPECIFIED:		APVD	P DESANTIS	5/2/96												
<table border="0"> <tr><td>0 PLC</td><td>± -</td></tr> <tr><td>1 PLC</td><td>± -</td></tr> <tr><td>2 PLC</td><td>± -</td></tr> <tr><td>3 PLC</td><td>± 0.25 [.010]</td></tr> <tr><td>4 PLC</td><td>± -</td></tr> <tr><td>ANGLES</td><td>± -</td></tr> </table>		0 PLC	± -	1 PLC		± -	2 PLC	± -	3 PLC	± 0.25 [.010]	4 PLC	± -	ANGLES	± -	PRODUCT SPEC	
0 PLC	± -															
1 PLC	± -															
2 PLC	± -															
3 PLC	± 0.25 [.010]															
4 PLC	± -															
ANGLES	± -															
MATERIAL		APPLICATION SPEC		RECEPTACLE, FASTON, FLAG, LIF, 6.35 [.250] SERIES												
H04 BRASS		FINISH		SEE TABLE												
CUSTOMER DRAWING		WEIGHT	-		RESTRICTED TO											
SCALE		5:1	SHEET 1 OF 1		REV C1											