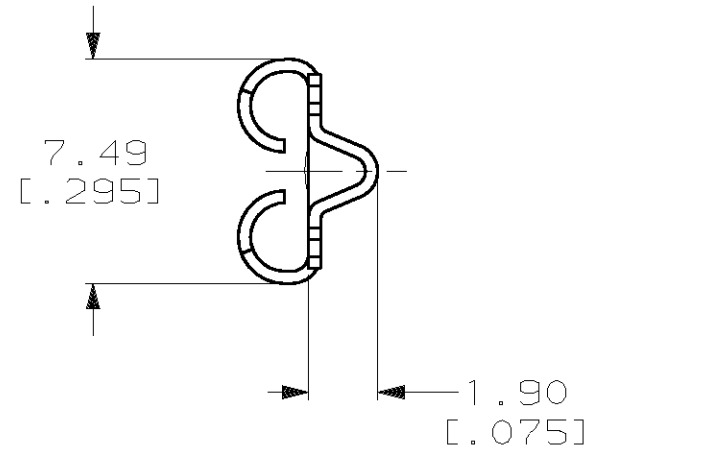
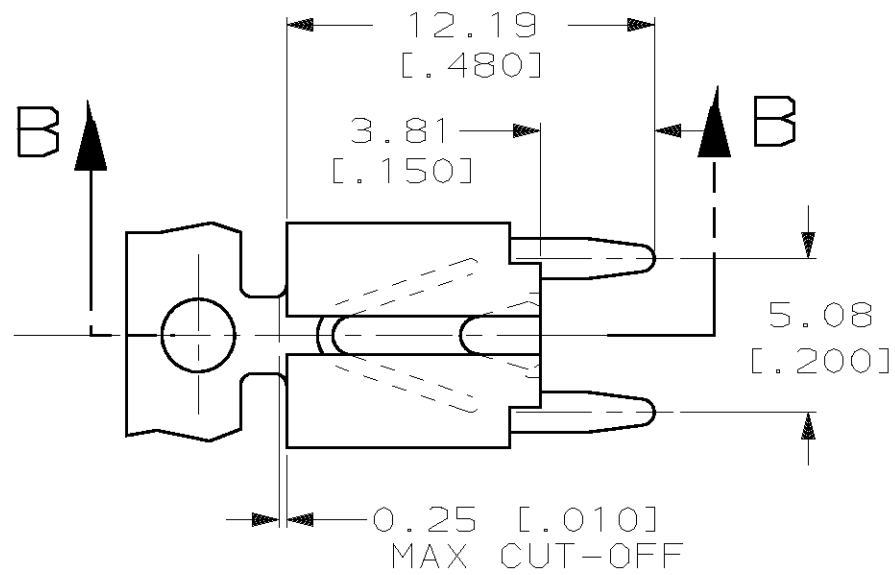
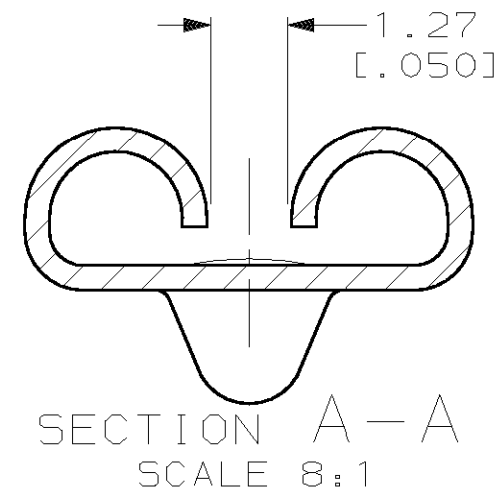
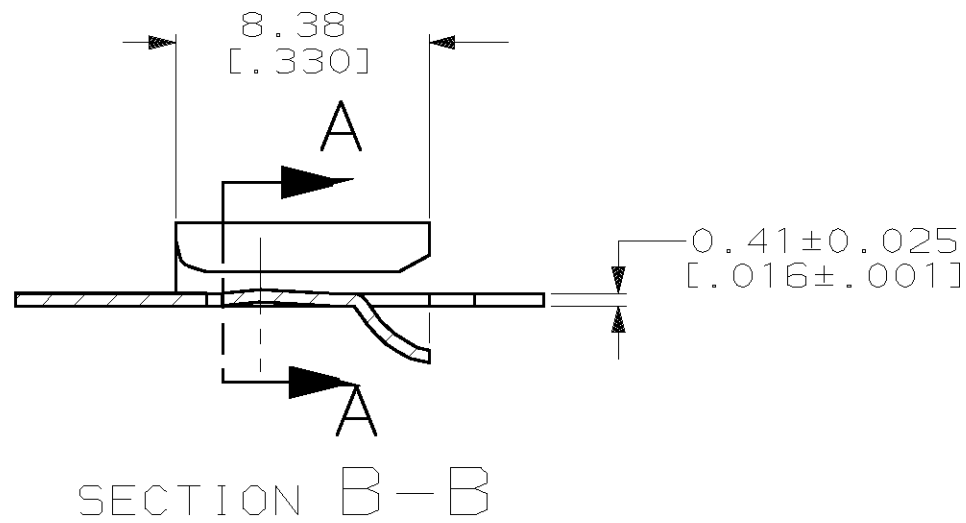
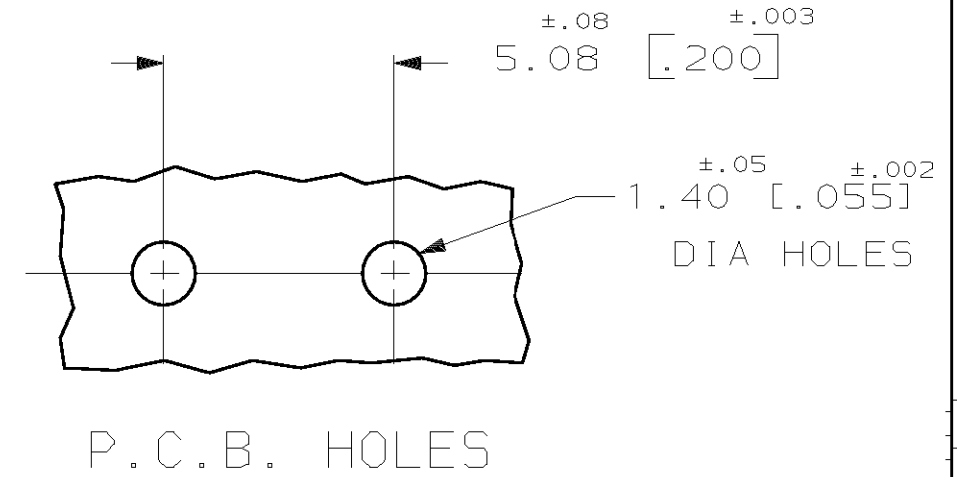


THIS DRAWING IS UNPUBLISHED. RELEASED FOR PUBLICATION ,19 .
 © COPYRIGHT 19 BY AMP INCORPORATED. ALL INTERNATIONAL RIGHTS RESERVED.

LOC	DIST	P	F	REVISIONS				
AF	50			ZONE	LTR	DESCRIPTION	DATE	APPD
					D	REV PER 063A-0138-01	12MAR01	JR/PD



- 1 CONTINUOUS STRIP ON REELS.
- 2 0.00254 [.000100] MIN THK TIN OVER 0.00127 [.000050] MIN NICKEL
- 3 MATING TAB THK IS 0.635±0.025 [.025±.001].



63994-1

PART NO

DO NOT SCALE PRINT. UNLESS SPECIFIED DIMENSIONS IN mm [INCHES] TOLERANCES ON:
 2 PLC DEC ± 0.25 [.010]
 3 PLC DEC ± -
 ANGLES ± -
 MATERIAL H04 BRASS
 FINISH TIN OVER NICKEL

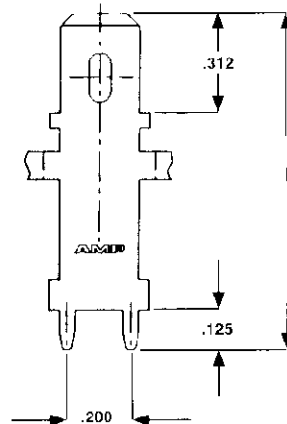
DR	3/12/97
CHK	JR RUTH
APPD	3/12/97
APPD	3/12/97
PRODUCT SPEC	-
APPLICATION SPEC	-
WEIGHT	-

AMP AMP Incorporated Harrisburg, PA 17105-3608		
NAME RECEPTACLE, FASTON™ 6.35/5.21 [.250/.205] SERIES, PC BOARD MOUNTED		
SIZE	CAGE CODE	DRAWING NO
B	00779	C-63994
SCALE	SHEET	
4:1	1 OF 1	

THIS DRAWING IS A CONTROLLED DOCUMENT FOR AMP INCORPORATED. IT IS SUBJECT TO CHANGE AND THE CONTROLLING ENGINEERING ORGANIZATION SHOULD BE CONTACTED FOR THE LATEST REVISION.

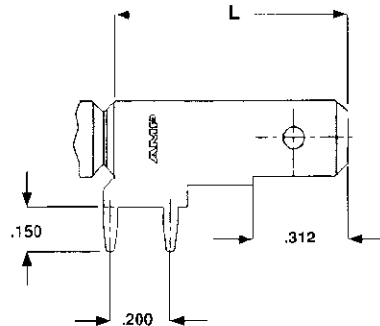
250 SERIES FASTON PCB TABS AND RECEPTACLES

Printed Circuit Board Tab
Stock Thickness: .032
Board Hole Size: .055 ± .002



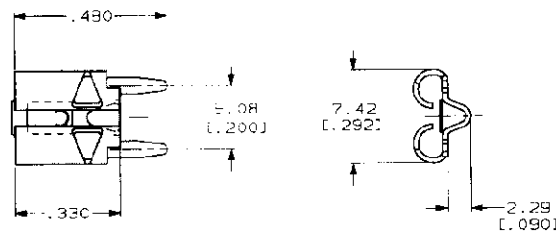
Material and Finish	Dimensions	Terminal Part No.	UL	UL	UL
	L				
Tin Plated Brass	.800	63949-1	—	X	X
	1.207	63950-1	—	X	X

Right Angle Printed Circuit Board Tab
Stock Thickness: .032
Board Hole Size: .055 ± .002



Material and Finish	Dimensions	Terminal Part No.	UL	UL	UL
	L				
Tin Plated Brass	.800	63951-1	—	X	X
	1.00	63952-1	—	X	X

.250/.205 Printed Circuit Board Receptacle
Stock Thickness: .020



Material and Finish	Fits Tab	Strip	Loose Piece	UL	UL	UL
		Part No.	Part No.			
Tin	.032 (LIF)	63968-1	—	—	X	X
Tin	.032	63969-1	1217080-1	—	X	X
Tin	.020	63994-1	121779-1	—	X	X

250 Series

- [Home](#)
- [Part Number Search](#)
- [Document Search](#)
- [Text Search](#)
- [Alternate Part Search](#)
- [Multiple Part Comparison](#)
- [Alphabetical Search](#)
- [Brand Search](#)
- [Industry Product Search](#)
- [Product Type Search](#)
- [Product Family Search](#)
- [Competitor Cross Reference](#)
- [Lead Free Solutions](#)
- [Help/Glossary](#)

Current Brand View	View All Tyco Electronics Brands Click to activate links to all other products
AMP	

Terminals and Splices

FASTON Uninsulated Receptacles and Housings

AMP **63994-1** **Active** [Active](#)

(Tyco Electronics P/N: 63994-1)

[CAD Geometry](#) | [Search for Parts](#) | [Previous](#) [1] [2](#) [3](#) [4](#) [5](#) [6](#) [7](#) [8](#) [Next](#)

Document links for this part cannot be displayed. Your browser does not support inline frames or is currently configured not to display inline frames. Inline frames are supported in both Internet Explorer 5 and Netscape 6, as well as all later versions of these browsers.

Related Part Information		
General Information	eCommerce	Related Part Information
General Info Sales Info Assembly Subcontractors	Pricing Product Availability	

Searchable Features:	
Brand:	AMP
Product Type:	Receptacle
Specials:	PC Board Mount
Tab Fit (mm [in]):	6.35 x 0.64 [.250 x .025]
Receptacle Style:	Straight
Insulation Support:	Non-Insulation Support
Insertion Force:	Low
Material:	Brass
Finish:	Tin
Line:	Budget

Other Properties:	
Stock Thickness (mm [in]):	0.41 [0.016]
PCB Hole Dia. (mm [in]):	1.40 [0.055]
PCB Thickness (mm [in]):	3.18 [0.125]
Packaging Method:	Strip

[Copyright](#) and [Privacy Statement](#)

Visit [Tyco International, Ltd.](#)

[Products](#) | [Catalog](#) | [Brands](#) | [Industries](#) | [Commerce](#) | [Supplier](#) | [Customer Service](#) | [About](#) | [Home](#)