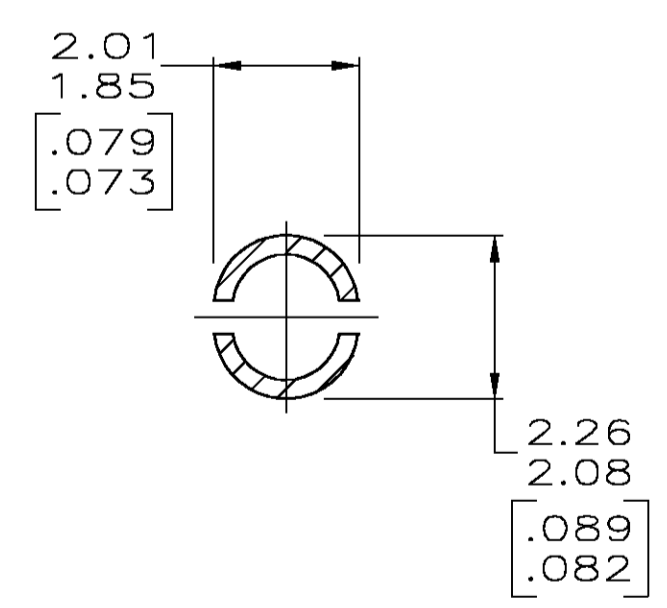
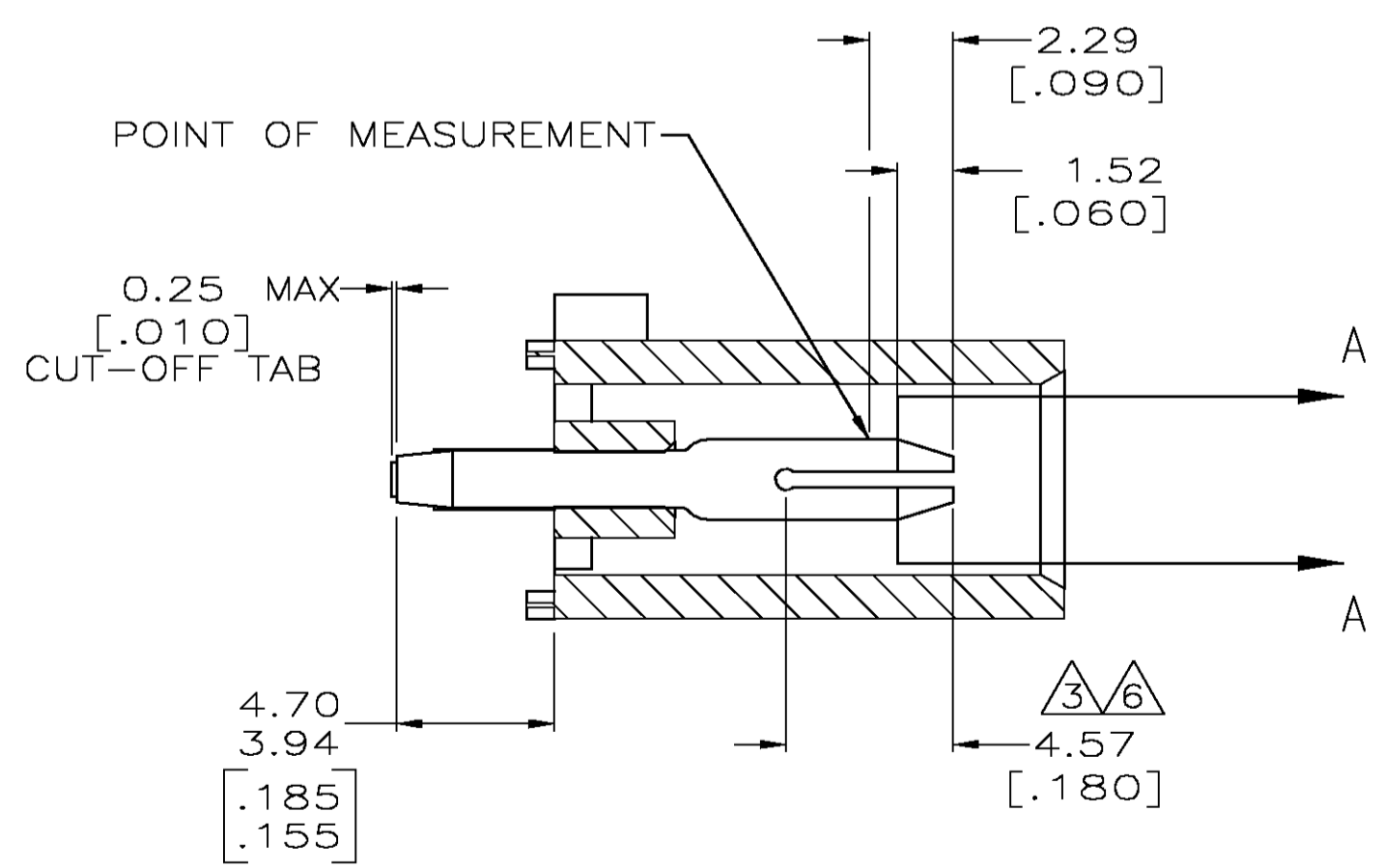
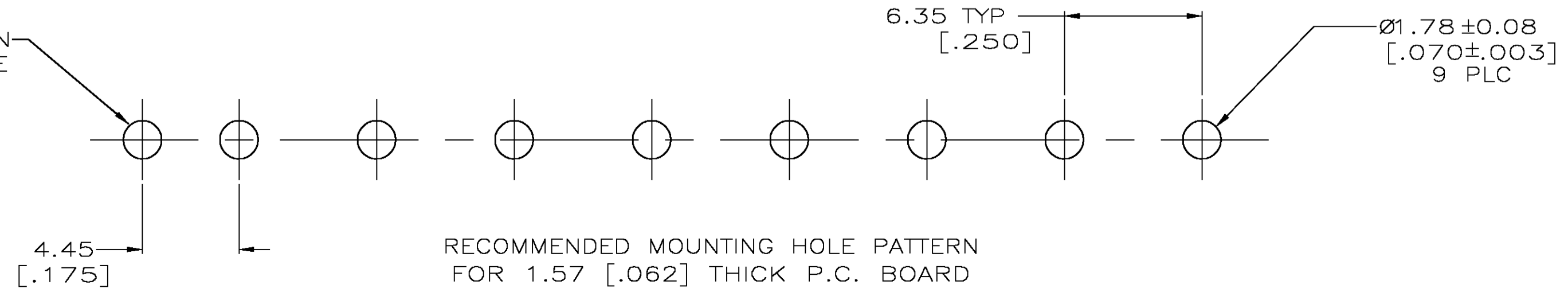


- PARTS COMPLY TO AMP SOLDERABILITY SPECIFICATION 109-11-3.
- CIRCUIT IDENTIFICATION CHARACTERS ARE ADJACENT TO THE INDICATED CAVITIES, BUT LOCATION AND ORIENTATION MAY DIFFER FROM PRINT.
- CONTACT IS PLATED OVERALL WITH 0.00127 [.000050] NICKEL, THEN 0.00076 [.000030] GOLD OVER CONTACT LENGTH INDICATED AND MATTE TIN LEAD ON SOLDER TAIL END.
- DIMENSIONS IN BRACKETS ARE IN INCHES.
- IDENTIFICATION WILL APPEAR AT CIRCUIT NO. 1, OTHERS OPTIONAL.
- CONTACT IS PLATED OVERALL WITH 0.00127 [.000050] NICKEL, THEN 0.00076 [.000030] GOLD OVER CONTACT LENGTH INDICATED AND MATTE TIN ON SOLDER TAIL END.



SECTION A-A
SCALE 10:1

FOR POLARIZATION FEATURE



PHOSPHOR BRONZE, GOLD	NYLON,UL94V-0,WHITE	643410-3
PHOSPHOR BRONZE, GOLD	NYLON,UL94V-0,WHITE	643410-2
PHOSPHOR BRONZE, PRE-TIN	NYLON,UL94V-0,WHITE	643410-1
PIN CONTACT MATERIAL AND FINISH	HOUSING MATERIAL	PART NUMBER

METRIC

THIS DRAWING IS A CONTROLLED DOCUMENT.

DIMENSIONS: mm [INCHES]	TOLERANCES UNLESS OTHERWISE SPECIFIED:	APVD	NAME
0 PLC ± -	1 PLC ± -	K. COBLE	TYCO Electronics
2 PLC ± 0.13 [.005]	3 PLC ± -		
4 PLC ± -	ANGLES ± - 0° 30'		
MATERIAL SEE TABLE	FINISH SEE TABLE	SIZE	CAGE CODE
		A1	00779
		WEIGHT	DRAWING NO
			643410
		CUSTOMER DRAWING	RESTRICTED TO
		SCALE 5:1	SHEET 1 OF 1