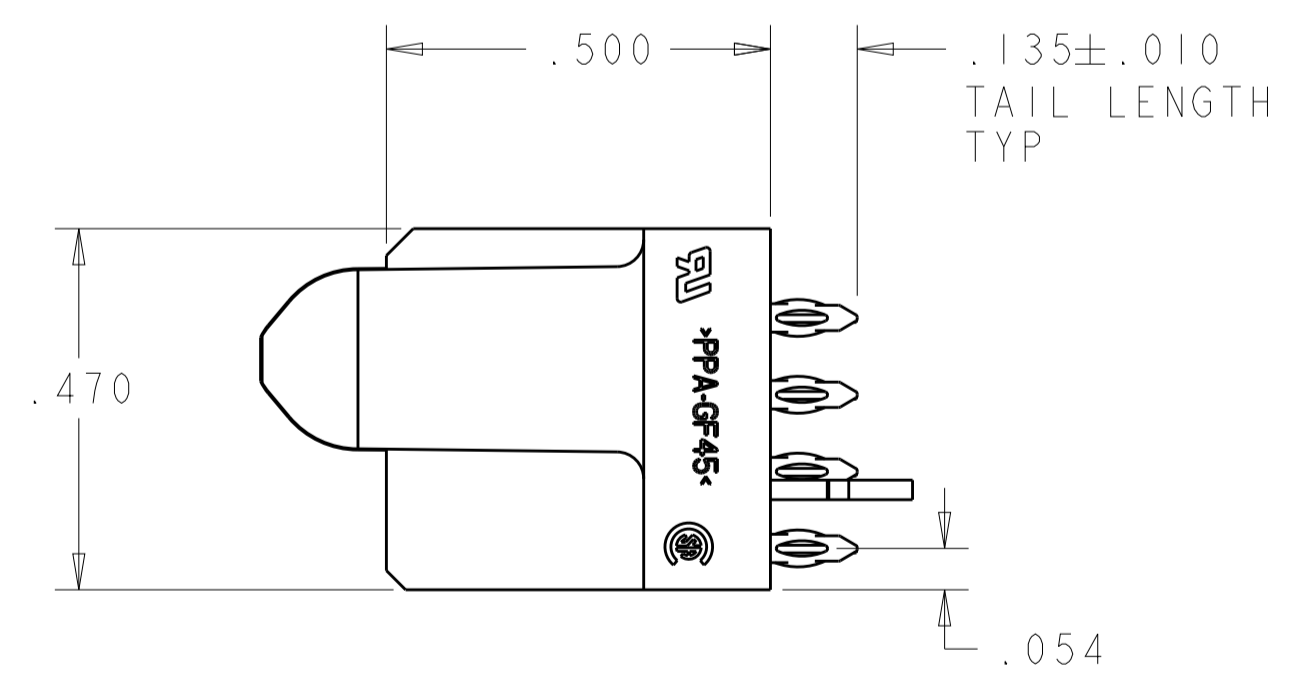
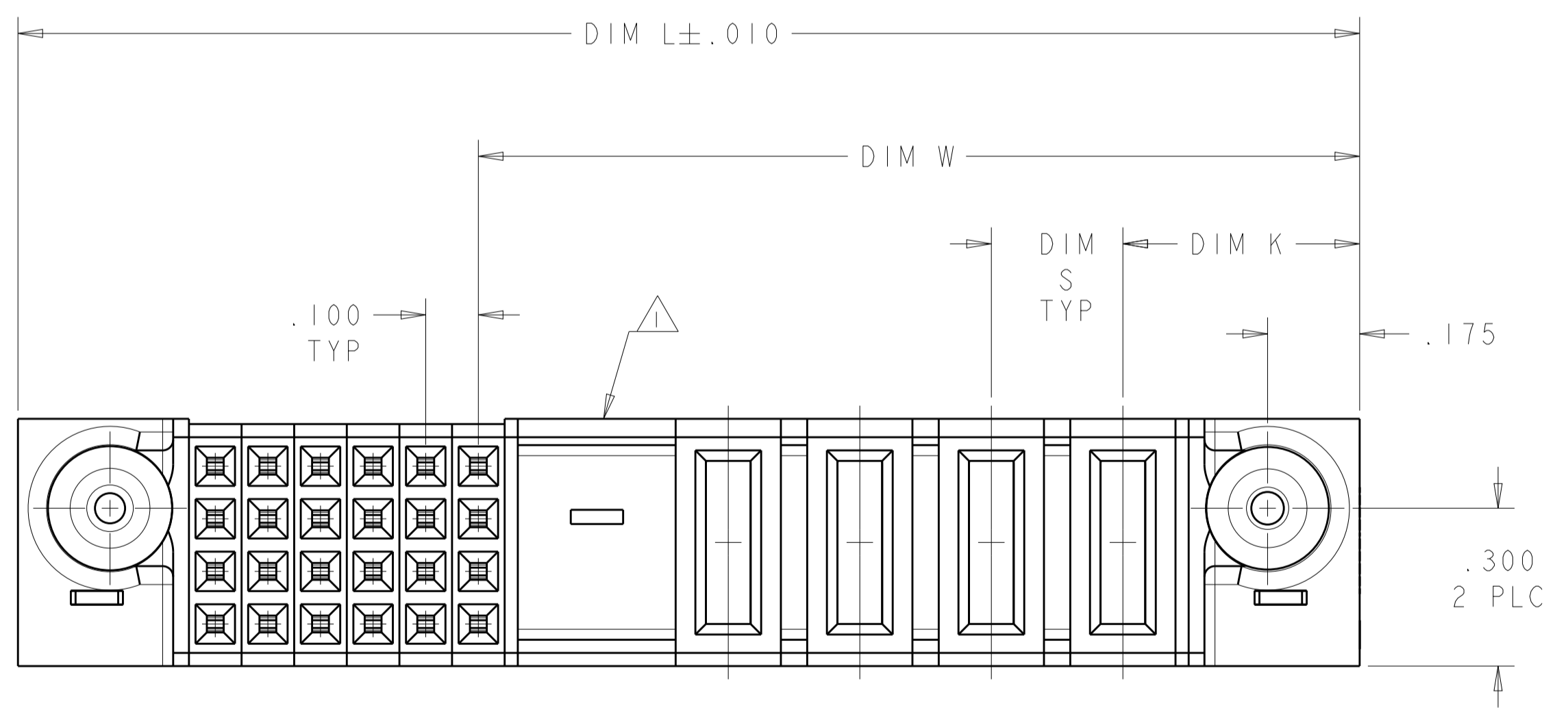
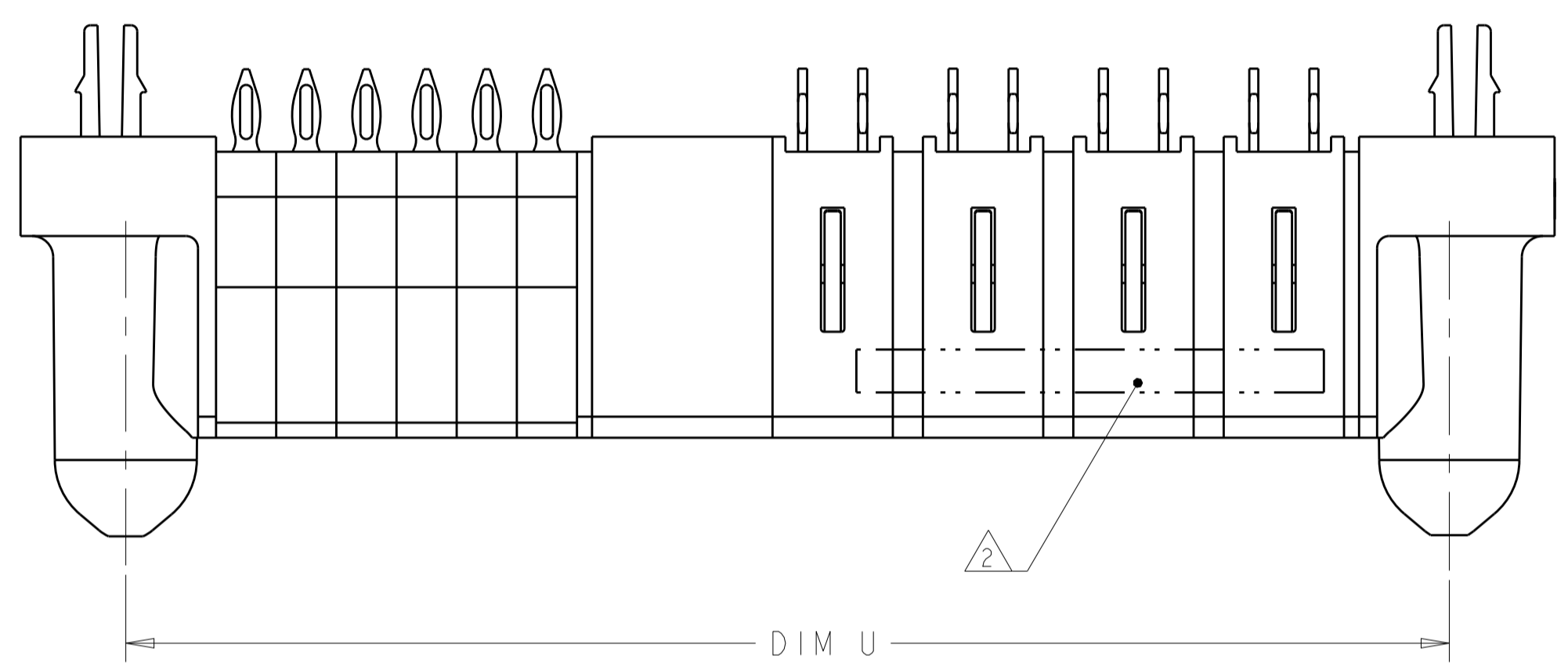
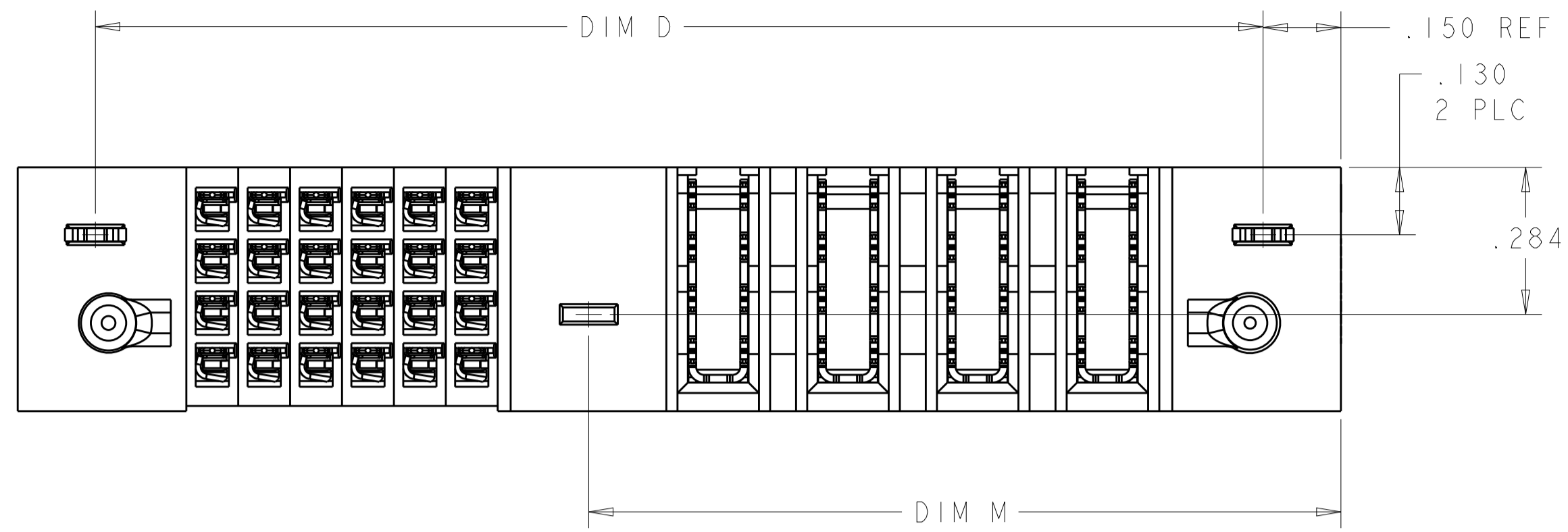


LOC	DIST	REVISIONS					
		P	LTN	DESCRIPTION	DATE	DWN	APVD
ES	00	F2		REV PER ECR-11-021537	24OCT2011	CZ	SZ
		F3		ADDED THE DASH NUMBER -2	19JAN2012	ML	SZ
		F4		ADVISED	19MAR2013	ML	SZ




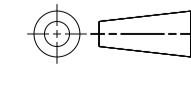
- 1 OPTIONAL CENTER MODULE, WITH Ø.150 THRU HOLE OR HOLD DOWN FEATURE
- 2 "AMP", PART NUMBER, AND DATE CODE TO BE MARKED IN AREA SHOWN, FAR SIDE
- 3 MATERIAL: HOUSING - GLASS FILLED HIGH TEMP THERMO PLASTIC, UL94 V-0
 SIGNAL CONTACT - HIGH CONDUCTIVITY COPPER ALLOY
 POWER CONTACT - HIGH CONDUCTIVITY COPPER ALLOY
- 4 CONTACT PLATING:
 NOBLE METAL PLATED ON THE CONTACT FUNCTIONAL AREA
 OF POWER AND SIGNAL CONTACTS.
- 5 MECHANICAL CONNECTOR KEEP OUT ZONE
- 6 DATUM AND BASIC DIMENSIONS ESTABLISHED BY CUSTOMER
- 7 PCB - ALL HOLE DIAMETERS ARE FINISHED HOLE SIZES
- 8 PCB - .0453 +/- .0010 DRILLED HOLES PLATED WITH .0003 MIN Sn
 OVER .001 TO .003 PLATING TO ACHIEVE A .040 DIA HOLE
- 9 VARIABLE DIMENSIONS SHOWN ON VIEW (SHEETS 4 AND 5).
- 10 NOT RELEASE FOR PRODUCTION.

THIS DRAWING IS A CONTROLLED DOCUMENT.		DWN R. GRZYBOWSKI 24JAN05	TE Connectivity
DIMENSIONS: INCHES		CHK M. PERCHERKE 24JAN05	
TOLERANCES UNLESS OTHERWISE SPECIFIED: 0 PLC ±. 1 PLC ±.01 2 PLC ±.01 3 PLC ±.005 4 PLC ±.0020 ANGLES ±.7°		APVD M. PERCHERKE	NAME VERTICAL RECEPTACLE ASSEMBLY WITH GUIDES, PRESS FIT MULTI-BEAM XL
MATERIAL		PRODUCT SPEC 108-1973	SIZE A1
FINISH		APPLICATION SPEC 114-13038	CAGE CODE DRAWING NO 00779C=6450552
CUSTOMER DRAWING		WEIGHT	RESTRICTED TO
SCALE 4:1		SHEET 1 OF 8	REV F4

THIS DRAWING IS UNPUBLISHED. RELEASED FOR PUBLICATION 20
 © COPYRIGHT 20 BY - ALL RIGHTS RESERVED.

LOC	DIST	REVISIONS					
ES	00	P	LTN	DESCRIPTION	DATE	DWN	APVD
		-		SEE SHEET 1			

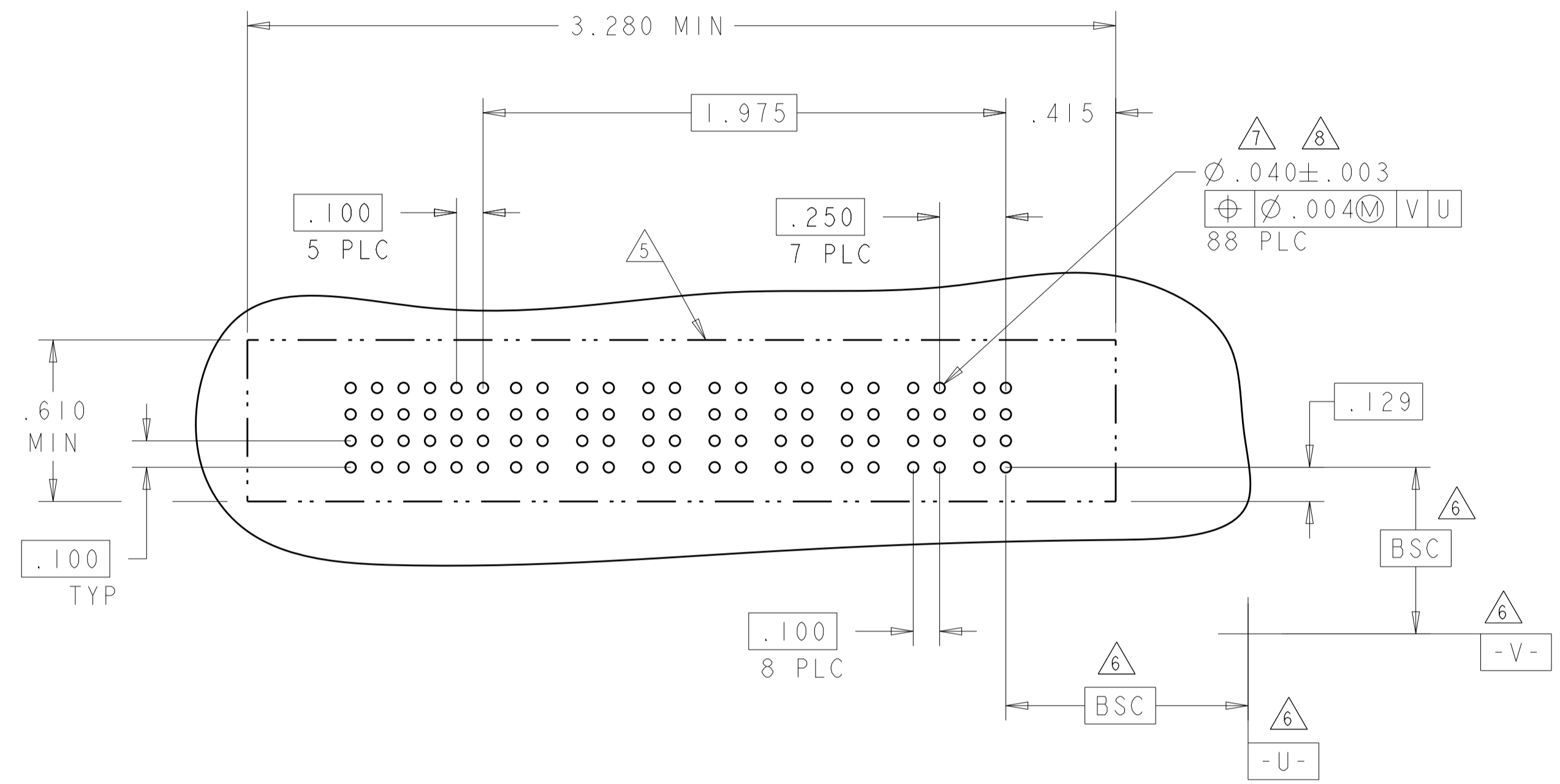
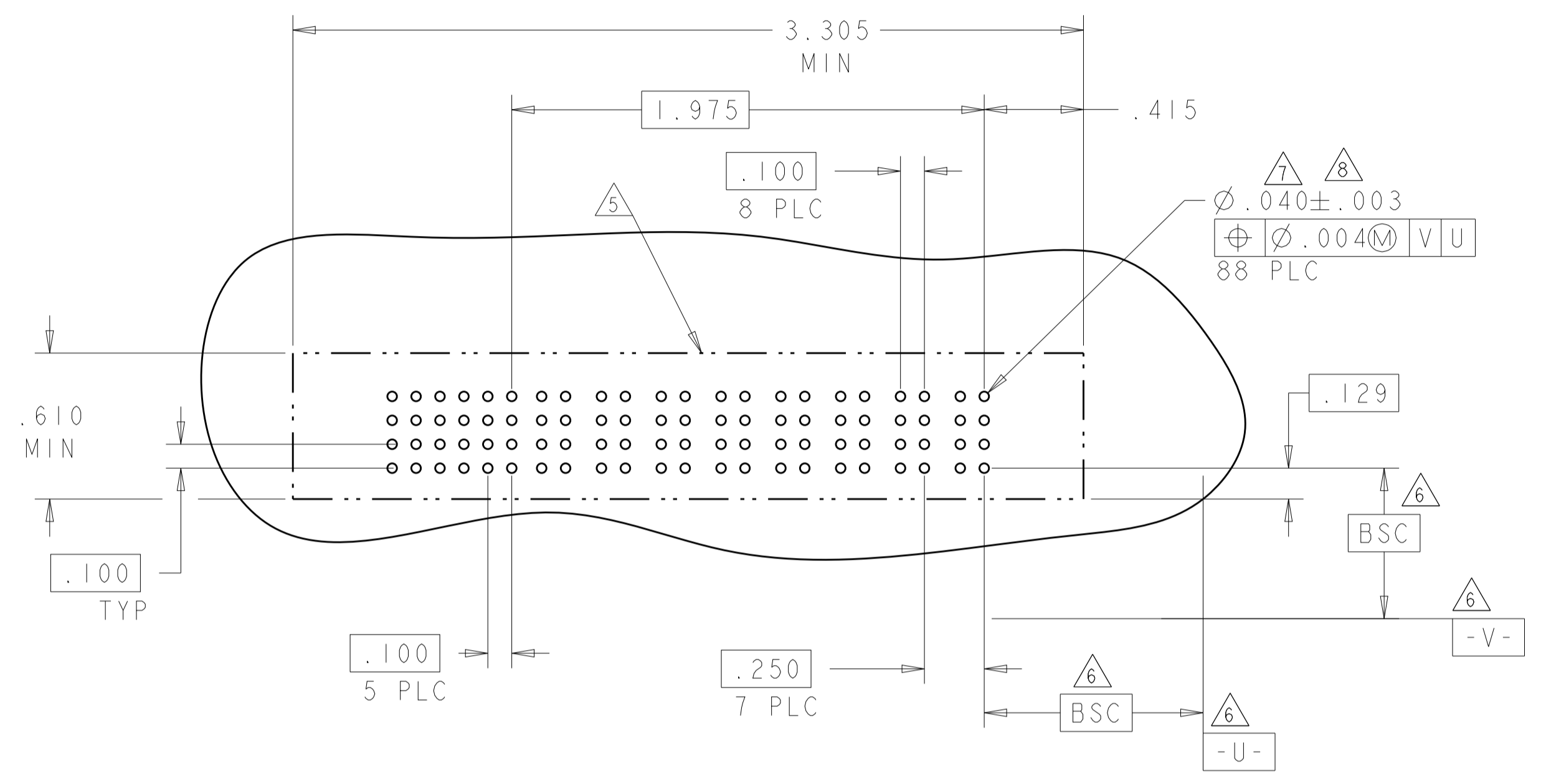
F1	NO	-	-	1.900	.250	1.375	2.250	.450	4P + 24S	2-6450550-0
F	NO	-	-	2.950	.200	2.425	3.300	.450	10HDP + 24S	1-6450552-9
F2	YES	-	1.900	1.850	.250	1.825	2.200	.450	7HDP + 4S	1-6450552-8
	NO	-	-	4.600	.250	3.875	4.950	.450	14P + 32S	1-6450552-2
	NO	-	-	5.100	-	2.375	5.450	.450	8P + 112S	1-6450552-0
	NO	-	-	3.800	-	3.175	4.150	.450	12P + 28S	6450552-9
	NO	-	-	2.275	-	1.750	2.625	.450	5P + 24S	6450552-8
	NO	-	-	2.825	-	2.300	3.175	.475	3ACP + 4P + 24S	6450552-7
	NO	-	-	2.900	.250	2.375	3.250	.450	8P + 24S	6450552-6
	NO	-	-	3.225	-	2.675	3.575	.525	3ACP + 6P + 24S	6450552-5
	NO	-	-	2.900	.250	2.375	3.250	.450	8P + 24S	6450552-4
	NO	-	3.150	3.100	.250	.875	3.450	.450	2P + 92S	6450552-2
	NO	-	-	2.925	.250	2.375	3.275	.450	8P + 24S	6450552-1
	RETENTION CLIP	M	D	U	S	W	L	K	DESCRIPTION	PART NUMBER

THIS DRAWING IS A CONTROLLED DOCUMENT.		DWN R. GRZYBOWSKI CHK M. PERCHERKE	24JAN05 24JAN05	 TE Connectivity NAME VERTICAL RECEPTACLE ASSEMBLY WITH GUIDES, PRESS FIT MULTI-BEAM XL
DIMENSIONS: INCHES	TOLERANCES UNLESS OTHERWISE SPECIFIED:	APVD M. PERCHERKE	PRODUCT SPEC 108-1973	
	0 PLC ±. 1 PLC ±.01 3 PLC ±.005 4 PLC ±.0020 ANGLES ±.7°	APPLICATION SPEC 114-13038	RESTRICTED TO	
MATERIAL	FINISH	WEIGHT	SIZE A100779	CAGE CODE 6450552
CUSTOMER DRAWING		SCALE 4:1	SHEET 2	OF 8
		REV F4		

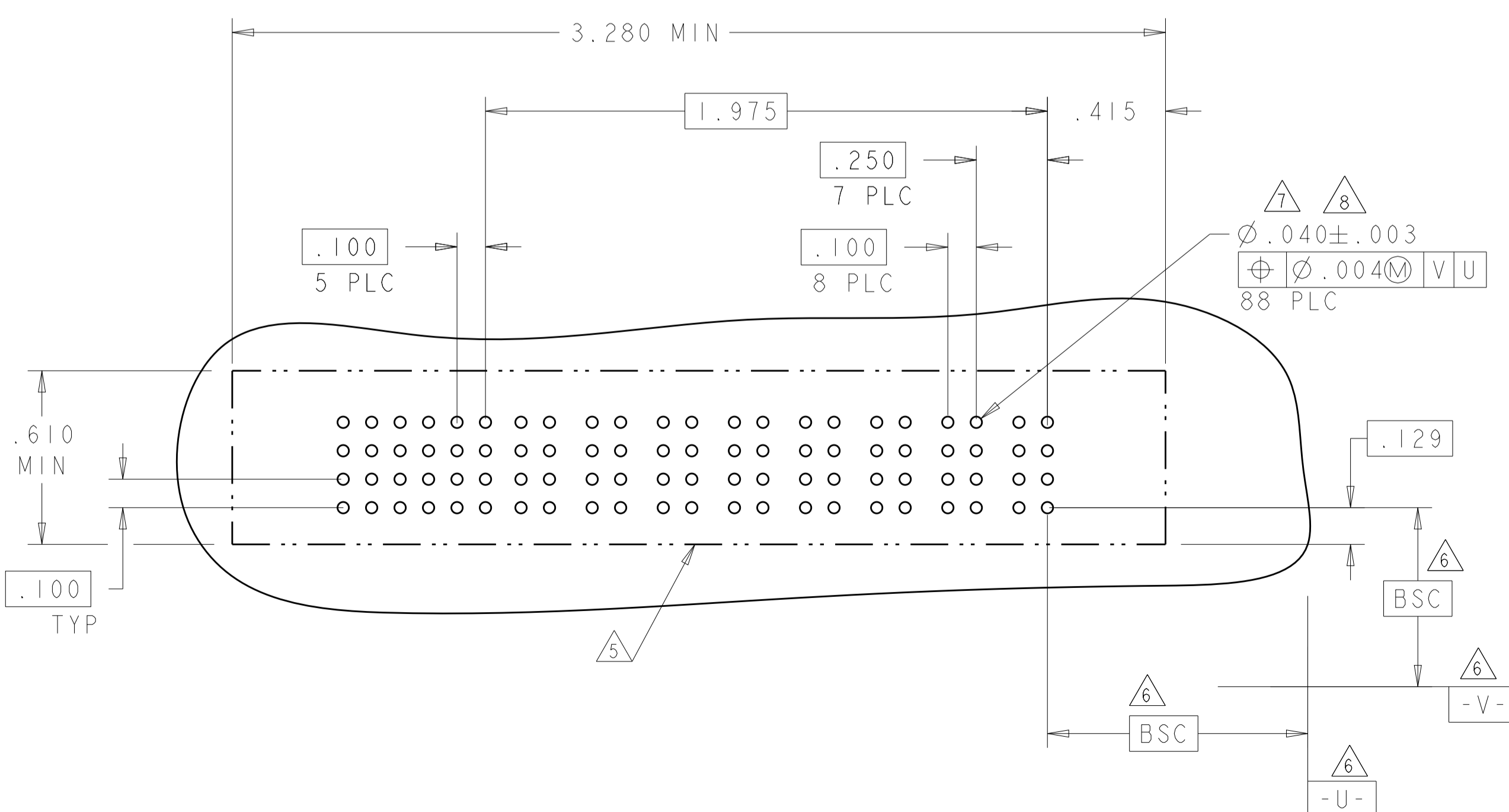
LOC		DIST		REVISIONS			
P	LTN	DATE	OWN	APVD	DESCRIPTION	DATE	OWN
-	-	-	-	-	SEE SHEET 1	-	-

ASSY PART NUMBER	ROWS	SIGNAL								POWER							
		6	5	4	3	2	1	P8	P7	P6	P5	P4	P3	P2	P1		
6450552-1	D C B A	AP	AP	AP	AP	AP	AP	GP	GP	GP	GP	GS	GS	GS	GS		
		AP	AP	AP	AP	AP	AP	GP	GP	GP	GP	GS	GS	GS	GS		
		AP	AP	AP	AP	AP	AP	GP	GP	GP	GP	GS	GS	GS	GS		
		AP	AP	AP	AP	AP	AP	GP	GP	GP	GP	GS	GS	GS	GS		
8P + 24S																	

PART NUMBER	ROWS	SIGNAL								POWER							
		6	5	4	3	2	1	P8	P7	P6	P5	P4	P3	P2	P1		
6450552-6	D C B A	AP	AP	AP	AP	AP	AP	GS	GS	GP	GP	GP	GP	GS	GS		
		AP	AP	AP	AP	AP	AP	GS	GS	GP	GP	GP	GP	GS	GS		
		AP	AP	AP	AP	AP	AP	GS	GS	GP	GP	GP	GP	GS	GS		
		AP	AP	AP	AP	AP	AP	GS	GS	GP	GP	GP	GP	GS	GS		
8P + 24S																	



PART NUMBER	ROWS	SIGNAL								POWER							
		6	5	4	3	2	1	P8	P7	P6	P5	P4	P3	P2	P1		
6450552-4	D C B A	AP	AP	AP	AP	AP	AP	GP	GP	GP	GP	GS	GS	GS	GS		
		AP	AP	AP	AP	AP	AP	GP	GP	GP	GP	GS	GS	GS	GS		
		AP	AP	AP	AP	AP	AP	GP	GP	GP	GP	GS	GS	GS	GS		
		AP	AP	AP	AP	AP	AP	GP	GP	GP	GP	GS	GS	GS	GS		
8P + 24S																	



CODE	TAIL LENGTH	DESCRIPTION	ROW
BP	.165	SIGNAL PRESS FIT	A.B.C.D
AP	.135	SIGNAL PRESS FIT	A.B.C.D
HP	.165	POWER PRESS FIT (MFBL)	-
HS	.165	POWER PRESS FIT (STD)	-
GP	.135	POWER PRESS FIT (MFBL)	-
GS	.135	POWER PRESS FIT (STD)	-

CONTACT

THIS DRAWING IS A CONTROLLED DOCUMENT.		OWN: R. GRZYBOWSKI 24JAN05	TE Connectivity
DIMENSIONS: INCHES		CHK: M. PERCHERKE 24JAN05	
TOLERANCES UNLESS OTHERWISE SPECIFIED:		APVD: M. PERCHERKE	NAME: VERTICAL RECEPTACLE ASSEMBLY WITH GUIDES, PRESS FIT MULTI-BEAM XL
0 PLC ±.01 1 PLC ±.01 2 PLC ±.01 3 PLC ±.005 4 PLC ±.002 ANGLES ±.020		PRODUCT SPEC: 108-1973	SIZE: CAGE CODE DRAWING NO: A100779
MATERIAL: FINISH:		APPLICATION SPEC: 114-13038	RESTRICTED TO: C=6450552
		WEIGHT: CUSTOMER DRAWING	SCALE: 4:1 SHEET 3 OF 8 REV: F4

LOC	DIST	REV	DATE	BY	APPV
ES	00				

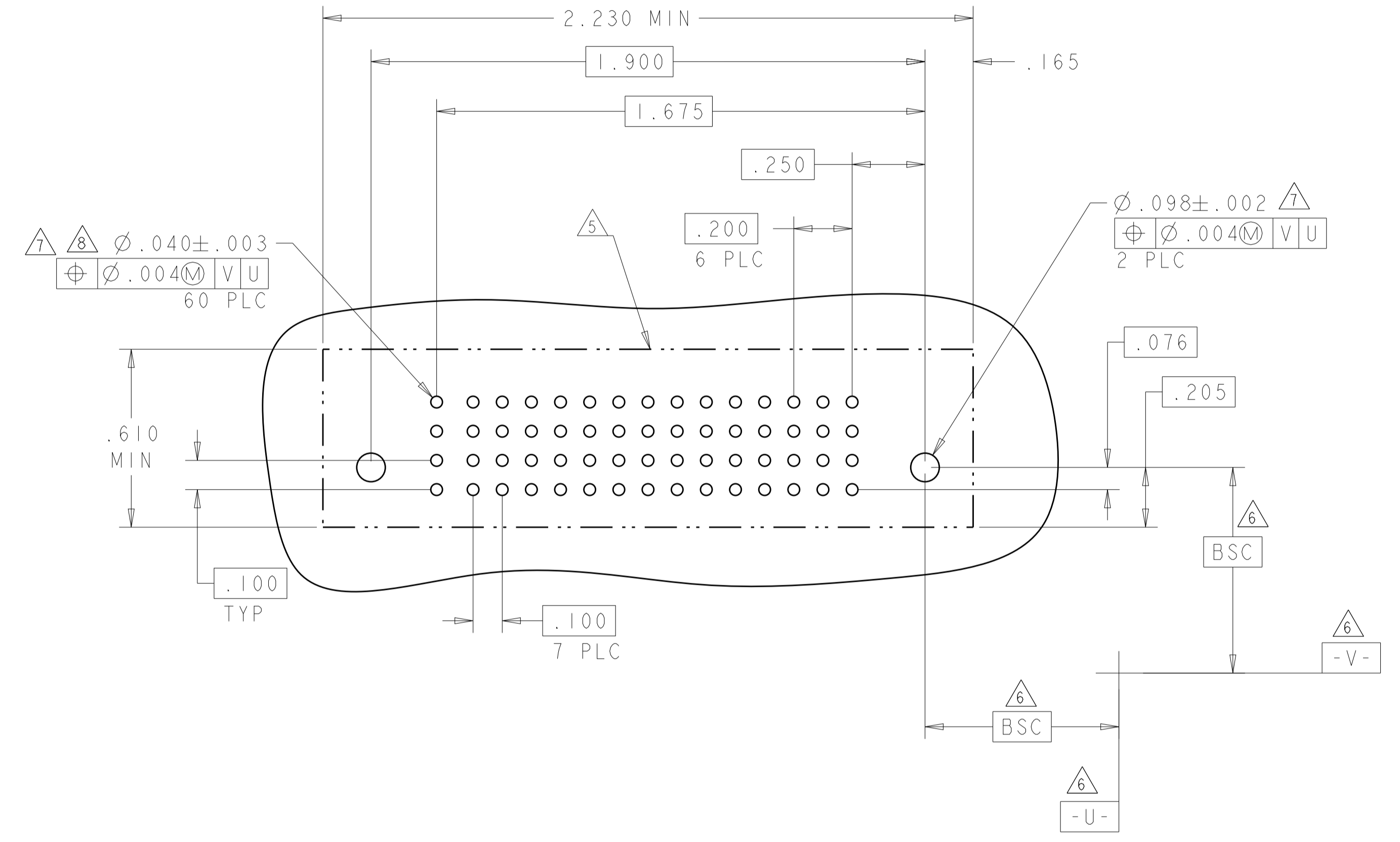
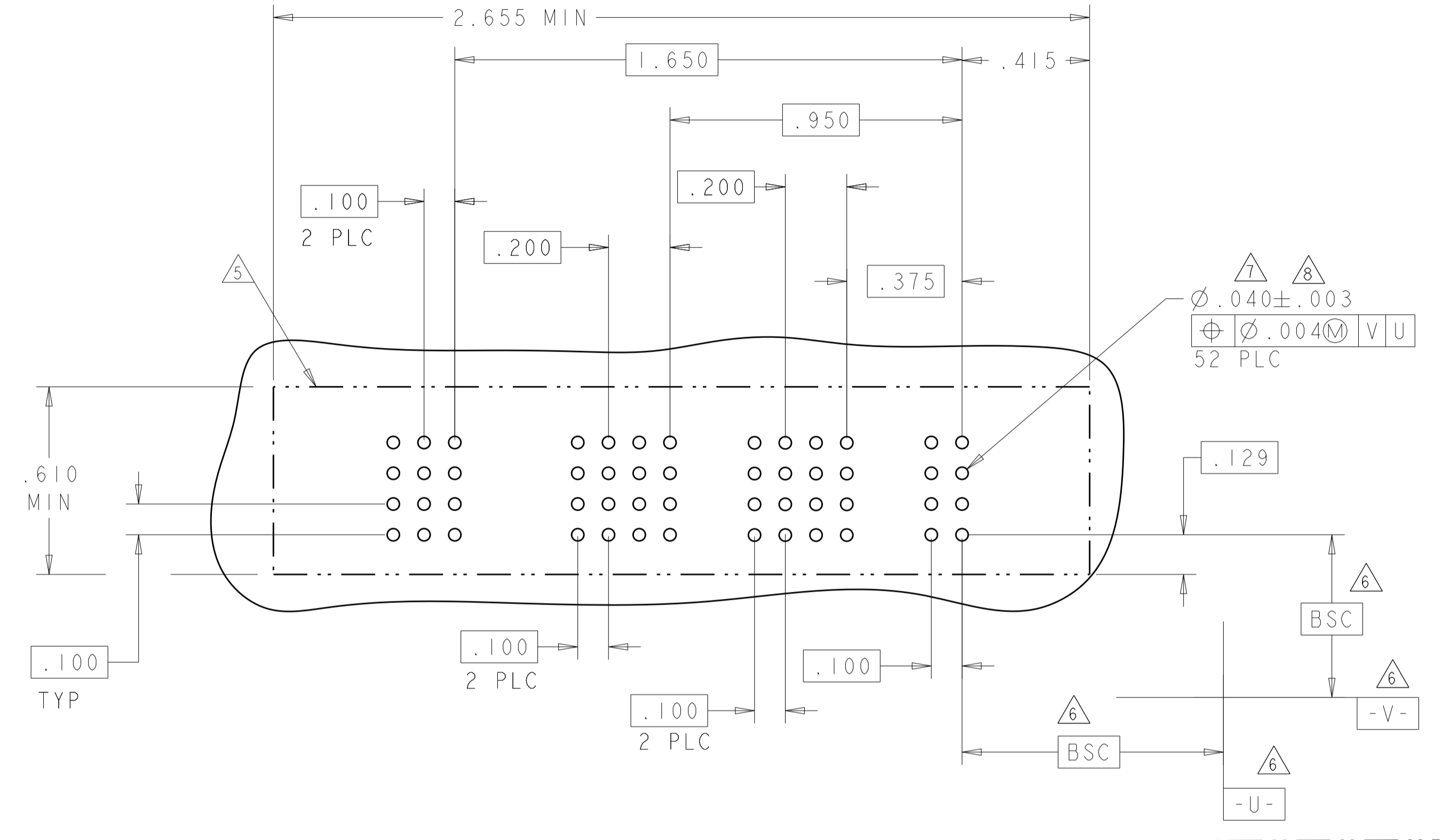
REVISIONS			
NO.	DESCRIPTION	DATE	BY
1	SEE SHEET 1		

PART NUMBER	ROWS	SIGNAL						POWER				
		6	5	4	3	2	1	P5	P4	P3	P2	P1
6450552-8	D C B A	AP	AP	AP				GS	GS	GP	GP	GP
		AP	AP	AP								
		AP	AP	AP								
		AP	AP	AP								

5P + 24S
NO CONTACTS LOADED
2 PLC

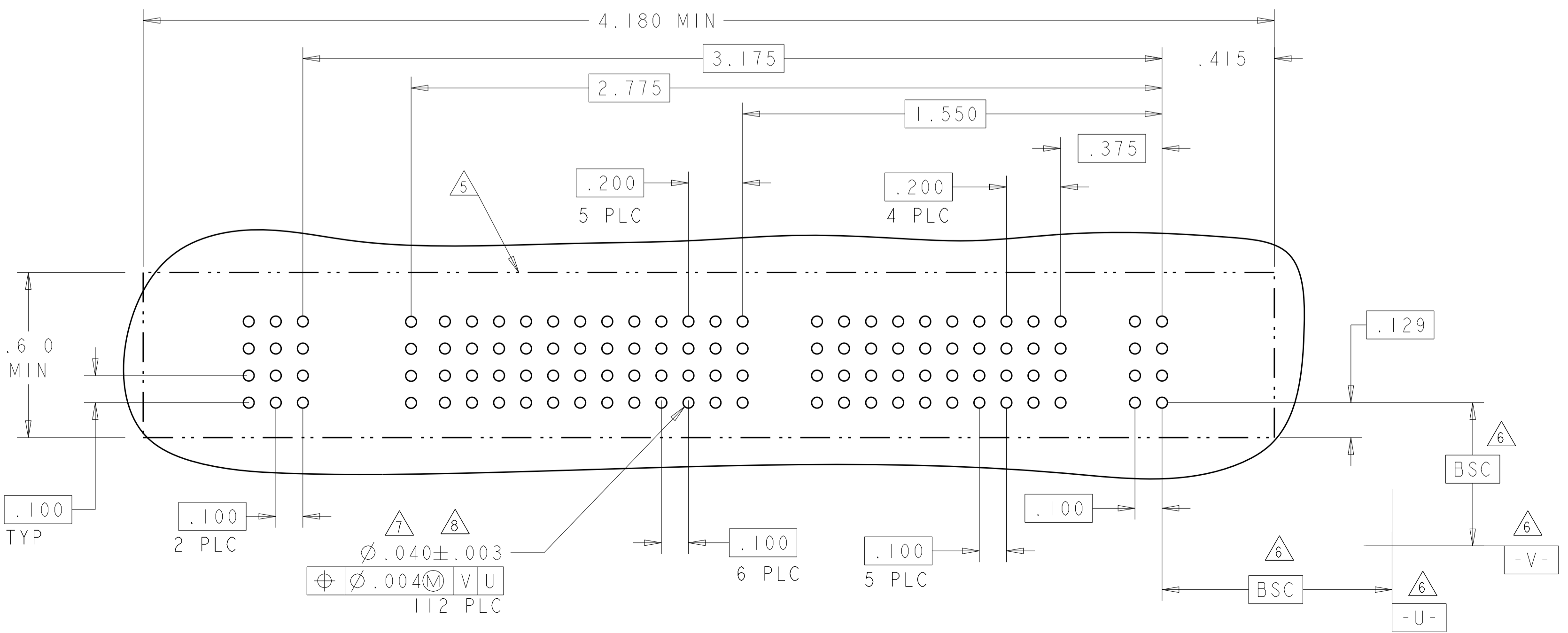
PART NUMBER	ROWS	SIGNAL						POWER				
		I	P7	P6	P5	P4	P3	P2	P1			
I-6450552-8	D C B A	AP	GP	GP	GS	GS	GS	GP	GP			
		AP										
		AP										
		AP										

7HDP + 4S



PART NUMBER	ROWS	SIGNAL							POWER										
		7	6	5	4	3	2	1	PI2	PI1	PI0	P9	P8	P7	P6	P5	P4	P3	P2
6450552-9	D C B A	AP	AP	AP			AP	GP	GS	GS	GS	GS	GS	GP	GP	GP	GP	GP	GP
		AP	AP	AP			AP												
		AP	AP	AP			AP												
		AP	AP	AP			AP												

12P + 28S
NO CONTACTS LOADED
9 PLC



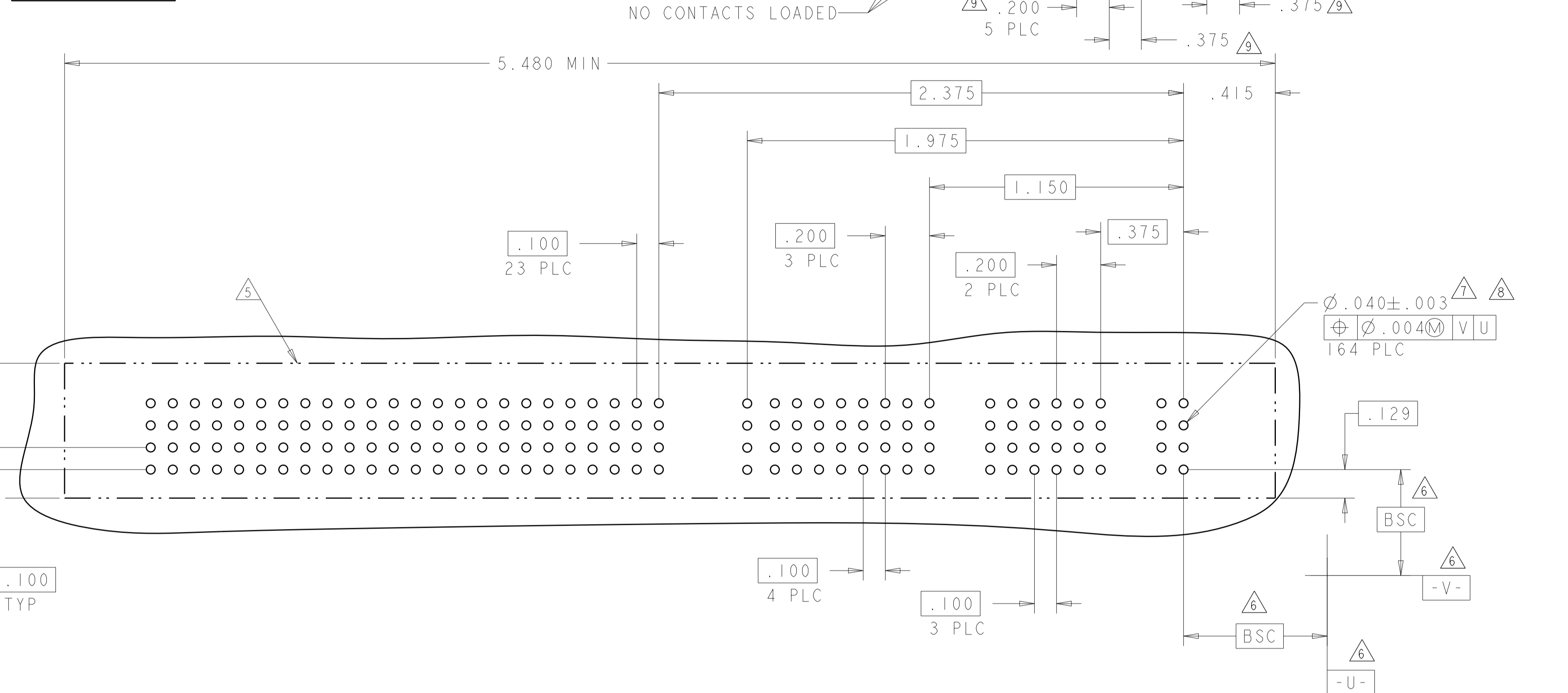
THIS DRAWING IS A CONTROLLED DOCUMENT.

DIMENSIONS: INCHES	TOLERANCES UNLESS OTHERWISE SPECIFIED:	OWN: R. GRZYBOWSKI 24JAN05	CHK: M. PERCHERKE 24JAN05	APVD: M. PERCHERKE	NAME: VERTICAL RECEPTACLE ASSEMBLY WITH GUIDES, PRESS FIT MULTI-BEAM XL
MATERIAL:	FINISH:	PRODUCT SPEC: 108-1973	APPLICATION SPEC: 114-13038	WEIGHT:	SIZE: A1
CUSTOMER DRAWING		SCALE: 4:1		SHEET 4 OF 8	

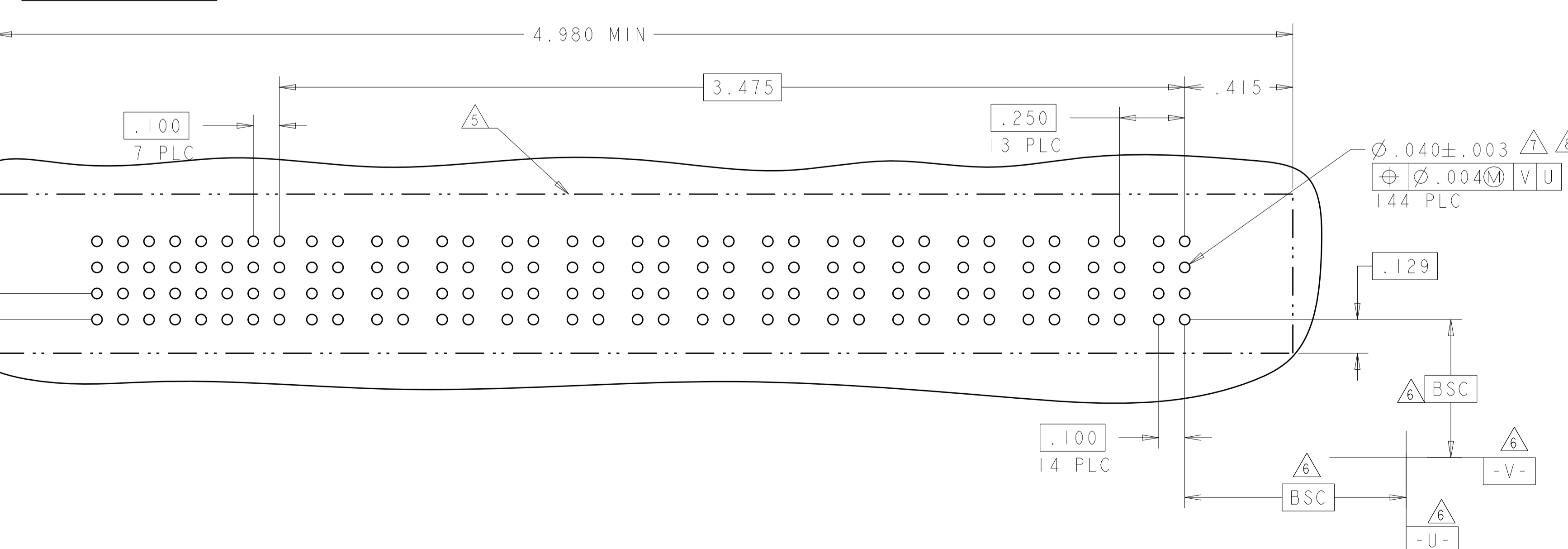
4805 (3/11)

LOC	DIST	REVISIONS			
ES	00	REV	DATE	BY	APPV
		1	SEE SHEET 1		

PART NUMBER	ROWS	SIGNAL																				POWER																
		28	27	26	25	24	23	22	21	20	19	18	17	16	15	14	13	12	11	10	9	8	7	6	5	4	3	2	1	P8	P7	P6	P5	P4	P3	P2	P1	
1-6450552-0	D C B A	AP																				AP	GP	GS	GS	GS	GP	GP	GP	GP								
		AP																				AP	GP	GS	GS	GS	GP	GP	GP	GP								
		AP																				AP	GP	GS	GS	GS	GP	GP	GP	GP								
		AP																				AP	GP	GS	GS	GS	GP	GP	GP	GP								



PART NUMBER	ROWS	SIGNAL								POWER													
		8	7	6	5	4	3	2	1	PI4	PI3	PI2	PI1	PI0	P9	P8	P7	P6	P5	P4	P3	P2	P1
1-6450552-2	D C B A	AP								GS	GP	GS	GP	GS	GP	GS	GP	GS	GP	GS	GP	GS	GP
		AP								GS	GP	GS	GP	GS	GP	GS	GP	GS	GP	GS	GP	GS	GP
		AP								GS	GP	GS	GP	GS	GP	GS	GP	GS	GP	GS	GP	GS	GP
		AP								GS	GP	GS	GP	GS	GP	GS	GP	GS	GP	GS	GP	GS	GP



THIS DRAWING IS A CONTROLLED DOCUMENT.

DWN: R. GRZYBOWSKI 24JAN05
 CHK: M. PERCHERKE 24JAN05

TE Connectivity

VERTICAL RECEPTACLE ASSEMBLY WITH GUIDES, PRESS FIT MULTI-BEAM XL

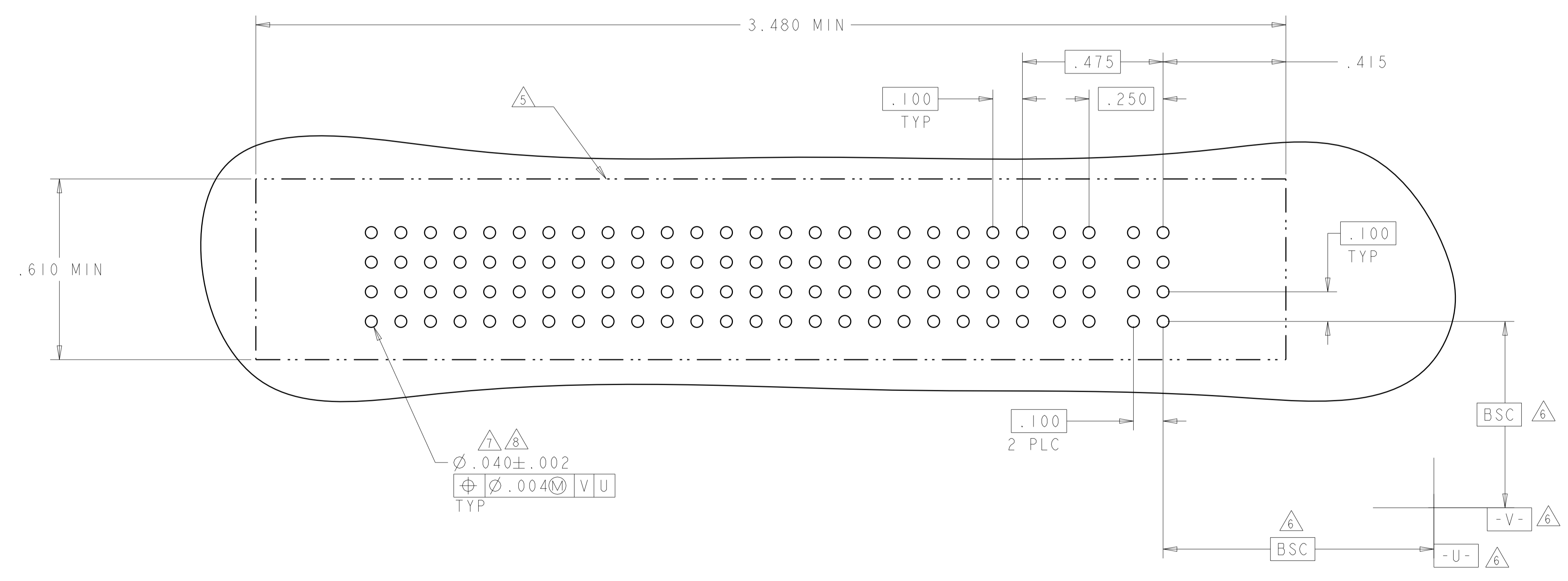
SIZE: A1 CAGE CODE: 6450552 DRAWING NO: 114-13038

SCALE: 4:1 SHEET: 5 OF 8 REV: F.4

LOC	DIST	REVISIONS			
P	LTN	DESCRIPTION	DATE	DMN	APVD
-	-	SEE SHEET 1	-	-	-

PART NUMBER	ROWS	SIGNAL																			POWER							
		23	22	21	20	19	18	17	16	15	14	13	12	11	10	9	8	7	6	5	4	3	2	1	P2	P1		
6450552-2	D C B A	AP	AP	AP	AP	AP	AP	AP	AP	AP	AP	AP	AP	AP	AP	AP	AP	AP	AP	AP	AP	AP	AP	AP	AP	GP	GS	
		AP	AP	AP	AP	AP	AP	AP	AP	AP	AP	AP	AP	AP	AP	AP	AP	AP	AP	AP	AP	AP	AP	AP	AP	GP	GS	
		AP	AP	AP	AP	AP	AP	AP	AP	AP	AP	AP	AP	AP	AP	AP	AP	AP	AP	AP	AP	AP	AP	AP	AP	GP	GS	
		AP	AP	AP	AP	AP	AP	AP	AP	AP	AP	AP	AP	AP	AP	AP	AP	AP	AP	AP	AP	AP	AP	AP	AP	GP	GS	
2P + 92S																												

F3



THIS DRAWING IS A CONTROLLED DOCUMENT.		DMN: R. GRZYBOWSKI 24JAN05	 TE Connectivity
DIMENSIONS: INCHES		CHK: M. PERCHERKE 24JAN05	
TOLERANCES UNLESS OTHERWISE SPECIFIED:		APVD: M. PERCHERKE	NAME: VERTICAL RECEPTACLE ASSEMBLY WITH GUIDES, PRESS FIT MULTI-BEAM XL
0 PLC ± .01		PRODUCT SPEC: 108-1973	SIZE: A1
1 PLC ± .01		APPLICATION SPEC: 114-13038	CAGE CODE: C=6450552
2 PLC ± .005		WEIGHT: -	RESTRICTED TO: -
3 PLC ± .002		CUSTOMER DRAWING	SCALE: 4:1
4 PLC ± .0020		SCALE: 4:1	SHEET: 8 OF 8
ANGLES: ± 2°		SCALE: 4:1	REV: F4