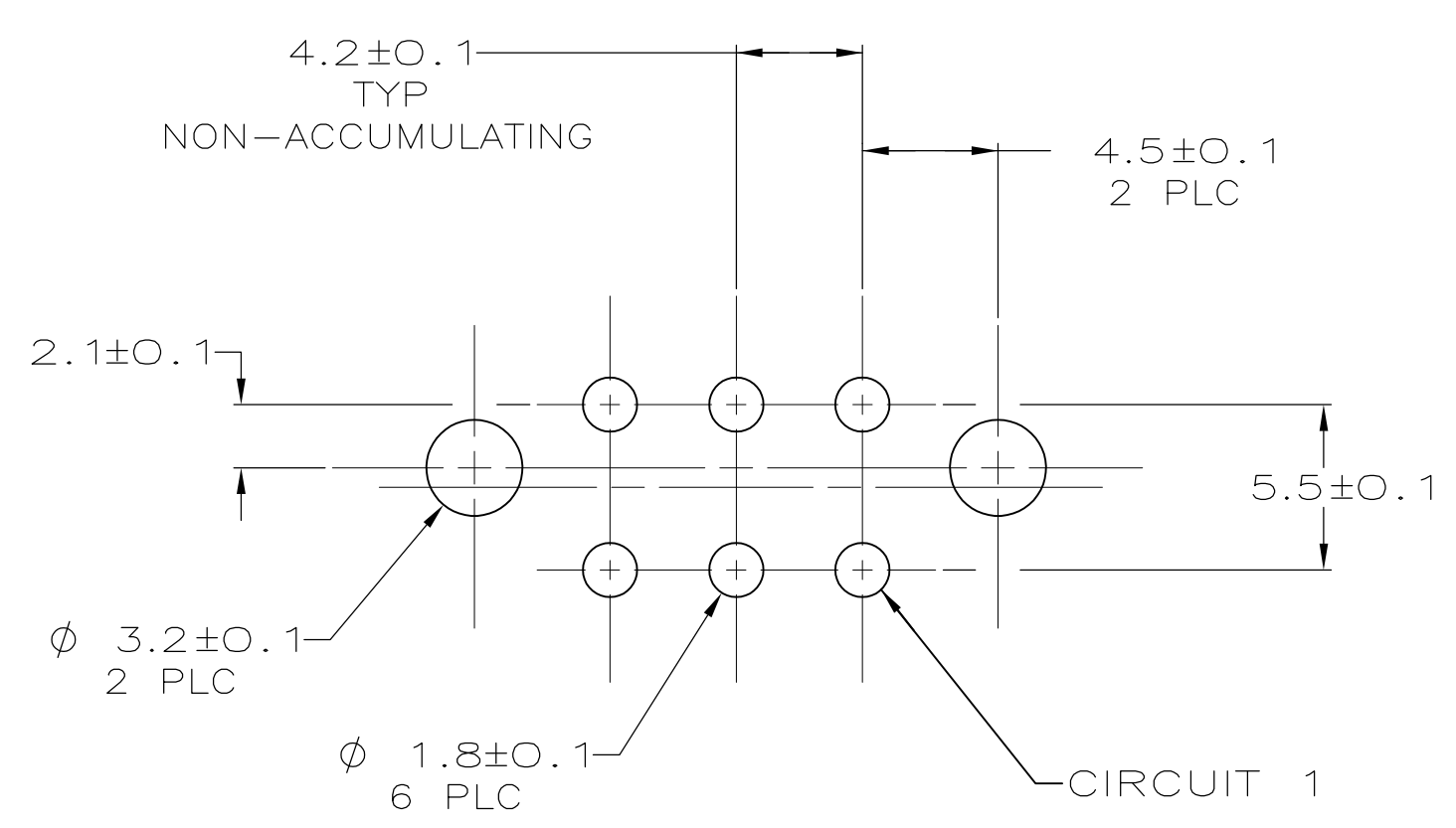
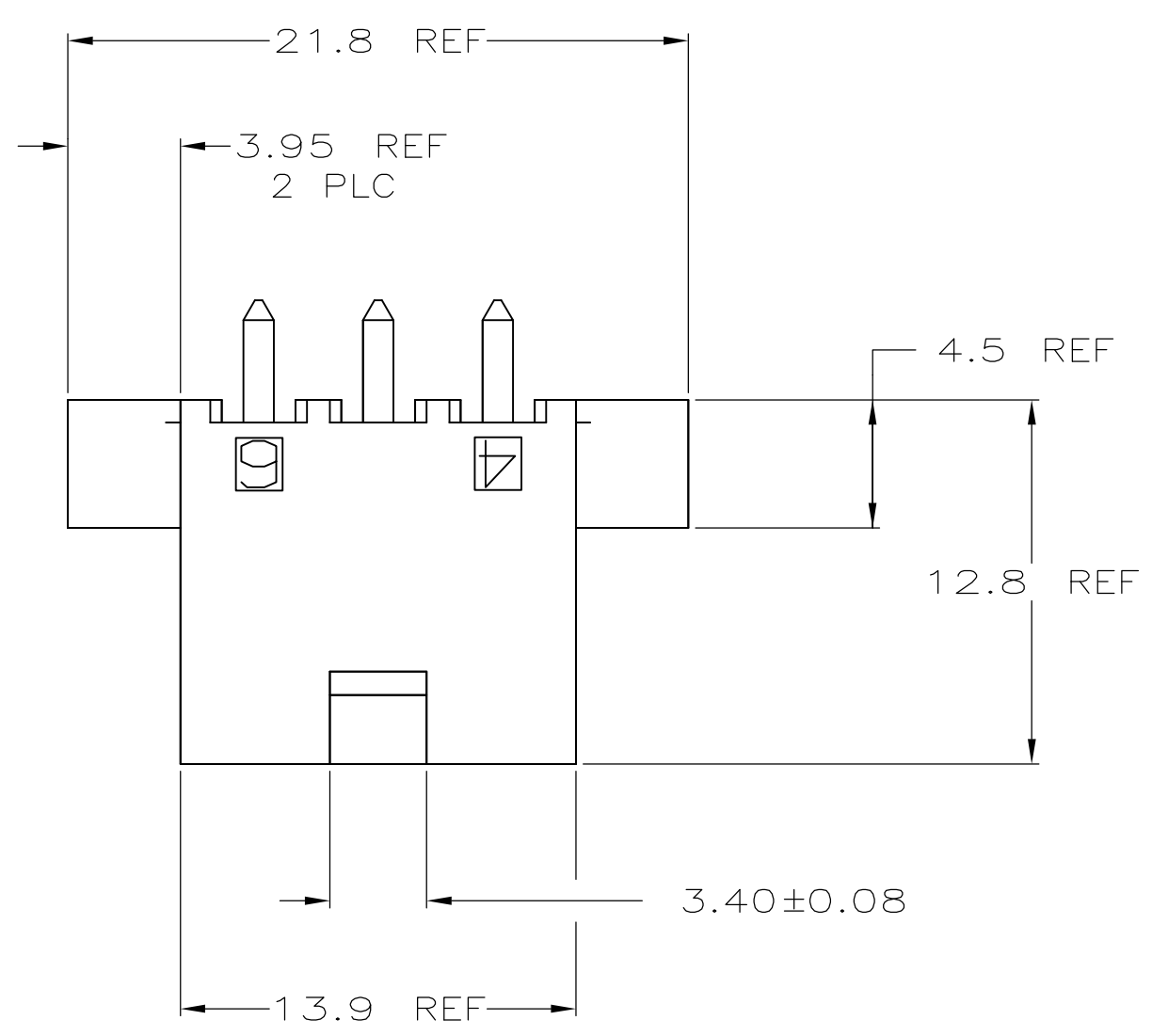
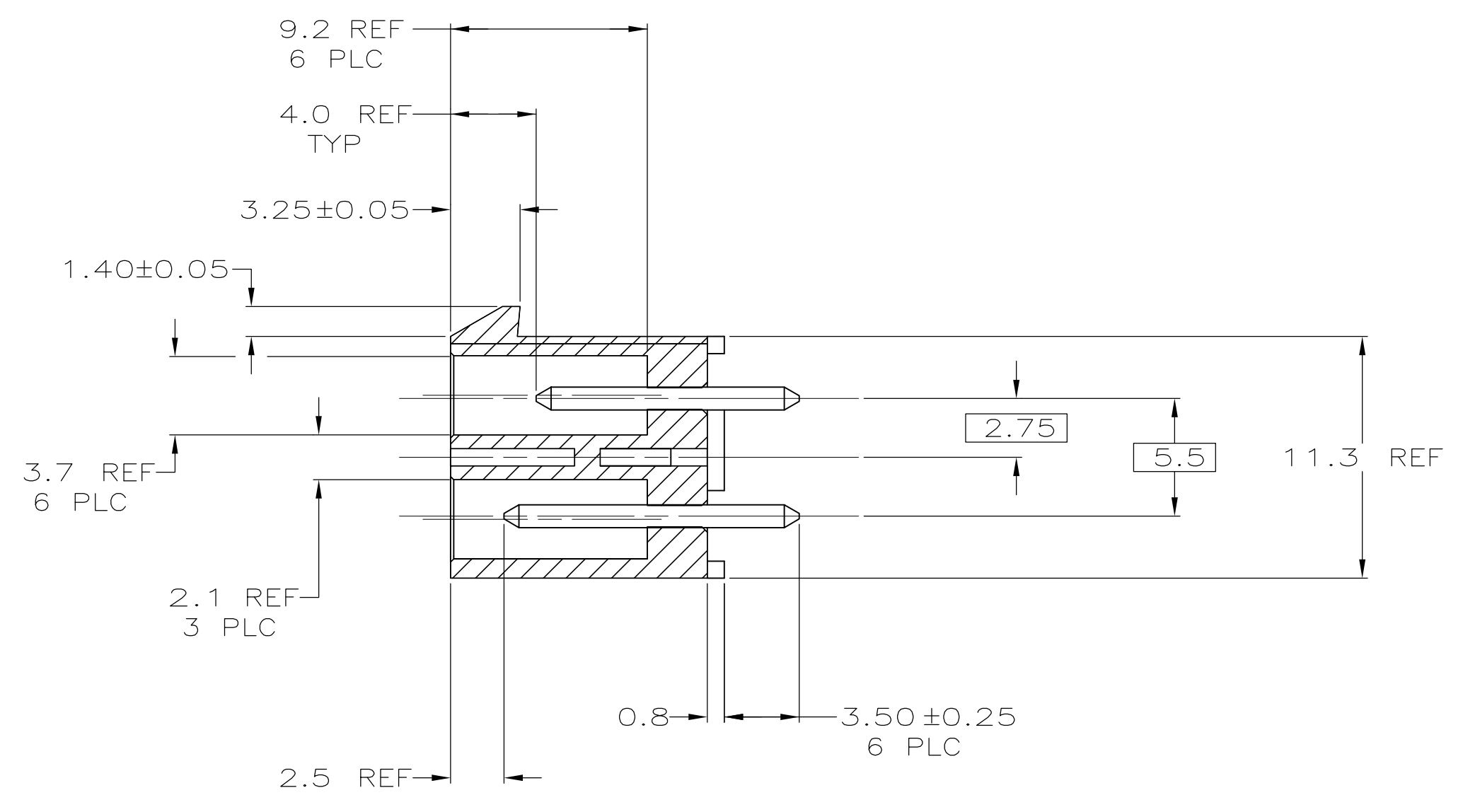
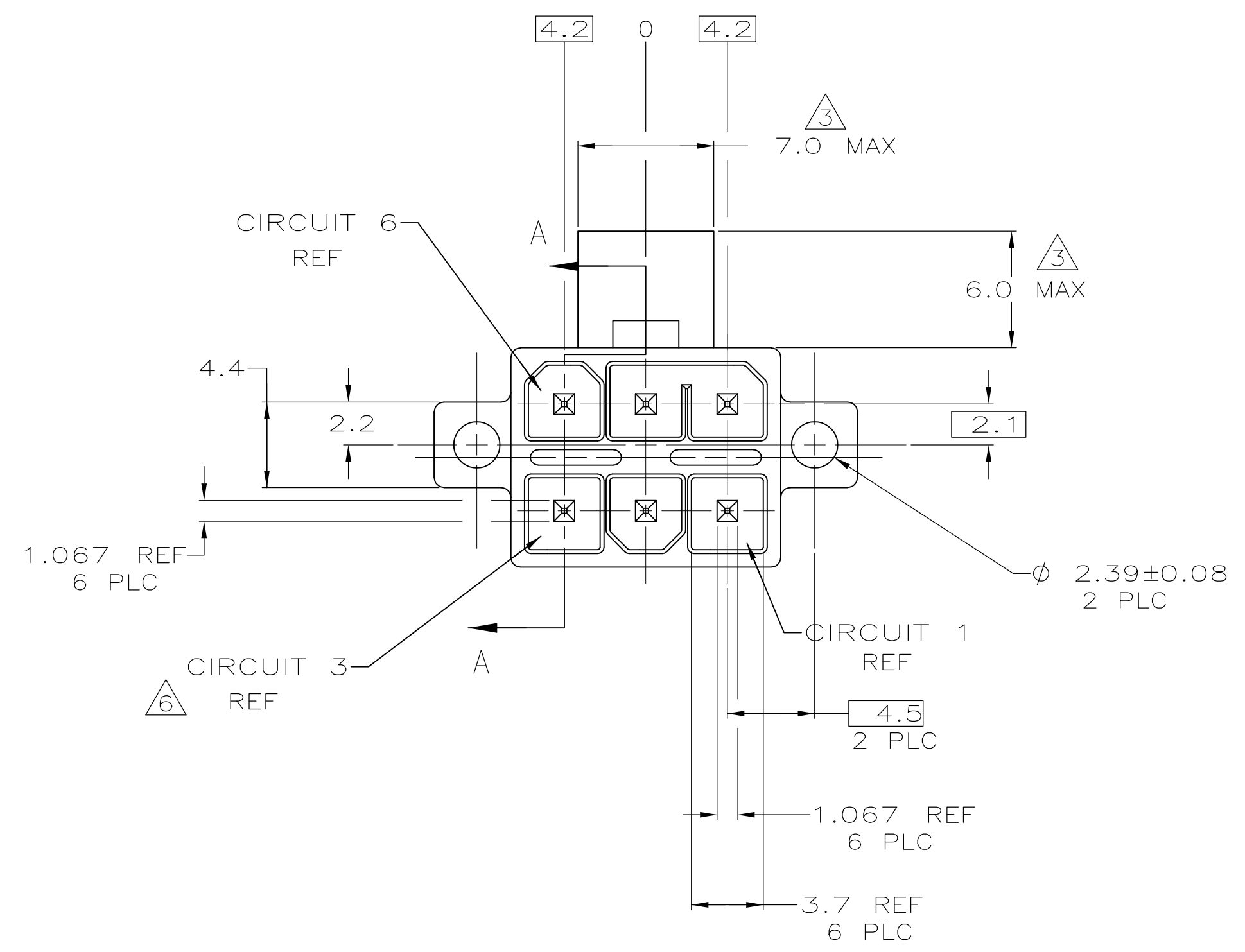


LOC		DIST		REVISIONS			
CM	53	REV	PER	DATE	BY	APPROVED	
C		REV PER EC	OG18-0162-98	9-1-98	JH	RS	
C1		REVISED PER ECO-09-022908		08OCT09	KK	AEG	

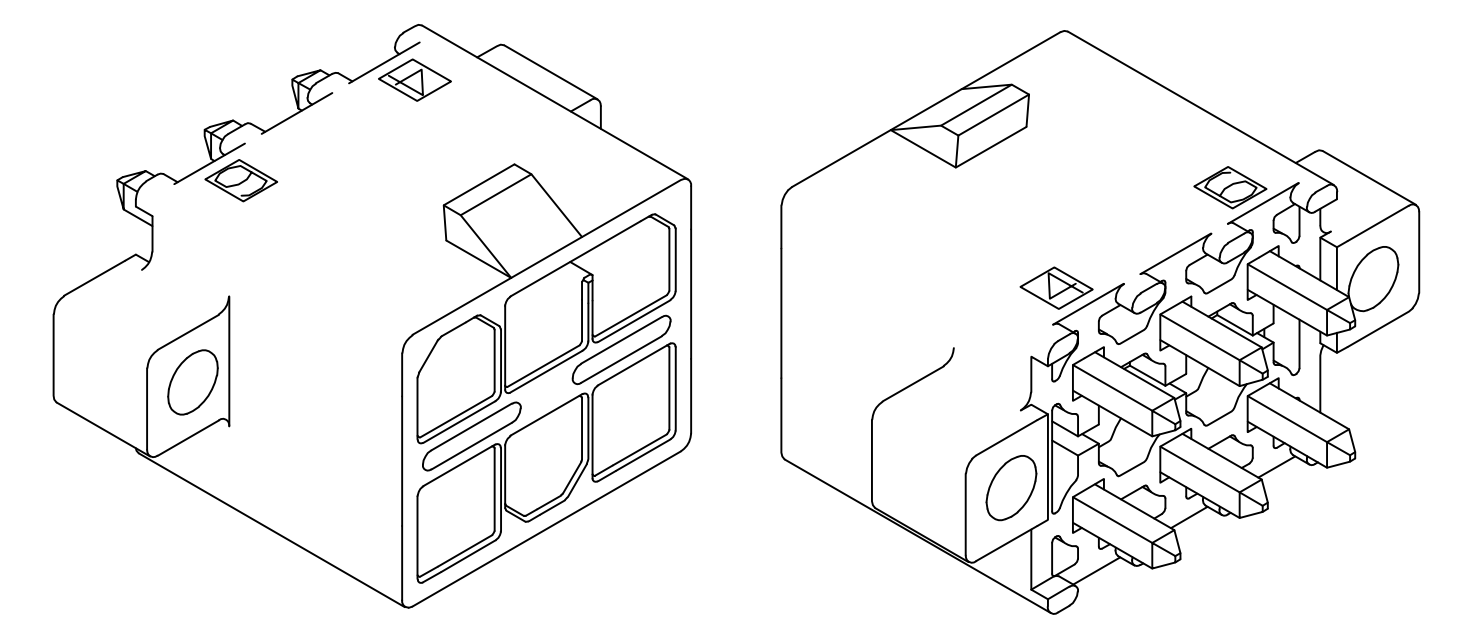


RECOMMENDED MOUNTING HOLE PATTERN FOR 1.78 MAX THICK P.C. BOARD COMPONENT SIDE SHOWN

- ⚠ CONTACT: 0.00076 GOLD AT INTERFACE, 0.00254 MIN TIN-LEAD ON SOLDER TAIL, 0.00127 MIN NICKEL UNDERPLATE ALL OVER.
- 2. MATES WITH AMP-DUAC/PL PLUG RECEPTACLE 794153-1 AND ITS CONTACTS.
- ⚠ CLEARANCE ENVELOPE FOR MATING PLUG RECEPTACLE LATCH.
- ⚠ ALL POSTS STANDARD.
- ⚠ CONTACT GROUND POST LOCATED IN CIRCUIT 3, ASSEMBLY P/N 794396-3.
- ⚠ OBSOLETE PARTS: OBSOLETE CIS STREAMLINING PER D.RENAUD/D.SINISI



SECTION A-A



794396-3 SHOWN

7 SUPERSEDED

MATERIAL	FINISH	MATERIAL	COLOR	PART NO
BRASS	⚠	PBT, UL94V-0	NATURAL(WHITE)	794396-3
BRASS	⚠	PBT, UL94V-0	NATURAL(WHITE)	794396-2

PIN		HOUSING	
THIS DRAWING IS A CONTROLLED DOCUMENT. ESTE PLANO ES UN DOCUMENTO CONTROLADO	DIN /DIBUJO R. VESTAL 6-09-97	Tyco Electronics Corporation Harrisburg, PA 17105-3608	NAME NOMBRE
DIMENSIONS: MEDIDAS, mm	TOLERANCES UNLESS OTHERWISE SPECIFIED: TOLERANCIAS SALVO OTRA INDICACION: 0. PLC /LUG ± 0.2 1. PLC /LUG ± 0.13 2. PLC /LUG ± 0.025 3. PLC /LUG ± 0.025 4. PLC /LUG ± 0.025 ANGLES /ANGULOS ± 0° 30'	APPROVED R. SWING 6-20-97	PRODUCT SPEC ESPEC DE PRODUCTO
SEE TABLE	FINISH ACABADO SEE TABLE	APPLICATION SPEC ESPEC DE APLICACION	RESTRICTED TO RESTRICTO A
MATERIAL		WEIGHT PESO	SCALE ESCALA
SEE TABLE		—	A1 00779 C=794396
CUSTOMER DRAWING/PLANO DE CLIENTE		SCALE ESCALA	SHEET HOJA
		4:1	1 OF 1
			REV C1

