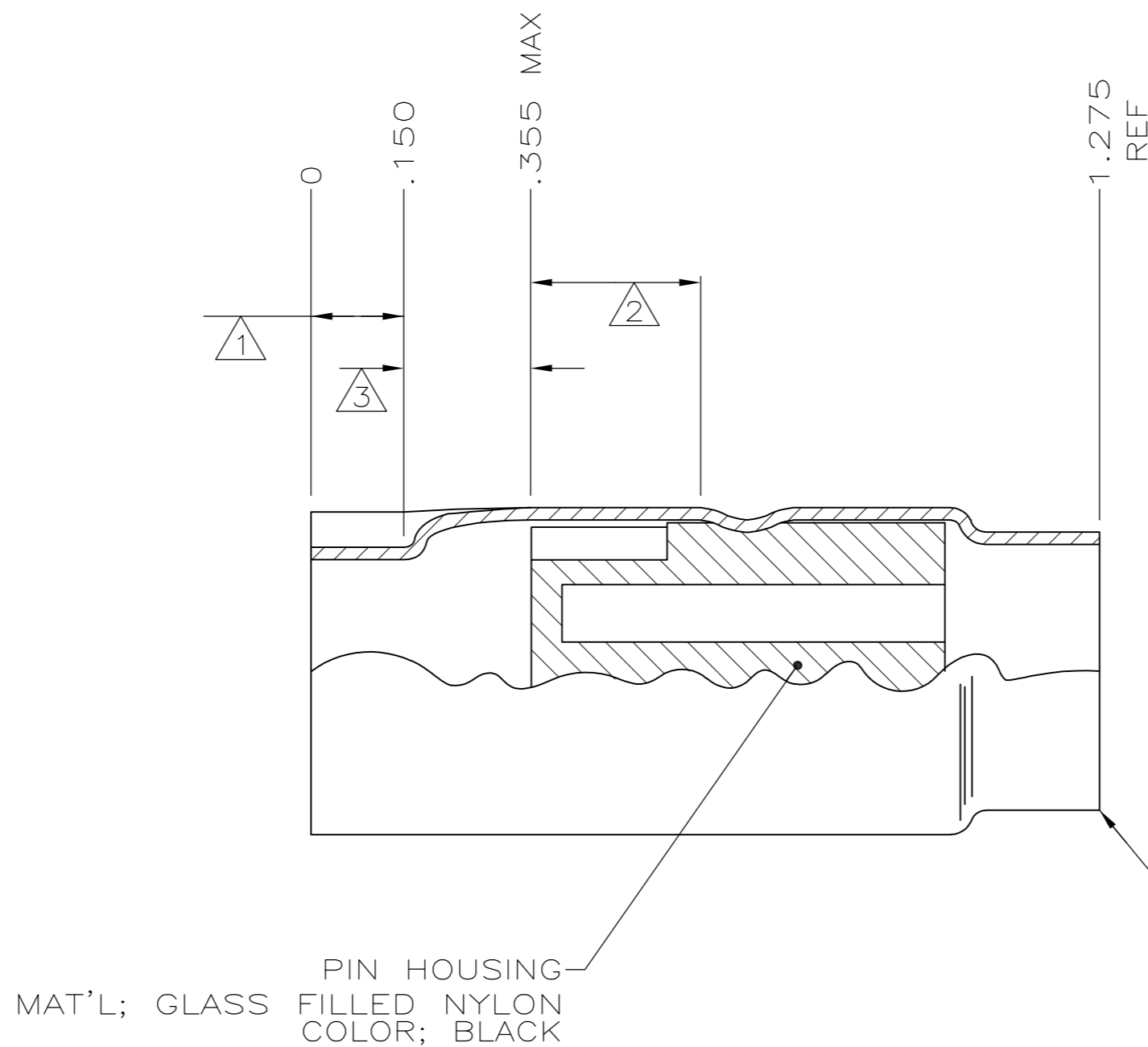
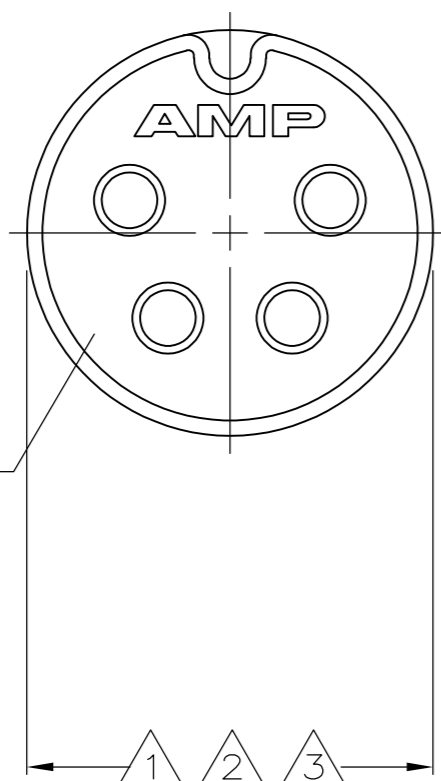


THIS DRAWING IS UNPUBLISHED. RELEASED FOR PUBLICATION
 © COPYRIGHT BY TYCO ELECTRONICS CORPORATION. ALL RIGHTS RESERVED.

LOC	DIST	REVISIONS			
P	LTR	DESCRIPTION	DATE	DWN	APVD
GP	00				
	J	REVISED PER ECO-09-003893	06APR09	CR	CR

4 POSN MATING FACE SHOWN, REF ONLY



- ① SHELL DIAMETER IN THIS AREA TO BE $.529 \pm .005$ MEASURED ANYWHERE EXCEPT OVER KEY.
- ② SHELL DIAMETER IN THIS AREA TO BE $.531 \pm .003$.
- ③ SHELL DIAMETER IN KEY TRANSITION AREA MAY NOT EXCEED $.535$ AT ANY MEASUREMENT POINT.
- ④ TIN-LEAD.
- ⑤ TIN.

PIN HOUSING MAT'L; GLASS FILLED NYLON COLOR; BLACK

SHIELD MAT'L; BRASS FINISH; TIN/PLATE

	⑤	CIRCULAR DIN SUB-ASSEMBLY, 8 POSITION	9-212437-2
	⑤	CIRCULAR DIN SUB-ASSEMBLY, 6 POSITION	9-212437-1
	⑤	CIRCULAR DIN SUB-ASSEMBLY, 5 POSITION	9-212437-0
	⑤	CIRCULAR DIN SUB-ASSEMBLY, 4 POSITION	212437-7
OBSOLETE	④	CIRCULAR DIN SUB-ASSEMBLY, 8 POSITION	212437-6
OBSOLETE	④	CIRCULAR DIN SUB-ASSEMBLY, 7 POSITION	212437-5
OBSOLETE	④	CIRCULAR DIN SUB-ASSEMBLY, 6 POSITION	212437-4
OBSOLETE	④	CIRCULAR DIN SUB-ASSEMBLY, 5 POSITION	212437-3
OBSOLETE	④	CIRCULAR DIN SUB-ASSEMBLY, 4 POSITION	212437-2
OBSOLETE	④	CIRCULAR DIN SUB-ASSEMBLY, 3 POSITION	212437-1
SHIELD FINISH		DESCRIPTION	PART NUMBER

THIS DRAWING IS A CONTROLLED DOCUMENT.		DWN 11-10-05 L. Varela - Dock5	Tyco Electronics Corporation Harrisburg, PA 17105-3608	
DIMENSIONS: INCHES		CHK 11-10-05 C. ROHDE	NAME	
TOLERANCES UNLESS OTHERWISE SPECIFIED:		APVD 11-10-05 M. WALMSLEY	CIRCULAR DIN PLUG, SUB-ASSEMBLY	
0 PLC ± -		PRODUCT SPEC	SIZE	RESTRICTED TO
1 PLC ± -		APPLICATION SPEC	CAGE CODE	
2 PLC ± -		WEIGHT	DRAWING NO	
3 PLC ± .010			RESTRICTED CUSTOMER	
4 PLC ± -		SCALE 1:1	SHEET 1 of 1	REV J
ANGLES ± -				
FINISH				
SEE TABLE				