

LM26001/-Q1 1.5-A Switching Regulator With High-Efficiency Sleep Mode

1 Features

- LM26001-Q1 is an Automotive-Grade Product that is AEC-Q100 Grade 1 Qualified (-40°C to $+125^{\circ}\text{C}$ Operating Junction Temperature)
- High-Efficiency Sleep Mode
- $40\text{-}\mu\text{A}$ Typical I_q in Sleep Mode
- $10\text{-}\mu\text{A}$ Typical I_q in Shutdown Mode
- 3.0-V Minimum Input Voltage
- 4.0-V to 38-V Continuous Input Range
- 1.5% Reference Accuracy
- Cycle-by-Cycle Current Limit
- Adjustable Frequency (150 kHz to 500 kHz)
- Synchronizable to an External Clock
- Power Good Flag
- Forced PWM Function
- Adjustable Soft-Start
- HTSSOP-16 Exposed Pad Package
- Thermal Shut Down

2 Applications

- Automotive Telematics
- Navigation Systems
- In-Dash Instrumentation
- Battery-Powered Applications
- Standby Power for Home Gateways/Set-top Boxes

3 Description

The LM26001 is a switching regulator designed for the high-efficiency requirements of applications with standby modes. The device features a low-current sleep mode to maintain efficiency under light-load conditions and current-mode control for accurate regulation over a wide input voltage range. Quiescent current is reduced to $10\text{ }\mu\text{A}$ typically in shutdown mode and less than $40\text{ }\mu\text{A}$ in sleep mode. Forced PWM mode is also available to disable sleep mode.

The LM26001 can deliver up to 1.5 A of continuous load current with a fixed current limit, through the internal N-channel switch. The part has a wide input voltage range of 4.0 V to 38 V and can operate with input voltages as low as 3 V during line transients.

Operating frequency is adjustable from 150 kHz to 500 kHz with a single resistor and can be synchronized to an external clock.

Other features include Power Good, adjustable soft-start, enable pin, input undervoltage protection, and an internal bootstrap diode for reduced component count.

Device Information⁽¹⁾

| PART NUMBER | PACKAGE | BODY SIZE (NOM) |
|-------------|-------------|-------------------|
| LM26001 | HTSSOP (16) | 5.00 mm x 4.40 mm |
| LM26001-Q1 | | |

(1) For all available packages, see the orderable addendum at the end of the datasheet.

Typical Application Circuit

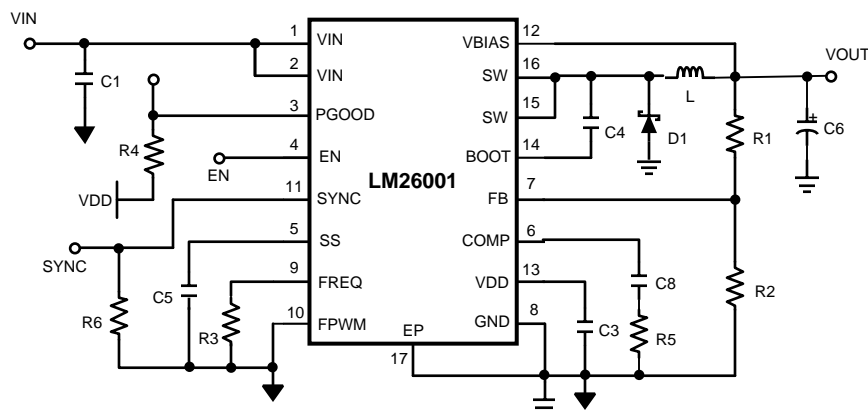


Table of Contents

| | | | |
|--|-----------|--|-----------|
| 1 Features | 1 | 7.4 Device Functional Modes | 16 |
| 2 Applications | 1 | 8 Applications and Implementation | 17 |
| 3 Description | 1 | 8.1 Application Information | 17 |
| 4 Revision History | 2 | 8.2 Typical Application | 17 |
| 5 Pin Configuration and Functions | 3 | 9 Power Supply Recommendations | 23 |
| 6 Specifications | 4 | 10 Layout | 23 |
| 6.1 Absolute Maximum Ratings | 4 | 10.1 Layout Guidelines | 23 |
| 6.2 ESD Ratings - LM26001 | 4 | 10.2 Layout Example | 24 |
| 6.3 ESD Ratings - LM26001-Q1 | 4 | 10.3 Thermal Considerations and TSD | 24 |
| 6.4 Recommended Operating Conditions | 5 | 11 Device and Documentation Support | 25 |
| 6.5 Thermal Information | 5 | 11.1 Documentation Support | 25 |
| 6.6 Electrical Characteristics | 5 | 11.2 Related Links | 25 |
| 6.7 Typical Characteristics | 8 | 11.3 Trademarks | 25 |
| 7 Detailed Description | 11 | 11.4 Electrostatic Discharge Caution | 25 |
| 7.1 Overview | 11 | 11.5 Glossary | 25 |
| 7.2 Functional Block Diagram | 11 | 12 Mechanical, Packaging, and Orderable Information | 25 |
| 7.3 Feature Description | 12 | | |

4 Revision History

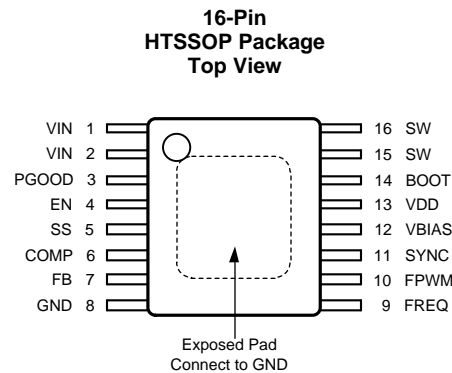
NOTE: Page numbers for previous revisions may differ from page numbers in the current version.

| Changes from Revision H (November 2014) to Revision I | Page |
|---|-------------|
| • Update made to the Power Dissipation description in Section 6.1 | 4 |
| • Changed ESD Ratings to \pm and moved storage temp to Absolute Maximum Ratings | 4 |

| Changes from Revision G (April 2013) to Revision H | Page |
|--|-------------|
| • Added <i>Pin Configuration and Functions</i> section, <i>Handling Rating</i> table, <i>Feature Description</i> section, <i>Device Functional Modes</i> , <i>Application and Implementation</i> section, <i>Power Supply Recommendations</i> section, <i>Layout</i> section, <i>Device and Documentation Support</i> section, and <i>Mechanical, Packaging, and Orderable Information</i> section | 1 |

| Changes from Revision F (April 2013) to Revision G | Page |
|--|-------------|
| • Changed layout of National Data Sheet to TI format | 24 |

5 Pin Configuration and Functions



Pin Functions

| PIN | | I/O | DESCRIPTION |
|-----|-------|-----|--|
| NO. | NAME | | |
| 1 | VIN | A | Power supply input |
| 2 | VIN | A | Power supply input |
| 3 | PGOOD | O | Power Good pin. An open-drain output which goes high when the output voltage is greater than 92% of nominal. |
| 4 | EN | I | Enable is an analog level input pin. When pulled below 0.8 V, the device enters shutdown mode. |
| 5 | SS | A | Soft-start pin. Connect a capacitor from this pin to GND to set the soft-start time. |
| 6 | COMP | A | Compensation pin. Connect to a resistor capacitor pair to compensate the control loop. |
| 7 | FB | A | Feedback pin. Connect to a resistor divider between Vout and GND to set output voltage. |
| 8 | GND | G | Ground |
| 9 | FREQ | A | Frequency adjust pin. Connect a resistor from this pin to GND to set the operating frequency. |
| 10 | FPWM | I | FPWM is a logic level input pin. For normal operation, connect to GND. When pulled high, sleep mode operation is disabled. |
| 11 | SYNC | I | Frequency synchronization pin. Connect to an external clock signal for synchronized operation. SYNC must be pulled low for non-synchronized operation. |
| 12 | VBIAS | A | Connect to an external 3-V or greater supply to bypass the internal regulator for improved efficiency. If not used, VBIAS should be tied to GND. |
| 13 | VDD | A | The output of the internal regulator. Bypass with a minimum 1.0- μ F capacitor. |
| 14 | BOOT | A | Bootstrap capacitor pin. Connect a 0.1- μ F minimum ceramic capacitor from this pin to SW to generate the gate drive bootstrap voltage. |
| 15 | SW | A | Switch pin. The source of the internal N-channel switch. |
| 16 | SW | A | Switch pin. The source of the internal N-channel switch. |
| EP | EP | G | Exposed Pad thermal connection. Connect to GND. |

6 Specifications

6.1 Absolute Maximum Ratings⁽¹⁾⁽²⁾

| | | MIN | MAX | UNIT | |
|---|-------------------------------------|--------|------|------|----|
| Voltages from the indicated pins to GND | VIN | -0.3 | 40 | V | |
| | SW ⁽³⁾ | -0.5 | 40 | V | |
| | VDD | -0.3 | 7 | V | |
| | VBIAS | -0.3 | 10 | V | |
| | FB | -0.3 | 6 | V | |
| | BOOT | SW-0.3 | SW+7 | V | |
| | PGOOD | -0.3 | 7 | V | |
| | FREQ | -0.3 | 7 | V | |
| | SYNC | -0.3 | 7 | V | |
| | EN | -0.3 | 40 | V | |
| | FPWM | -0.3 | y7 | V | |
| | SS | -0.3 | 7 | V | |
| | Power Dissipation ⁽⁴⁾⁽⁵⁾ | | | 2.6 | W |
| Recommended Lead Temperature | Vapor Phase (70s) | | | 215 | °C |
| | Infrared (15s) | | | 220 | °C |
| Storage temperature | T _{stg} | -65 | 150 | °C | |

- (1) Absolute Maximum Ratings indicate limits beyond which damage to the device may occur. [Recommended Operating Conditions](#) indicate conditions for which the device is intended to be functional, but do not ensure specific performance limits. For ensured specifications and test conditions, see the [Electrical Characteristics](#).
- (2) If Military/Aerospace specified devices are required, please contact the Texas Instruments Sales Office/Distributors for availability and specifications.
- (3) The absolute maximum specification applies to DC voltage. An extended negative voltage limit of -2V applies for a pulse of up to 1 μs, and -1 V for a pulse of up to 20 μs.
- (4) The maximum allowable power dissipation is a function of the maximum junction temperature, T_{J_MAX}, the junction-to-ambient thermal resistance, θ_{JA}, and the ambient temperature, T_A. The maximum allowable power dissipation at any ambient temperature is calculated using: PD_{MAX} = (T_{J_MAX} - T_A) / θ_{JA}. The maximum power dissipation of 2.6W is determined using T_A = 25°C, θ_{JA} = 38°C/W, and T_{J_MAX} = 125°C. The number stated here reflects the maximum power dissipation for the package and not the device.
- (5) For Device Power Dissipation, please refer to section 10.3.

6.2 ESD Ratings - LM26001

| | | | VALUE | UNIT |
|--------------------|-------------------------|--|-------|------|
| V _(ESD) | Electrostatic discharge | Human body model (HBM), per ANSI/ESDA/JEDEC JS-001, all pins ⁽¹⁾ | ± 2 | kV |
| | | Charged device model (CDM), per JEDEC specification JESD22-C101, all pins ⁽²⁾ | ± 1 | |
| | | Machine model | ± 200 | V |

- (1) JEDEC document JEP155 states that 500-V HBM allows safe manufacturing with a standard ESD control process.
- (2) JEDEC document JEP157 states that 250-V CDM allows safe manufacturing with a standard ESD control process.

6.3 ESD Ratings - LM26001-Q1

| | | | | VALUE | UNIT |
|--------------------|-------------------------|---|-------------------------------|-------|------|
| V _(ESD) | Electrostatic discharge | Human body model (HBM), per AEC Q100-002 ⁽¹⁾ | | ± 2 | kV |
| | | Charged device model (CDM), per AEC Q100-011 | Corner pins (1, 8, 9, and 16) | ± 1 | |
| | | | Other pins | ± 1 | |
| | | Machine model | | ± 200 | V |

- (1) AEC Q100-002 indicates HBM stressing is done in accordance with the ANSI/ESDA/JEDEC JS-001 specification.

6.4 Recommended Operating Conditions

over operating free-air temperature range (unless otherwise noted)

| | MIN | MAX | UNIT |
|-------------------------------|-----|-----|------|
| Operating Junction Temp. | -40 | 125 | °C |
| Supply Voltage ⁽¹⁾ | 3.0 | 38 | V |

(1) Below 4.0-V input, power dissipation may increase due to increased $R_{DS(ON)}$. Therefore, a minimum input voltage of 4.0 V is required to operate continuously within specification. A minimum of 3.9 V (typical) is also required for startup.

6.5 Thermal Information

| THERMAL METRIC ⁽¹⁾ | | LM26001 | UNIT |
|-------------------------------|--|---------|------|
| | | PWP | |
| | | 16 PINS | |
| $R_{\theta JA}$ | Junction-to-ambient thermal resistance | 38.8 | °C/W |
| $R_{\theta JC(top)}$ | Junction-to-case (top) thermal resistance | 23.0 | |
| $R_{\theta JB}$ | Junction-to-board thermal resistance | 16.7 | |
| Ψ_{JT} | Junction-to-top characterization parameter | 0.6 | |
| Ψ_{JB} | Junction-to-board characterization parameter | 16.4 | |
| $R_{\theta JC(bot)}$ | Junction-to-case (bottom) thermal resistance | 1.7 | |

(1) For more information about traditional and new thermal metrics, see the *IC Package Thermal Metrics* application report, [SPRA953](#).

6.6 Electrical Characteristics

Unless otherwise stated, $V_{in}=12$ V. Minimum and Maximum limits are ensured through test, design, or statistical correlation. Typical values represent the most likely parametric norm at $T_J = 25^\circ\text{C}$, and are provided for reference purposes only.⁽¹⁾

| | PARAMETER | TEST CONDITIONS | MIN | TYP | MAX | UNIT |
|---------------------------------|----------------------|--|--------|-------|--------|------|
| SYSTEM | | | | | | |
| $I_{SD}^{(2)}$ | Shutdown Current | EN = 0 V | | 10.8 | | μA |
| | | EN = 0 V, $-40^\circ\text{C} \leq T_J \leq 125^\circ\text{C}$ | | | 20 | |
| $I_{q_Sleep_VB}^{(2)}$ | Quiescent Current | Sleep mode, VBIAS = 5 V | | 38 | | μA |
| | | Sleep mode, VBIAS = 5 V, $-40^\circ\text{C} \leq T_J \leq 125^\circ\text{C}$ | | | 70 | |
| $I_{q_Sleep_VDD}$ | Quiescent Current | Sleep mode, VBIAS = GND | | 75 | | μA |
| | | Sleep mode, VBIAS = GND, $-40^\circ\text{C} \leq T_J \leq 125^\circ\text{C}$ | | | 125 | |
| $I_{q_PWM_VB}$ | Quiescent Current | PWM mode, VBIAS = 5 V | | 150 | 230 | μA |
| $I_{q_PWM_VDD}$ | Quiescent Current | PWM mode, VBIAS = GND | | 0.65 | 0.85 | mA |
| $I_{BIAS_Sleep}^{(2)}$ | Bias Current | Sleep mode, VBIAS = 5 V | | 33 | | μA |
| | | Sleep mode, VBIAS = 5 V, $-40^\circ\text{C} \leq T_J \leq 125^\circ\text{C}$ | | | 85 | |
| I_{BIAS_PWM} | Bias Current | PWM mode, VBIAS = 5 V | | 0.5 | 0.70 | mA |
| V_{FB} | Feedback Voltage | $5\text{ V} < V_{in} < 38\text{ V}$ | | 1.234 | | V |
| | | $5\text{ V} < V_{in} < 38\text{ V}$, $-40^\circ\text{C} \leq T_J \leq 125^\circ\text{C}$ | 1.2155 | | 1.2525 | |
| I_{FB} | FB Bias Current | | | | ±200 | nA |
| $\Delta V_{OUT}/\Delta V_{IN}$ | Vout line regulation | $5\text{ V} < V_{in} < 38\text{ V}$ | | 0.001 | | %/V |
| $\Delta V_{OUT}/\Delta I_{OUT}$ | Vout load regulation | $0.8\text{ V} < V_{COMP} < 1.15\text{ V}$ | | 0.07% | | |
| VDD | VDD output voltage | $7\text{ V} < V_{in} < 35\text{ V}$, $I_{VDD} = 0\text{ mA to }5\text{ mA}$ | | 5.95 | | V |
| | | $7\text{ V} < V_{in} < 35\text{ V}$, $I_{VDD} = 0\text{ mA to }5\text{ mA}$, $-40^\circ\text{C} \leq T_J \leq 125^\circ\text{C}$ | 5.50 | | 6.50 | |

(1) All room temperature limits are 100% production tested. All limits at temperature extremes are ensured through correlation using standard Statistical Quality Control (SQC) methods. All limits are used to calculate Average Outgoing Quality Level (AOQL).

(2) I_q and I_{SD} specify the current into the VIN pin. I_{BIAS} is the current into the VBIAS pin when the VBIAS voltage is greater than 3 V. All quiescent current specifications apply to non-switching operation.

Electrical Characteristics (continued)

Unless otherwise stated, $V_{in}=12\text{ V}$. Minimum and Maximum limits are ensured through test, design, or statistical correlation. Typical values represent the most likely parametric norm at $T_J = 25^\circ\text{C}$, and are provided for reference purposes only.⁽¹⁾

| | PARAMETER | TEST CONDITIONS | MIN | TYP | MAX | UNIT |
|-------------------|--|--|------|--------|------------|---------------|
| I_{SS_Source} | Soft-start source current | | | 2.2 | | μA |
| | | $-40^\circ\text{C} \leq T_J \leq 125^\circ\text{C}$ | 1.5 | | 4.6 | |
| V_{bias_th} | VBIAS On Voltage | Specified at $I_{BIAS} = 92.5\%$ of full value | 2.64 | 2.9 | 3.07 | V |
| SWITCHING | | | | | | |
| $R_{DS(ON)}$ | Switch on Resistance | $I_{sw} = 1\text{ A}$ | | 0.2 | | Ω |
| | | $I_{sw} = 1\text{ A}, -40^\circ\text{C} \leq T_J \leq 125^\circ\text{C}$ | 0.12 | | 0.42 | |
| I_{sw_off} | Switch off state leakage current | $V_{in} = 38\text{ V}, V_{SW} = 0\text{ V}$ | | 0.002 | | μA |
| | | $V_{in} = 38\text{ V}, V_{SW} = 0\text{ V}, -40^\circ\text{C} \leq T_J \leq 125^\circ\text{C}$ | | | 5.0 | |
| f_{sw} | Switching Frequency | RFREQ = 62k, 124k, 240k | | | $\pm 10\%$ | |
| V_{FREQ} | FREQ voltage | | | 1.0 | | V |
| f_{SW_range} | Switching Frequency range | $-40^\circ\text{C} \leq T_J \leq 125^\circ\text{C}$ | 150 | | 500 | kHz |
| V_{SYNC} | Sync pin threshold | SYNC rising | | 1.2 | | V |
| | | SYNC rising, $-40^\circ\text{C} \leq T_J \leq 125^\circ\text{C}$ | | | 1.6 | |
| | | SYNC falling | | 1.1 | | |
| | | SYNC falling, $-40^\circ\text{C} \leq T_J \leq 125^\circ\text{C}$ | 0.8 | | | |
| | Sync pin hysteresis | | | 114 | | mV |
| I_{SYNC} | SYNC leakage current | | | 6 | | nA |
| F_{SYNC_UP} | Upper frequency synchronization range | As compared to nominal f_{SW} , $-40^\circ\text{C} \leq T_J \leq 125^\circ\text{C}$ | | | 30% | |
| F_{SYNC_DN} | Lower frequency synchronization range | As compared to nominal f_{SW} , $-40^\circ\text{C} \leq T_J \leq 125^\circ\text{C}$ | | | -20% | |
| T_{OFFMIN} | Minimum Off-time | | | 365 | | ns |
| T_{ONMIN} | Minimum On-time | | | 155 | | ns |
| TH_{SLEEP_HYS} | Sleep mode threshold hysteresis | VFB rising, % of TH_{WAKE} | | 101.2% | | |
| TH_{WAKE} | Wake up threshold | Measured at falling FB, COMP = 0.6 V | | 1.234 | | V |
| I_{BOOT} | BOOT pin leakage current | BOOT = 16 V, SW = 10 V | | 0.0006 | | μA |
| | | BOOT = 16 V, SW = 10 V, $-40^\circ\text{C} \leq T_J \leq 125^\circ\text{C}$ | | | 5.0 | |
| PROTECTION | | | | | | |
| I_{LIMPK} | Peak Current Limit | | | 2.5 | | A |
| | | $-40^\circ\text{C} \leq T_J \leq 125^\circ\text{C}$ | 1.85 | | 3.2 | |
| V_{FB_SC} | Short circuit frequency foldback threshold | Measured at FB falling | | 0.87 | | V |
| F_{min_sc} | Min Frequency in foldback | VFB < 0.3 V | | 71 | | kHz |
| V_{TH_PGOOD} | Power Good Threshold | Measured at FB, PGOOD rising | | 92% | | |
| | | Measured at FB, PGOOD rising, $-40^\circ\text{C} \leq T_J \leq 125^\circ\text{C}$ | 89% | | 95% | |
| | PGOOD hysteresis | | 2% | 7% | 8% | |
| I_{PGOOD_HI} | PGOOD leakage current | PGOOD = 5 V | | 0.2 | | nA |
| R_{DS_PGOOD} | PGOOD on resistance | PGOOD sink current = 500 μA | | 64 | | Ω |

Electrical Characteristics (continued)

Unless otherwise stated, $V_{in}=12\text{ V}$. Minimum and Maximum limits are ensured through test, design, or statistical correlation. Typical values represent the most likely parametric norm at $T_J = 25^\circ\text{C}$, and are provided for reference purposes only.⁽¹⁾

| | PARAMETER | TEST CONDITIONS | MIN | TYP | MAX | UNIT |
|------------------|----------------------------------|---|------|-----|------|---------------------------|
| V_{UVLO} | Under-voltage Lock-Out Threshold | Vin falling , shutdown, VDD = VIN | | 2.9 | | V |
| | | Vin falling , shutdown, VDD = VIN, $-40^\circ\text{C} \leq T_J \leq 125^\circ\text{C}$ | 2.60 | | 3.20 | |
| | | Vin rising, soft-start, VDD = VIN | | 3.9 | | |
| | | Vin rising, soft-start, VDD = VIN, $-40^\circ\text{C} \leq T_J \leq 125^\circ\text{C}$ | 3.60 | | 4.20 | |
| TSD | Thermal Shutdown Threshold | | 160 | | | $^\circ\text{C}$ |
| θ_{JA} | Thermal resistance | Power dissipation = 1W, 0 lfpm air flow | | 38 | | $^\circ\text{C}/\text{W}$ |
| LOGIC | | | | | | |
| V_{thEN} | Enable Threshold voltage | | | 1.2 | | V |
| | | $-40^\circ\text{C} \leq T_J \leq 125^\circ\text{C}$ | 0.8 | | 1.4 | |
| | Enable hysteresis | | | 120 | | mV |
| I_{EN_Source} | EN source current | EN = 0 V | | 4.5 | | μA |
| V_{TH_FPWM} | FPWM threshold | | | 1.2 | | V |
| | | $-40^\circ\text{C} \leq T_J \leq 125^\circ\text{C}$ | 0.8 | | 1.6 | |
| I_{FPWM} | FPWM leakage current | FPWM = 5 V | | 35 | | nA |
| EA | | | | | | |
| gm | Error amp trans-conductance | | | 670 | | μmho |
| | | $-40^\circ\text{C} \leq T_J \leq 125^\circ\text{C}$ | 400 | | 1000 | |
| I_{COMP} | COMP source current | VCOMP = 0.9 V | | 56 | | μA |
| | COMP sink current | VCOMP = 0.9 V | | 56 | | μA |
| V_{COMP} | COMP pin voltage range | | 0.64 | | 1.27 | V |

6.7 Typical Characteristics

Unless otherwise specified the following conditions apply: $V_{IN} = 12\text{ V}$, $T_J = 25^\circ\text{C}$.

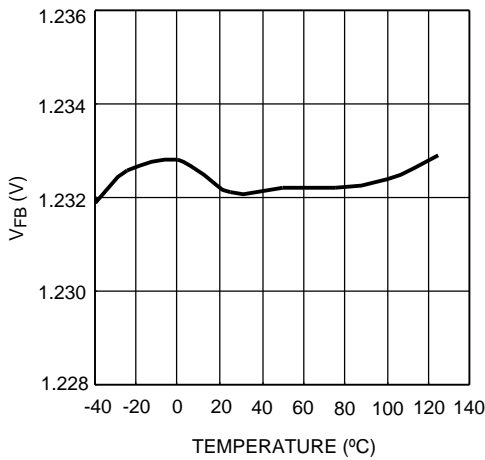


Figure 1. VFB vs Temperature

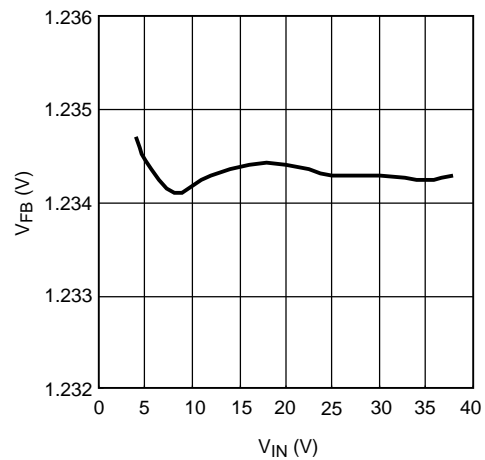


Figure 2. VFB vs V_{IN} ($I_{DC} = 300\text{ mA}$)

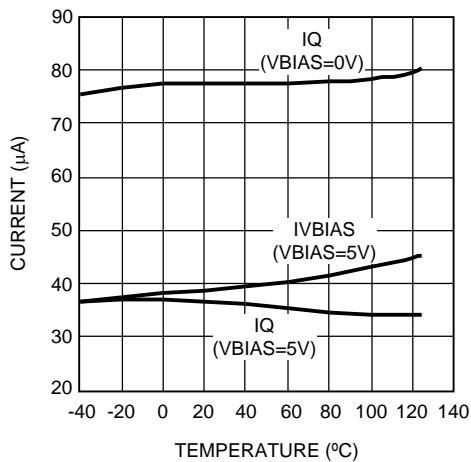


Figure 3. I_Q and I_{VBIAS} vs Temperature (Sleep Mode)

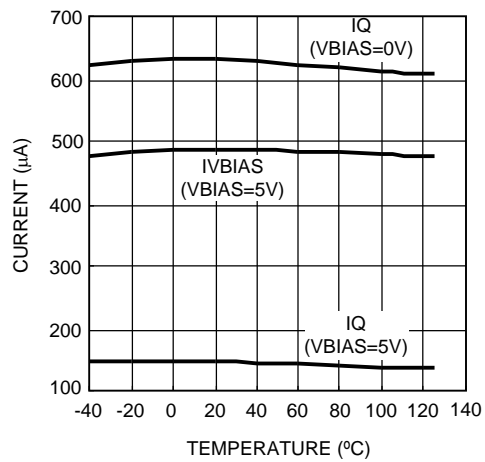


Figure 4. I_Q and I_{VBIAS} vs Temperature (PWM Mode)

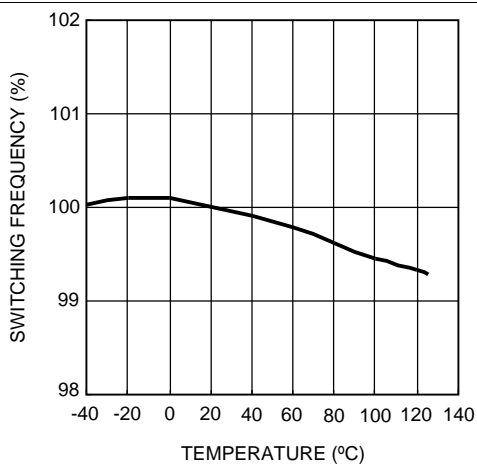


Figure 5. Normalized Switching Frequency vs Temperature (300 kHz)

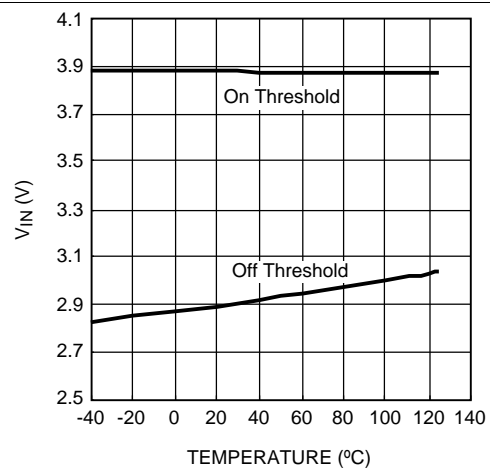


Figure 6. UVLO Threshold vs Temperature ($V_{DD} = V_{IN}$)

Typical Characteristics (continued)

Unless otherwise specified the following conditions apply: $V_{IN} = 12\text{ V}$, $T_J = 25^\circ\text{C}$.

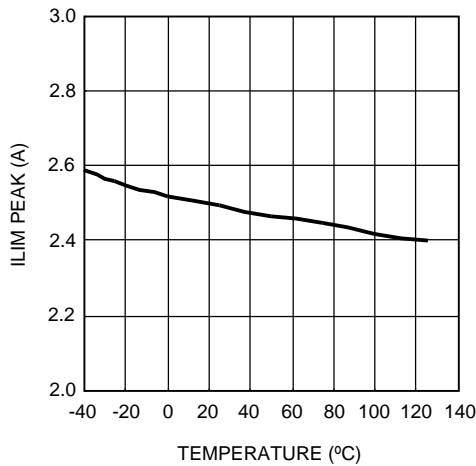


Figure 7. Peak Current Limit vs Temperature

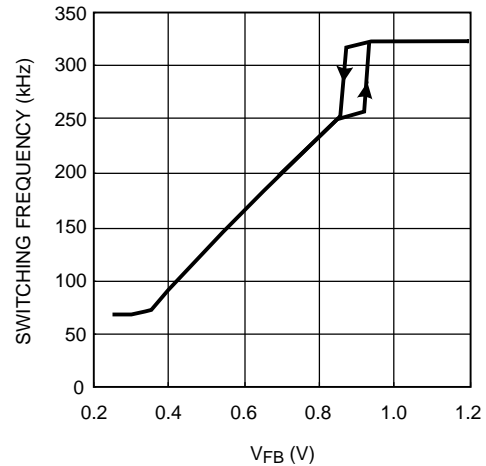


Figure 8. Short Circuit Foldback Frequency vs V_{FB} (325 kHz Nominal)

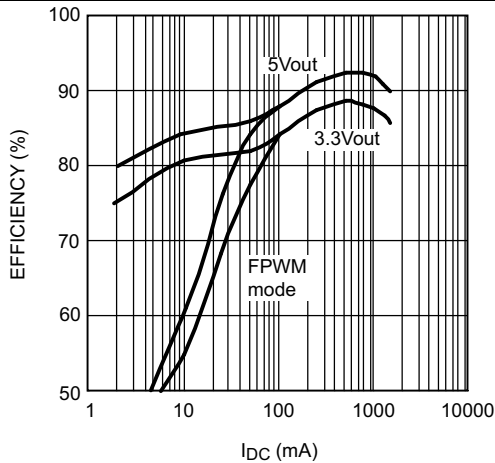


Figure 9. Efficiency vs Load Current (330 kHz)

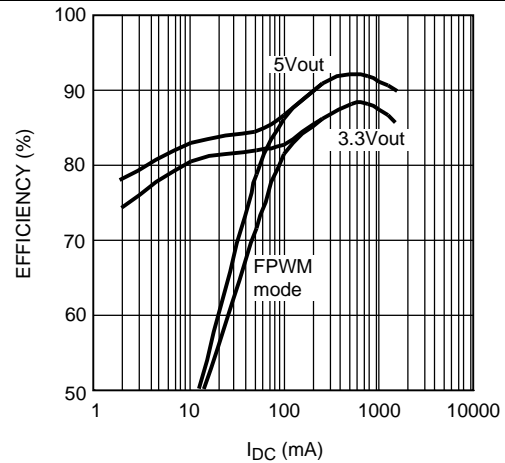


Figure 10. Efficiency vs Load Current (500 kHz)

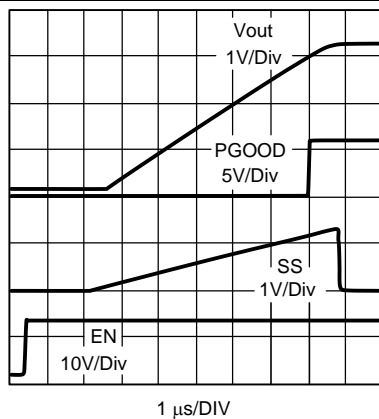


Figure 11. Startup Waveforms

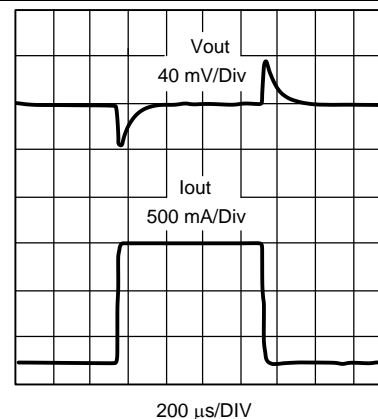
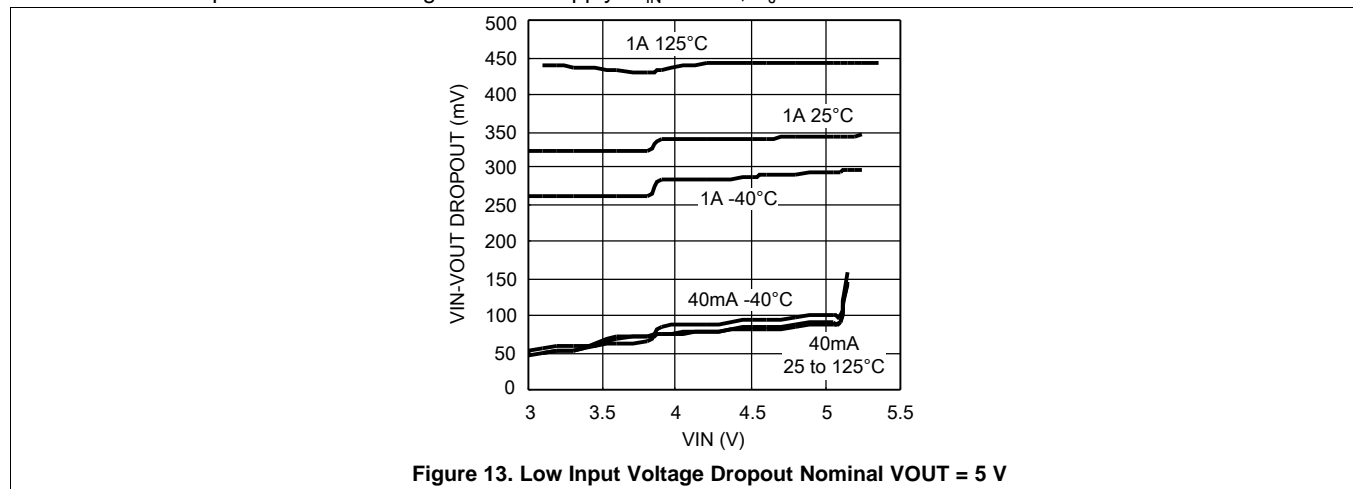


Figure 12. Load Transient Response

Typical Characteristics (continued)

Unless otherwise specified the following conditions apply: $V_{IN} = 12\text{ V}$, $T_J = 25^\circ\text{C}$.



7 Detailed Description

7.1 Overview

The LM26001 is a current mode PWM buck regulator. At the beginning of each clock cycle, the internal high-side switch turns on, allowing current to ramp up in the inductor. The inductor current is internally monitored during each switching cycle. A control signal derived from the inductor current is compared to the voltage control signal at the COMP pin, derived from the feedback voltage. When the inductor current reaches the threshold, the high-side switch is turned off and inductor current ramps down. While the switch is off, inductor current is supplied through the catch diode. This cycle repeats at the next clock cycle. In this way, duty cycle and output voltage are controlled by regulating inductor current. Current mode control provides superior line and load regulation. Other benefits include cycle by cycle current limiting and a simplified compensation scheme. Typical PWM waveforms are shown in Figure 14.

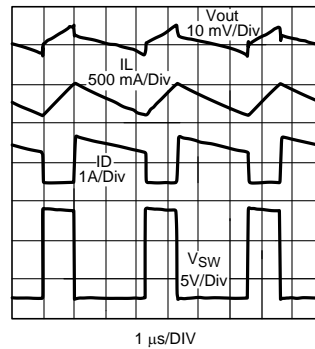
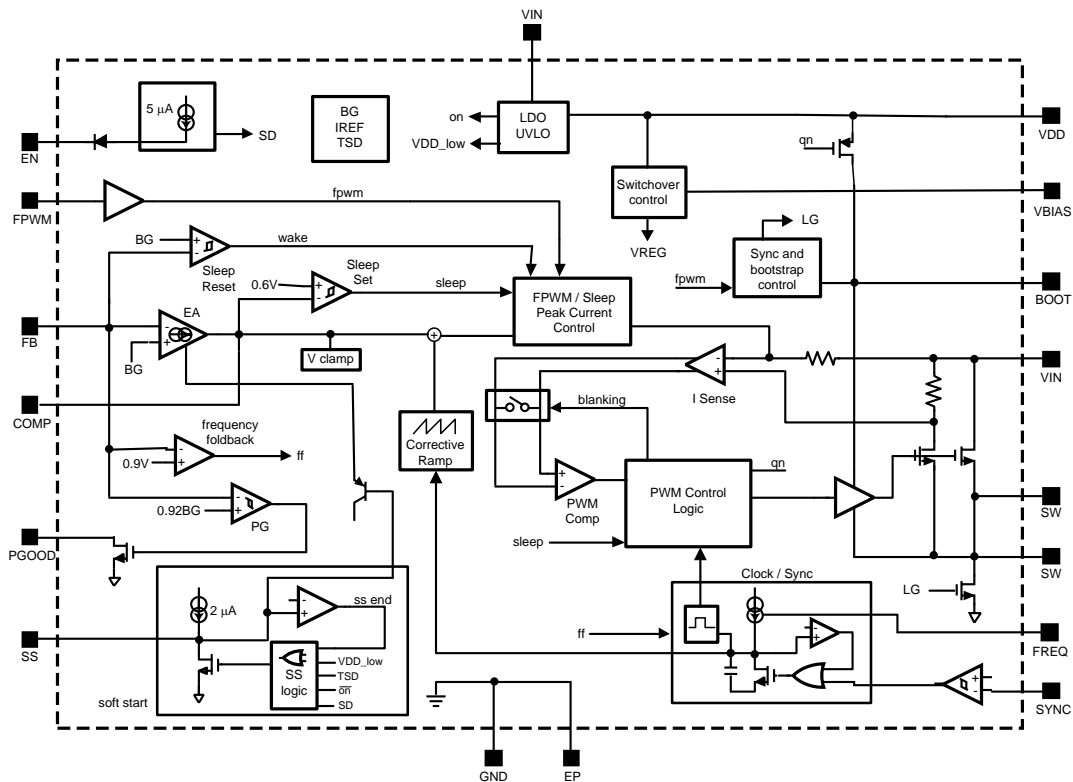


Figure 14. PWM Waveforms 1-A Load, Vin = 12 V

7.2 Functional Block Diagram



7.3 Feature Description

7.3.1 Sleep Mode

In light load conditions, the LM26001 automatically switches into sleep mode for improved efficiency. As loading decreases, the voltage at FB increases and the COMP voltage decreases. When the COMP voltage reaches the 0.6-V (typical) clamp threshold, and the FB voltage rises 1% above nominal, sleep mode is enabled and switching stops. The regulator remains in sleep mode until the FB voltage falls to the reset threshold, at which point switching resumes. This 1% FB window limits the corresponding output ripple to approximately 1% of nominal output voltage. The sleep cycle will repeat until load current is increased. Figure 15 shows typical switching and output voltage waveforms in sleep mode.

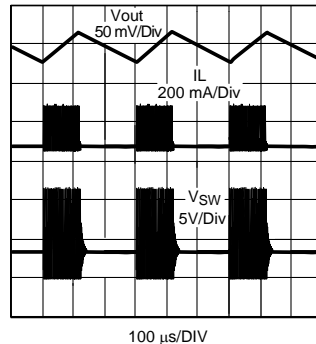


Figure 15. Sleep Mode Waveforms 25-mA Load, Vin = 12 V

In sleep mode, quiescent current is reduced to less than 40 μA when not switching. The DC sleep mode threshold can be calculated according to the equation below:

$$I_{\text{Sleep}} = \left[I_{\text{min}} + 0.13 \mu \left[\frac{V_{\text{in}} - V_{\text{out}}}{L} \right]^2 \right] \times \left[\frac{f_{\text{sw}} \times L}{D \times 2 \times (V_{\text{in}} - V_{\text{out}})} \right] \quad (1)$$

Where $I_{\text{min}} = I_{\text{lim}}/16$ (2.5A/16 typically) and $D = \text{duty cycle}$, defined as $(V_{\text{out}} + V_{\text{diode}})/V_{\text{in}}$.

When load current increases above this limit, the LM26001 is forced back into normal PWM operation. The sleep mode threshold varies with frequency, inductance, and duty cycle as shown in Figure 16.

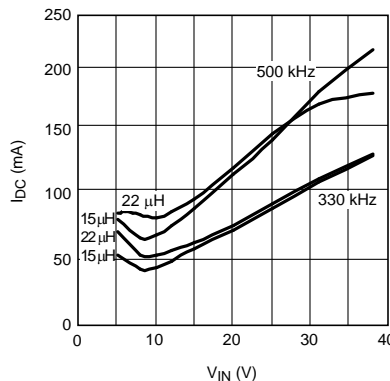


Figure 16. Sleep Mode Threshold vs Vin Vout = 3.3 V

Below the sleep threshold, decreasing load current results in longer sleep cycles, which can be quantified as shown below:

$$D_{\text{wake}} = I_{\text{load}}/I_{\text{sleep}} \quad (2)$$

Where D_{wake} is the percentage of time awake when the load current is below the sleep threshold.

Sleep mode combined with low IQ operation minimizes the input supply current. Input supply current in sleep mode can be calculated based on the wake duty cycle, as shown below:

Feature Description (continued)

$$I_{in} = I_q + (I_{QG} \times D_{wake}) + (I_o \times D) \quad (3)$$

Where I_{QG} is the gate drive current, calculated as:

$$I_{QG} = (4.6 \times 10^{-9}) \times f_{SW}$$

And I_o is the sum of I_{load} , I_{bias} , and current through the feedback resistors.

Because this calculation applies only to sleep mode, use the $I_{q_Sleep_VB}$ and I_{BIAS_SLEEP} values from the [Electrical Characteristics](#). If VBIAS is connected to ground, use the same equation with I_{bias} equal to zero and $I_{q_Sleep_VDD}$.

7.3.2 FPWM

Pulling the FPWM pin high disables sleep mode and forces the LM26001 to always operate in PWM mode. Light load efficiency is reduced in PWM mode, but switching frequency remains stable. The FPWM pin can be connected to the VDD pin to pull it high. In FPWM mode, under light load conditions, the regulator operates in discontinuous conduction mode (DCM). In discontinuous conduction mode, current through the inductor starts at zero and ramps up to its peak, then ramps down to zero again. Until the next cycle, the inductor current remains at zero. At nominal load currents, in FPWM mode, the device operates in continuous conduction mode, where positive current always flows in the inductor. Typical discontinuous operation waveforms are shown in [Figure 17](#).

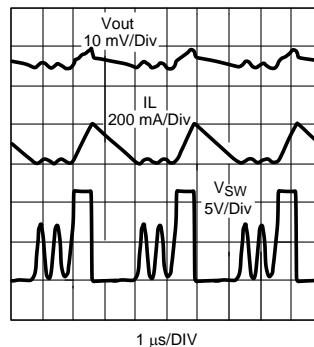


Figure 17. Discontinuous Mode Waveforms 75-mA Load, $V_{in} = 12\text{ V}$

At very light load, in FPWM mode, the LM26001 may enter sleep mode. This is to prevent an over-voltage condition from occurring. However, the FPWM sleep threshold is much lower than in normal operation.

7.3.3 Enable

The LM26001 provides a shutdown function via the EN pin to disable the device when the output voltage does not need to be maintained. EN is an analog level input with typically 120 mV of hysteresis. The device is active when the EN pin is above 1.2 V (typical) and in shutdown mode when EN is below this threshold. When EN goes high, the internal VDD regulator turns on and charges the VDD capacitor. When VDD reaches 3.9 V (typical), the soft-start pin begins to source current. In shutdown mode, the VDD regulator shuts down and total quiescent current is reduced to 10 μA (typical). Because the EN pin sources 4.5 μA (typical) of pull-up current, this pin can be left open for always-on operation. When open, EN will be pulled up to V_{IN} .

If EN is connected to V_{IN} , it must be connected through a 10 k Ω resistor to limit noise spikes. EN can also be driven externally with a maximum voltage of 38V or $V_{IN} + 15\text{V}$, whichever is lower.

7.3.4 Soft-Start

The soft-start feature provides a controlled output voltage ramp up at startup. This reduces inrush current and eliminates output overshoot at turn-on. The soft-start pin, SS, must be connected to GND through a capacitor. At power-on, enable, or UVLO recovery, an internal 2.2 μA (typical) current charges the soft-start capacitor. During soft-start, the error amplifier output voltage is controlled by both the soft-start voltage and the feedback loop. As the SS pin voltage ramps up, the duty cycle increases proportional to the soft-start ramp, causing the output voltage to ramp up. The rate at which the duty cycle increases depends on the capacitance of the soft-start capacitor. The higher the capacitance, the slower the output voltage ramps up. The soft-start capacitor value can be calculated with the following equation:

Feature Description (continued)

$$C_{SS} = \frac{I_{SS} \times t_{SS}}{1.234V} \quad (4)$$

Where t_{SS} is the desired soft-start time and I_{SS} is the soft-start source current. During soft-start, current limit and synchronization remain in effect, while sleep mode and frequency foldback are disabled. Soft-start mode ends when the SS pin voltage reaches 1.23 V typical. At this point, output voltage control is transferred to the FB pin and the SS pin is discharged.

7.3.5 Current Limit

The peak current limit is set internally by directly measuring peak inductor current through the internal switch. To ensure accurate current sensing, VIN should be bypassed with a minimum 1- μ F ceramic capacitor placed directly at the pin.

When the inductor current reaches the current limit threshold, the internal FET turns off immediately allowing inductor current to ramp down until the next cycle. This reduction in duty cycle corresponds to a reduction in output voltage.

The current limit comparator is disabled for less than 100 ns at the leading edge for increased immunity to switching noise.

Because the current limit monitors peak inductor current, the DC load current limit threshold varies with inductance and frequency. Assuming a minimum current limit of 1.85A, maximum load current can be calculated as follows:

$$I_{load_{max}} = 1.85A - \frac{I_{ripple}}{2} \quad (5)$$

Where I_{ripple} is the peak-to-peak inductor ripple current, calculated as shown below:

$$I_{ripple} = \frac{(V_{in} - V_{out}) \times V_{out}}{f_{sw} \times L \times V_{in}} \quad (6)$$

To find the worst case (lowest) current limit threshold, use the maximum input voltage and minimum current limit specification.

During high over-current conditions, such as output short circuit, the LM26001 employs frequency foldback as a second level of protection. If the feedback voltage falls below the short circuit threshold of 0.9 V, operating frequency is reduced, thereby reducing average switch current. This is especially helpful in short circuit conditions, when inductor current can rise very high during the minimum on-time. Frequency reduction begins at 20% below the nominal frequency setting. The minimum operating frequency in foldback mode is 71 kHz typical.

If the FB voltage falls below the frequency foldback threshold during frequency synchronized operation, the SYNC function is disabled. Operating frequency versus FB voltage in short circuit conditions is shown in the [Typical Characteristics](#) section.

Under conditions where the on time is close to minimum (less than 200 nsec typically), such as high input voltage and high switching frequency, the current limit may not function properly. This is because the current limit circuit cannot reduce the on-time below minimum which prevents entry into frequency foldback mode. There are two ways to ensure proper current limit and foldback operation under high input voltage conditions. First, the operating frequency can be reduced to increase the nominal on time. Second, the inductor value can be increased to slow the current ramp and reduce the peak over-current.

7.3.6 Frequency Adjustment and Synchronization

The switching frequency of the LM26001 can be adjusted between 150 kHz and 500 kHz using a single external resistor. This resistor is connected from the FREQ pin to ground as shown in the typical application. The resistor value can be calculated with the following empirically derived equation:

$$R_{FREQ} = (6.25 \times 10^{10}) \times f_{SW}^{-1.042} \quad (7)$$

Feature Description (continued)

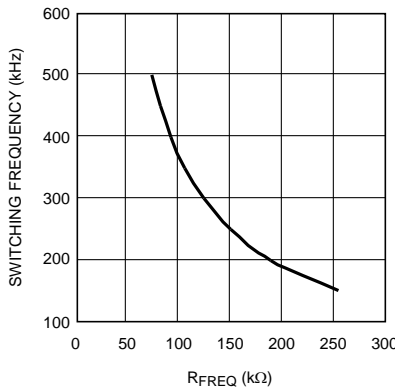


Figure 18. Switching Frequency vs R_{FREQ}

The switching frequency can also be synchronized to an external clock signal using the SYNC pin. The SYNC pin allows the operating frequency to be varied above and below the nominal frequency setting. The adjustment range is from 30% above nominal to 20% below nominal. External synchronization requires a 1.2V (typical) peak signal level at the SYNC pin. The FREQ resistor must always be connected to initialize the nominal operating frequency. The operating frequency is synchronized to the falling edge of the SYNC input. When SYNC goes low, the high-side switch turns on. This allows any duty cycle to be used for the sync signal when synchronizing to a frequency higher than nominal. When synchronizing to a lower frequency, however, there is a minimum duty cycle requirement for the SYNC signal, given in the equation below:

$$\text{Sync_Dmin} \geq 1 - \frac{f_{\text{sync}}}{f_{\text{nom}}} \tag{8}$$

Where *f_{nom}* is the nominal switching frequency set by the FREQ resistor, and *f_{sync}* is a square wave. If the SYNC pin is not used, it must be pulled low for normal operation. A 10 kΩ pull-down resistor is recommended to protect against a missing sync signal. Although the LM26001 is designed to operate at up to 500 kHz, maximum load current may be limited at higher frequencies due to increased temperature rise. See the [Thermal Considerations and TSD](#) section.

7.3.7 VBIAS

The VBIAS pin is used to bypass the internal regulator which provides the bias voltage to the LM26001. When the VBIAS pin is connected to a voltage greater than 3 V, the internal regulator automatically switches over to the VBIAS input. This reduces the current into VIN (*I_q*) and increases system efficiency. Using the VBIAS pin has the added benefit of reducing power dissipation within the device.

For most applications where 3 V < *V_{out}* < 10V, VBIAS can be connected to *V_{out}*. If not used, VBIAS should be tied to GND.

If VBIAS drops below 2.9 V (typical), the device automatically switches over to supply the internal bias voltage from *V_{in}*.

7.3.8 Low VIN Operation and UVLO

The LM26001 is designed to remain operational during short line transients when input voltage may drop as low as 3.0 V. Minimum nominal operating input voltage is 4.0 V. Below this voltage, switch *R_{DS(ON)}* increases, due to the lower gate drive voltage from VDD. The minimum voltage required at VDD is approximately 3.5 V for normal operation within specification.

VDD can also be used as a pull-up voltage for functions such as PGOOD and FPWM. Note that if VDD is used externally, the pin is not recommended for loads greater than 1 mA.

Feature Description (continued)

If the input voltage approaches the nominal output voltage, the duty cycle is maximized to hold up the output voltage. In this mode of operation, once the duty cycle reaches its maximum, the LM26001 can skip a maximum of seven off pulses, effectively increasing the duty cycle and thus minimizing the dropout from input to output. Typical off-pulse skipping waveforms are shown in [Figure 19](#).

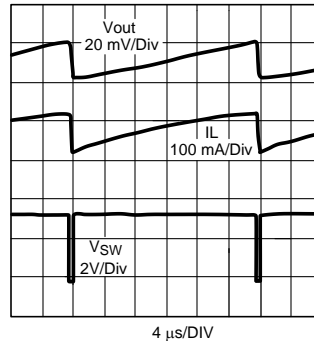


Figure 19. Off-pulse Skipping Waveforms $V_{in} = 3.5\text{ V}$, $V_{nom} = 3.3\text{ V}$, $f_{nom} = 305\text{ kHz}$

UVLO is sensed at both V_{IN} and V_{DD} , and is activated when either voltage falls below 2.9 V (typical). Although V_{DD} is typically less than 200 mV below V_{IN} , it will not discharge through V_{IN} . Therefore when the V_{IN} voltage drops rapidly, V_{DD} may remain high, especially in sleep mode. For fast line voltage transients, using a larger capacitor at the V_{DD} pin can help to hold off a UVLO shutdown by extending the V_{DD} discharge time. By holding up V_{DD} , a larger cap can also reduce the $R_{DS(ON)}$ (and dropout voltage) in low V_{IN} conditions. Alternately, under heavy loading the V_{DD} voltage can fall several hundred mV below V_{IN} . In this case, UVLO may be triggered by V_{DD} even though the V_{IN} voltage is above the UVLO threshold.

When UVLO is activated the LM26001 enters a standby state in which V_{DD} remains charged. As input voltage and V_{DD} voltage rise above 3.9 V (typical) the device will restart from softstart mode.

7.3.9 PGOOD

A power good pin, PGOOD, is available to monitor the output voltage status. The pin is internally connected to an open-drain MOSFET, which remains open while the output voltage is within operating range. PGOOD goes low (low impedance to ground) when the output falls below 85% of nominal or EN is pulled low. When the output voltage returns to within 92% of nominal, as measured at the FB pin, PGOOD returns to a high state. For improved noise immunity, there is a 5 μs delay between the PGOOD threshold and the PGOOD pin going low.

7.4 Device Functional Modes

The LM26001 has three basic operation mode: Shutdown, Sleep or light load operation and full operation.

The part enters shutdown mode when the EN pin is pulled low. In this mode the converter is disabled and the quiescent current minimized See [Enable](#) for more details.

The part enters sleep mode when the converter is active (EN high) and the output current is low. Sleep mode is activated as the COMP voltage naturally falls below a typical 0.6V threshold in light load operation. When operating in sleep mode, the switching events of the converter are reduced in order to lower the current consumption of the system. Forcing the FPWM pin high will prevent sleep mode operation. For details of operation in sleep mode as well as entering and exiting sleep mode. See [Sleep Mode](#).

When the part is enabled and the output load is higher, the part will be in full PWM operation.

In addition to these normal functioning modes, the LM26001 has a frequency foldback operating mode which reduces the operating frequency to protect from short circuits. See [Current Limit](#).

8 Applications and Implementation

NOTE

Information in the following applications and implementation sections is not part of the TI component specification, and TI does not warrant its accuracy or completeness. TI's customers are responsible for determining suitability of components for their purposes. Customers should validate and test their design implementation to confirm system functionality.

8.1 Application Information

The LM26001 offers efficient step-down function meeting the requirements of automotive applications. Current mode control ensures smooth and safe operation thanks to its cycle by cycle current limiting function. Its low minimum ON time allows it to operate over a wide range of output voltages. The following sections detail the steps required for designing a successful application with the LM26001 from component selection to layout.

8.2 Typical Application

Figure 20 shows a complete typical application schematic. The components have been selected based on the design criteria given in the following sections.

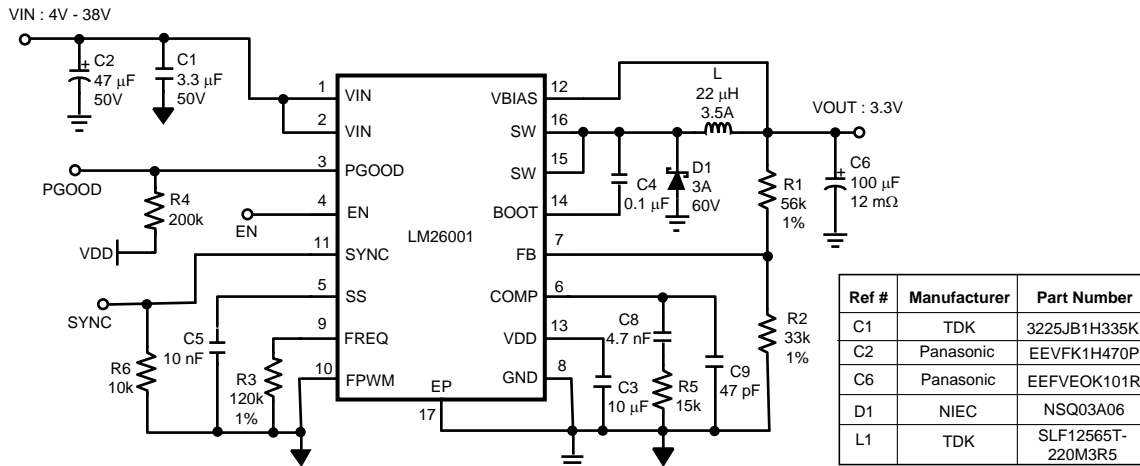


Figure 20. Example Circuit 1.5A Max, 305 kHz

8.2.1 Design Requirements

The following parameters are needed to properly design the application and size the components:

| PARAMETERS | VALUES |
|------------|----------------------------|
| Vout | Output voltage |
| Vin min | Maximum input voltage |
| Vin max | Minimum input voltage |
| Iout max | Maximum output current |
| Fsw | Switching Frequency |
| Fbw | Bandwidth of the converter |

8.2.2 Detailed Design Procedure

8.2.2.1 Setting Output Voltage

The output voltage is set by the ratio of a voltage divider at the FB pin as shown in the typical application. The resistor values can be determined by the following equation:

$$R2 = \frac{R1}{\left(\frac{V_{out}}{V_{fb}} - 1\right)} \quad (9)$$

Where $V_{fb} = 1.234V$ typically.

A maximum value of 150kΩ is recommended for the sum of R1 and R2.

As input voltage decreases towards the nominal output voltage, the LM26001 can skip up to seven off-pulses as described in the [Low VIN Operation and UVLO](#) section. In low output voltage applications, if the on-time reaches T_{on_MIN} , the device will skip on-pulses to maintain regulation. There is no limit to the number of pulses that are skipped. In this mode of operation, however, output ripple voltage may increase slightly.

8.2.2.2 Inductor

The output inductor should be selected based on inductor ripple current. The amount of inductor ripple current compared to load current, or ripple content, is defined as I_{ripple}/I_{load} . Ripple content should be less than 40%. Inductor ripple current, I_{ripple} , can be calculated as shown below:

$$I_{ripple} = \frac{(V_{in} - V_{out}) \times V_{out}}{f_{sw} \times L \times V_{in}} \quad (10)$$

Larger ripple content increases losses in the inductor and reduces the effective current limit.

Larger inductance values result in lower output ripple voltage and higher efficiency, but a slightly degraded transient response. Lower inductance values allow for smaller case size, but the increased ripple lowers the effective current limit threshold.

Remember that inductor value also affects the sleep mode threshold as shown in [Figure 16](#).

When choosing the inductor, the saturation current rating must be higher than the maximum peak inductor current and the RMS current rating should be higher than the maximum load current. Peak inductor current, I_{peak} , is calculated as:

$$I_{peak} = I_{load} + \frac{I_{ripple}}{2} \quad (11)$$

For example, at a maximum load of 1.5A and a ripple content of 40%, peak inductor current is equal to 1.8A which is safely below the minimum current limit of 1.85A. By increasing the inductor size, ripple content and peak inductor current are lowered, which increases the current limit margin.

The size of the output inductor can also be determined using the desired output ripple voltage, V_{rip} . The equation to determine the minimum inductance value based on V_{rip} is as follows:

$$L_{MIN} = \frac{(V_{in} - V_{out}) \times V_{out} \times R_e}{V_{in} \times f_{sw} \times V_{rip}} \quad (12)$$

Where R_e is the ESR of the output capacitors, and V_{rip} is a peak-to-peak value. This equation assumes that the output capacitors have some amount of ESR. It does not apply to ceramic output capacitors.

If this method is used, ripple content should still be verified to be less than 40%.

8.2.2.3 Output Capacitor

The primary criterion for selecting an output capacitor is equivalent series resistance, or ESR.

ESR (R_e) can be selected based on the requirements for output ripple voltage and transient response. Once an inductor value has been selected, ripple voltage can be calculated for a given R_e using the equation above for L_{min} . Lower ESR values result in lower output ripple.

R_e can also be calculated from the following equation:

$$R_{e_MAX} = \frac{\Delta V_t}{\Delta I_t} \quad (13)$$

Where ΔV_t is the allowed voltage excursion during a load transient, and ΔI_t is the maximum expected load transient. If the total ESR is too high, the load transient requirement cannot be met, no matter how large the output capacitance. If the ESR criteria for ripple voltage and transient excursion cannot be met, more capacitors should be used in parallel. For non-ceramic capacitors, the minimum output capacitance is of secondary importance, and is determined only by the load transient requirement.

If there is not enough capacitance, the output voltage excursion will exceed the maximum allowed value even if the maximum ESR requirement is met. The minimum capacitance is calculated as follows:

$$C_{\text{MIN}} = \frac{L \times (\Delta V_t - \sqrt{(\Delta V_t)^2 - (\Delta I_t \times R_e)^2})}{V_{\text{out}} \times R_e^2} \quad (14)$$

It is assumed the total ESR, R_e , is no greater than $R_{e\text{MAX}}$. Also, it is assumed that L has already been selected.

Generally speaking, the output capacitance requirement decreases with R_e , ΔI_t , and L . A typical value greater than 100 μF works well for most applications.

8.2.2.4 Input Capacitor

In a switching converter, very fast switching pulse currents are drawn from the input rail. Therefore, input capacitors are required to reduce noise, EMI, and ripple at the input to the LM26001. Capacitors must be selected that can handle both the maximum ripple RMS current at highest ambient temperature as well as the maximum input voltage. The equation for calculating the RMS input ripple current is shown below:

$$I_{\text{rms}} = \frac{I_{\text{load}} \times \sqrt{V_{\text{out}} \times (V_{\text{in}} - V_{\text{out}})}}{V_{\text{in}}} \quad (15)$$

For noise suppression, a ceramic capacitor in the range of 1.0 μF to 10 μF should be placed as close as possible to the VIN pin.

A larger, high ESR input capacitor should also be used. This capacitor is recommended for damping input voltage spikes during power-on and for holding up the input voltage during transients. In low input voltage applications, line transients may fall below the UVLO threshold if there is not enough input capacitance. Both tantalum and electrolytic type capacitors are suitable for the bulk capacitor. However, large tantalums may not be available for high input voltages and their working voltage must be derated by at least 2X.

8.2.2.5 Bootstrap

The drive voltage for the internal switch is supplied via the BOOT pin. This pin must be connected to a ceramic capacitor, C_{boot} , from the switch node, shown as C4 in the typical application. The LM26001 provides the VDD voltage internally, so no external diode is needed. A maximum value of 0.1 μF is recommended for C_{boot} . Values smaller than 0.01 μF may result in insufficient hold up time for the drive voltage and increased power dissipation.

During low V_{in} operation, when the on-time is extended, the bootstrap capacitor is at risk of discharging. If the C_{boot} capacitor is discharged below approximately 2.5V, the LM26001 enters a high frequency re-charge mode. The C_{boot} cap is re-charged via the LG synchronous FET shown in the block diagram. Switching returns to normal when the C_{boot} cap has been recharged.

8.2.2.6 Catch Diode

When the internal switch is off, output current flows through the catch diode. Alternately, when the switch is on, the diode sees a reverse voltage equal to V_{in} . Therefore, the important parameters for selecting the catch diode are peak current and peak inverse voltage. The average current through the diode is given by:

$$I_{\text{DAVE}} = I_{\text{load}} \times (1-D) \quad (16)$$

Where D is the duty cycle, defined as $V_{\text{out}}/V_{\text{in}}$. The catch diode conducts the largest currents during the lowest duty cycle. Therefore I_{DAVE} should be calculated assuming maximum input voltage. The diode should be rated to handle this current continuously. For over-current or short circuit conditions, the catch diode should be rated to handle peak currents equal to the peak current limit.

The peak inverse voltage rating of the diode must be greater than maximum input voltage.

A Schottky diode must be used. It's low forward voltage maximizes efficiency and BOOT voltage, while also protecting the SW pin against large negative voltage spikes.

8.2.2.7 Compensation

The purpose of loop compensation is to ensure stable operation while maximizing dynamic performance. Stability can be analyzed with loop gain measurements, while dynamic performance is analyzed with both loop gain and load transient response. Loop gain is equal to the product of control-output transfer function (power stage) and the feedback transfer function (the compensation network).

For stability purposes, our target is to have a loop gain slope that is -20dB/decade from a very low frequency to beyond the crossover frequency. Also, the crossover frequency should not exceed one-fifth of the switching frequency, i.e. 60 kHz in the case of 300 kHz switching frequency.

For dynamic purposes, the higher the bandwidth, the faster the load transient response. A large DC gain means high DC regulation accuracy (i.e. DC voltage changes little with load or line variations). To achieve this loop gain, the compensation components should be set according to the shape of the control-output bode plot. A typical plot is shown in [Figure 21](#).

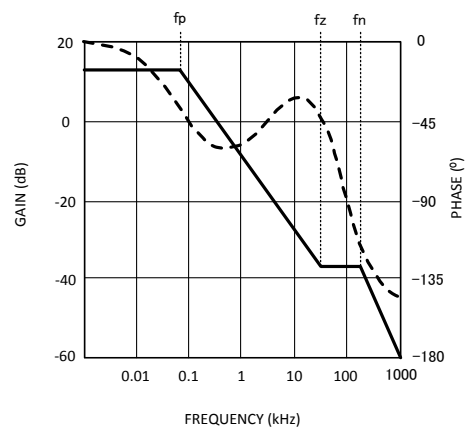


Figure 21. Control-Output Transfer Function

The control-output transfer function consists of one pole (f_p), one zero (f_z), and a double pole at f_n (half the switching frequency).

Referring to [Figure 21](#), the following should be done to create a -20dB/decade roll-off of the loop gain:

1. Place a pole at 0 Hz (f_{pc})
2. Place a zero at f_z (f_{zc})
3. Place a second pole at f_z (f_{pc1})

The resulting feedback (compensation) bode plot is shown in [Figure 22](#). Adding the control-output response to the feedback response will then result in a nearly continuous -20dB/decade slope.

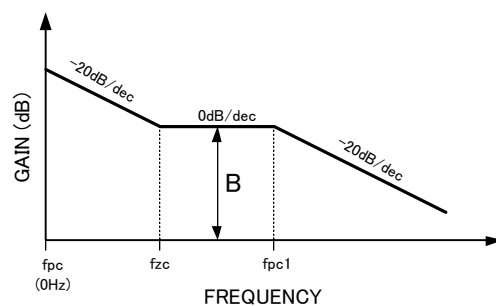


Figure 22. Feedback Transfer Function

The control-output corner frequencies can be determined approximately by the following equations:

$$f_z = \frac{1}{2\pi \times R_e \times C_o} \quad (17)$$

$$f_p = \frac{1}{10 \times \pi \times R_o \times C_o} + \frac{0.5}{2 \times \pi \times L \times f_{sw} \times C_o} \quad (18)$$

$$f_n = \frac{f_{sw}}{2} \quad (19)$$

Where C_o is the output capacitance, R_o is the load resistance, R_e is the output capacitor ESR, and f_{sw} is the switching frequency. The effects of slope compensation and current sense gain are included in this equation. However, the equation is an approximation intended to simplify loop compensation calculations. To derive the exact transfer function, use 0.2V/V sense amp gain and 36mVp-p slope compensation.

Since f_p is determined by the output network, it shifts with loading. Determine the range of frequencies (f_{pmin}/f_{pmax}) across the expected load range. Then determine the compensation values as described below and shown in Figure 23.

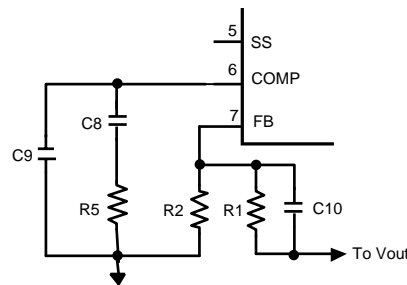


Figure 23. Compensation Network

1. The compensation network automatically introduces a low frequency pole (f_{pc}), which is close to 0Hz.
2. Once the f_p range is determined, R_5 should be calculated using:

$$R_5 = \frac{B}{g_m} \times \left(\frac{R_1 + R_2}{R_2} \right) \quad (20)$$

Where B is the desired feedback gain in v/v between f_p and f_z , and g_m is the transconductance of the error amplifier. A gain value around 10dB (3.3v/v) is generally a good starting point. Bandwidth increases with increasing values of R_5 .

3. Next, place a zero (f_{zc}) near f_p using C_8 . C_8 can be determined with the following equation:

$$C_8 = \frac{1}{2 \times \pi \times f_{P_{MAX}} \times R_5} \quad (21)$$

The selected value of C_8 should place f_{zc} within a decade above or below f_{pmax} , and not less than f_{pmin} . A higher C_8 value (closer to f_{pmin}) generally provides a more stable loop, but too high a value will slow the transient response time. Conversely, a smaller C_8 value will result in a faster transient response, but lower phase margin.

4. A second pole (f_{pc1}) can also be placed at f_z . This pole can be created with a single capacitor, C_9 . The minimum value for this capacitor can be calculated by:

$$C_9 = \frac{1}{2 \times \pi \times f_z \times R_5} \quad (22)$$

C_9 may not be necessary in all applications. However if the operating frequency is being synchronized below the nominal frequency, C_9 is recommended. Although it is not required for stability, C_9 is very helpful in suppressing noise.

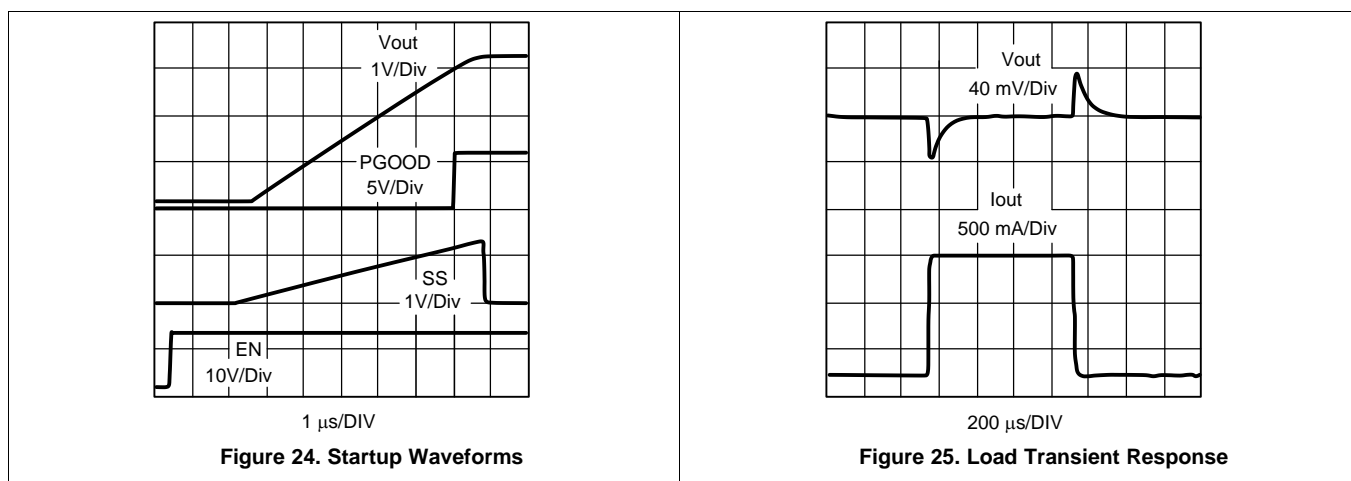
A phase lead capacitor can also be added to increase the phase and gain margins. The phase lead capacitor is most helpful for high input voltage applications or when synchronizing to a frequency greater than nominal. This capacitor, shown as C10 in [Figure 23](#), should be placed in parallel with the top feedback resistor, R1. C10 introduces an additional zero and pole to the compensation network. These frequencies can be calculated as shown below:

$$f_{zff} = \frac{1}{2 \times \pi \times R1 \times C10} \quad (23)$$

$$f_{pff} = \frac{f_{zff} \times V_{out}}{V_{fb}} \quad (24)$$

A phase lead capacitor will boost loop phase around the region of the zero frequency, f_{zff} . f_{zff} should be placed somewhat below the f_{pz1} frequency set by C9. However, if C10 is too large, it will have no effect.

8.2.3 Application Curves



9 Power Supply Recommendations

The LM26001 is designed to operate from various DC power supply including a car battery. If so, VIN input should be protected from reversal voltage and voltage dump over 48 Volts. The impedance of the input supply rail should be low enough that the input current transient does not cause drop below VIN UVLO level. If the input supply is connected by using long wires, additional bulk capacitance may be required in addition to normal input capacitor.

10 Layout

10.1 Layout Guidelines

Good board layout is critical for switching regulators such as the LM26001. First, the ground plane area must be sufficient for thermal dissipation purposes, and second, appropriate guidelines must be followed to reduce the effects of switching noise.

Switch mode converters are very fast switching devices. In such devices, the rapid increase of input current combined with parasitic trace inductance generates unwanted Ldi/dt noise spikes at the SW node and also at the VIN node. The magnitude of this noise tends to increase as the output current increases. This parasitic spike noise may turn into electromagnetic interference (EMI), and can also cause problems in device performance. Therefore, care must be taken in layout to minimize the effect of this switching noise.

The current sensing circuit in current mode devices can be easily affected by switching noise. This noise can cause duty cycle jitter which leads to increased spectral noise. Although the LM26001 has 100ns blanking time at the beginning of every cycle to ignore this noise, some noise may remain after the blanking time. Following the important guidelines below will help minimize switching noise and its effect on current sensing.

The switch node area should be as small as possible. The catch diode, input capacitors, and output capacitors should be grounded to a large ground plane, with the bulk input capacitor grounded as close as possible to the catch diode anode. Additionally, the ground area between the catch diode and bulk input capacitor is very noisy and should be somewhat isolated from the rest of the ground plane.

A ceramic input capacitor must be connected as close as possible to the VIN pin and grounded close to the GND pin. Often this capacitor is most easily located on the bottom side of the pcb. If placement close to the GND pin is not practical, the ceramic input capacitor can also be grounded close to the catch diode ground. The above layout recommendations are illustrated below in [Figure 26](#).

It is a good practice to connect the EP, GND pin, and small signal components (COMP, FB, FREQ) to a separate ground plane, shown in [Figure 26](#) as EP GND, and in the schematics as a signal ground symbol. Both the exposed pad and the GND pin must be connected to ground. This quieter plane should be connected to the high current ground plane at a quiet location, preferably near the Vout ground as shown by the dashed line in [Figure 26](#).

The EP GND plane should be made as large as possible, since it is also used for thermal dissipation. Several vias can be placed directly below the EP to increase heat flow to other layers when they are available. The recommended via hole diameter is 0.3mm.

The trace from the FB pin to the resistor divider should be short and the entire feedback trace must be kept away from the inductor and switch node. See *AN-1229 SIMPLE SWITCHER® PCB Layout Guidelines*, [SNVA054](#), for more information regarding PCB layout for switching regulators.

10.2 Layout Example

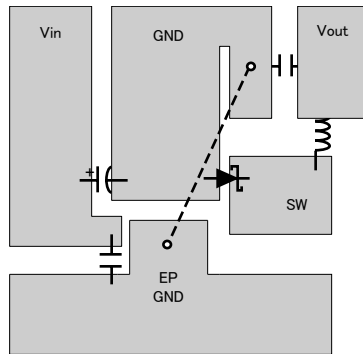


Figure 26. Example PCB Layout

10.3 Thermal Considerations and TSD

Although the LM26001 has a built in current limit, at ambient temperatures above 80°C, device temperature rise may limit the actual maximum load current. Therefore, temperature rise must be taken into consideration to determine the maximum allowable load current.

Temperature rise is a function of the power dissipation within the device. The following equations can be used to calculate power dissipation (PD) and temperature rise, where total PD is the sum of FET switching losses, FET DC losses, drive losses, I_q , and VBIAS losses:

$$PD_{TOTAL} = P_{sw_{AC}} + P_{sw_{DC}} + P_{QG} + P_{Iq} + P_{VBIAS} \quad (25)$$

$$P_{sw_{AC}} = V_{in} \times I_{load} \times f_{sw} \times \left(\frac{V_{in} \times 10^{-9}}{1.33} \right) \quad (26)$$

$$P_{sw_{DC}} = D \times I_{load}^2 \times (0.2 + 0.00065 \times (T_j - 25)) \quad (27)$$

$$P_{QG} = V_{in} \times 4.6 \times 10^{-9} \times f_{sw} \quad (28)$$

$$P_{Iq} = V_{in} \times I_q \quad (29)$$

$$P_{VBIAS} = V_{bias} \times I_{VBIAS} \quad (30)$$

Given this total power dissipation, junction temperature can be calculated as follows:

$$T_j = T_a + (PD_{TOTAL} \times \theta_{JA}) \quad (31)$$

Where θ_{JA} = 38°C/W (typically) when using a multi-layer board with a large copper plane area. θ_{JA} varies with board type and metallization area.

To calculate the maximum allowable power dissipation, assume $T_j = 125^\circ\text{C}$. To ensure that junction temperature does not exceed the maximum operating rating of 125°C, power dissipation should be verified at the maximum expected operating frequency, maximum ambient temperature, and minimum and maximum input voltage. The calculated maximum load current is based on continuous operation and may be exceeded during transient conditions.

If the power dissipation remains above the maximum allowable level, device temperature will continue to rise. When the junction temperature exceeds its maximum, the LM26001 engages Thermal Shut Down (TSD). In TSD, the part remains in a shutdown state until the junction temperature falls to within normal operating limits. At this point, the device restarts in soft-start mode.

11 Device and Documentation Support

11.1 Documentation Support

11.1.1 Related Documentation

AN-1229 SIMPLE SWITCHER® PCB Layout Guidelines, [SNVA054](#)

IC Package Thermal Metrics application report, [SPRA953](#)

11.2 Related Links

The table below lists quick access links. Categories include technical documents, support and community resources, tools and software, and quick access to sample or buy.

Table 1. Related Links

| PARTS | PRODUCT FOLDER | SAMPLE & BUY | TECHNICAL DOCUMENTS | TOOLS & SOFTWARE | SUPPORT & COMMUNITY |
|------------|----------------------------|----------------------------|----------------------------|----------------------------|----------------------------|
| LM26001 | Click here | Click here | Click here | Click here | Click here |
| LM26001-Q1 | Click here | Click here | Click here | Click here | Click here |

11.3 Trademarks

All trademarks are the property of their respective owners.

11.4 Electrostatic Discharge Caution



These devices have limited built-in ESD protection. The leads should be shorted together or the device placed in conductive foam during storage or handling to prevent electrostatic damage to the MOS gates.

11.5 Glossary

[SLYZ022](#) — *TI Glossary*.

This glossary lists and explains terms, acronyms, and definitions.

12 Mechanical, Packaging, and Orderable Information

The following pages include mechanical, packaging, and orderable information. This information is the most current data available for the designated devices. This data is subject to change without notice and revision of this document. For browser-based versions of this data sheet, refer to the left-hand navigation.

PACKAGING INFORMATION

| Orderable Device | Status (1) | Package Type | Package Drawing | Pins | Package Qty | Eco Plan (2) | Lead/Ball Finish (6) | MSL Peak Temp (3) | Op Temp (°C) | Device Marking (4/5) | Samples |
|-------------------|---------------|--------------|-----------------|------|-------------|-------------------------|-------------------------|----------------------|--------------|-------------------------|-------------------------|
| LM26001MXA/NOPB | ACTIVE | HTSSOP | PWP | 16 | 92 | Green (RoHS & no Sb/Br) | CU SN | Level-1-260C-UNLIM | -40 to 125 | L26001 MXA | Samples |
| LM26001MXAX/NOPB | ACTIVE | HTSSOP | PWP | 16 | 2500 | Green (RoHS & no Sb/Br) | CU SN | Level-1-260C-UNLIM | -40 to 125 | L26001 MXA | Samples |
| LM26001QMXA/NOPB | ACTIVE | HTSSOP | PWP | 16 | 92 | Green (RoHS & no Sb/Br) | CU SN | Level-1-260C-UNLIM | -40 to 125 | L26001 QMXA | Samples |
| LM26001QMXAX/NOPB | ACTIVE | HTSSOP | PWP | 16 | 2500 | Green (RoHS & no Sb/Br) | CU SN | Level-1-260C-UNLIM | -40 to 125 | L26001 QMXA | Samples |

(1) The marketing status values are defined as follows:

ACTIVE: Product device recommended for new designs.

LIFEBUY: TI has announced that the device will be discontinued, and a lifetime-buy period is in effect.

NRND: Not recommended for new designs. Device is in production to support existing customers, but TI does not recommend using this part in a new design.

PREVIEW: Device has been announced but is not in production. Samples may or may not be available.

OBSOLETE: TI has discontinued the production of the device.

(2) Eco Plan - The planned eco-friendly classification: Pb-Free (RoHS), Pb-Free (RoHS Exempt), or Green (RoHS & no Sb/Br) - please check <http://www.ti.com/productcontent> for the latest availability information and additional product content details.

TBD: The Pb-Free/Green conversion plan has not been defined.

Pb-Free (RoHS): TI's terms "Lead-Free" or "Pb-Free" mean semiconductor products that are compatible with the current RoHS requirements for all 6 substances, including the requirement that lead not exceed 0.1% by weight in homogeneous materials. Where designed to be soldered at high temperatures, TI Pb-Free products are suitable for use in specified lead-free processes.

Pb-Free (RoHS Exempt): This component has a RoHS exemption for either 1) lead-based flip-chip solder bumps used between the die and package, or 2) lead-based die adhesive used between the die and leadframe. The component is otherwise considered Pb-Free (RoHS compatible) as defined above.

Green (RoHS & no Sb/Br): TI defines "Green" to mean Pb-Free (RoHS compatible), and free of Bromine (Br) and Antimony (Sb) based flame retardants (Br or Sb do not exceed 0.1% by weight in homogeneous material)

(3) MSL, Peak Temp. - The Moisture Sensitivity Level rating according to the JEDEC industry standard classifications, and peak solder temperature.

(4) There may be additional marking, which relates to the logo, the lot trace code information, or the environmental category on the device.

(5) Multiple Device Markings will be inside parentheses. Only one Device Marking contained in parentheses and separated by a "~" will appear on a device. If a line is indented then it is a continuation of the previous line and the two combined represent the entire Device Marking for that device.

(6) Lead/Ball Finish - Orderable Devices may have multiple material finish options. Finish options are separated by a vertical ruled line. Lead/Ball Finish values may wrap to two lines if the finish value exceeds the maximum column width.

Important Information and Disclaimer: The information provided on this page represents TI's knowledge and belief as of the date that it is provided. TI bases its knowledge and belief on information provided by third parties, and makes no representation or warranty as to the accuracy of such information. Efforts are underway to better integrate information from third parties. TI has taken and continues to take reasonable steps to provide representative and accurate information but may not have conducted destructive testing or chemical analysis on incoming materials and chemicals. TI and TI suppliers consider certain information to be proprietary, and thus CAS numbers and other limited information may not be available for release.

In no event shall TI's liability arising out of such information exceed the total purchase price of the TI part(s) at issue in this document sold by TI to Customer on an annual basis.

OTHER QUALIFIED VERSIONS OF LM26001, LM26001-Q1 :

- Catalog: [LM26001](#)
- Automotive: [LM26001-Q1](#)

NOTE: Qualified Version Definitions:

- Catalog - TI's standard catalog product
- Automotive - Q100 devices qualified for high-reliability automotive applications targeting zero defects

TAPE AND REEL INFORMATION

QUADRANT ASSIGNMENTS FOR PIN 1 ORIENTATION IN TAPE


*All dimensions are nominal

| Device | Package Type | Package Drawing | Pins | SPQ | Reel Diameter (mm) | Reel Width W1 (mm) | A0 (mm) | B0 (mm) | K0 (mm) | P1 (mm) | W (mm) | Pin1 Quadrant |
|-------------------|--------------|-----------------|------|------|--------------------|--------------------|---------|---------|---------|---------|--------|---------------|
| LM26001MXAX/NOPB | HTSSOP | PWP | 16 | 2500 | 330.0 | 12.4 | 6.95 | 5.6 | 1.6 | 8.0 | 12.0 | Q1 |
| LM26001QMXAX/NOPB | HTSSOP | PWP | 16 | 2500 | 330.0 | 12.4 | 6.95 | 5.6 | 1.6 | 8.0 | 12.0 | Q1 |

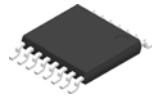
TAPE AND REEL BOX DIMENSIONS



*All dimensions are nominal

| Device | Package Type | Package Drawing | Pins | SPQ | Length (mm) | Width (mm) | Height (mm) |
|-------------------|--------------|-----------------|------|------|-------------|------------|-------------|
| LM26001MXAX/NOPB | HTSSOP | PWP | 16 | 2500 | 367.0 | 367.0 | 35.0 |
| LM26001QMXAX/NOPB | HTSSOP | PWP | 16 | 2500 | 367.0 | 367.0 | 35.0 |

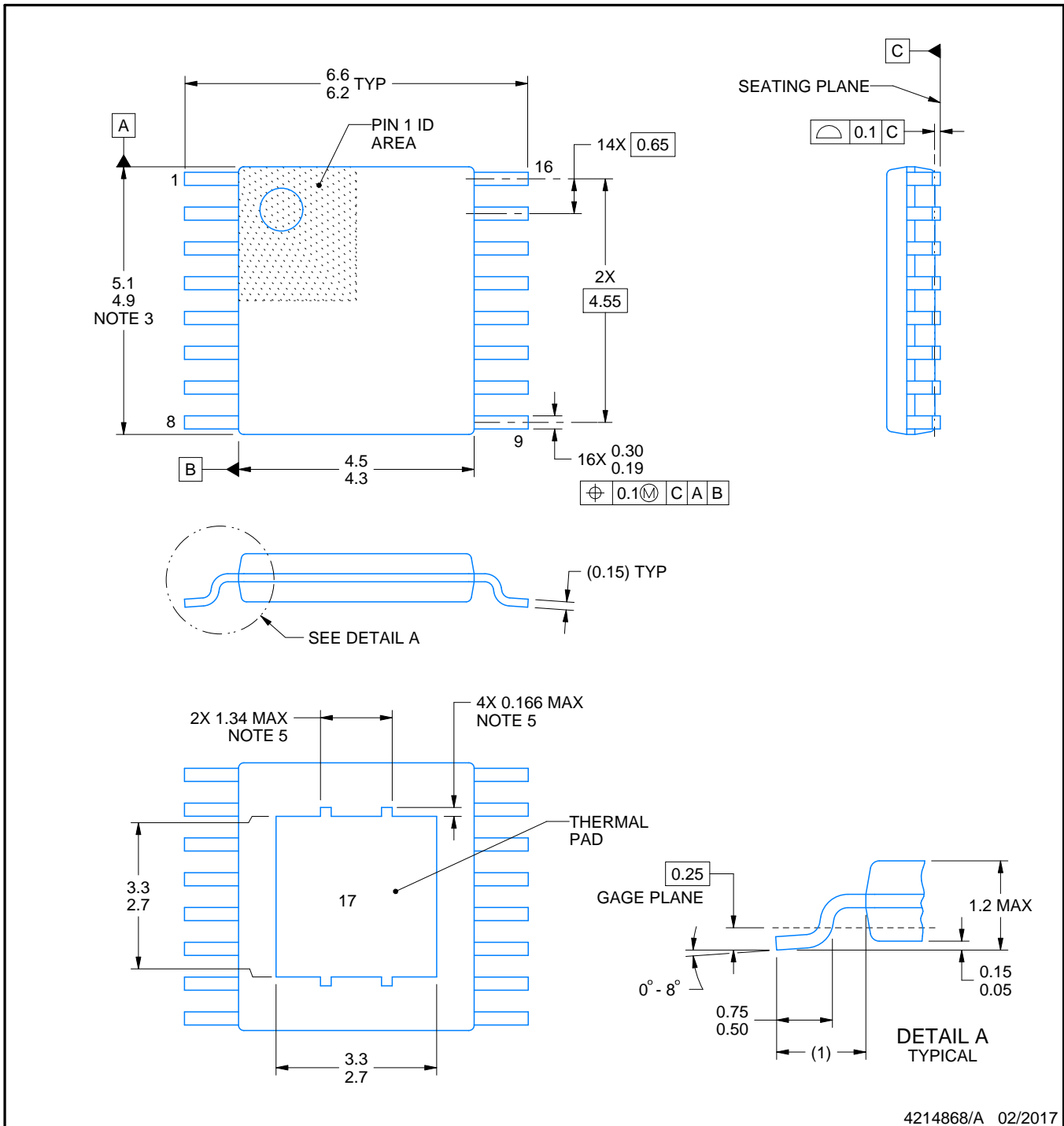
PWP0016A



PACKAGE OUTLINE

PowerPAD™ HTSSOP - 1.2 mm max height

PLASTIC SMALL OUTLINE



4214868/A 02/2017

NOTES:

PowerPAD is a trademark of Texas Instruments.

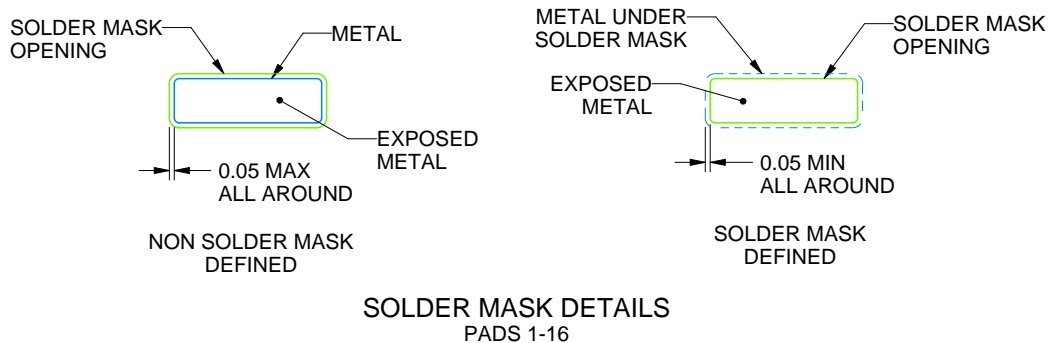
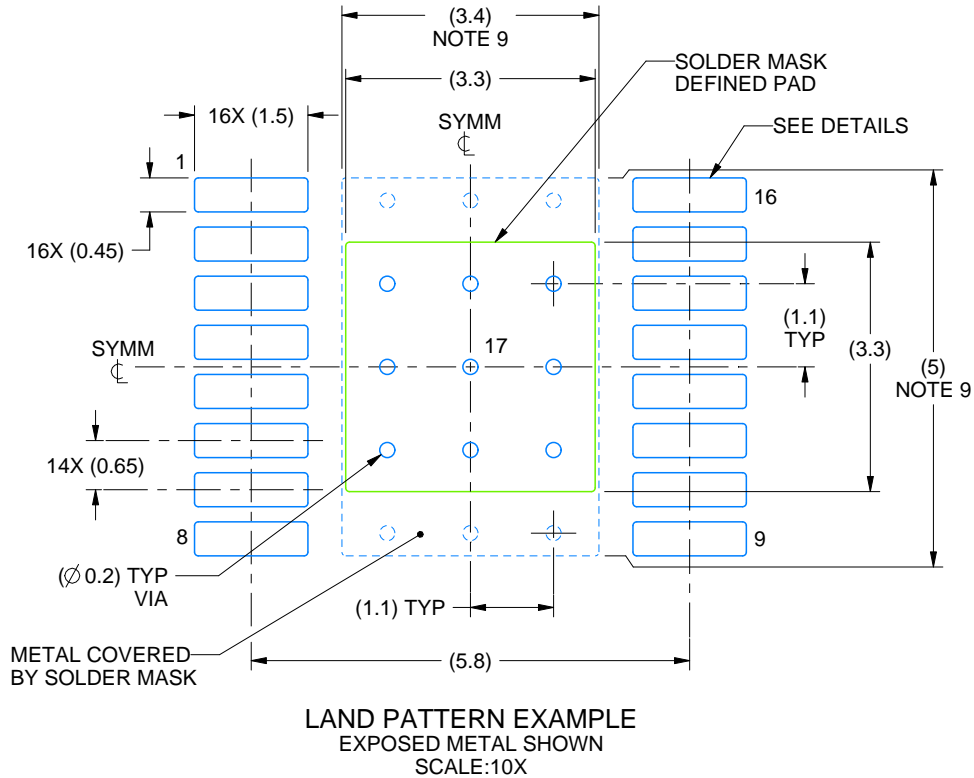
1. All linear dimensions are in millimeters. Any dimensions in parenthesis are for reference only. Dimensioning and tolerancing per ASME Y14.5M.
2. This drawing is subject to change without notice.
3. This dimension does not include mold flash, protrusions, or gate burrs. Mold flash, protrusions, or gate burrs shall not exceed 0.15 mm per side.
4. Reference JEDEC registration MO-153.
5. Features may not be present.

EXAMPLE BOARD LAYOUT

PWP0016A

PowerPAD™ HTSSOP - 1.2 mm max height

PLASTIC SMALL OUTLINE



4214868/A 02/2017

NOTES: (continued)

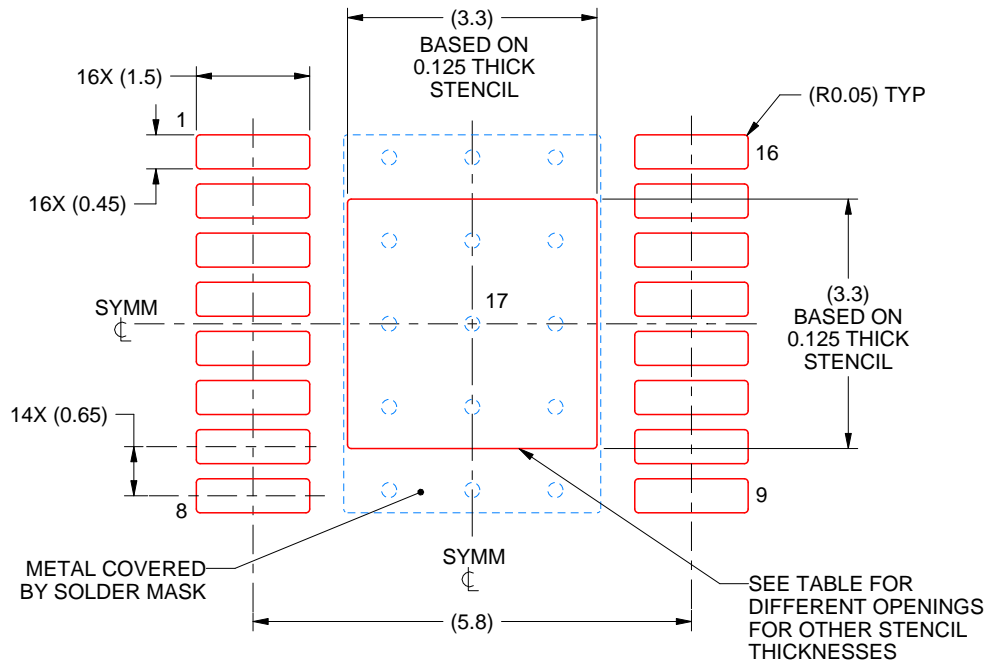
6. Publication IPC-7351 may have alternate designs.
7. Solder mask tolerances between and around signal pads can vary based on board fabrication site.
8. This package is designed to be soldered to a thermal pad on the board. For more information, see Texas Instruments literature numbers SLMA002 (www.ti.com/lit/slma002) and SLMA004 (www.ti.com/lit/slma004).
9. Size of metal pad may vary due to creepage requirement.

EXAMPLE STENCIL DESIGN

PWP0016A

PowerPAD™ HTSSOP - 1.2 mm max height

PLASTIC SMALL OUTLINE



SOLDER PASTE EXAMPLE
 EXPOSED PAD
 100% PRINTED SOLDER COVERAGE BY AREA
 SCALE:10X

| STENCIL THICKNESS | SOLDER STENCIL OPENING |
|-------------------|------------------------|
| 0.1 | 3.69 X 3.69 |
| 0.125 | 3.3 X 3.3 (SHOWN) |
| 0.15 | 3.01 X 3.01 |
| 0.175 | 2.79 X 2.79 |

4214868/A 02/2017

NOTES: (continued)

10. Laser cutting apertures with trapezoidal walls and rounded corners may offer better paste release. IPC-7525 may have alternate design recommendations.
11. Board assembly site may have different recommendations for stencil design.

IMPORTANT NOTICE

Texas Instruments Incorporated (TI) reserves the right to make corrections, enhancements, improvements and other changes to its semiconductor products and services per JESD46, latest issue, and to discontinue any product or service per JESD48, latest issue. Buyers should obtain the latest relevant information before placing orders and should verify that such information is current and complete.

TI's published terms of sale for semiconductor products (<http://www.ti.com/sc/docs/stdterms.htm>) apply to the sale of packaged integrated circuit products that TI has qualified and released to market. Additional terms may apply to the use or sale of other types of TI products and services.

Reproduction of significant portions of TI information in TI data sheets is permissible only if reproduction is without alteration and is accompanied by all associated warranties, conditions, limitations, and notices. TI is not responsible or liable for such reproduced documentation. Information of third parties may be subject to additional restrictions. Resale of TI products or services with statements different from or beyond the parameters stated by TI for that product or service voids all express and any implied warranties for the associated TI product or service and is an unfair and deceptive business practice. TI is not responsible or liable for any such statements.

Buyers and others who are developing systems that incorporate TI products (collectively, "Designers") understand and agree that Designers remain responsible for using their independent analysis, evaluation and judgment in designing their applications and that Designers have full and exclusive responsibility to assure the safety of Designers' applications and compliance of their applications (and of all TI products used in or for Designers' applications) with all applicable regulations, laws and other applicable requirements. Designer represents that, with respect to their applications, Designer has all the necessary expertise to create and implement safeguards that (1) anticipate dangerous consequences of failures, (2) monitor failures and their consequences, and (3) lessen the likelihood of failures that might cause harm and take appropriate actions. Designer agrees that prior to using or distributing any applications that include TI products, Designer will thoroughly test such applications and the functionality of such TI products as used in such applications.

TI's provision of technical, application or other design advice, quality characterization, reliability data or other services or information, including, but not limited to, reference designs and materials relating to evaluation modules, (collectively, "TI Resources") are intended to assist designers who are developing applications that incorporate TI products; by downloading, accessing or using TI Resources in any way, Designer (individually or, if Designer is acting on behalf of a company, Designer's company) agrees to use any particular TI Resource solely for this purpose and subject to the terms of this Notice.

TI's provision of TI Resources does not expand or otherwise alter TI's applicable published warranties or warranty disclaimers for TI products, and no additional obligations or liabilities arise from TI providing such TI Resources. TI reserves the right to make corrections, enhancements, improvements and other changes to its TI Resources. TI has not conducted any testing other than that specifically described in the published documentation for a particular TI Resource.

Designer is authorized to use, copy and modify any individual TI Resource only in connection with the development of applications that include the TI product(s) identified in such TI Resource. NO OTHER LICENSE, EXPRESS OR IMPLIED, BY ESTOPPEL OR OTHERWISE TO ANY OTHER TI INTELLECTUAL PROPERTY RIGHT, AND NO LICENSE TO ANY TECHNOLOGY OR INTELLECTUAL PROPERTY RIGHT OF TI OR ANY THIRD PARTY IS GRANTED HEREIN, including but not limited to any patent right, copyright, mask work right, or other intellectual property right relating to any combination, machine, or process in which TI products or services are used. Information regarding or referencing third-party products or services does not constitute a license to use such products or services, or a warranty or endorsement thereof. Use of TI Resources may require a license from a third party under the patents or other intellectual property of the third party, or a license from TI under the patents or other intellectual property of TI.

TI RESOURCES ARE PROVIDED "AS IS" AND WITH ALL FAULTS. TI DISCLAIMS ALL OTHER WARRANTIES OR REPRESENTATIONS, EXPRESS OR IMPLIED, REGARDING RESOURCES OR USE THEREOF, INCLUDING BUT NOT LIMITED TO ACCURACY OR COMPLETENESS, TITLE, ANY EPIDEMIC FAILURE WARRANTY AND ANY IMPLIED WARRANTIES OF MERCHANTABILITY, FITNESS FOR A PARTICULAR PURPOSE, AND NON-INFRINGEMENT OF ANY THIRD PARTY INTELLECTUAL PROPERTY RIGHTS. TI SHALL NOT BE LIABLE FOR AND SHALL NOT DEFEND OR INDEMNIFY DESIGNER AGAINST ANY CLAIM, INCLUDING BUT NOT LIMITED TO ANY INFRINGEMENT CLAIM THAT RELATES TO OR IS BASED ON ANY COMBINATION OF PRODUCTS EVEN IF DESCRIBED IN TI RESOURCES OR OTHERWISE. IN NO EVENT SHALL TI BE LIABLE FOR ANY ACTUAL, DIRECT, SPECIAL, COLLATERAL, INDIRECT, PUNITIVE, INCIDENTAL, CONSEQUENTIAL OR EXEMPLARY DAMAGES IN CONNECTION WITH OR ARISING OUT OF TI RESOURCES OR USE THEREOF, AND REGARDLESS OF WHETHER TI HAS BEEN ADVISED OF THE POSSIBILITY OF SUCH DAMAGES.

Unless TI has explicitly designated an individual product as meeting the requirements of a particular industry standard (e.g., ISO/TS 16949 and ISO 26262), TI is not responsible for any failure to meet such industry standard requirements.

Where TI specifically promotes products as facilitating functional safety or as compliant with industry functional safety standards, such products are intended to help enable customers to design and create their own applications that meet applicable functional safety standards and requirements. Using products in an application does not by itself establish any safety features in the application. Designers must ensure compliance with safety-related requirements and standards applicable to their applications. Designer may not use any TI products in life-critical medical equipment unless authorized officers of the parties have executed a special contract specifically governing such use. Life-critical medical equipment is medical equipment where failure of such equipment would cause serious bodily injury or death (e.g., life support, pacemakers, defibrillators, heart pumps, neurostimulators, and implantables). Such equipment includes, without limitation, all medical devices identified by the U.S. Food and Drug Administration as Class III devices and equivalent classifications outside the U.S.

TI may expressly designate certain products as completing a particular qualification (e.g., Q100, Military Grade, or Enhanced Product). Designers agree that it has the necessary expertise to select the product with the appropriate qualification designation for their applications and that proper product selection is at Designers' own risk. Designers are solely responsible for compliance with all legal and regulatory requirements in connection with such selection.

Designer will fully indemnify TI and its representatives against any damages, costs, losses, and/or liabilities arising out of Designer's non-compliance with the terms and provisions of this Notice.