

24-Bit, 96-kHz Sampling, Enhanced Multilevel, Delta-Sigma, Audio Digital-to-Analog Converter

FEATURES

- 24-Bit Resolution
- Analog Performance ($V_{CC} = 5\text{ V}$):
 - Dynamic Range:
 - 106 dB, Typical (PCM1748KE)
 - 100 dB, Typical (PCM1748E)
 - SNR:
 - 106 dB, Typical (PCM1748KE)
 - 100 dB, Typical (PCM1748E)
 - THD+N:
 - 0.002%, Typical (PCM1748KE)
 - 0.003%, Typical (PCM1748E)
 - Full-Scale Output: 3.1 V_{p-p}, Typical
- 8x Oversampling Digital Filter:
 - Stop-Band Attenuation: –55 dB
 - Pass-Band Ripple: ±0.03 dB
- Sampling Frequency: 5 kHz to 100 kHz
- System Clock: 256 f_s, 384 f_s, 512 f_s, 768 f_s
With Autodetect
- Accepts 16-, 18-, 20-, and 24-Bit Audio Data
- Data Formats: Standard, I²S, and Left-Justified
- User-Programmable Mode Controls:
 - Digital Attenuation: 0 dB to –63 dB,
0.5 dB/Step
 - Digital De-Emphasis
 - Digital Filter Rolloff: Sharp or Slow
 - Soft Mute
 - Zero Flags for Each Output
- Dual-Supply Operation:
 - 5-V Analog
 - 3.3-V Digital
- 5-V Tolerant Digital Inputs
- Small SSOP-16 Package

APPLICATIONS

- AV Receivers
- DVD Movie Players
- DVD Add-On Cards for High-End PCs
- HDTV Receivers
- Car Audio Systems
- Other Applications Requiring 24-Bit Audio

DESCRIPTION

The PCM1748 is a CMOS, monolithic, integrated circuit which includes stereo digital-to-analog converters (DAC) and support circuitry in a small SSOP-16 package. The data converters use Texas Instruments' enhanced multilevel delta-sigma architecture that employs fourth-order noise shaping and 8-level amplitude quantization to achieve excellent dynamic performance and improved tolerance to clock jitter. The PCM1748 accepts industry-standard audio data formats with 16- to 24-bit data, providing easy interfacing to audio DSP and decoder chips. Sampling rates up to 100 kHz are supported. A full set of user-programmable functions is accessible through a 3-wire serial-control port that supports register write functions.



Please be aware that an important notice concerning availability, standard warranty, and use in critical applications of Texas Instruments semiconductor products and disclaimers thereto appears at the end of this data sheet.

FilterPro is a trademark of Texas Instruments.

System Two, Audio Precision are trademarks of Audio Precision, Inc.

All trademarks are the property of their respective owners.

ABSOLUTE MAXIMUM RATINGS⁽¹⁾

over operating free-air temperature range (unless otherwise noted)

| | |
|--|-------------------------|
| Power supply voltage, V_{DD} | –0.3 to 4 V |
| Power supply voltage, V_{CC} | –0.3 to 6.5 V |
| Supply voltage difference, V_{CC} , V_{DD} | $V_{CC} - V_{DD} < 3$ V |
| Ground voltage differences | ± 0.1 V |
| Digital input voltage | –0.3 V to 6.5 V |
| Input current (except power supply) | ± 10 mA |
| Ambient temperature under bias | –40°C to 125°C |
| Storage temperature, T_{stg} | –55°C to 150°C |
| Junction temperature, T_J | 150°C |
| Lead temperature (soldering) | 260°C, 5 s |
| Package temperature (IR reflow, peak) | 235°C |

(1) Stresses beyond those listed under "absolute maximum ratings" may cause permanent damage to the device. These are stress ratings only, and functional operation of the device at these or any other conditions beyond those indicated under "recommended operating conditions" is not implied. Exposure to absolute-maximum-rated conditions for extended periods may affect device reliability.

RECOMMENDED OPERATING CONDITIONS

over operating free-air temperature range

| | | MIN | NOM | MAX | UNIT |
|---------------------------------------|----------------|-------|-----|--------|------------|
| Digital supply voltage, V_{DD} | | 3 | 3.3 | 3.6 | V |
| Analog supply voltage, V_{CC} | | 4.5 | 5 | 5.5 | V |
| Digital input logic family | | TTL | | | |
| Digital input clock frequency | System clock | 8.192 | | 36.864 | MHz |
| | Sampling clock | 32 | | 96 | kHz |
| Analog output load resistance | | 5 | | | k Ω |
| Analog output load capacitance | | | | 50 | pF |
| Digital output load capacitance | | | | 20 | pF |
| Operating free-air temperature, T_A | | –25 | | 85 | °C |

ELECTRICAL CHARACTERISTICS

All specifications at $T_A = 25^\circ\text{C}$, $V_{CC} = 5$ V, $V_{DD} = 3.3$ V, $f_S = 44.1$ kHz, system clock = $384 f_S$, and 24-bit data, unless otherwise noted

| PARAMETER | | TEST CONDITIONS | MIN | TYP | MAX | UNIT |
|------------------------------|--------------------------|-----------------|---|-----|-----|------|
| RESOLUTION | | | | 24 | | Bits |
| DATA FORMAT | | | | | | |
| Audio data interface formats | | | Standard, I ² S, left-justified | | | |
| Audio data bit length | | | 16-, 18-, 20-, 24-bit selectable | | | |
| Audio data format | | | MSB-first, binary 2s complement | | | |
| f_S | Sampling frequency | | 5 | | 100 | kHz |
| System clock frequency | | | 256 f_S , 384 f_S , 512 f_S , 768 f_S | | | |
| DIGITAL INPUT/OUTPUT | | | | | | |
| Logic family | | | TTL-compatible | | | |
| Input Logic Level | | | | | | |
| V_{IH} | High-level input voltage | | 2 | | | VDC |
| V_{IL} | Low-level input voltage | | | | 0.8 | VDC |

ELECTRICAL CHARACTERISTICS (continued)

All specifications at $T_A = 25^\circ\text{C}$, $V_{CC} = 5\text{ V}$, $V_{DD} = 3.3\text{ V}$, $f_S = 44.1\text{ kHz}$, system clock = $384 f_S$, and 24-bit data, unless otherwise noted

| PARAMETER | | TEST CONDITIONS | MIN | TYP | MAX | UNIT |
|--|--|---|-----|-----------|----------|---------------|
| Input Logic Current | | | | | | |
| I_{IH} | High-level input current ⁽¹⁾ | $V_{IN} = V_{DD}$ | | | 10 | μA |
| I_{IL} | Low-level input current ⁽¹⁾ | $V_{IN} = 0\text{ V}$ | | | -10 | μA |
| I_{IH} | High-level input current ⁽²⁾ | $V_{IN} = V_{DD}$ | | 65 | 100 | μA |
| I_{IL} | Low-level input current ⁽²⁾ | $V_{IN} = 0\text{ V}$ | | | -10 | μA |
| Output Logic Level | | | | | | |
| V_{OH} | High-level output voltage ⁽³⁾ | $I_{OH} = -2\text{ mA}$ | 2.4 | | | VDC |
| V_{OL} | Low-level output voltage ⁽³⁾ | $I_{OL} = 2\text{ mA}$ | | | 1 | VDC |
| DYNAMIC PERFORMANCE⁽⁴⁾ | | | | | | |
| PCM1748E | | | | | | |
| THD+N | Total harmonic distortion + noise | $V_{OUT} = 0\text{ dB}$, $f_S = 44.1\text{ kHz}$ | | 0.003% | 0.008% | |
| | | $V_{OUT} = 0\text{ dB}$, $f_S = 96\text{ kHz}$ | | 0.004% | | |
| | | $V_{OUT} = -60\text{ dB}$, $f_S = 44.1\text{ kHz}$ | | 1.2% | | |
| | | $V_{OUT} = -60\text{ dB}$, $f_S = 96\text{ kHz}$ | | 1.6% | | |
| Dynamic range | | EIAJ, A-weighted, $f_S = 44.1\text{ kHz}$ | 94 | 100 | | dB |
| | | A-weighted, $f_S = 96\text{ kHz}$ | | 98 | | |
| SNR | Signal-to-noise ratio | EIAJ, A-weighted, $f_S = 44.1\text{ kHz}$ | 94 | 100 | | dB |
| | | A-weighted, $f_S = 96\text{ kHz}$ | | 98 | | |
| Channel separation | | $f_S = 44.1\text{ kHz}$ | 91 | 98 | | dB |
| | | $f_S = 96\text{ kHz}$ | | 96 | | |
| Level linearity error | | $V_{OUT} = -90\text{ dB}$ | | ± 0.5 | | dB |
| PCM1748KE | | | | | | |
| THD+N | Total harmonic distortion + noise | $V_{OUT} = 0\text{ dB}$, $f_S = 44.1\text{ kHz}$ | | 0.002% | 0.006% | |
| | | $V_{OUT} = 0\text{ dB}$, $f_S = 96\text{ kHz}$ | | 0.003% | | |
| | | $V_{OUT} = -60\text{ dB}$, $f_S = 44.1\text{ kHz}$ | | 0.65% | | |
| | | $V_{OUT} = -60\text{ dB}$, $f_S = 96\text{ kHz}$ | | 0.8% | | |
| Dynamic range | | EIAJ, A-weighted, $f_S = 44.1\text{ kHz}$ | 100 | 106 | | dB |
| | | A-weighted, $f_S = 96\text{ kHz}$ | | 104 | | |
| SNR | Signal-to-noise ratio | EIAJ, A-weighted, $f_S = 44.1\text{ kHz}$ | 100 | 106 | | dB |
| | | A-weighted, $f_S = 96\text{ kHz}$ | | 104 | | |
| Channel separation | | $f_S = 44.1\text{ kHz}$ | 97 | 103 | | dB |
| | | $f_S = 96\text{ kHz}$ | | 101 | | |
| Level linearity error | | $V_{OUT} = -90\text{ dB}$ | | ± 0.5 | | dB |
| DC ACCURACY | | | | | | |
| | Gain error | | | ± 1 | ± 6 | % of FSR |
| | Gain mismatch, channel-to-channel | | | ± 1 | ± 3 | % of FSR |
| | Bipolar zero error | $V_{OUT} = 0.5 V_{CC}$ at bipolar zero | | ± 30 | ± 60 | mV |

(1) Pins 1, 2, 3, 16 (BCK, DATA, LRCK, SCK)

(2) Pins 13–15 (MD, MC, ML)

(3) Pins 11, 12 (ZEROR, ZEROL)

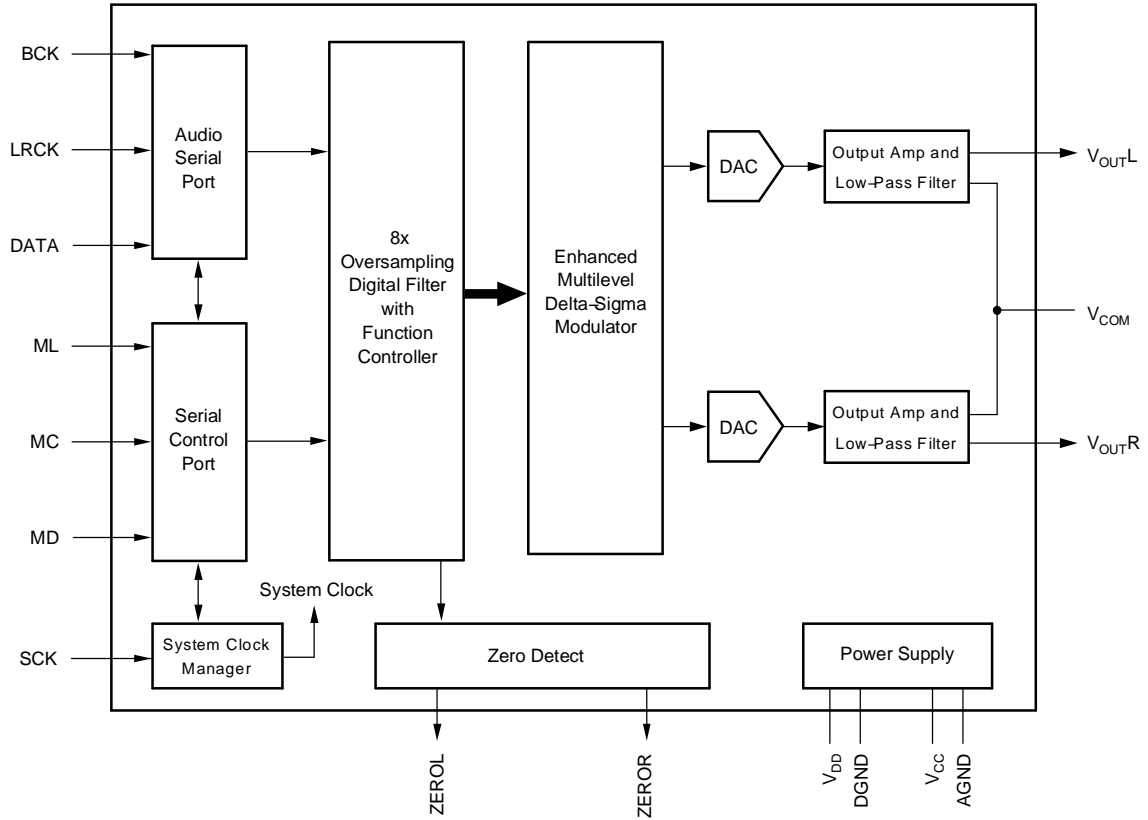
(4) Analog performance specifications are tested with a Shibasaki #725 THD meter with 400-Hz HPF on, 30-kHz LPF on, and an average mode with 20-kHz bandwidth limiting. The load connected to the analog output is $5\text{ k}\Omega$ or larger, via capacitive coupling.

ELECTRICAL CHARACTERISTICS (continued)

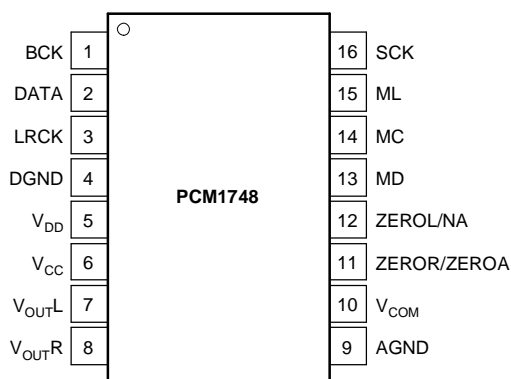
All specifications at $T_A = 25^\circ\text{C}$, $V_{CC} = 5\text{ V}$, $V_{DD} = 3.3\text{ V}$, $f_S = 44.1\text{ kHz}$, system clock = $384 f_S$, and 24-bit data, unless otherwise noted

| PARAMETER | | TEST CONDITIONS | MIN | TYP | MAX | UNIT |
|--|-----------------------|-------------------------|-------------|---------------|-------------|--------------------|
| ANALOG OUTPUT | | | | | | |
| Output voltage | | Full scale (0 dB) | | $0.62 V_{CC}$ | | Vp-p |
| Center voltage | | | | $0.5 V_{CC}$ | | VDC |
| Load impedance | | AC load | 5 | | | k Ω |
| DIGITAL FILTER PERFORMANCE | | | | | | |
| Filter Characteristics, Sharp Rolloff | | | | | | |
| Pass band | | $\pm 0.03\text{ dB}$ | | | $0.454 f_S$ | |
| Pass band | | -3 dB | | | $0.487 f_S$ | |
| Stop band | | | $0.546 f_S$ | | | |
| Pass-band ripple | | | | | ± 0.03 | dB |
| Stop-band attenuation | | Stop band = $0.546 f_S$ | -50 | | | dB |
| | | Stop band = $0.567 f_S$ | -55 | | | |
| Filter Characteristics, Slow Rolloff | | | | | | |
| Pass band | | $\pm 0.5\text{ dB}$ | | | $0.198 f_S$ | |
| Pass band | | -3 dB | | | $0.39 f_S$ | |
| Stop band | | | $0.884 f_S$ | | | |
| Pass-band ripple | | | | | ± 0.5 | dB |
| Stop-band attenuation | | Stop band = $0.884 f_S$ | -40 | | | dB |
| Delay time | | | | $20/f_S$ | | s |
| De-emphasis error | | | | ± 0.1 | | dB |
| ANALOG FILTER PERFORMANCE | | | | | | |
| Frequency response | | $f = 20\text{ kHz}$ | | -0.03 | | dB |
| | | $f = 44\text{ kHz}$ | | -0.20 | | |
| POWER SUPPLY REQUIREMENTS | | | | | | |
| V_{DD} | Supply voltage | | 3 | 3.3 | 3.6 | VDC |
| V_{CC} | | | 4.5 | 5 | 5.5 | |
| I_{DD} | Supply current | $f_S = 44.1\text{ kHz}$ | | 6 | 10 | mA |
| | | $f_S = 96\text{ kHz}$ | | 13 | | |
| I_{CC} | | $f_S = 44.1\text{ kHz}$ | | 8.5 | 13 | |
| | | $f_S = 96\text{ kHz}$ | | 9 | | |
| Power dissipation | | $f_S = 44.1\text{ kHz}$ | | 62 | 98 | mW |
| | | $f_S = 96\text{ kHz}$ | | 88 | | |
| TEMPERATURE RANGE | | | | | | |
| T_A | Operation temperature | | -25 | | 85 | $^\circ\text{C}$ |
| θ_{JA} | Thermal resistance | | | 115 | | $^\circ\text{C/W}$ |

Functional Block Diagram



PIN ASSIGNMENTS



TERMINAL FUNCTIONS

| TERMINAL | | I/O | DESCRIPTION |
|-------------------|-----|-----|--|
| NAME | NO. | | |
| AGND | 9 | – | Analog ground |
| BCK | 1 | I | Audio data bit clock input ⁽¹⁾ |
| DATA | 2 | I | Audio data digital input ⁽¹⁾ |
| DGND | 4 | – | Digital ground |
| LRCK | 3 | I | L-channel and R-channel audio data latch enable input ⁽¹⁾ |
| MC | 14 | I | Mode control clock input ⁽²⁾ |
| MD | 13 | I | Mode control data input ⁽²⁾ |
| ML | 15 | I | Mode control latch input ⁽²⁾ |
| SCK | 16 | I | System clock input ⁽¹⁾ |
| V _{CC} | 6 | – | Analog power supply, 5-V |
| V _{COM} | 10 | – | Common voltage decoupling |
| V _{DD} | 5 | – | Digital power supply, 3.3-V |
| V _{OUTL} | 7 | O | Analog output for L-channel |
| V _{OUTR} | 8 | O | Analog output for R-channel |
| ZEROL/NA | 12 | O | Zero-flag output for L-channel/Not assigned |
| ZEROR/ZEROA | 11 | O | Zero-flag output for R-channel/Zero-flag output for L-/R-channels |

(1) Schmitt-trigger input, 5-V tolerant

(2) Schmitt-trigger input with internal pulldown, 5-V tolerant

TYPICAL PERFORMANCE CURVES

All specifications at $T_A = 25^\circ\text{C}$, $V_{CC} = 5\text{ V}$, $V_{DD} = 3.3\text{ V}$, $f_S = 44.1\text{ kHz}$, system clock = $384 f_S$, and 24-bit input data, unless otherwise noted

Digital Filter (De-Emphasis Off)

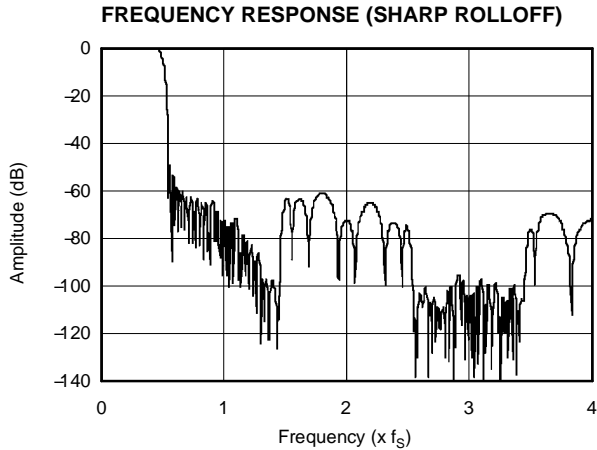


Figure 1.

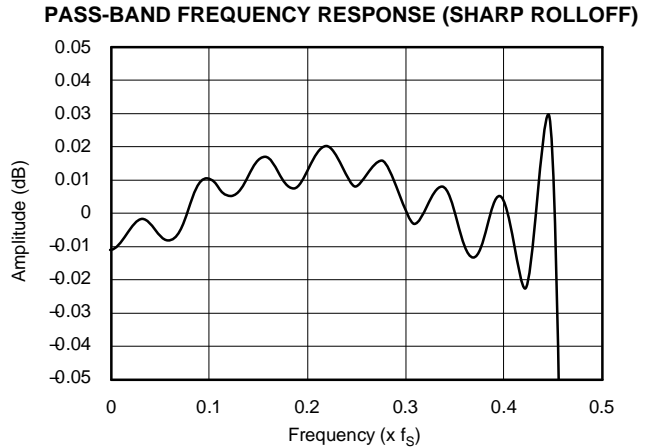


Figure 2.

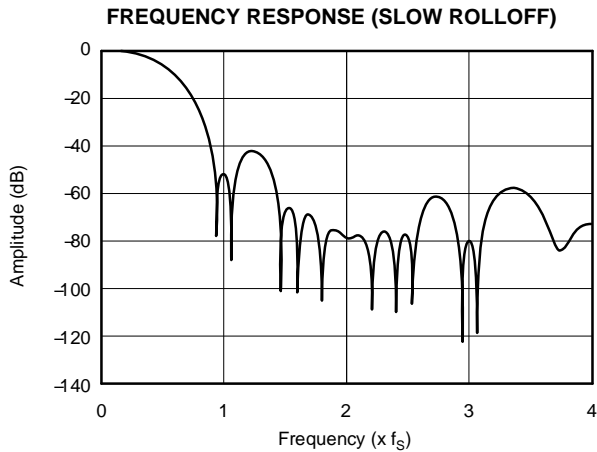


Figure 3.

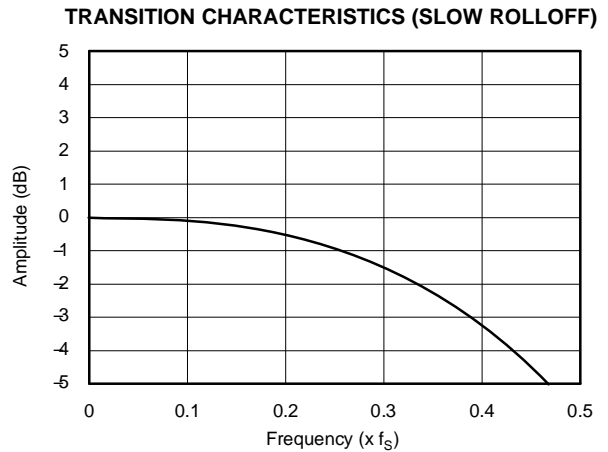


Figure 4.

TYPICAL PERFORMANCE CURVES (continued)

All specifications at $T_A = 25^\circ\text{C}$, $V_{CC} = 5\text{ V}$, $V_{DD} = 3.3\text{ V}$, $f_S = 44.1\text{ kHz}$, system clock = $384 f_S$, and 24-bit input data, unless otherwise noted

Digital Filter (De-Emphasis Curves)

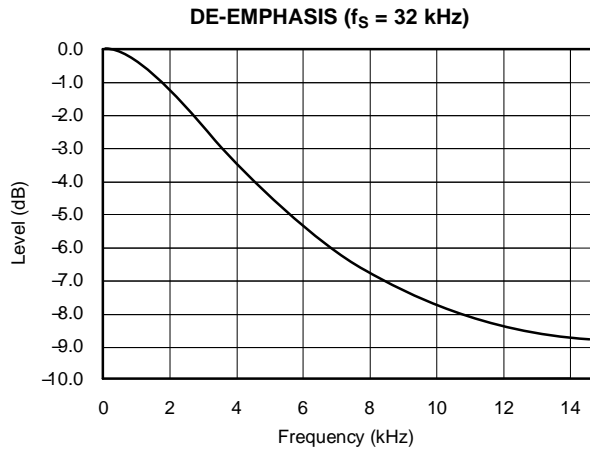


Figure 5.

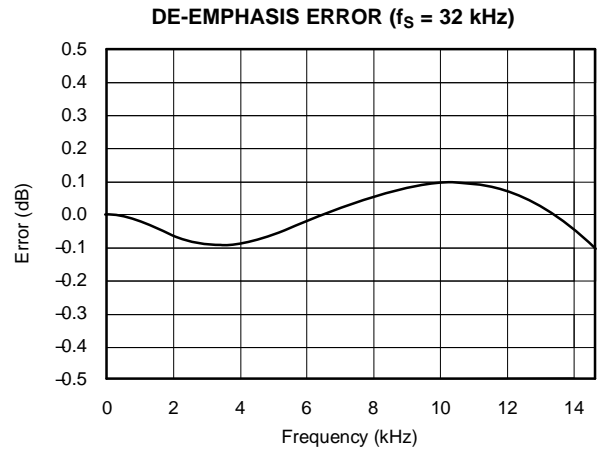


Figure 6.

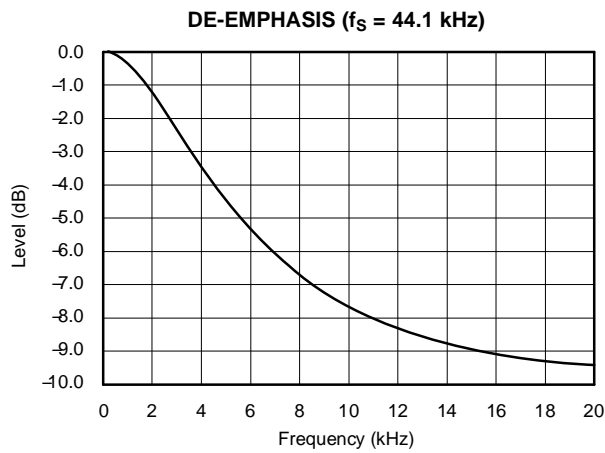


Figure 7.

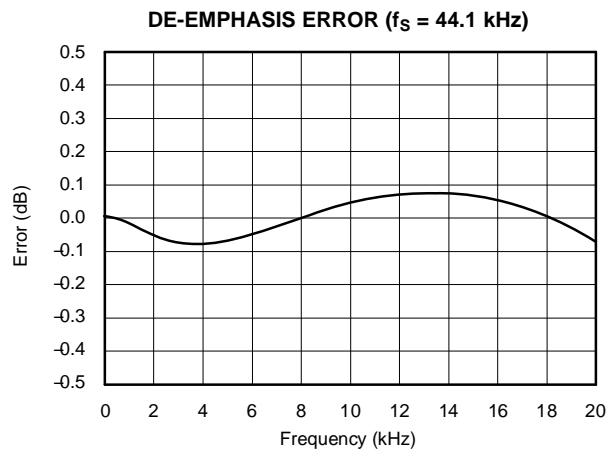


Figure 8.

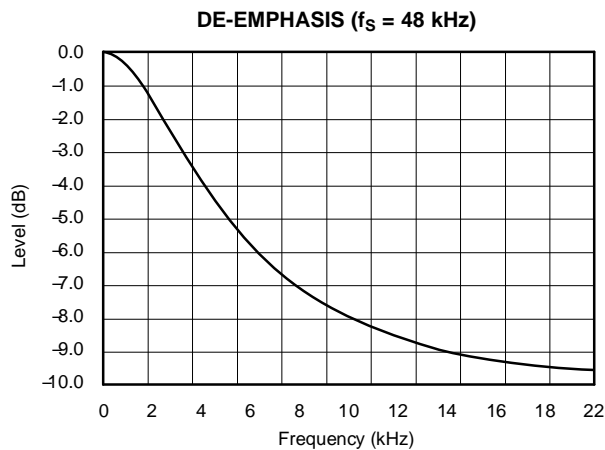


Figure 9.

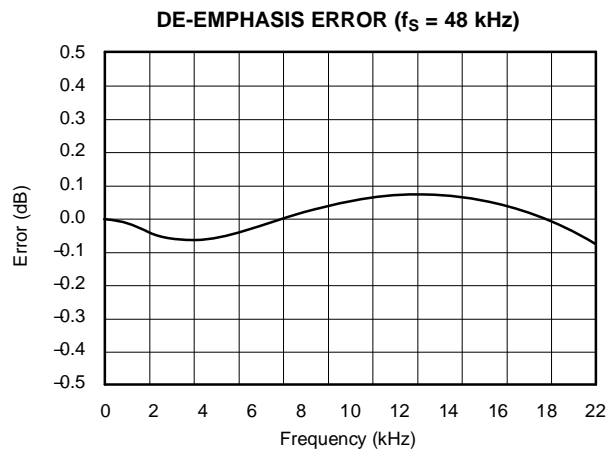


Figure 10.

TYPICAL PERFORMANCE CURVES (continued)

ANALOG DYNAMIC PERFORMANCE

All specifications at $T_A = 25^\circ\text{C}$, $V_{CC} = 5\text{ V}$, $V_{DD} = 3.3\text{ V}$, and 24-bit input data, unless otherwise noted

Supply-Voltage Characteristics

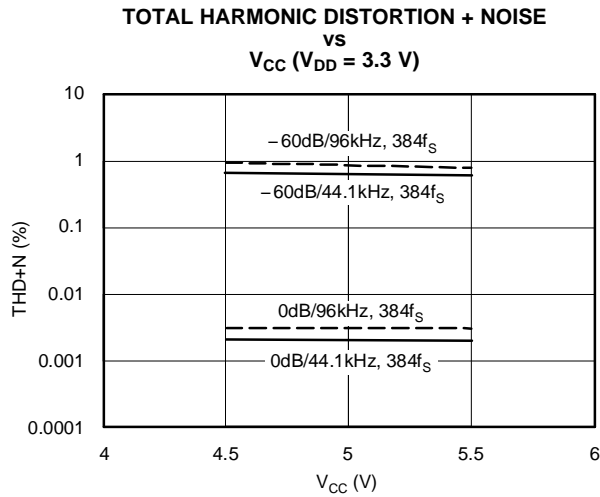


Figure 11.

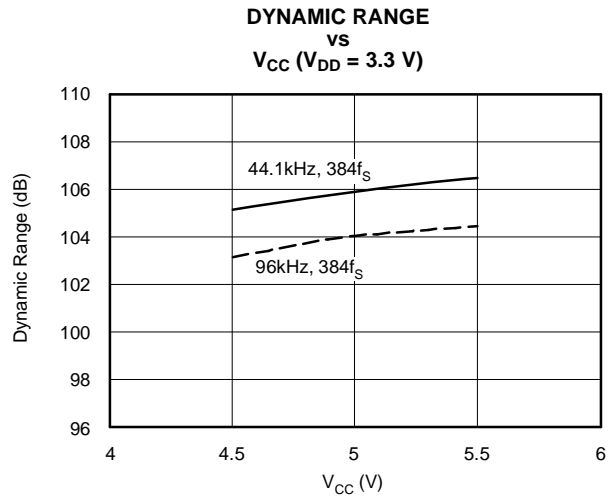


Figure 12.

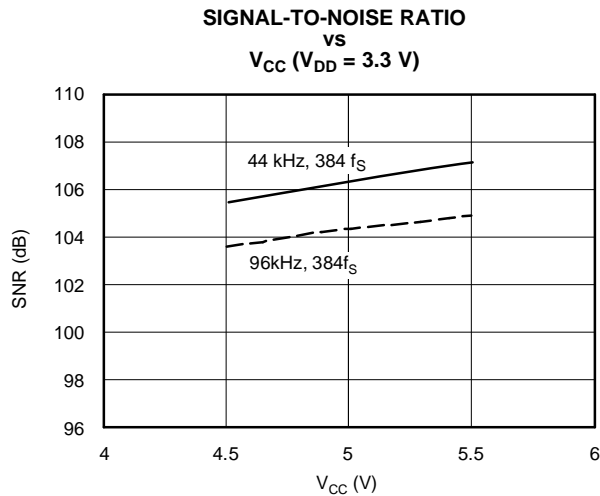


Figure 13.

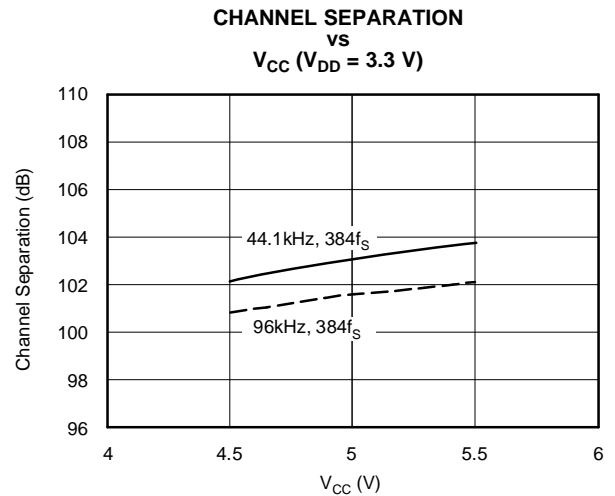


Figure 14.

TYPICAL PERFORMANCE CURVES (continued)

ANALOG DYNAMIC PERFORMANCE (continued)

All specifications at $T_A = 25^\circ\text{C}$, $V_{CC} = 5\text{ V}$, $V_{DD} = 3.3\text{ V}$, and 24-bit input data, unless otherwise noted

Temperature Characteristics

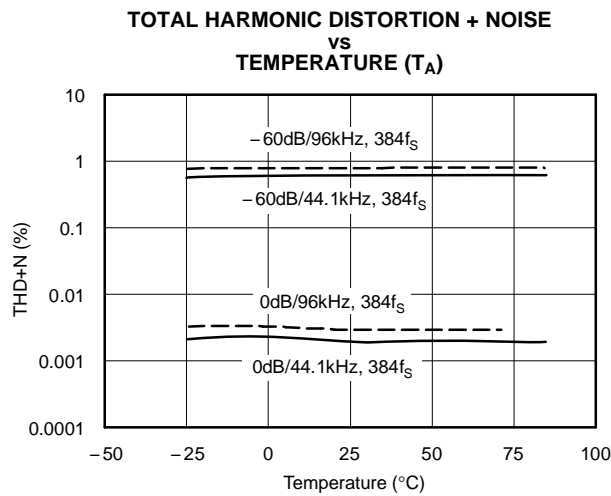


Figure 15.

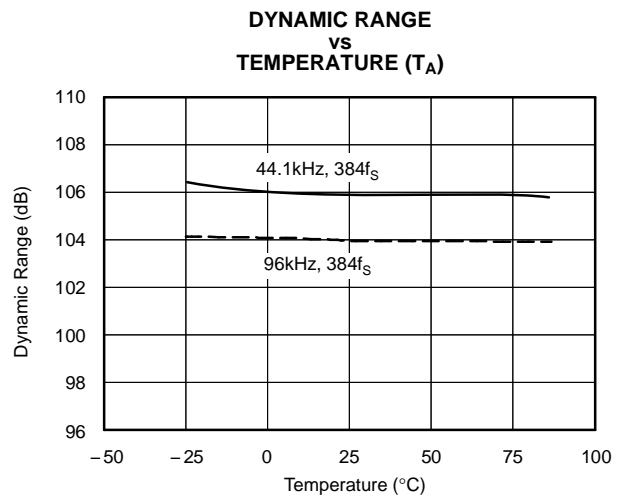


Figure 16.

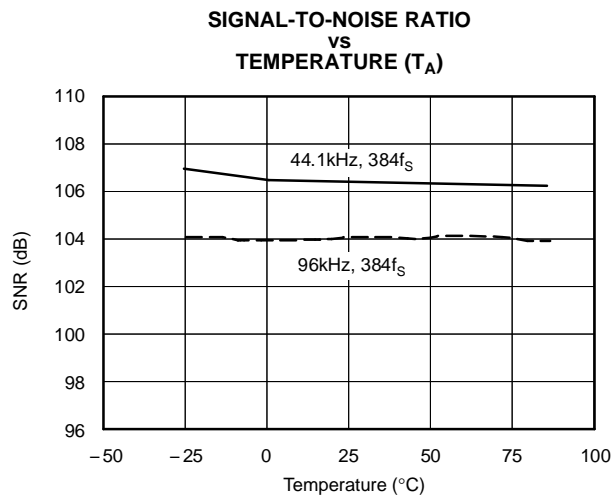


Figure 17.

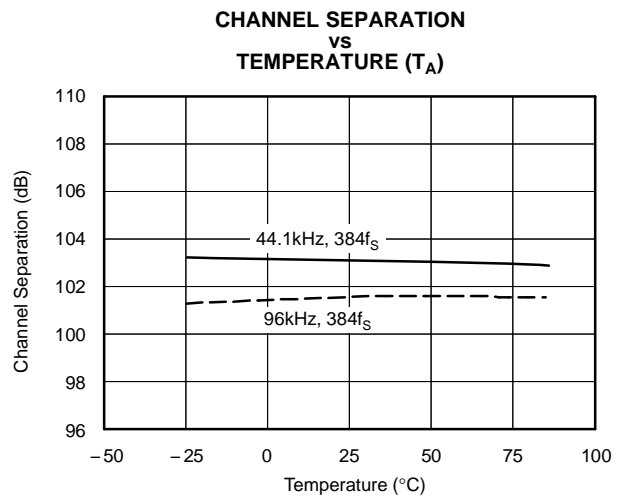


Figure 18.

SYSTEM CLOCK AND RESET FUNCTIONS

SYSTEM CLOCK INPUT

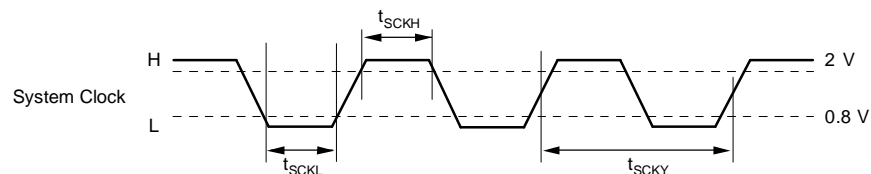
The PCM1748 requires a system clock for operating the digital interpolation filters and multilevel delta-sigma modulators. The system clock is applied at the SCK input (pin 16). Table 1 shows examples of system clock frequencies for common audio sampling rates.

Figure 19 shows the timing requirements for the system clock input. For optimal performance, it is important to use a clock source with low phase jitter and noise. The PLL1700 multiclock generator from Texas Instruments is an excellent choice for providing the PCM1748 system clock.

Table 1. System Clock Rates for Common Audio Sampling Frequencies

| SAMPLING FREQUENCY (kHz) | SYSTEM CLOCK FREQUENCY (f_{SCLK}) (MHz) | | | |
|--------------------------|---|-----------|-----------|-----------|
| | $256 f_S$ | $384 f_S$ | $512 f_S$ | $768 f_S$ |
| 8 | 2.048 | 3.072 | 4.096 | 6.144 |
| 16 | 4.096 | 6.144 | 8.192 | 12.288 |
| 32 | 8.192 | 12.288 | 16.384 | 24.576 |
| 44.1 | 11.2896 | 16.9344 | 22.5792 | 33.8688 |
| 48 | 12.288 | 18.432 | 24.576 | 36.864 |
| 88.2 | 22.5792 | 33.8688 | 45.1584 | (1) |
| 96 | 24.576 | 36.864 | 49.152 | (1) |

(1) This system clock is not supported for the given sampling frequency.



| SYMBOL | DESCRIPTION | MIN | MAX | UNIT |
|------------|--|-----|-----|------|
| t_{SCKY} | System clock cycle time ⁽¹⁾ | 20 | | ns |
| t_{SCKH} | System clock pulse duration, HIGH | 7 | | ns |
| t_{SCKL} | System clock pulse duration, LOW | 7 | | ns |

(1) $1/256 f_S$, $1/384 f_S$, $1/512 f_S$, or $1/768 f_S$

Figure 19. System Clock Input Timing

POWER-ON-RESET FUNCTIONS

The PCM1748 includes a power-on-reset function, as shown in Figure 20. With the system clock active, and $V_{DD} > 2\text{ V}$ (typical, 1.6 V to 2.4 V), the power-on-reset function is enabled. The initialization sequence requires 1024 system clocks from the time $V_{DD} > 2\text{ V}$. After the initialization period, the PCM1748 is set to its reset default state, as described in the *Mode Control Registers* section of this data sheet.

During the reset period (1024 system clocks), the analog outputs are forced to the bipolar zero level, or $V_{CC}/2$. After the reset period, all the mode control registers are initialized in the next $1/f_S$ period and, if SCK, BCK, and LRCK are provided continuously, the PCM1748 provides proper analog output with group delay corresponding to the input data.

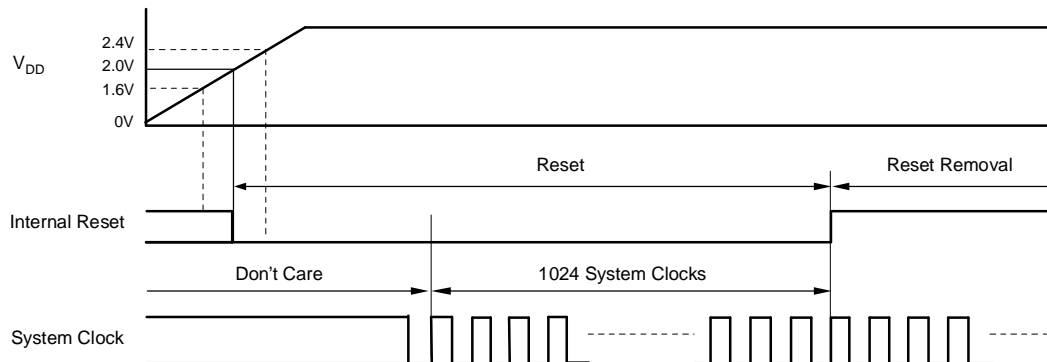


Figure 20. Power-On-Reset Timing

AUDIO SERIAL INTERFACE

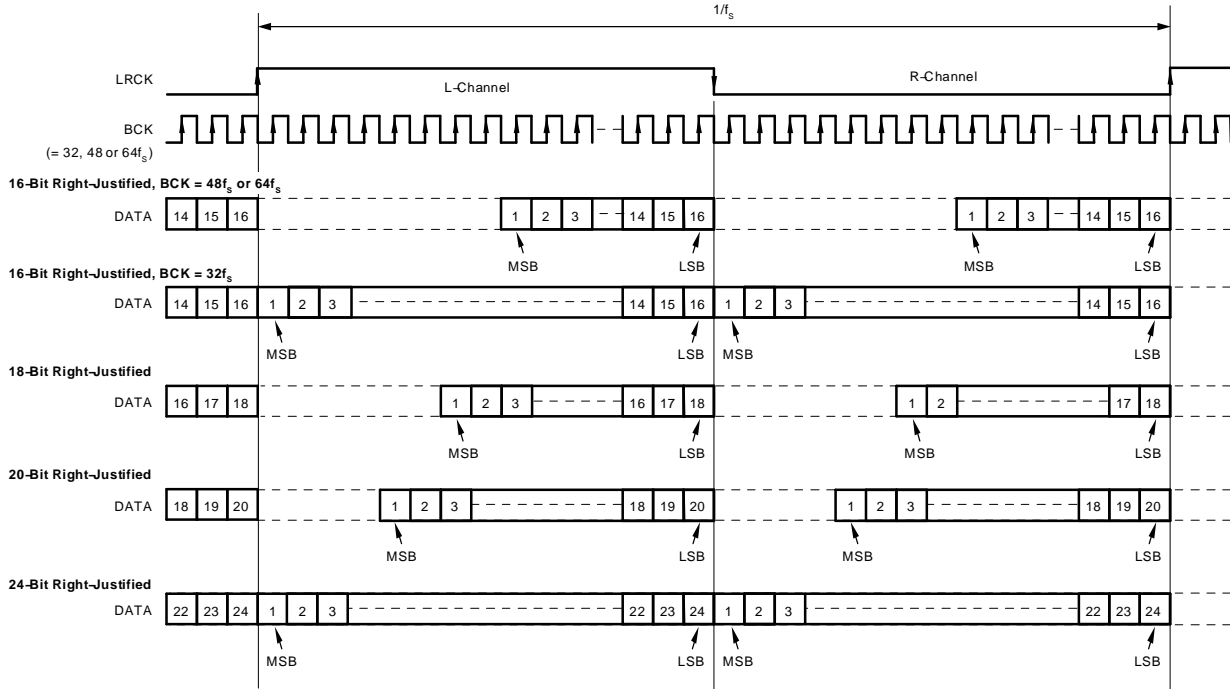
The audio serial interface for the PCM1748 comprises a 3-wire synchronous serial port. It includes LRCK (pin 3), BCK (pin 1), and DATA (pin 2). BCK is the serial audio bit clock, and is used to clock the serial data present on DATA into the audio interface serial shift register. Serial data is clocked into the PCM1748 on the rising edge of BCK. LRCK is the serial audio left/right word clock used to latch serial data into the serial audio interface internal registers.

Both LRCK and BCK should be synchronous to the system clock. Ideally, it is recommended that LRCK and BCK be derived from the system clock input, SCK. LRCK is operated at the sampling frequency, f_S . BCK can be operated at 32 (16-bit, right-justified only), 48, or 64 times the sampling frequency. Internal operation of the PCM1748 is synchronized with LRCK. Accordingly, internal operation of the device is suspended when the sampling rate clock of LRCK is changed or SCK and/or BCK is interrupted at least for a 3-bit clock cycle. If SCK, BCK, and LRCK are provided continuously after this suspended state, the internal operation is resynchronized automatically within a period of less than $3/f_S$. During this resynchronization period and for a $3/f_S$ time thereafter, the analog output is forced to the bipolar zero level, or $V_{CC}/2$. External resetting is not required.

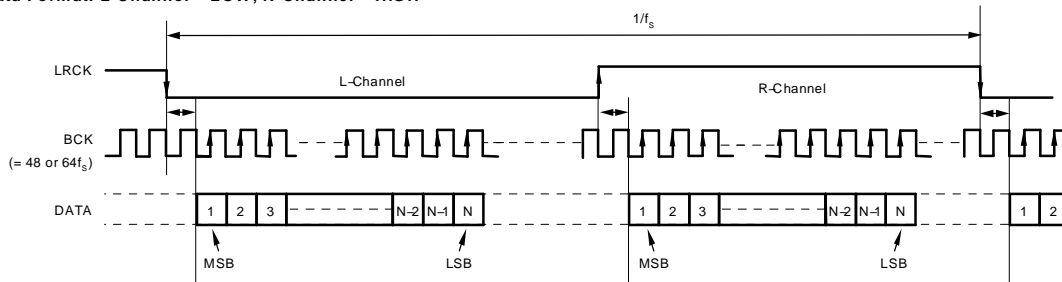
AUDIO DATA FORMATS AND TIMING

The PCM1748 supports industry-standard audio data formats, including standard, I^2S , and left-justified, as shown in Figure 21. Data formats are selected using the format bits, FMT[2:0], in control register 20. The default data format is 24-bit left justified. All formats require binary 2s complement, MSB-first audio data. See Figure 22 for a detailed timing diagram of the serial audio interface.

(1) Standard Data Format: L-Channel = HIGH, R-Channel = LOW



(2) I^2S Data Format: L-Channel = LOW, R-Channel = HIGH



(3) Left-Justified Data Format: L-Channel = HIGH, R-Channel = LOW

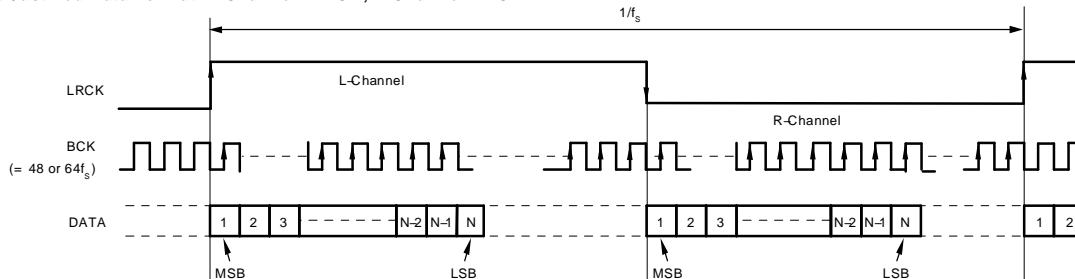
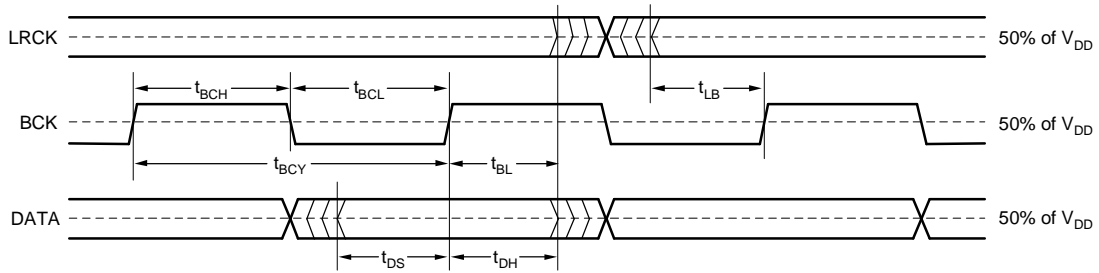


Figure 21. Audio Data Input Formats



| SYMBOL | DESCRIPTION | MIN | MAX | UNIT |
|-----------|--------------------------------------|--------------------|-----|------|
| t_{BCY} | BCK pulse cycle time | $1/(64 f_S)^{(1)}$ | | |
| t_{BCH} | BCK high-level time | 35 | | ns |
| t_{BCL} | BCK low-level time | 35 | | ns |
| t_{BL} | BCK rising edge to LRCK edge | 10 | | ns |
| t_{LB} | LRCK falling edge to BCK rising edge | 10 | | ns |
| t_{DS} | DATA setup time | 10 | | ns |
| t_{DH} | DATA hold time | 10 | | ns |

(1) f_S is the sampling frequency (e.g., 44.1 kHz, 48 kHz, 96 kHz, etc.).

Figure 22. Audio Interface Timing

SERIAL CONTROL INTERFACE

The serial control interface is a 3-wire serial port that operates asynchronously to the serial audio interface. The serial control interface is used to program the on-chip mode registers. The control interface includes MD (pin 13), MC (pin 14), and ML (pin 15). MD is the serial data input, used to program the mode registers; MC is the serial bit clock, used to shift data into the control port; and ML is the control port latch clock.

REGISTER WRITE OPERATION

All write operations for the serial control port use 16-bit data words. Figure 23 shows the control data word format. The most significant bit must be a 0. Seven bits, labeled $IDX[6:0]$, set the register index (or address) for the write operation. The least significant eight bits, $D[7:0]$, contain the data to be written to the register specified by $IDX[6:0]$.

Figure 24 shows the functional timing diagram for writing to the serial control port. ML is held at a logic-1 state until a register is to be written. To start the register write cycle, ML is set to logic-0. Sixteen clocks are then provided on MC, corresponding to the 16 bits of the control data word on MD. After the sixteenth clock cycle has completed, ML is set to logic-1 to latch the data into the indexed mode control register.

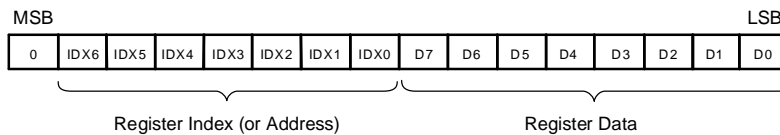


Figure 23. Control Data Word Format for MD

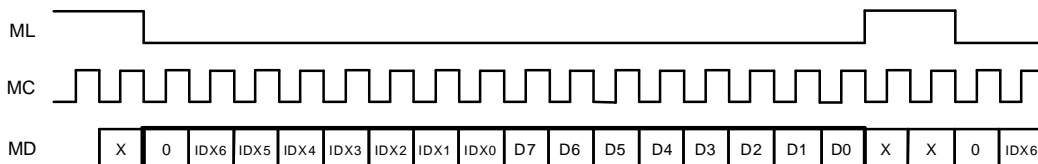
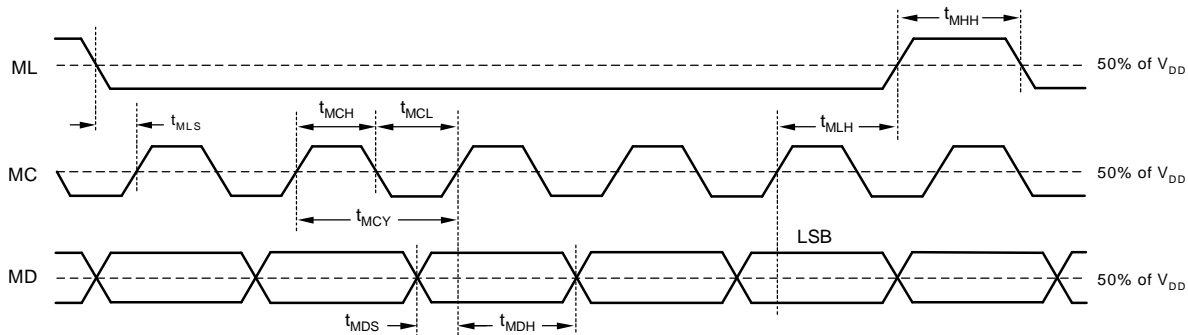


Figure 24. Register Write Operation

CONTROL INTERFACE TIMING REQUIREMENTS

See [Figure 25](#) for a detailed timing diagram of the serial control interface. These timing parameters are critical for proper control port operation.



| SYMBOL | PARAMETER | MIN | TYP | MAX | UNIT |
|-----------------|-----------------------------------|----------------------------|-----|-----|------|
| t_{MCY} | MC pulse cycle time | 100 | | | ns |
| t_{MCL} | MC low-level time | 50 | | | ns |
| t_{MCH} | MC high-level time | 50 | | | ns |
| t_{MHH} | ML high-level time | $3/(256 \times f_S)^{(2)}$ | | | ns |
| t_{MLS} | ML falling edge to MC rising edge | 20 | | | ns |
| $t_{MLH}^{(1)}$ | ML hold time ⁽¹⁾ | 20 | | | ns |
| t_{MDH} | MD hold time | 15 | | | ns |
| t_{MDS} | MD setup time | 20 | | | ns |

(1) MC rising edge for LSB to ML rising edge

(2) f_S = sampling rate

Figure 25. Control Interface Timing

MODE CONTROL REGISTERS

User-Programmable Mode Controls

The PCM1748 includes a number of user-programmable functions that are accessed via control registers. The registers are programmed using the serial control interface that was previously discussed in this data sheet. [Table 2](#) lists the available mode control functions, along with their reset default conditions and associated register index.

Table 2. User-Programmable Mode Controls

| FUNCTION | RESET DEFAULT | CONTROL REGISTER | INDEX IDX[6:0] |
|---|---------------------------|------------------|--------------------|
| Digital attenuation control, 0 dB to –63 dB in 0.5-dB steps | 0 dB, no attenuation | 16 and 17 | AT1[7:0], AT2[7:0] |
| Soft mute control | Mute disabled | 18 | MUT[2:0] |
| Oversampling rate control (64 f_S or 128 f_S) | 64- f_S oversampling | 18 | OVER |
| DAC operation control | DAC1 and DAC2 enabled | 19 | DAC[2:1] |
| De-emphasis function control | De-emphasis disabled | 19 | DM12 |
| De-emphasis sample rate selection | 44.1 kHz | 19 | DMF[1:0] |
| Audio data format control | 24-bit left-justified | 20 | FMT[2:0] |
| Digital filter rolloff control | Sharp rolloff | 20 | FLT |
| Zero flag function select | L-/R-channels independent | 22 | AZRO |
| Output phase select | Normal phase | 22 | DREV |
| Zero-flag polarity select | High | 22 | ZREV |

Register Map

The mode control register map is shown in Table 3. Each register includes an index (or address) indicated by the IDX[6:0] bits.

Table 3. Mode Control Register Map

| IDX (B14–B8) | REGISTER | B15 | B14 | B13 | B12 | B11 | B10 | B9 | B8 | B7 | B6 | B5 | B4 | B3 | B2 | B1 | B0 |
|--------------|----------|-----|------|------|------|------|------|------|------|--------------------|--------------------|--------------------|--------------------|--------------------|--------------------|--------------------|--------------------|
| 10h | 16 | 0 | IDX6 | IDX5 | IDX4 | IDX3 | IDX2 | IDX1 | IDX0 | AT17 | AT16 | AT15 | AT14 | AT13 | AT12 | AT11 | AT10 |
| 11h | 17 | 0 | IDX6 | IDX5 | IDX4 | IDX3 | IDX2 | IDX1 | IDX0 | AT27 | AT26 | AT25 | AT24 | AT23 | AT22 | AT21 | AT20 |
| 12h | 18 | 0 | IDX6 | IDX5 | IDX4 | IDX3 | IDX2 | IDX1 | IDX0 | RSV ⁽¹⁾ | OVER | RSV ⁽¹⁾ | RSV ⁽¹⁾ | RSV ⁽¹⁾ | RSV ⁽¹⁾ | MUT2 | MUT1 |
| 13h | 19 | 0 | IDX6 | IDX5 | IDX4 | IDX3 | IDX2 | IDX1 | IDX0 | RSV ⁽¹⁾ | DMF1 | DMF0 | DM12 | RSV ⁽¹⁾ | RSV ⁽¹⁾ | DAC2 | DAC1 |
| 14h | 20 | 0 | IDX6 | IDX5 | IDX4 | IDX3 | IDX2 | IDX1 | IDX0 | RSV ⁽¹⁾ | RSV ⁽¹⁾ | FLT | RSV ⁽¹⁾ | RSV ⁽¹⁾ | FMT2 | FMT1 | FMT0 |
| 15h | 21 | 0 | IDX6 | IDX5 | IDX4 | IDX3 | IDX2 | IDX1 | IDX0 | RSV ⁽¹⁾ | RSV ⁽¹⁾ | RSV ⁽¹⁾ | RSV ⁽¹⁾ | RSV ⁽¹⁾ | RSV ⁽¹⁾ | RSV ⁽¹⁾ | RSV ⁽¹⁾ |
| 16h | 22 | 0 | IDX6 | IDX5 | IDX4 | IDX3 | IDX2 | IDX1 | IDX0 | RSV ⁽¹⁾ | RSV ⁽¹⁾ | RSV ⁽¹⁾ | RSV ⁽¹⁾ | RSV ⁽¹⁾ | AZRO | ZREV | DREV |

(1) Reserved for test operation. It should be set to 0 during normal operation.

REGISTER DEFINITIONS

| | B15 | B14 | B13 | B12 | B11 | B10 | B9 | B8 | B7 | B6 | B5 | B4 | B3 | B2 | B1 | B0 |
|-------------|-----|------|------|------|------|------|------|------|------|------|------|------|------|------|------|------|
| REGISTER 16 | 0 | IDX6 | IDX5 | IDX4 | IDX3 | IDX2 | IDX1 | IDX0 | AT17 | AT16 | AT15 | AT14 | AT13 | AT12 | AT11 | AT10 |
| REGISTER 17 | 0 | IDX6 | IDX5 | IDX4 | IDX3 | IDX2 | IDX1 | IDX0 | AT27 | AT26 | AT25 | AT24 | AT23 | AT22 | AT21 | AT20 |

ATx[7:0] – Digital Attenuation Level Setting

where x = 1 or 2, corresponding to the DAC output V_{OUTL} (x = 1) and V_{OUTR} (x = 2).

Default value: 1111 1111b

Each DAC channel (V_{OUTL} and V_{OUTR}) includes a digital attenuator function. The attenuation level can be set from 0 dB to –63 dB in 0.5-dB steps. Changes in attenuation levels are made by incrementing or decrementing, by one step (0.5 dB), for every 8/f_s time interval until the programmed attenuator setting is reached. Alternatively, the attenuation level can be set to infinite attenuation, or mute. The attenuation data for each channel can be set individually.

The attenuation level is calculated using the following formula:

$$\text{Attenuation level (dB)} = 0.5 (\text{ATx}[7:0]_{\text{DEC}} - 255)$$

where ATx[7:0]_{DEC} = 0 through 255.

For ATx[7:0]_{DEC} = 0 through 128, the attenuator is set to infinite attenuation.

The following table shows attenuator levels for various settings.

| ATx[7:0] | DECIMAL VALUE | ATTENUATOR LEVEL SETTING |
|------------|---------------|--------------------------------|
| 1111 1111b | 255 | 0 dB, no attenuation (default) |
| 1111 1110b | 254 | –0.5 dB |
| 1111 1101b | 253 | –1 dB |
| : | : | : |
| 1000 0011b | 131 | –62 dB |
| 1000 0010b | 130 | –62.5 dB |
| 1000 0001b | 129 | –63 dB |
| 1000 0000b | 128 | Mute |
| : | : | : |
| 0000 0000b | 0 | Mute |

| | | | | | | | | | | | | | | | | |
|-------------|-----|------|------|------|------|------|------|------|-----|------|-----|-----|-----|-----|------|------|
| | B15 | B14 | B13 | B12 | B11 | B10 | B9 | B8 | B7 | B6 | B5 | B4 | B3 | B2 | B1 | B0 |
| REGISTER 18 | 0 | IDX6 | IDX5 | IDX4 | IDX3 | IDX2 | IDX1 | IDX0 | RSV | OVER | RSV | RSV | RSV | RSV | MUT2 | MUT1 |

MUTx – Soft Mute Control

where x = 1 or 2, corresponding to the DAC output V_{OUTL} (x = 1) and V_{OUTR} (x = 2)

Default value: 0

| | |
|----------|-------------------------|
| MUTx = 0 | Mute disabled (default) |
| MUTx = 1 | Mute enabled |

The mute bits, MUT1 and MUT2, are used to enable or disable the soft mute function for the corresponding DAC outputs, V_{OUTL} and V_{OUTR}. The soft mute function is incorporated into the digital attenuators. When mute is disabled (MUTx = 0), the attenuator and DAC operate normally. When mute is enabled by setting MUTx = 1, the digital attenuator for the corresponding output is decreased from the current setting to the infinite attenuation setting by one attenuator step (0.5 dB) at a time for every 8/f_S period. This provides a quiet, pop-free muting of the DAC output.

By setting MUTx = 0, the attenuator is increased by one step for every 8/f_S period to the previously programmed attenuation level.

OVER – Oversampling Rate Control

Default value: 0

| | |
|----------|----------------------------|
| OVER = 0 | 64x oversampling (default) |
| OVER = 1 | 128x oversampling |

The OVER bit is used to control the oversampling rate of the delta-sigma DACs.

| | | | | | | | | | | | | | | | | |
|-------------|-----|------|------|------|------|------|------|------|-----|------|------|------|-----|-----|------|------|
| | B15 | B14 | B13 | B12 | B11 | B10 | B9 | B8 | B7 | B6 | B5 | B4 | B3 | B2 | B1 | B0 |
| REGISTER 19 | 0 | IDX6 | IDX5 | IDX4 | IDX3 | IDX2 | IDX1 | IDX0 | RSV | DMF1 | DMF0 | DM12 | RSV | RSV | DAC2 | DAC1 |

DACx – DAC Operation Control

where $x = 1$ or 2 , corresponding to the DAC output V_{OUTL} ($x = 1$) or V_{OUTR} ($x = 2$)

Default value: 0

| | |
|----------|---------------------------------|
| DACx = 0 | DAC operation enabled (default) |
| DACx = 1 | DAC operation disabled |

The DAC operation controls are used to enable and disable the DAC outputs, V_{OUTL} and V_{OUTR} . When $DACx = 0$, the corresponding output generates the audio waveform dictated by the data present on the DATA pin. When $DACx = 1$, the corresponding output is set to the bipolar zero level, or $V_{CC}/2$.

DM12 – Digital De-Emphasis Function Control

Default value: 0

| | |
|----------|--------------------------------|
| DM12 = 0 | De-emphasis disabled (default) |
| DM12 = 1 | De-emphasis enabled |

The DM12 bit is used to enable or disable the digital de-emphasis function. Refer to the *Typical Performance Curves* section of this data sheet for more information.

DMF[1:0] – Sampling Frequency Selection for the De-Emphasis Function

Default value: 00

| DMF[1:0] | De-Emphasis Sample Rate Selection |
|----------|-----------------------------------|
| 00 | 44.1 kHz (default) |
| 01 | 48 kHz |
| 10 | 32 kHz |
| 11 | Reserved |

The DMF[1:0] bits select the sampling frequency used for the digital de-emphasis function when it is enabled.

| | | | | | | | | | | | | | | | | |
|-------------|-----|------|------|------|------|------|------|------|-----|-----|-----|-----|-----|------|------|------|
| | B15 | B14 | B13 | B12 | B11 | B10 | B9 | B8 | B7 | B6 | B5 | B4 | B3 | B2 | B1 | B0 |
| REGISTER 20 | 0 | IDX6 | IDX5 | IDX4 | IDX3 | IDX2 | IDX1 | IDX0 | RSV | RSV | FLT | RSV | RSV | FMT2 | FMT1 | FMT0 |

FMT[2:0] – Audio Interface Data Format

Default value: 101

The FMT[2:0] bits are used to select the data format for the serial audio interface. The following table shows the available format options.

| FMT[2:0] | Audio Data Format Selection |
|----------|--|
| 000 | 24-bit standard format, right-justified data |
| 001 | 20-bit standard format, right-justified data |
| 010 | 18-bit standard format, right-justified data |
| 011 | 16-bit standard format, right-justified data |
| 100 | I ² S format, 16- to 24-bit |
| 101 | Left-justified format, 16- to 24-bit (default) |
| 110 | Reserved |
| 111 | Reserved |

FLT – Digital Filter Rolloff Control

Default value: 0

| | |
|---------|-------------------------|
| FLT = 0 | Sharp rolloff (default) |
| FLT = 1 | Slow rolloff |

The FLT bit allows users to select the digital filter rolloff that is best suited to their application. Two filter rolloff selections are available: sharp or slow. The filter responses for these selections are shown in the *Typical Performance Curves* section of this data sheet.

| | B15 | B14 | B13 | B12 | B11 | B10 | B9 | B8 | B7 | B6 | B5 | B4 | B3 | B2 | B1 | B0 |
|-------------|-----|------|------|------|------|------|------|------|-----|-----|-----|-----|-----|------|------|------|
| REGISTER 22 | 0 | IDX6 | IDX5 | IDX4 | IDX3 | IDX2 | IDX1 | IDX0 | RSV | RSV | RSV | RSV | RSV | AZRO | ZREV | DREV |

DREV – Output Phase Select

Default value: 0

| | |
|----------|-------------------------|
| DREV = 0 | Normal output (default) |
| DREV = 1 | Inverted output |

The DREV bit is used to set the output phase of V_{OUTL} and V_{OUTR} .

ZREV – Zero-Flag Polarity Select

Default value: 0

| | |
|----------|--|
| ZREV = 0 | Zero-flag pins HIGH at a zero detect (default) |
| ZREV = 1 | Zero-flag pins LOW at a zero detect |

The ZREV bit allows the user to select the active polarity of zero-flag pins.

AZRO – Zero-Flag Function Select

Default value: 0

| | | |
|----------|---|--|
| AZRO = 0 | L-/R-channel independent zero flags (default) | Pin 11: ZEROR = zero-flag output for R-channel Pin 12: ZEROL = zero flag output for L-channel |
| AZRO = 1 | L-/R-channel common zero flag | Pin 11: ZEROA = zero flag output for L-/R-channel Pin 12: NA, not assigned |

The AZRO bit allows the user to select the function of the zero-flag pins

ANALOG OUTPUTS

The PCM1748 includes two independent output channels: V_{OUTL} and V_{OUTR} . These are unbalanced outputs, each capable of driving 3.1 V_{p-p} typical into a 5-k Ω ac-coupled load. The internal output amplifiers for V_{OUTL} and V_{OUTR} are biased to the dc common-mode (or bipolar zero) voltage, equal to $V_{CC}/2$.

The output amplifiers include an RC continuous-time filter that helps to reduce the out-of-band noise energy present at the DAC outputs, due to the noise shaping characteristics of the PCM1748 delta-sigma DACs. The frequency response of this filter is shown in [Figure 26](#). By itself, this filter is not enough to attenuate the out-of-band noise to an acceptable level for many applications; therefore, an external low-pass filter is required to provide sufficient out-of-band noise rejection. Further discussion of DAC post-filter circuits is provided in the *Application Information* section of this data sheet.

ANALOG FILTER PERFORMANCE (100 Hz–10 MHz)

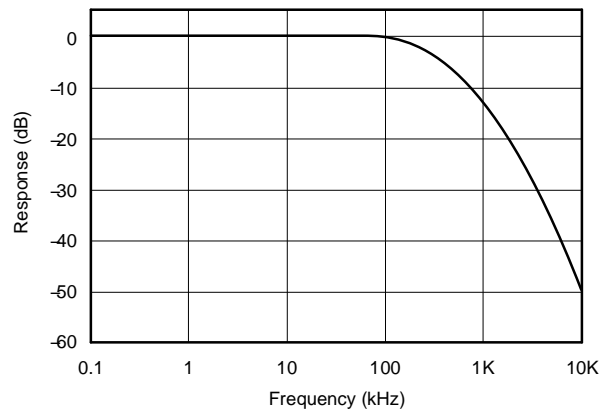
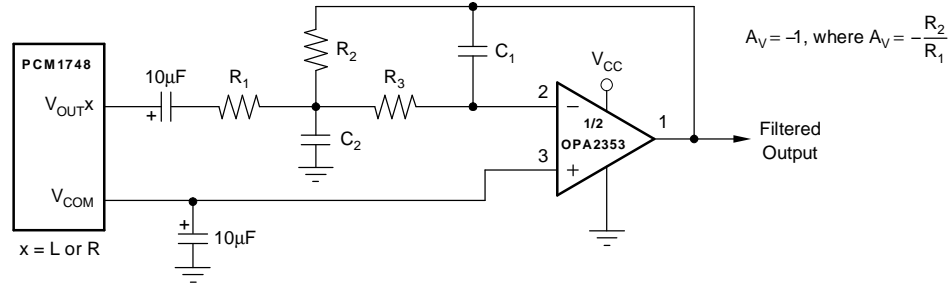


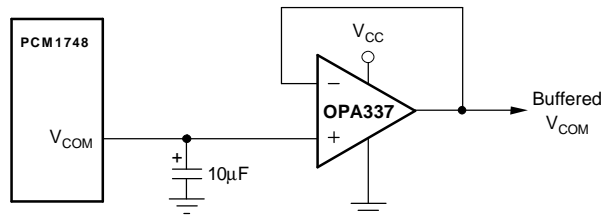
Figure 26. Output Filter Frequency Response

V_{COM} OUTPUT

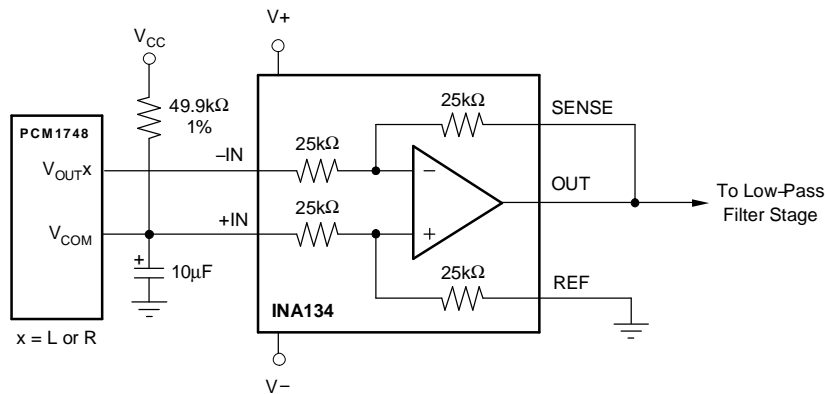
One unbuffered common-mode voltage output pin, V_{COM} (pin 10), is brought out for decoupling purposes. This pin is nominally biased to a dc voltage level equal to V_{CC}/2. This pin can be used to bias external circuits. An example of using the V_{COM} pin for external biasing applications is shown in Figure 27.



(a) Using V_{COM} to Bias a Single-Supply Filter Stage



(b) Using a Voltage Follower to Buffer V_{COM} when Biasing Multiple Nodes



(c) Using an INA134 for DC-Coupled Output

Figure 27. Biasing External Circuits Using the V_{COM} Pin

ZERO FLAGS

Zero-Detect Condition

Zero detection for each output channel is independent from the other. If the data for a given channel remains at a 0 level for 1024 sample periods (or LRCK clock periods), a zero-detect condition exists for that channel.

Zero Output Flags

Given that a zero-detect condition exists for one or more channels, the zero-flag pins for those channels are set to a logic-1 state. The zero-flag pins for each channel are ZEROL (pin 12) and ZEROR (pin 11). These pins can be used to operate external mute circuits, or used as status indicators for a microcontroller, audio signal processor, or other digitally controlled function.

The active polarity of the zero-flag output can be inverted by setting the ZREV bit of control register 22 to 1. The reset default is active-high output, or ZREV = 0.

The L-channel and R-channel common-zero flag can be selected by setting the AZRO bit of control register 22 to 1. The reset default is L-channel and R-channel independent zero flags, or AZRO = 0.

APPLICATION INFORMATION

Connection Diagram

A basic connection diagram is shown in Figure 28, with the necessary power-supply bypassing and decoupling components. Texas Instruments recommends using the component values shown in Figure 28 for all designs.

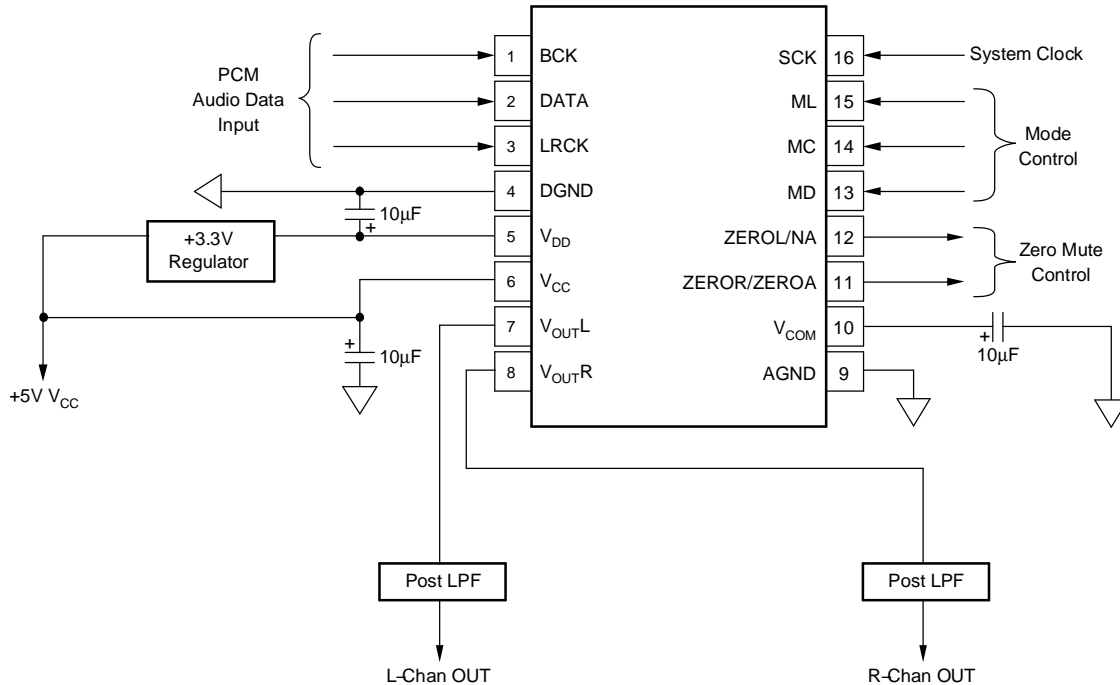


Figure 28. Basic Connection Diagram

The use of series resistors (22 Ω to 100 Ω) is recommended for the SCK, LRCK, BCK, and DATA inputs. The series resistor combines with stray PCB and device input capacitance to form a low-pass filter that reduces high-frequency noise emissions and helps to dampen glitches and ringing present on clock and data lines.

Power Supplies and Grounding

The PCM1748 requires a 5-V analog supply (V_{CC}) and a 3.3-V digital supply (V_{DD}). The 5-V supply is used to power the DAC analog and output filter circuitry, while the 3.3-V supply is used to power the digital filter and serial interface circuitry. For best performance, the 3.3-V supply should be derived from the 5-V supply using a linear regulator, as shown in Figure 28. The REG1117-3.3 from Texas Instruments is an ideal choice for this application.

Proper power-supply bypassing is shown in Figure 28. The 10- μ F capacitors should be tantalum or aluminum electrolytic.

DAC Output Filter Circuits

Delta-sigma DACs use noise-shaping techniques to improve in-band signal-to-noise ratio (SNR) performance at the expense of generating increased out-of-band noise above the Nyquist frequency, or $f_s/2$. The out-of-band noise must be low-pass filtered in order to provide optimal converter performance. This is accomplished by a combination of on-chip and external low-pass filtering.

Figure 27(a) and Figure 29 show the recommended external low-pass active filter circuits for single- and dual-supply applications. These circuits are second-order Butterworth filters using a multiple feedback (MFB) circuit arrangement that reduces sensitivity to passive component variations over frequency and temperature. For more information regarding MFB active filter design, see *FilterPro™ MFB and Sallen-Key Low-Pass Filter Design Program (SBFA001)*, available from the TI Web site at <http://www.ti.com>.

APPLICATION INFORMATION (continued)

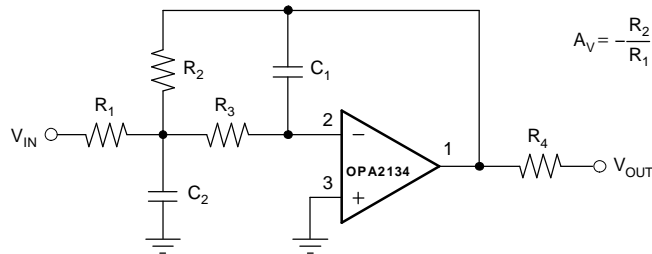


Figure 29. Dual-Supply Filter Circuit

Because the overall system performance is defined by the quality of the DACs and their associated analog output circuitry, high-quality audio operational amplifiers are recommended for the active filters. The OPA2353 and OPA2134 dual operational amplifiers from Texas Instruments are recommended for use with the PCM1748; see [Figure 27\(a\)](#) and [Figure 29](#).

PCB LAYOUT GUIDELINES

A typical PCB floor plan for the PCM1748 is shown in [Figure 30](#). A ground plane is recommended, with the analog and digital sections being isolated from one another using a split or cut in the circuit board. The PCM1748 should be oriented with the digital I/O pins facing the ground plane split/cut to allow for short, direct connections to the digital audio interface and control signals originating from the digital section of the board.

Separate power supplies are recommended for the digital and analog sections of the board. This prevents the switching noise present on the digital supply from contaminating the analog power supply and degrading the dynamic performance of the PCM1748. In cases where a common 5-V supply must be used for the analog and digital sections, an inductance (RF choke, ferrite bead) should be placed between the analog and digital 5-V supply connections to avoid coupling of the digital switching noise into the analog circuitry. [Figure 31](#) shows the recommended approach for single-supply applications.

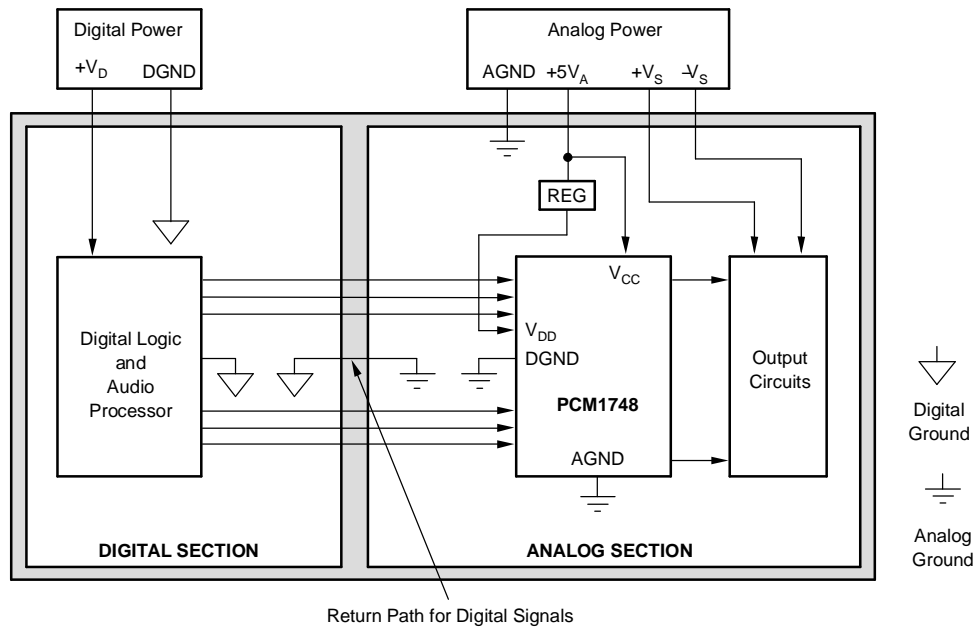


Figure 30. Recommended PCB Layout

APPLICATION INFORMATION (continued)

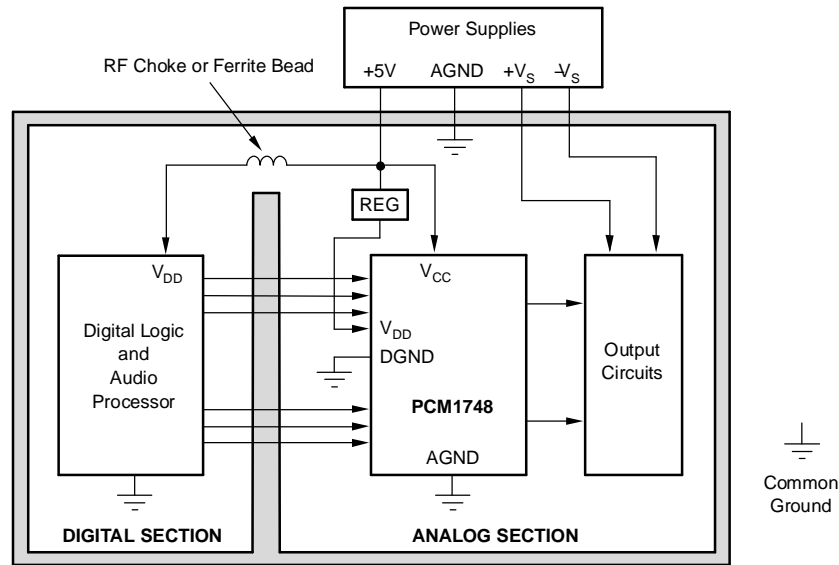


Figure 31. Single-Supply PCB Layout

THEORY OF OPERATION

The delta-sigma section of the PCM1748 is based on an 8-level amplitude quantizer and a fourth-order noise shaper. This section converts the oversampled input data to 8-level delta-sigma format. A block diagram of the 8-level delta-sigma modulator is shown in Figure 32. This 8-level delta-sigma modulator has the advantage of stability and clock jitter sensitivity over the typical one-bit (2-level) delta-sigma modulator. The combined oversampling rate of the delta-sigma modulator and the interpolation filter is $64 f_s$.

The theoretical quantization noise performance of the 8-level delta-sigma modulator is shown in Figure 33. The enhanced multilevel delta-sigma architecture also has advantages for input clock-jitter sensitivity due to the multilevel quantizer, with the simulated jitter sensitivity as shown in Figure 34.

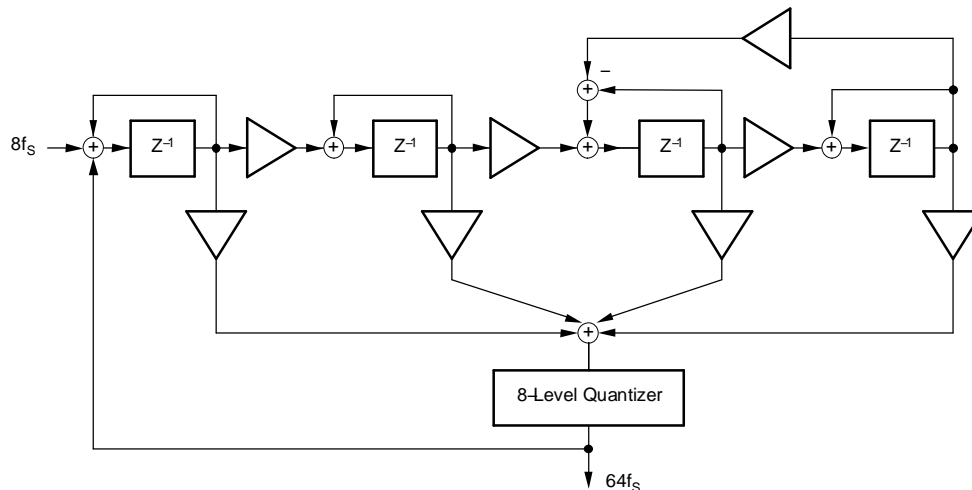


Figure 32. 8-Level Delta-Sigma Modulator

APPLICATION INFORMATION (continued)

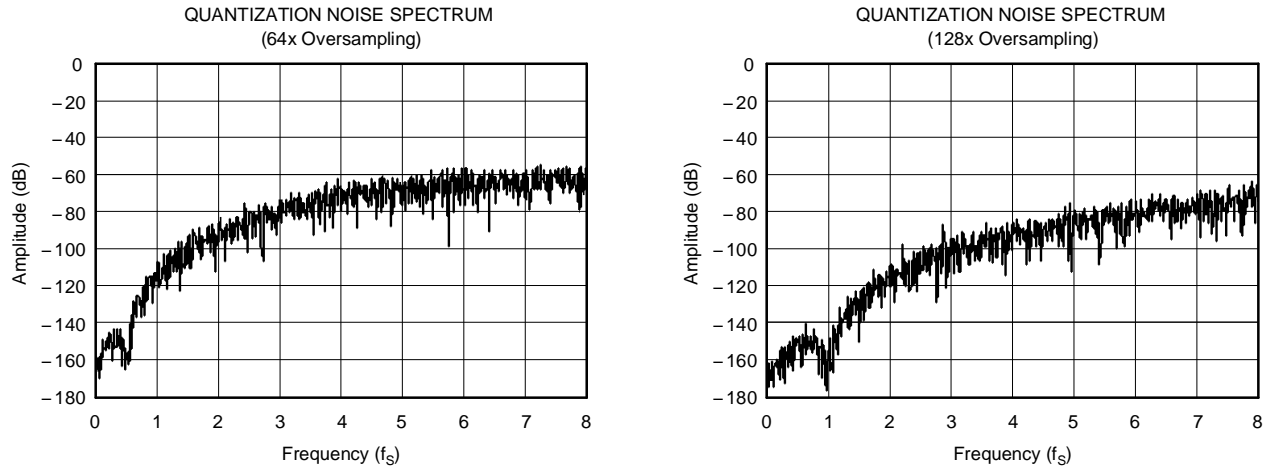


Figure 33. Quantization Noise Spectrum

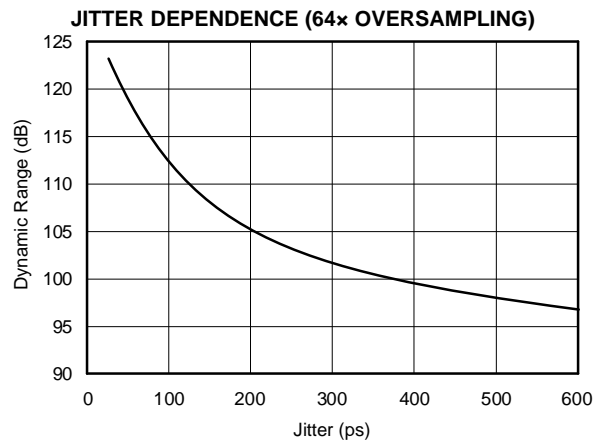


Figure 34. Jitter Sensitivity

KEY PERFORMANCE PARAMETERS AND MEASUREMENT

This section provides information on how to measure key dynamic performance parameters for the PCM1748. In all cases, a System Two™ Cascade audio measurement system by Audio Precision™, or equivalent, is used to perform the testing.

Total Harmonic Distortion + Noise

Total harmonic distortion + noise (THD+N) is a significant figure of merit for audio DACs, because it takes into account both harmonic distortion and all noise sources within a specified measurement bandwidth. The true rms value of the distortion and noise is referred to as THD+N. Figure 35 shows the test setup for THD+N measurements.

For the PCM1748, THD+N is measured with a full-scale, 1-kHz digital sine wave as the test stimulus at the input of the DAC. The digital generator is set to a 24-bit audio word length and a sampling frequency of 44.1 kHz or 96 kHz. The digital generator output is taken from the unbalanced S/PDIF connector of the measurement system. The S/PDIF data is transmitted via a coaxial cable to the digital audio receiver on the DEM-DAI1748 demonstration board. The receiver is then configured to output 24-bit data in either I²S or left-justified data format. The DAC audio interface format is programmed to match the receiver output format. The analog output is then taken from the DAC post filter and connected to the analog analyzer input of the measurement system. The analog input is band-limited using filters resident in the analyzer. The resulting THD+N is measured by the analyzer and displayed by the measurement system.

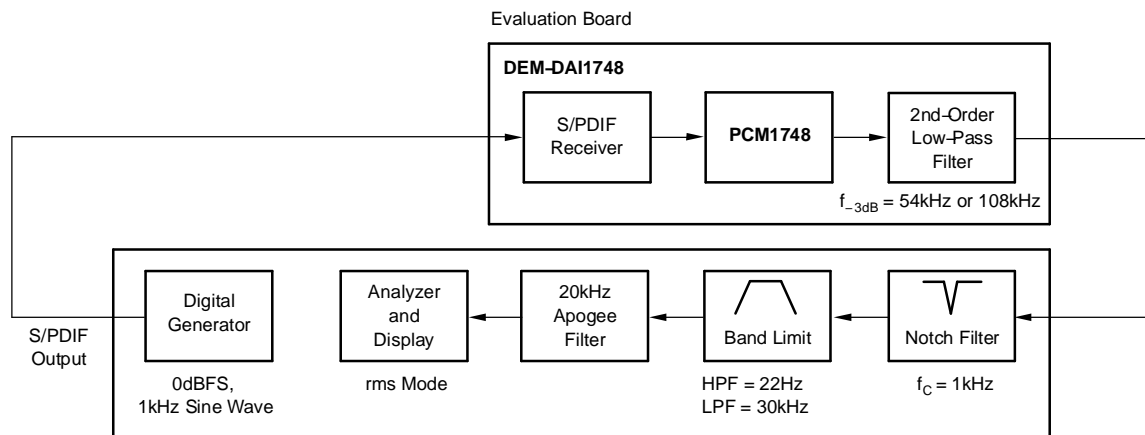


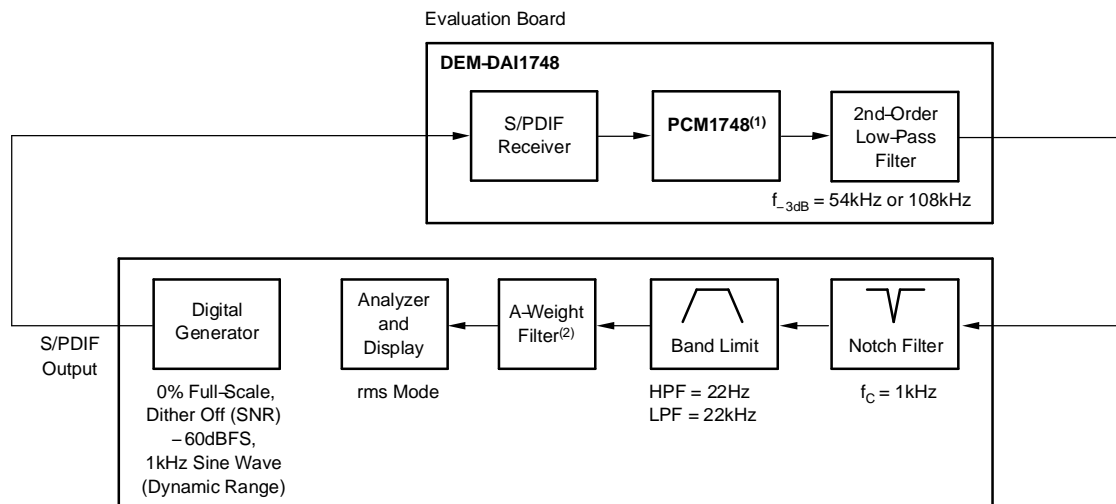
Figure 35. Test Setup for THD+N Measurements

KEY PERFORMANCE PARAMETERS AND MEASUREMENT (continued)

Dynamic Range

Dynamic range is specified as A-weighted, THD+N measured with a -60 -dBFS, 1-kHz digital sine-wave stimulus at the input of the DAC. This measurement is designed to give a good indicator of how the DAC performs given a low-level input signal.

The measurement setup for the dynamic range measurement is shown in [Figure 36](#) and is similar to the THD+N test setup discussed previously. The differences include the band-limit filter selection, the additional A-weighting filter, and the -60 -dBFS input level.



- (1) Infinite-zero-detect mute disabled
- (2) Results without A-weighting are approximately 3 dB worse.

Figure 36. Test Setup Dynamic Range and SNR Measurements

Idle-Channel Signal-to-Noise Ratio

The SNR test provides a measure of the noise floor of the DAC. The input to the DAC is all-0s data, and the DAC infinite-zero-detect mute function must be disabled (default condition at power up for the PCM1748). This ensures that the delta-sigma modulator output is connected to the output amplifier circuit so that idle tones (if present) can be observed and affect the SNR measurement. The dither function of the digital generator must also be disabled to ensure an all-0s data stream at the input of the DAC. The measurement setup for SNR is identical to that used for dynamic range, with the exception of the input signal level (see the notes provided in [Figure 36](#)).

REVISION HISTORY

| DATE | REV | PAGE | SECTION | DESCRIPTION |
|----------|---------------|---|--|--|
| Apr 2005 | B | – | Global | Changed to new format |
| | | 2 | Absolute Maximum Ratings | Changed values for power supply voltage, digital input voltage, lead temperature, and package temperature. Added supply voltage difference, $V_{CC} - V_{DD} < 3\text{ V}$. |
| | | 2 | Package/Ordering Information | Table removed from page 2, reformatted, and appended at end of data sheet. |
| | | 2 | Recommended Operating Conditions | New table added to data sheet. |
| | | 4 | Electrical Characteristics | Storage temperature removed from Temperature Range section of Electrical Characteristics (duplicate information in Absolute Maximum Ratings). |
| | | 6 | Pin Assignments and Terminal Functions | Moved from page 2 |
| | | 9 | Typical Performance Curves | In Figure 12 , changed Y-axis label from SNR to Dynamic Range. |
| | | 12 | Power-On-Reset Functions | Added description about 1024-system-clock delay time shown in the Figure 20 timing diagram. |
| | | 12 | Audio Serial Interface | Changed description of I ² S format and condition for synchronization from one SCK clock to three BCK clocks. |
| | | 13, 14 | Audio Data Formats and Timing | In Figure 21 , Audio Data Input Formats, removed 32- f_s availability from left-justified format. In Figure 22 , Audio Interface Timing, corrected specification for BCK pulse cycle time. |
| | | 17 | Register Map | For Table 3 , Mode Control Register Map, added note to explain the RSV table entry. |
| | | 17, 18 | Register Definitions | For ATx[7:0] – Digital Attenuation Level Setting and MUTx – Soft Mute Control, added description about incrementing/decrementing attenuation level by one step for every $8/f_s$ period. |
| | | 20 | Register Definitions | For FMT[2:0] – Audio Interface Data Format, corrected default setting from 000, 24-bit standard format, right-justified data to 101, left-justified format, 16-to 24-bit. |
| | | 24 | Zero Flags | Added description for L-channel/R-channel common zero flag. |
| | | 25 | Connection Diagram | In Figure 28 , corrected capacitor polarity for V_{DD} decoupling capacitor. |
| | | 26, 27 | PCB Layout Guidelines | In Figure 30 and Figure 31 , deleted extraneous signal lines. In Figure 31 , changed leftmost block to Digital Logic and Audio Processor. |
| 30 | Dynamic Range | Corrected parameters in test setup diagram, Figure 36 . | | |

PACKAGING INFORMATION

| Orderable Device | Status (1) | Package Type | Package Drawing | Pins | Package Qty | Eco Plan (2) | Lead/Ball Finish (6) | MSL Peak Temp (3) | Op Temp (°C) | Device Marking (4/5) | Samples |
|------------------|---------------|--------------|-----------------|------|-------------|-------------------------|-------------------------|----------------------|--------------|-------------------------|-------------------------|
| PCM1748E | ACTIVE | SSOP | DBQ | 16 | 75 | Green (RoHS & no Sb/Br) | CU NIPDAU | Level-1-260C-UNLIM | -25 to 85 | PCM 1748E | Samples |
| PCM1748E/2K | ACTIVE | SSOP | DBQ | 16 | 2000 | Green (RoHS & no Sb/Br) | CU NIPDAU | Level-1-260C-UNLIM | -25 to 85 | PCM 1748E | Samples |
| PCM1748EG/2K | ACTIVE | SSOP | DBQ | 16 | | TBD | Call TI | Call TI | -25 to 85 | | Samples |
| PCM1748EG4 | ACTIVE | SSOP | DBQ | 16 | 75 | Green (RoHS & no Sb/Br) | CU NIPDAU | Level-1-260C-UNLIM | -25 to 85 | PCM 1748E | Samples |
| PCM1748KE | ACTIVE | SSOP | DBQ | 16 | 75 | Green (RoHS & no Sb/Br) | CU NIPDAU | Level-1-260C-UNLIM | -25 to 85 | PCM 1748KE | Samples |
| PCM1748KE/2K | ACTIVE | SSOP | DBQ | 16 | 2000 | Green (RoHS & no Sb/Br) | CU NIPDAU Call TI | Level-1-260C-UNLIM | -25 to 85 | PCM 1748KE | Samples |
| PCM1748KE/2KG4 | ACTIVE | SSOP | DBQ | 16 | 2000 | Green (RoHS & no Sb/Br) | CU NIPDAU | Level-1-260C-UNLIM | -25 to 85 | PCM 1748KE | Samples |
| PCM1748KEG4 | ACTIVE | SSOP | DBQ | 16 | 75 | Green (RoHS & no Sb/Br) | CU NIPDAU | Level-1-260C-UNLIM | -25 to 85 | PCM 1748KE | Samples |

(1) The marketing status values are defined as follows:

ACTIVE: Product device recommended for new designs.

LIFEBUY: TI has announced that the device will be discontinued, and a lifetime-buy period is in effect.

NRND: Not recommended for new designs. Device is in production to support existing customers, but TI does not recommend using this part in a new design.

PREVIEW: Device has been announced but is not in production. Samples may or may not be available.

OBSOLETE: TI has discontinued the production of the device.

(2) Eco Plan - The planned eco-friendly classification: Pb-Free (RoHS), Pb-Free (RoHS Exempt), or Green (RoHS & no Sb/Br) - please check <http://www.ti.com/productcontent> for the latest availability information and additional product content details.

TBD: The Pb-Free/Green conversion plan has not been defined.

Pb-Free (RoHS): TI's terms "Lead-Free" or "Pb-Free" mean semiconductor products that are compatible with the current RoHS requirements for all 6 substances, including the requirement that lead not exceed 0.1% by weight in homogeneous materials. Where designed to be soldered at high temperatures, TI Pb-Free products are suitable for use in specified lead-free processes.

Pb-Free (RoHS Exempt): This component has a RoHS exemption for either 1) lead-based flip-chip solder bumps used between the die and package, or 2) lead-based die adhesive used between the die and leadframe. The component is otherwise considered Pb-Free (RoHS compatible) as defined above.

Green (RoHS & no Sb/Br): TI defines "Green" to mean Pb-Free (RoHS compatible), and free of Bromine (Br) and Antimony (Sb) based flame retardants (Br or Sb do not exceed 0.1% by weight in homogeneous material)

(3) MSL, Peak Temp. - The Moisture Sensitivity Level rating according to the JEDEC industry standard classifications, and peak solder temperature.

(4) There may be additional marking, which relates to the logo, the lot trace code information, or the environmental category on the device.

(5) Multiple Device Markings will be inside parentheses. Only one Device Marking contained in parentheses and separated by a "~" will appear on a device. If a line is indented then it is a continuation of the previous line and the two combined represent the entire Device Marking for that device.

(6) Lead/Ball Finish - Orderable Devices may have multiple material finish options. Finish options are separated by a vertical ruled line. Lead/Ball Finish values may wrap to two lines if the finish value exceeds the maximum column width.

Important Information and Disclaimer:The information provided on this page represents TI's knowledge and belief as of the date that it is provided. TI bases its knowledge and belief on information provided by third parties, and makes no representation or warranty as to the accuracy of such information. Efforts are underway to better integrate information from third parties. TI has taken and continues to take reasonable steps to provide representative and accurate information but may not have conducted destructive testing or chemical analysis on incoming materials and chemicals. TI and TI suppliers consider certain information to be proprietary, and thus CAS numbers and other limited information may not be available for release.

In no event shall TI's liability arising out of such information exceed the total purchase price of the TI part(s) at issue in this document sold by TI to Customer on an annual basis.

TAPE AND REEL INFORMATION



QUADRANT ASSIGNMENTS FOR PIN 1 ORIENTATION IN TAPE



*All dimensions are nominal

| Device | Package Type | Package Drawing | Pins | SPQ | Reel Diameter (mm) | Reel Width W1 (mm) | A0 (mm) | B0 (mm) | K0 (mm) | P1 (mm) | W (mm) | Pin1 Quadrant |
|--------------|--------------|-----------------|------|------|--------------------|--------------------|---------|---------|---------|---------|--------|---------------|
| PCM1748E/2K | SSOP | DBQ | 16 | 2000 | 330.0 | 12.4 | 6.4 | 5.2 | 2.1 | 8.0 | 12.0 | Q1 |
| PCM1748KE/2K | SSOP | DBQ | 16 | 2000 | 330.0 | 12.4 | 6.4 | 5.2 | 2.1 | 8.0 | 12.0 | Q1 |

TAPE AND REEL BOX DIMENSIONS


*All dimensions are nominal

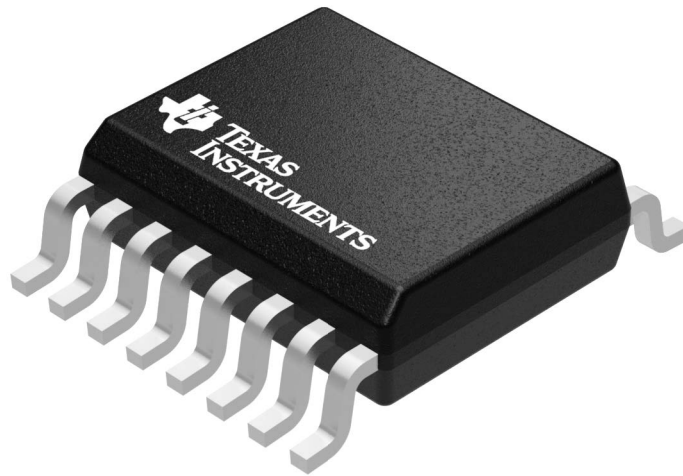
| Device | Package Type | Package Drawing | Pins | SPQ | Length (mm) | Width (mm) | Height (mm) |
|--------------|--------------|-----------------|------|------|-------------|------------|-------------|
| PCM1748E/2K | SSOP | DBQ | 16 | 2000 | 367.0 | 367.0 | 35.0 |
| PCM1748KE/2K | SSOP | DBQ | 16 | 2000 | 367.0 | 367.0 | 35.0 |

GENERIC PACKAGE VIEW

DBQ 16

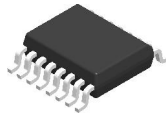
SSOP - 1.75 mm max height

SHRINK SMALL-OUTLINE PACKAGE



Images above are just a representation of the package family, actual package may vary.
Refer to the product data sheet for package details.

4073301-2/1

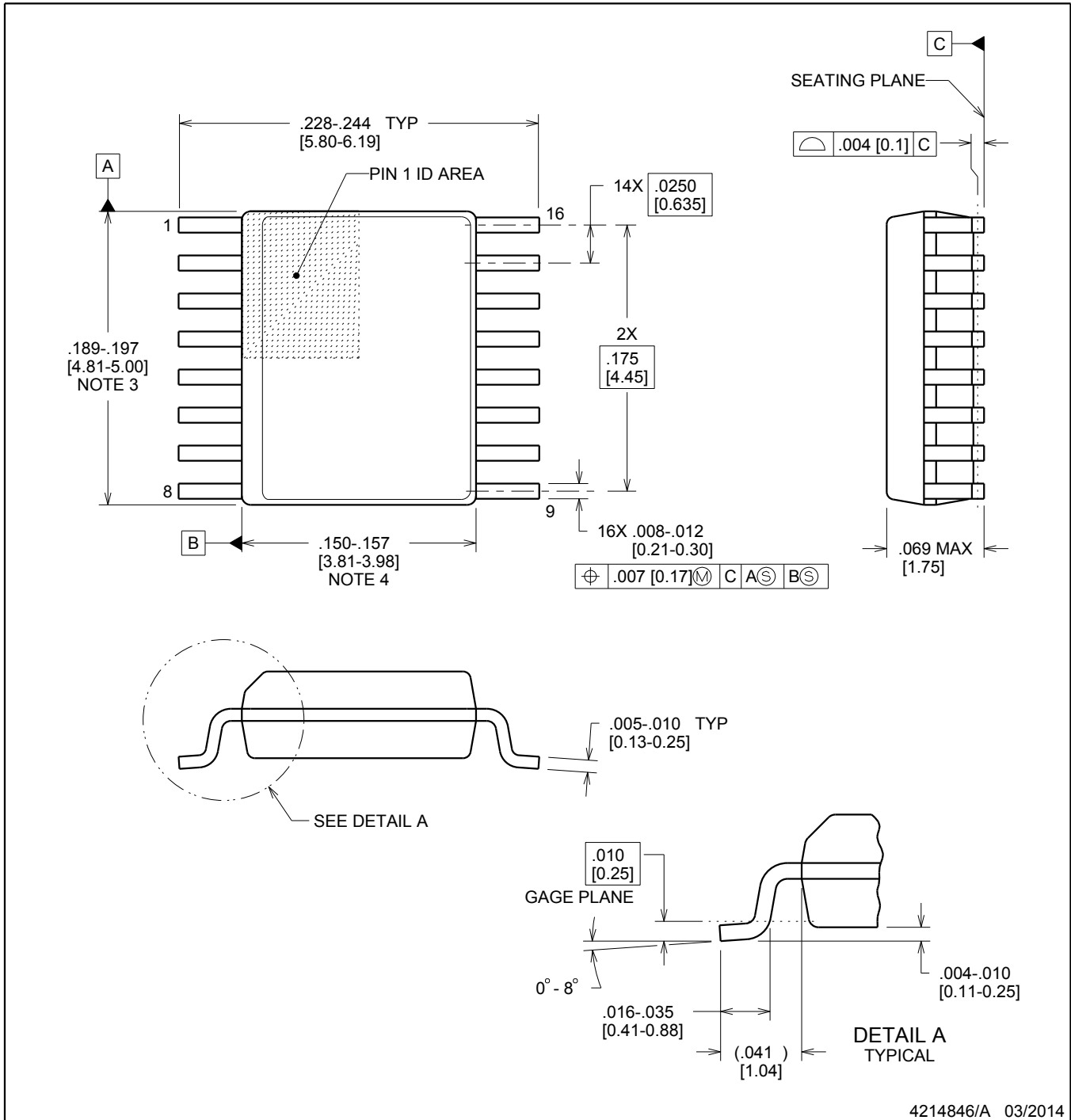


DBQ0016A

PACKAGE OUTLINE

SSOP - 1.75 mm max height

SHRINK SMALL-OUTLINE PACKAGE



NOTES:

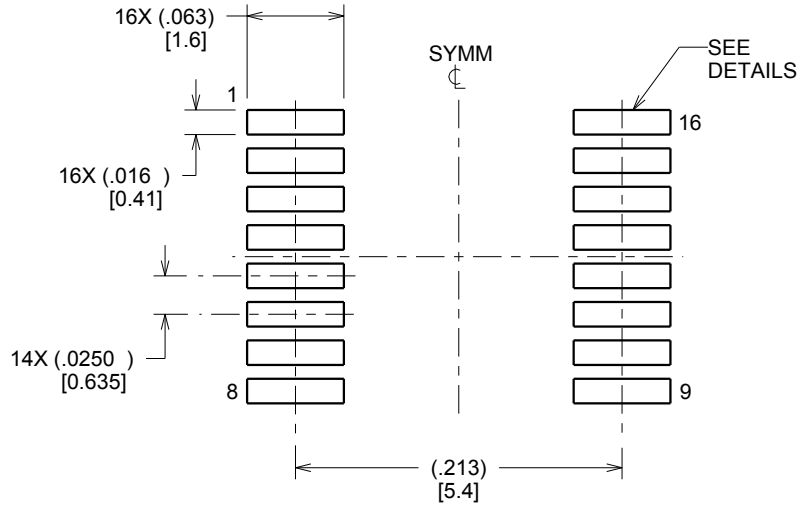
1. Linear dimensions are in inches [millimeters]. Dimensions in parenthesis are for reference only. Controlling dimensions are in inches. Dimensioning and tolerancing per ASME Y14.5M.
2. This drawing is subject to change without notice.
3. This dimension does not include mold flash, protrusions, or gate burrs. Mold flash, protrusions, or gate burrs shall not exceed .006 inch, per side.
4. This dimension does not include interlead flash.
5. Reference JEDEC registration MO-137, variation AB.

EXAMPLE BOARD LAYOUT

DBQ0016A

SSOP - 1.75 mm max height

SHRINK SMALL-OUTLINE PACKAGE



LAND PATTERN EXAMPLE
SCALE:8X



SOLDER MASK DETAILS

4214846/A 03/2014

NOTES: (continued)

- 6. Publication IPC-7351 may have alternate designs.
- 7. Solder mask tolerances between and around signal pads can vary based on board fabrication site.

EXAMPLE STENCIL DESIGN

DBQ0016A

SSOP - 1.75 mm max height

SHRINK SMALL-OUTLINE PACKAGE



SOLDER PASTE EXAMPLE
BASED ON .005 INCH [0.127 MM] THICK STENCIL
SCALE:8X

4214846/A 03/2014

NOTES: (continued)

8. Laser cutting apertures with trapezoidal walls and rounded corners may offer better paste release. IPC-7525 may have alternate design recommendations.
9. Board assembly site may have different recommendations for stencil design.

IMPORTANT NOTICE FOR TI DESIGN INFORMATION AND RESOURCES

Texas Instruments Incorporated ("TI") technical, application or other design advice, services or information, including, but not limited to, reference designs and materials relating to evaluation modules, (collectively, "TI Resources") are intended to assist designers who are developing applications that incorporate TI products; by downloading, accessing or using any particular TI Resource in any way, you (individually or, if you are acting on behalf of a company, your company) agree to use it solely for this purpose and subject to the terms of this Notice.

TI's provision of TI Resources does not expand or otherwise alter TI's applicable published warranties or warranty disclaimers for TI products, and no additional obligations or liabilities arise from TI providing such TI Resources. TI reserves the right to make corrections, enhancements, improvements and other changes to its TI Resources.

You understand and agree that you remain responsible for using your independent analysis, evaluation and judgment in designing your applications and that you have full and exclusive responsibility to assure the safety of your applications and compliance of your applications (and of all TI products used in or for your applications) with all applicable regulations, laws and other applicable requirements. You represent that, with respect to your applications, you have all the necessary expertise to create and implement safeguards that (1) anticipate dangerous consequences of failures, (2) monitor failures and their consequences, and (3) lessen the likelihood of failures that might cause harm and take appropriate actions. You agree that prior to using or distributing any applications that include TI products, you will thoroughly test such applications and the functionality of such TI products as used in such applications. TI has not conducted any testing other than that specifically described in the published documentation for a particular TI Resource.

You are authorized to use, copy and modify any individual TI Resource only in connection with the development of applications that include the TI product(s) identified in such TI Resource. NO OTHER LICENSE, EXPRESS OR IMPLIED, BY ESTOPPEL OR OTHERWISE TO ANY OTHER TI INTELLECTUAL PROPERTY RIGHT, AND NO LICENSE TO ANY TECHNOLOGY OR INTELLECTUAL PROPERTY RIGHT OF TI OR ANY THIRD PARTY IS GRANTED HEREIN, including but not limited to any patent right, copyright, mask work right, or other intellectual property right relating to any combination, machine, or process in which TI products or services are used. Information regarding or referencing third-party products or services does not constitute a license to use such products or services, or a warranty or endorsement thereof. Use of TI Resources may require a license from a third party under the patents or other intellectual property of the third party, or a license from TI under the patents or other intellectual property of TI.

TI RESOURCES ARE PROVIDED "AS IS" AND WITH ALL FAULTS. TI DISCLAIMS ALL OTHER WARRANTIES OR REPRESENTATIONS, EXPRESS OR IMPLIED, REGARDING TI RESOURCES OR USE THEREOF, INCLUDING BUT NOT LIMITED TO ACCURACY OR COMPLETENESS, TITLE, ANY EPIDEMIC FAILURE WARRANTY AND ANY IMPLIED WARRANTIES OF MERCHANTABILITY, FITNESS FOR A PARTICULAR PURPOSE, AND NON-INFRINGEMENT OF ANY THIRD PARTY INTELLECTUAL PROPERTY RIGHTS.

TI SHALL NOT BE LIABLE FOR AND SHALL NOT DEFEND OR INDEMNIFY YOU AGAINST ANY CLAIM, INCLUDING BUT NOT LIMITED TO ANY INFRINGEMENT CLAIM THAT RELATES TO OR IS BASED ON ANY COMBINATION OF PRODUCTS EVEN IF DESCRIBED IN TI RESOURCES OR OTHERWISE. IN NO EVENT SHALL TI BE LIABLE FOR ANY ACTUAL, DIRECT, SPECIAL, COLLATERAL, INDIRECT, PUNITIVE, INCIDENTAL, CONSEQUENTIAL OR EXEMPLARY DAMAGES IN CONNECTION WITH OR ARISING OUT OF TI RESOURCES OR USE THEREOF, AND REGARDLESS OF WHETHER TI HAS BEEN ADVISED OF THE POSSIBILITY OF SUCH DAMAGES.

You agree to fully indemnify TI and its representatives against any damages, costs, losses, and/or liabilities arising out of your non-compliance with the terms and provisions of this Notice.

This Notice applies to TI Resources. Additional terms apply to the use and purchase of certain types of materials, TI products and services. These include; without limitation, TI's standard terms for semiconductor products (<http://www.ti.com/sc/docs/stdterms.htm>), [evaluation modules](#), and [samples](http://www.ti.com/sc/docs/sampterm.htm) (<http://www.ti.com/sc/docs/sampterm.htm>).

Mailing Address: Texas Instruments, Post Office Box 655303, Dallas, Texas 75265
Copyright © 2017, Texas Instruments Incorporated