

## 16-CHANNEL LED DRIVER WITH DOT CORRECTION AND PRE-CHARGE FET

### FEATURES

- 16 Channels
- Drive Capability
  - 0 to 80 mA (Constant-Current Sink)
- Constant Current Accuracy:  $\pm 1\%$  (typical)
- Serial Data Interface
- Fast Switching Output:  $T_r / T_f = 10\text{ns}$  (typical)
- CMOS Level Input/Output
- 30 MHz Data Transfer Rate
- $V_{CC} = 3.0\text{ V to } 5.5\text{ V}$
- Operating Temperature =  $-40^\circ\text{C to } 85^\circ\text{C}$
- LED Supply Voltage up to 17 V
- 32-pin HTSSOP(PowerPAD™) and QFN Packages
- Dot Correction
  - 7 bit (128 Steps)
  - individual adjustable for each channel
- Controlled In-Rush Current
- Pre-Charge FET
- Error Information
  - LOD: LED Open Detection
  - TEF: Thermal Error Flag

### APPLICATIONS

- Monocolor, Multicolor, Fullcolor LED Display
- Monocolor, Multicolor LED Signboard
- Display Backlighting
- Multicolor LED lighting applications

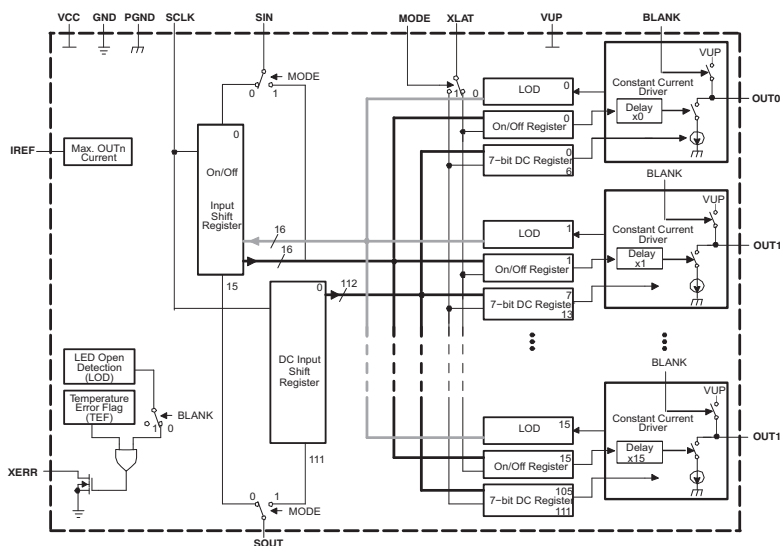
### DESCRIPTION

The TLC5924 is a 16 channel constant-current sink driver. Each channel has a On/Off state and a 128-step adjustable constant current sink (dot correction). The dot correction adjusts the brightness variations between LED, LED channels and other LED drivers. Both dot correction and On/Off state are accessible via a serial data interface. A single external resistor sets the maximum current of all 16 channels.

Each constant-current output has a pre-charge FET that enables an improvement in image quality of the dynamic-drive LED display.

The TLC5924 features two error information circuits. The LED open detection (LOD) indicates a broken or disconnected LED at an output terminal. The thermal error flag (TEF) indicates an over-temperature condition.

### FUNCTIONAL BLOCK DIAGRAM



Please be aware that an important notice concerning availability, standard warranty, and use in critical applications of Texas Instruments semiconductor products and disclaimers thereto appears at the end of this data sheet.

PowerPAD is a trademark of Texas Instruments.



These devices have limited built-in ESD protection. The leads should be shorted together or the device placed in conductive foam during storage or handling to prevent electrostatic damage to the MOS gates.

### ORDERING INFORMATION<sup>(1)</sup>

| T <sub>A</sub> | Package                   | Part Number <sup>(1)</sup> |
|----------------|---------------------------|----------------------------|
| –40°C to 85°C  | 32-pin, HTSSOP, PowerPAD™ | TLC5924DAP                 |
|                | 32-pin, 5 mm x 5 mm QFN   | TLC5924RHB                 |

- (1) For the most current package and ordering information, see the Package Option Addendum at the end of this document, or see the TI website at [www.ti.com](http://www.ti.com).

### ABSOLUTE MAXIMUM RATINGS <sup>(1)(2)</sup>

|   |   | TLC5924   | UNIT                               |
|---|---|---|------------------------------------|
| V <sub>CC</sub>   | Supply voltage <sup>(2)</sup>                 | –0.3 to 6   | V                                  |
| V <sub>UP</sub>   | Pre-charge voltage                            | –0.3 to 16  | V                                  |
| I <sub>O</sub>  | Output current (dc)                           | I <sub>(OUT0)</sub> to I <sub>(OUT15)</sub>   | 90<br>mA                           |
| V <sub>I</sub>  | Input voltage range <sup>(2)</sup>            | V <sub>(BLANK)</sub> , V <sub>(XLAT)</sub> , V <sub>(SCLK)</sub> , V <sub>(SIN)</sub> , V <sub>(MODE)</sub> , V <sub>(IREF)</sub> | –0.3 to V <sub>CC</sub> + 0.3<br>V |
| V <sub>O</sub>  | Output voltage range <sup>(2)</sup>           | V <sub>(SOUT)</sub> , V <sub>(XERR)</sub>   | –0.3 to V <sub>CC</sub> + 0.3<br>V |
|   |   | V <sub>(OUT0)</sub> to V <sub>(OUT15)</sub>   | –0.3 to V <sub>UP</sub><br>V       |
| ESD rating  | HBM (JEDEC JESD22-A114, Human Body Model)     |   | 2<br>kV                            |
|   | CDM (JEDEC JESD22-C101, Charged Device Model) |   | 500<br>V                           |
| T <sub>stg</sub>  | Storage temperature range                     | –40 to 150  | °C                                 |
| Power dissipation rating at (or above) T <sub>A</sub> = 25°C <sup>(3)</sup> | HTSSOP (DAP)                                  |   | 42.54<br>mW/°C                     |
|   | QFN (RHB)                                     |   | 27.86<br>mW/°C                     |

- (1) Stresses beyond those listed under *absolute maximum ratings* may cause permanent damage to the device. These are stress ratings only, and functional operation of the device at these or any other conditions beyond those indicated under *recommended operating conditions* is not implied. Exposure to absolute-maximum-rated conditions for extended periods may affect device reliability.
- (2) All voltage values are with respect to network ground terminal.
- (3) See SLMA002 for more information about PowerPAD™

### RECOMMENDED OPERATING CONDITIONS—DC Characteristics

|                  |   | MIN                                 | NOM | MAX                 | UNIT |
|------------------|---|-------------------------------------|-----|---------------------|------|
| V <sub>CC</sub>  | Supply voltage                            | 3                                   |     | 5.5                 | V    |
| V <sub>UP</sub>  | Pre-charge voltage                        | 3                                   |     | 15                  | V    |
| V <sub>O</sub>   | Voltage applied to output, (Out0 - Out15) |                                     |     | V <sub>UP</sub>     | V    |
| V <sub>IH</sub>  | High-level input voltage                  | 0.8 V <sub>CC</sub>                 |     | V <sub>CC</sub>     | V    |
| V <sub>IL</sub>  | Low-level input voltage                   | GND                                 |     | 0.2 V <sub>CC</sub> | V    |
| I <sub>OH</sub>  | High-level output current                 | V <sub>CC</sub> = 5 V at SOUT       |     | –1                  | mA   |
| I <sub>OL</sub>  | Low-level output current                  | V <sub>CC</sub> = 5 V at SOUT, XERR |     | 1                   | mA   |
| I <sub>OLC</sub> | Constant output current                   | OUT0 to OUT15                       |     | 80                  | mA   |
| T <sub>A</sub>   | Operating free-air temperature range      | –40                                 |     | 85                  | °C   |

## RECOMMENDED OPERATING CONDITIONS—AC Characteristics

$V_{CC} = 3\text{ V to }5.5\text{ V}$ ,  $T_A = -40^\circ\text{C to }85^\circ\text{C}$  (unless otherwise noted)

|                       |                     |  | MIN | TYP | MAX | UNIT |
|-----------------------|---------------------|--|-----|-----|-----|------|
| $f_{SCLK}$            | Clock frequency     | SCLK   |     |     | 30  | MHz  |
| $t_{wh0}$ , $t_{wl0}$ | CLK pulse duration  | SCLK=H/L   | 16  |     |     | ns   |
| $t_{wh1}$             | XLAT pulse duration | XLAT=H   | 20  |     |     | ns   |
| $t_{su0}$             | Setup time          | SIN to SCLK $\uparrow$ <sup>(1)</sup>                      | 10  |     |     | ns   |
| $t_{su1}$             |                     | SLCK $\uparrow$ to XLAT $\downarrow$ (dot correction data) | 10  |     |     |      |
| $t_{su1a}$            |                     | SCLK $\uparrow$ to XLAT $\uparrow$ (ON/OFF data)           | 10  |     |     |      |
| $t_{su2}$             |                     | MODE $\uparrow\downarrow$ to SCLK $\uparrow$               | 10  |     |     |      |
| $t_{su3}$             |                     | MODE $\uparrow\downarrow$ to XLAT $\uparrow$               | 10  |     |     |      |
| $t_{h0}$              | Hold time           | SCLK $\uparrow$ to SIN                                     | 10  |     |     | ns   |
| $t_{h1}$              |                     | XLAT $\downarrow$ to SCLK $\uparrow$ (dot correction data) | 10  |     |     |      |
| $t_{h1a}$             |                     | XLAT $\uparrow$ to SCLK $\uparrow$ (ON/OFF data)           | 10  |     |     |      |
| $t_{h2}$              |                     | SCLK $\uparrow$ to MODE $\uparrow\downarrow$               | 10  |     |     |      |
| $t_{h3}$              |                     | XLAT $\downarrow$ to MODE $\uparrow\downarrow$             | 10  |     |     |      |

(1) " $\uparrow$ " and " $\downarrow$ " indicates a rising edge, and a falling edge respectively.

## ELECTRICAL CHARACTERISTICS

$V_{CC} = 3\text{ V to }5.5\text{ V}$ ,  $T_A = -40^\circ\text{C to }85^\circ\text{C}$  (unless otherwise noted)

| PARAMETER         |                              | TEST CONDITIONS   | MIN            | TYP       | MAX               | UNIT             |
|-------------------|------------------------------|---|----------------|-----------|-------------------|------------------|
| $V_{OH}$          | High-level output voltage    | $I_{OH} = -1\text{ mA}$ , SOUT  | $V_{CC} - 0.5$ |           |                   | V                |
| $V_{OL}$          | Low-level output voltage     | $I_{OL} = 1\text{ mA}$ , SOUT   |                |           | 0.5               | V                |
| $I_I$             | Input current                | $V_I = V_{CC}$ or GND, BLANK, XLAT, SCLK, SIN, MODE   | -1             |           | 1                 | $\mu\text{A}$    |
| $I_{CC}$          | Supply current               | No data transfer, All output OFF, $V_O = 1\text{ V}$ , $R_{(IREF)} = 10\text{ k}\Omega$                               |                |           | 6                 | mA               |
|                   |                              | No data transfer, All output OFF, $V_O = 1\text{ V}$ , $R_{(IREF)} = 1.3\text{ k}\Omega$                              |                |           | 15                |                  |
|                   |                              | Data transfer 30 MHz, All output ON, $V_O = 1\text{ V}$ , $R_{(IREF)} = 1.3\text{ k}\Omega$                           |                |           | 32                |                  |
|                   |                              | Data transfer 30 MHz, All output ON, $V_O = 1\text{ V}$ , $R_{(IREF)} = 600\ \Omega$                                  |                | 36        | 65 <sup>(1)</sup> |                  |
| $I_{OLC}$         | Constant sink current        | All output ON, $V_O = 1\text{ V}$ , $R_{(IREF)} = 600\ \Omega$  | 70             | 80        | 90                | mA               |
| $I_{LO0}$         | Leakage output current       | All output OFF, $V_O = 15\text{ V}$ , $R_{(IREF)} = 600\ \Omega$ , OUT0 to OUT15                                      |                |           | 0.1               | $\mu\text{A}$    |
|                   |                              | $V_{XERR} = 5.5\text{ V}$ , No TEF and LOD  |                |           | 10                | $\mu\text{A}$    |
| $\Delta I_{OLC0}$ | Constant sink current error  | All output ON, $V_O = 1\text{ V}$ , $R_{(IREF)} = 600\ \Omega$ , OUT0 to OUT15  |                | $\pm 1\%$ | $\pm 4\%$         |                  |
| $\Delta I_{OLC1}$ | Constant sink current error  | device to device, averaged current from OUT0 to OUT15, $R_{(IREF)} = 600\ \Omega$                                     |                | $\pm 4\%$ | $\pm 8.5\%$       |                  |
| $\Delta I_{OLC2}$ | Line regulation              | All output ON, $V_O = 1\text{ V}$ , $R_{(IREF)} = 600\ \Omega$ , OUT0 to OUT15, $V_{CC} = 3\text{ V to }5.5\text{ V}$ |                | $\pm 1$   | $\pm 4$           | %/V              |
| $\Delta I_{OLC3}$ | Load regulation              | All output ON, $V_O = 1\text{ V to }3\text{ V}$ , $R_{(IREF)} = 600\ \Omega$ , OUT0 to OUT15                          |                | $\pm 2$   | $\pm 6$           | %/V              |
| $R_{(ON)}$        | Pre-charge FET on-resistance | $V_{UP} = 3\text{ V}$ , $V_O = 0\text{ V}$ , OUT0 to OUT15  |                |           | 10                | K $\Omega$       |
| $T_{(TEF)}$       | Thermal error flag threshold | Junction temperature, rising temperature <sup>(2)</sup>   | 150            | 160       | 180               | $^\circ\text{C}$ |
| $V_{(LOD)}$       | LED open detection threshold |   |                | 0.3       | 0.4               | V                |
| $V_{(IREF)}$      | Reference voltage output     | $R_{(IREF)} = 600\ \Omega$  | 1.20           | 1.24      | 1.28              | V                |

(1) Measured at device start-up temperature. Once the IC is operating (self heating), lower  $I_{CC}$  values will be seen. See [Figure 20](#).

(2) Not tested. Specified by design.

### DISSIPATION RATINGS

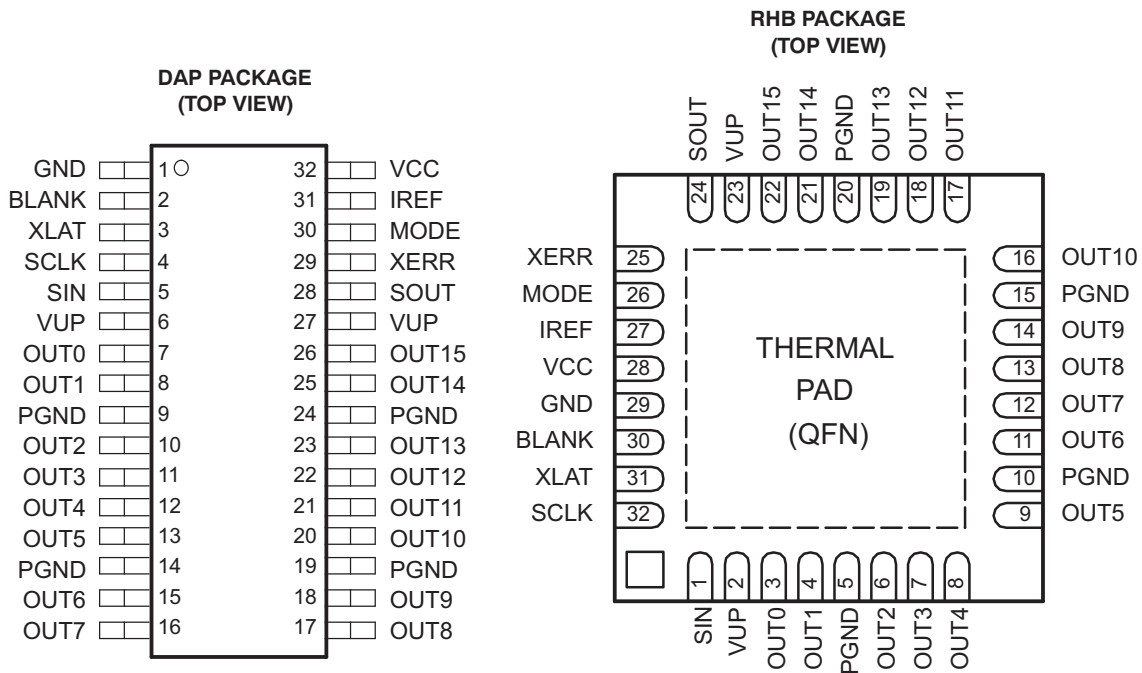
| PACKAGE  | POWER RATING<br>T <sub>A</sub> < 25°C | DERATING FACTOR<br>ABOVE T <sub>A</sub> = 25°C | POWER RATING<br>T <sub>A</sub> = 70°C | POWER RATING<br>T <sub>A</sub> = 85°C |
|--|---------------------------------------|--|---------------------------------------|---------------------------------------|
| 32-pin HTSSOP with PowerPAD <sup>(1)</sup><br>soldered   | 5318 mW                               | 42.54 mW/°C                                    | 3403 mW                               | 2765 mW                               |
| 32-pin HTSSOP with PowerPAD <sup>(1)</sup><br>unsoldered | 2820 mW                               | 22.56 mW/°C                                    | 1805 mW                               | 1466 mW                               |
| 32-pin QFN   | 3482 mW                               | 27.86 mW/°C                                    | 2228 mW                               | 1811 mW                               |

(1) The PowerPAD is soldered to the PCB with a 2 oz. copper trace. See SLMA002 for further information.

### SWITCHING CHARACTERISTICS

| PARAMETER        |                        | TEST CONDITIONS  | MIN | TYP | MAX  | UNIT |
|------------------|------------------------|--|-----|-----|------|------|
| t <sub>ro</sub>  | Rise time              | SOUT(see <sup>(1)</sup> )  |     |     | 16   | ns   |
| t <sub>rl</sub>  |                        | OUTn, V <sub>CC</sub> = 5 V, T <sub>A</sub> = 60°C, DCx = 7F (see <sup>(2)</sup> ) |     | 10  | 30   |      |
| t <sub>fo</sub>  | Fall time              | SOUT (see <sup>(1)</sup> )   |     |     | 16   | ns   |
| t <sub>fl</sub>  |                        | OUTn, V <sub>CC</sub> = 5 V, T <sub>A</sub> = 60°C, DCx = 7F (see <sup>(2)</sup> ) |     | 10  | 30   |      |
| t <sub>pd0</sub> | Propagation delay time | SCLK↑ to SOUT↑↓ (see <sup>(3)(4)</sup> )   |     |     | 30   | ns   |
| t <sub>pd1</sub> |                        | MODE↑↓ to SOUT↑↓ (see <sup>(3)</sup> )   |     |     | 30   |      |
| t <sub>pd2</sub> |                        | BLANK↑↓ to OUT0↑↓ (see <sup>(5)</sup> ), Sink current On/Off                       |     |     | 80   |      |
| t <sub>pd3</sub> |                        | XLAT↑ to OUT0↑↓ (see <sup>(5)</sup> )  |     |     | 60   |      |
| t <sub>pd4</sub> |                        | OUTn↑↓ to XERR↑↓ (see <sup>(6)</sup> )   |     |     | 1000 |      |
| t <sub>pd5</sub> |                        | XLAT↑ to I <sub>OUT</sub> (dot-correction) (see <sup>(7)</sup> )                   |     |     | 1000 |      |
| t <sub>d</sub>   | Output delay time      | OUTn↑ to OUT(n+1)↑, OUTn ↓ to OUT(n+1)↓ (see <sup>(5)</sup> )                      | 14  | 22  | 30   | ns   |

- (1) See Figure 4. Defined as from 10% to 90%
- (2) See Figure 5. Defined as from 10% to 90%
- (3) See Figure 4, Figure 16
- (4) "↑" and "↓" indicates a rising edge, and a falling edge respectively.
- (5) See Figure 5 and Figure 16
- (6) See Figure 5, Figure 6, and Figure 16
- (7) See Figure 5



**Terminal Functions**

| NAME  | TERMINAL         |                  | I/O | DESCRIPTION  |
|-------|------------------|------------------|-----|--|
|       | NO.              |                  |     |  |
|       | TSSOP            | QFN              |     |  |
| BLANK | 2                | 30               | I   | Blank (Light OFF). When BLANK=H, All OUT <sub>n</sub> outputs are forced to VUP level. When BLANK=L, ON/OFF of OUT <sub>n</sub> outputs are controlled by input data.  |
| GND   | 1                | 29               |     | Ground   |
| IREF  | 31               | 27               | I/O | Reference current terminal   |
| MODE  | 30               | 26               | I   | Mode select. When MODE=L, SIN, SOUT, SCLK, XLAT are connected to ON/OFF control logic. When MODE=H, SIN, SOUT, SCLK, XLAT are connected to dot-correction logic.   |
| OUT0  | 7                | 3                | O   | Constant current output  |
| OUT1  | 8                | 4                | O   | Constant current output  |
| OUT2  | 10               | 6                | O   | Constant current output  |
| OUT3  | 11               | 7                | O   | Constant current output  |
| OUT4  | 12               | 8                | O   | Constant current output  |
| OUT5  | 13               | 9                | O   | Constant current output  |
| OUT6  | 15               | 11               | O   | Constant current output  |
| OUT7  | 16               | 12               | O   | Constant current output  |
| OUT8  | 17               | 13               | O   | Constant current output  |
| OUT9  | 18               | 14               | O   | Constant current output  |
| OUT10 | 20               | 16               | O   | Constant current output  |
| OUT11 | 21               | 17               | O   | Constant current output  |
| OUT12 | 22               | 18               | O   | Constant current output  |
| OUT13 | 23               | 19               | O   | Constant current output  |
| OUT14 | 25               | 21               | O   | Constant current output  |
| OUT15 | 26               | 22               | O   | Constant current output  |
| PGND  | 9, 14,<br>19, 24 | 5, 10,<br>15, 20 |     | Power ground   |
| VUP   | 6, 27            | 2, 23            |     | Pre-charge power supply voltage  |
| SCLK  | 4                | 32               | I   | Data shift clock. Note that the internal connections are switched by MODE (pin #30). At SCLK↑, the shift-registers selected by MODE shift the data.  |
| SIN   | 5                | 1                | I   | Data input of serial I/F   |
| SOUT  | 28               | 24               | O   | Data output of serial I/F  |
| VCC   | 32               | 28               |     | Power supply voltage   |
| XERR  | 29               | 25               | O   | Error output. XERR is open drain terminal. XERR transitions from H to L when LOD or TEF detected.  |
| XLAT  | 3                | 31               | I   | Data latch signal. When MODE = L (ON/OFF data mode), XLAT is an edge-triggered latch signal of ON/OFF registers. The serial data in ON/OFF input shift registers is latched into the ON/OFF registers at the rising edge of XLAT. When MODE = H (DC data mode), XLAT is a level-triggered latch signal of dot correction registers. The serial data in DC input shift registers is written into dot correction registers when XLAT = H. The data in dot correction registers is held constant when XLAT = L. |

PIN EQUIVALENT INPUT AND OUTPUT SCHEMATIC DIAGRAMS

(Note: Resistor values are equivalent resistance and not tested).

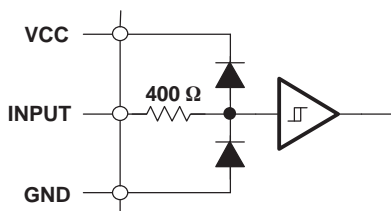


Figure 1. Input Equivalent Circuit (BLANK, XLAT, SCLK, SIN, MODE)

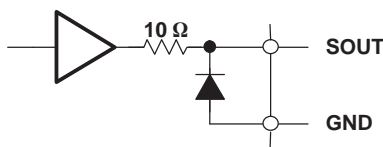


Figure 2. Output Equivalent Circuit

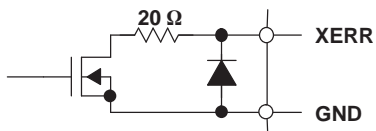


Figure 3. Output Equivalent Circuit (XERR)

PARAMETER MEASUREMENT INFORMATION

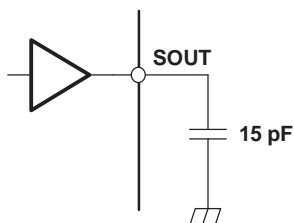


Figure 4. Test Circuit for  $t_{r0}$ ,  $t_{f0}$ ,  $t_{pd0}$ ,  $t_{pd1}$

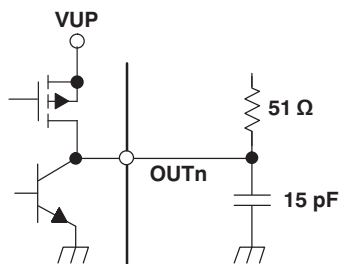


Figure 5. Test Circuit for  $t_{r1}$ ,  $t_{f1}$ ,  $t_{pd2}$ ,  $t_{pd3}$ ,  $t_{pd5}$ ,  $t_{td}$

PARAMETER MEASUREMENT INFORMATION (continued)

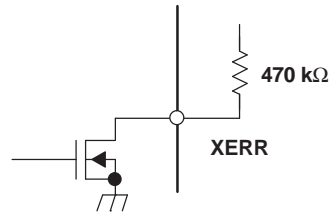


Figure 6. Test Circuit for  $t_{pd4}$

## PRINCIPLES OF OPERATION

### Setting Maximum Channel Current

The maximum output current per channel is set by a single external resistor,  $R_{(IREF)}$ , which is placed between IREF and GND. The voltage on IREF is set by an internal band gap  $V_{(IREF)}$  with a typical value of 1.24V. The maximum channel current is equivalent to the current flowing through  $R_{(IREF)}$  multiplied by a factor of 40. The maximum output current per channel can be calculated by Equation 1:

$$I_{MAX} = \frac{V_{IREF}}{R_{IREF}} \times 40 \tag{1}$$

where:

$V_{IREF} = 1.24V$  typ.

$R_{IREF} =$  User selected external resistor ( $R_{IREF}$  should not be smaller than 600  $\Omega$ )

Figure 17 shows the maximum output current,  $I_{OLC}$ , versus  $R_{(IREF)}$ . In Figure 17,  $R_{(IREF)}$  is the value of the resistor between IREF terminal to ground, and  $I_{OLC}$  is the constant output current of OUT0,...,OUT15. A variable power supply may be connected to the IREF pin through a resistor to change the maximum output current per channel. The maximum output per channel is 40 times the current flowing out of the IREF pin. The maximum current from IREF equals 1.24V/600 $\Omega$ .

### Setting Dot-Correction

The TLC5924 has the capability to fine adjust the current of each channel, OUT0 to OUT15 independently. This is also called dot correction. This feature is used to adjust the brightness deviations of LED connected to the output channels OUT0 to OUT15. Each of the 16 channels can be programmed with a 7-bit word. The channel output can be adjusted in 128 steps from 0% to 100% of the maximum output current  $I_{MAX}$ . Dot correction for all channels must be entered at the same time. Equation 2 determines the output current for each OUTn:

$$I_{Outn} = \frac{I_{MAX} \times DC_n}{127} \tag{2}$$

where:

$I_{MAX}$  = the maximum programmable current of each output

$DC_n$  = the programmed dot-correction value for output n ( $DC_n = 0, 1, 2 \dots 127$ )

$n = 0, 1, 2 \dots 15$

Dot correction data are entered for all channels at the same time. The complete dot correction data format consists of 16 x 7-bit words, which forms a 112-bit wide serial data packet. The channel data is put one after another. All data is clocked in with MSB first. Figure 7 shows the DC data format. The DC15.6 in Figure 7 stands for the 6<sup>th</sup> most significant bit for output 15.



Figure 7. DC Data Format

To input data into dot correction register, MODE must be set to high. The internal input shift register is then set to 112-bit width. After all serial data is clocked in, a high level pulse of XLAT signal connects the serial data to the dot correction register. The dot correction registers are level-triggered latches of XLAT signal. The serial data is latched into the dot correction registers when XLAT goes low. The data in dot correction registers is held constant when XLAT is low. BLANK signal does not need to be high to latch in new data. Since XLAT is a level-triggered signal when MODE is high, SCLK and SIN must not be changed while XLAT is high. (Figure 16).



**PRINCIPLES OF OPERATION (continued)**

**Output Enable**

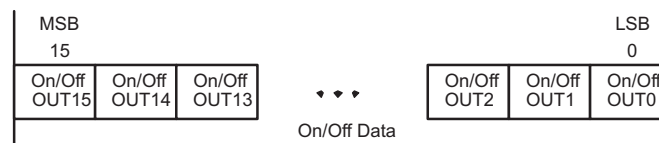
When BLANK = H, TLC5924 switches off the sink current of all OUTn with each output delay, then switches on the pre-charge FET of all OUTn. When BLANK = L, the TLC5924 switches off the pre-charge FETs, and enables the sink current set by input data. See "Delay Between Outputs" section for more detail on the output delay.

**Table 1. BLANK Signal Truth Table**

| BLANK | OUT0 - OUT15     |
|-------|------------------|
| LOW   | Normal condition |
| HIGH  | VUP              |

**Setting Channel On/Off Status**

All OUTn channels of TLC5924 can be switched on or off independently. Each of the channels can be programmed with a 1-bit word. On/Off data are entered for all channels at the same time. The complete On/Off data format consists of 16 x 1-bit words, which form a 16-bit wide data packet. The channel data is put one after another. All data is clocked in with MSB first. Figure 8 shows the On/Off data format.



**Figure 8. On/Off Data Format**

To input On/Off data into On/Off register MODE must be set to low. The internal input shift register is then set to 16 bit width. After all serial data is clocked in, a rising edge of XLAT is used to latch data into the On/Off register. The ON/OFF register is an edge-triggered latch of XLAT signal. BLANK signal does not need to be high to latch in new data. Figure 16 shows the On/Off data input timing chart.

**Delay Between Outputs**

The TLC5924 has graduated delay circuits between outputs. These delay circuits can be found in the constant current block of the device (see Functional Block Diagram). The fixed delay time is 20 ns (typical), OUT0 has no delay, OUT1 has 20 ns delay, OUT2 has 40 ns delay, etc. This delay prevents large inrush currents, which reduce power supply bypass capacitor requirements when the outputs turn on. The delay works during switch on and switch off of each output channel. LEDs that have not turned on before BLANK is pulled high will still turn on and off at the determined delayed time regardless of the state of BLANK. Therefore, every LED will be illuminated for the amount of time BLANK is low.

**Pre-Charge FET On/Off Timing**

The pre-charge FETs turn on at the same time; and, they turn on at the time the last output that is on turns off. All pre-charge FETs turn off just after BLANK signal becomes low level, regardless of on/off data of each output. Figure 9 shows the example of BLANK and OUTn timing.

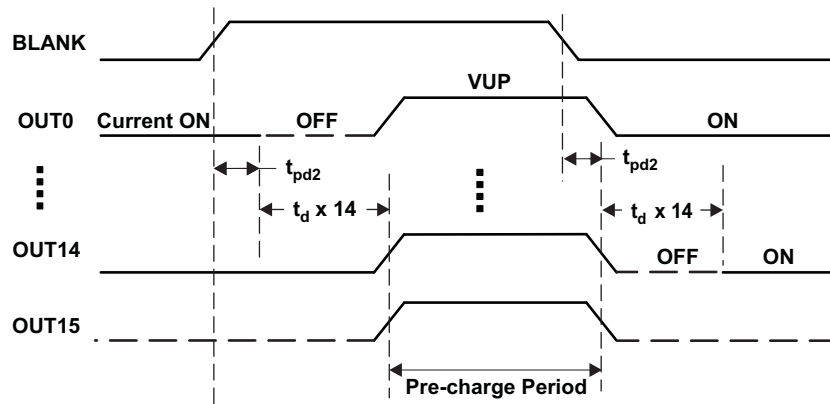


Figure 9. Timing Chart of BLANK and OUTn  
(On/Off Data Condition: OUT0=H, OUT14=H, OUT15=L)

### VUP: Pre-Charge Power Supply

VUP is a pre-charge power supply terminal. The pre-charge voltage should be supplied to this terminal for normal operation. When VUP terminal is open, TLC5924 keeps OUT0-15 open. TLC5924 has two VUP pins as shown in the *Terminal Functions Table*. Both VUP pins should be connected to the pre-charge power supply as shown in Figure 10.

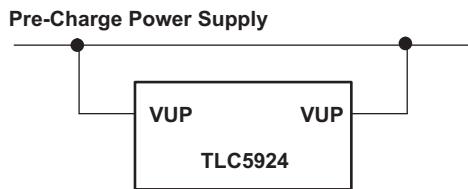


Figure 10. VUP Power Supply

### Serial Interface Data Transfer Rate

The TLC5924 includes a flexible serial interface, which can be connected to a microcontroller or digital signal processor. Only 3 pins are required to input data into the device. The rising edge of SCLK signal shifts the data from SIN pin to internal shift register. After all data is clocked in, a rising edge of XLAT latches the serial data to the internal registers. All data is clocked in with MSB first. Multiple TLC5924 devices can be cascaded by connecting SOUT pin of one device with SIN pin of following device. The SOUT pin can also be connected to controller to receive LOD information from TLC5924.

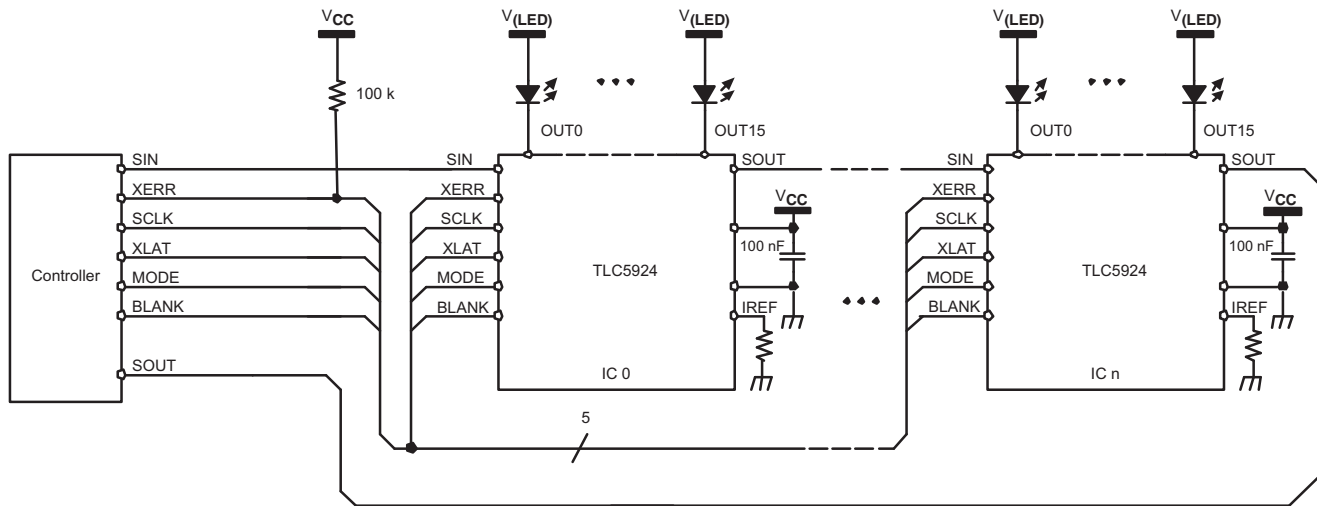


Figure 11. Cascading Devices

Figure 11 shows a example application with  $n$  cascaded TLC5924 devices connected to a controller. The maximum number of cascaded TLC5924 devices depends on application system and data transfer rate. Equation 3 calculates the minimum data input frequency needed.

$$f_{\text{(SCLK)}} = 112 \times f_{\text{(update)}} \times n \quad (3)$$

where:

$f_{\text{(SCLK)}}$ : The minimum data input frequency for SCLK and SIN.

$f_{\text{(update)}}$ : The update rate of the whole cascaded system.

$n$ : The number of cascaded TLC5924 devices.

## Operating Modes

The TLC5924 has different operating modes depending on MODE signal. Table 2 shows the available operating modes. The values in the input shift registers, DC register and On/Off register are unknown just after power on. The DC and On/Off register values should be properly stored through the serial interface before starting the operation.

Table 2. TLC5924 Operating Modes Truth Table

| MODE SIGNAL | INPUT SHIFT REGISTER | MODE                           |
|-------------|----------------------|--------------------------------|
| LOW         | 16 bit               | On/Off Mode                    |
| HIGH        | 112 bit              | Dot Correction Data Input Mode |

### Error Information Output

The open-drain output XERR is used to report both of the TLC5924 error flags, TEF and LOD. During normal operating conditions, the internal transistor connected to the XERR pin is turned off. The voltage on XERR is pulled up to  $V_{CC}$  through a external pull-up resistor. If TEF or LOD is detected, the internal transistor is turned on, and XERR is pulled to GND. Since XERR is an open-drain output, multiple ICs can be OR'ed together and pulled up to  $V_{CC}$  with a single pull-up resistor. This reduces the number of signals needed to report a system error.

To differentiate LOD and TEF signal from XERR pin, LOD can be masked out with BLANK = HIGH.

**Table 3. XERR Truth Table**

| CONDITION         |       |                    | ERROR INFORMATION |      | XERR                  |
|-------------------|-------|--------------------|-------------------|------|-----------------------|
| TEMPERATURE       | BLANK | OUTn VOLTAGE       | TEF               | LODn |                       |
| $T_J < T_{(TEF)}$ | H     | Don't Care         | L                 | L    | High-Z <sup>(1)</sup> |
| $T_J > T_{(TEF)}$ |       |                    | H                 |      | L                     |
| $T_J < T_{(TEF)}$ | L     | $OUTn > V_{(LOD)}$ | L                 | L    | High-Z                |
|                   |       | $OUTn < V_{(LOD)}$ |                   | H    | L                     |
| $T_J > T_{(TEF)}$ |       | $OUTn > V_{(LOD)}$ | H                 | L    | L                     |
|                   |       | $OUTn < V_{(LOD)}$ |                   | H    | L                     |

(1) Note: High-Z means high impedance

### TEF: Thermal Error Flag

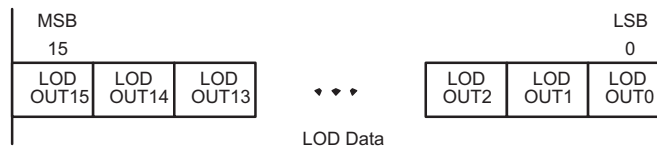
The TLC5924 provides a temperature error flag (TEF) circuit to indicate an over-temperature condition of the IC. If the junction temperature exceeds the threshold temperature  $T_{(TEF)}$  (160°C typical), TEF becomes H and XERR pin goes to low level. When the junction temperature becomes lower than the threshold temperature, TEF becomes L and XERR pin becomes high impedance.

### LOD: LED-Open Detection

The TLC5924 has an LED-open detector to detect broken or disconnected LEDs, which should be connected to the output. The LED-open detector pulls the XERR pin down to GND when the LED open is detected. An open LED is detected when the following three conditions are met:

1. BLANK is low
2. On/Off data is high
3. The voltage of OUTn is less than 0.3 V (typical)

The LOD status of each output can also be read out from the SOUT pin. [Figure 12](#) shows the LOD data format. [Table 4](#) shows the LOD truth table.



**Figure 12. LOD Data Format**

**Table 4. LOD Data Truth Table**

| LED  | ON/OFF | LOD BIT |
|------|--------|---------|
| Good | On     | 0       |
| Good | Off    | 0       |
| Bad  | On     | 1       |
| Bad  | Off    | 0       |

**Key Timing Requirements to Reading LOD**

- LOD status flag**

The LOD status flag becomes active if the output voltage is  $<0.3\text{ V}$  (typical) when the output sink current turns on. There is a  $1\text{-}\mu\text{s}$  time delay from the time the output sink current turns on until the time the LOD status flag becomes valid. The timing for each channel's LOD status to become valid is shifted by the  $30\text{ ns}$  channel-to-channel turn-on time. After BLANK goes low, OUT0 LOD status is valid when  $\text{tpd2} + \text{tpd4} = 60\text{ ns} + 1\text{ }\mu\text{s} = 1.06\text{ }\mu\text{s}$ . OUT1 LOD status is valid when  $\text{tpd2} + \text{tpd4} + \text{td} = 60\text{ ns} + 1\text{ }\mu\text{s} + 30\text{ ns} = 1.09\text{ }\mu\text{s}$ . OUT3 LOD status is valid when  $\text{tpd2} + \text{tpd4} + 2*\text{td} = 1.12\text{ }\mu\text{s}$ , and so on.
- LOD internal latch**

The TLC5924 has an internal latch to hold each channel's LOD status flag information, as shown in [Figure 13](#). When MODE is low, the LOD status information is latched into this latch on the rising edge of XLAT. This is an edge-triggered latch. To ensure that a valid LOD status flag is latched, BLANK must be low when XLAT goes high. After the rising edge of XLAT, changes in the status flags do not affect the values in the LOD latch.
- Loading LOD data to the input shift register**

The LOD data must be transferred to the input shift register before it is available to be clocked out of SOUT. The internal shift register has a set/reset function that is controlled by the LOD internal latch. While XLAT is high, the LOD internal latch holds the input shift register in either set or reset, depending on the value in the latch. This effectively puts the LOD data into the input shift register where it remains as long as XLAT is high. The values in the input shift register are unaffected by any other signals, including SIN and SCLK while XLAT is high. During this time, the status of OUT15 is present on SOUT.
- Latching LOD data into the internal shift register**

While XLAT is high, the status of OUT15 is present on SOUT. When XLAT transitions low, all data is latched into the Input shift register, and the LOD internal latch is disconnected from the internal shift register.
- Clocking LOD data out of SOUT**

While XLAT is low and SCLK is low, the status of OUT15 is on SOUT. On the next rising edge of SCLK, the status of OUT14 shifts to SOUT. Each subsequent rising edge of SCLK shifts the LOD data out of SOUT. XLAT must stay low until all LOD data is clocked out of SOUT. See *Shifting the LOD Data Out* section for more details.

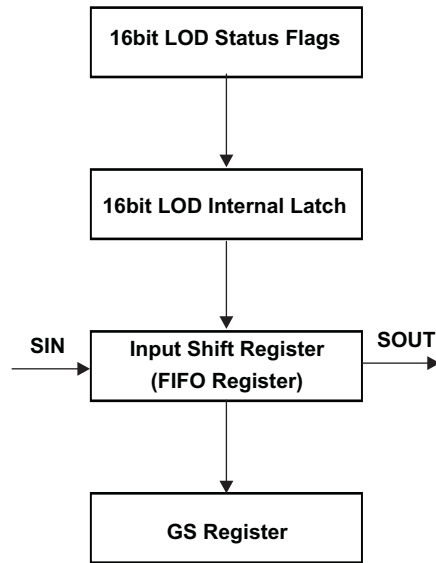


Figure 13. LOD Flags and Latches

**Shifting the LOD Data Out**

SOUT outputs the LOD data as shown in Figure 14, where:

- XLAT rising edge  
Holds the LOD status flag. SOUT outputs LOD OUT15 data. BLANK must be low.
- XLAT = H  
Sets or resets the input shift register depending on each LOD data.  
Set/Reset function is higher priority than shifting the register value. If XLAT is high and the SCLK pin is pulsed, all LOD data are kept in the shift register and SOUT keeps the LOD OUT15 data.
- XLAT = L  
Ready to shift out LOD data by SCLK. SOUT contains LOD OUT15 data at this time. BLANK can be high or low during this time.
- SCLK rising edge  
SOUT outputs LOD OUT14 at the first SCLK rising edge. SOUT outputs LOD OUT13 at the second SCLK rising edge, and continues to output the next LOD data at each SCLK rising edge.

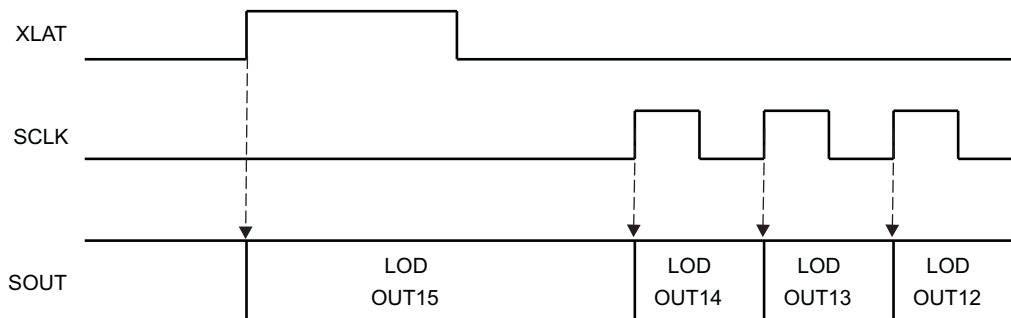
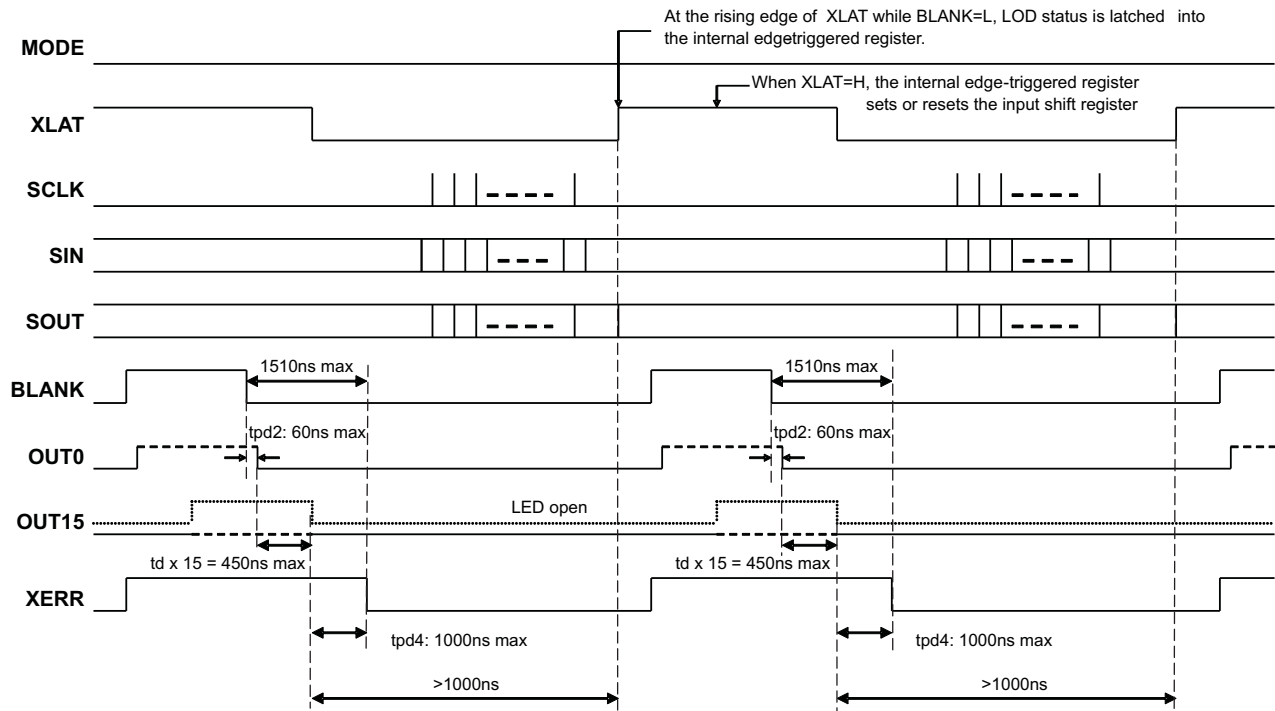


Figure 14. The LOD Data of SOUT

Figure 15 shows the timing chart of reading LOD data.



**Figure 15. Timing Chart of Reading LOD Data**

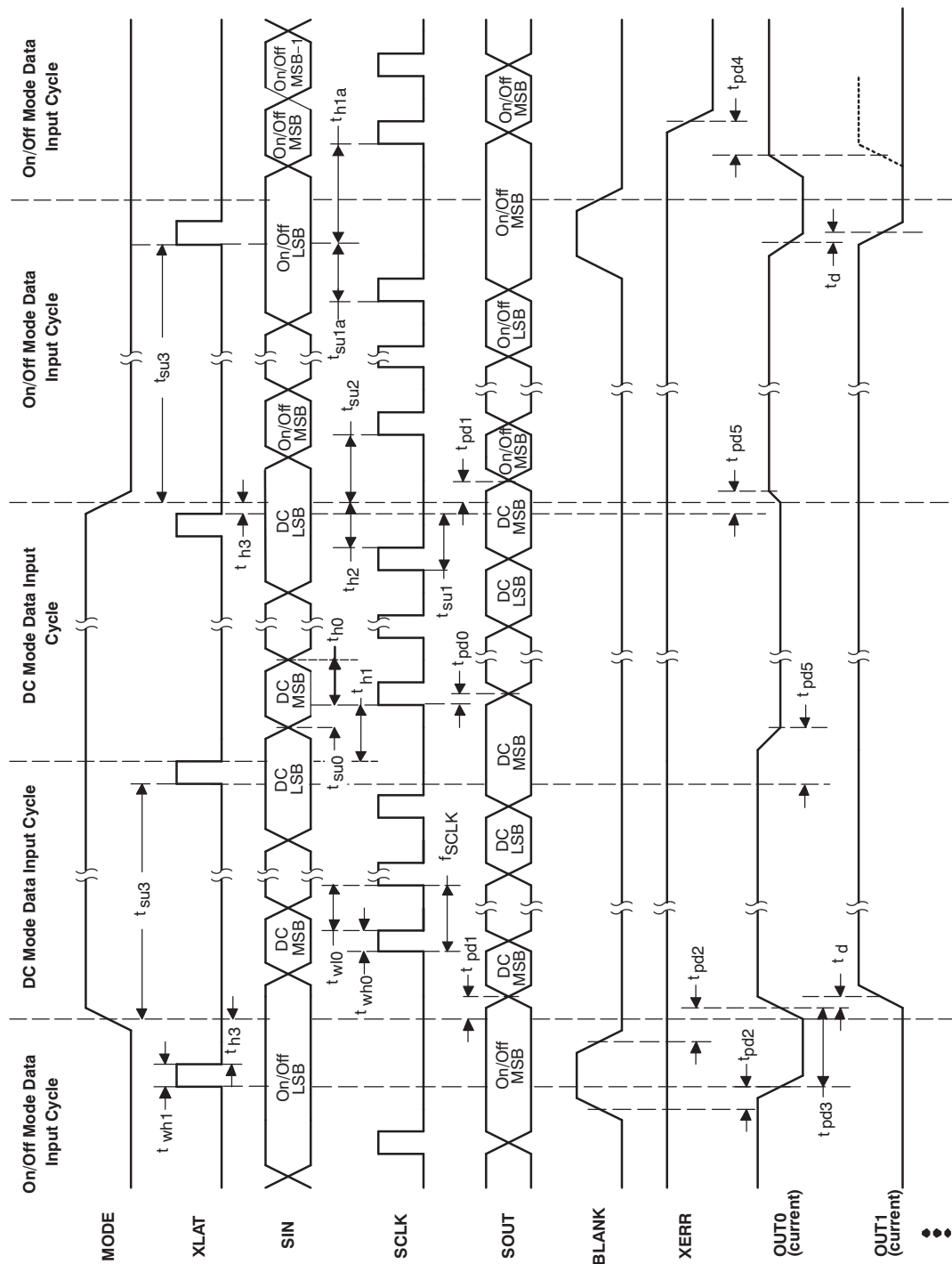


Figure 16. Timing Chart Example for ON/OFF Setting to Dot-Correction



TYPICAL CHARACTERISTICS

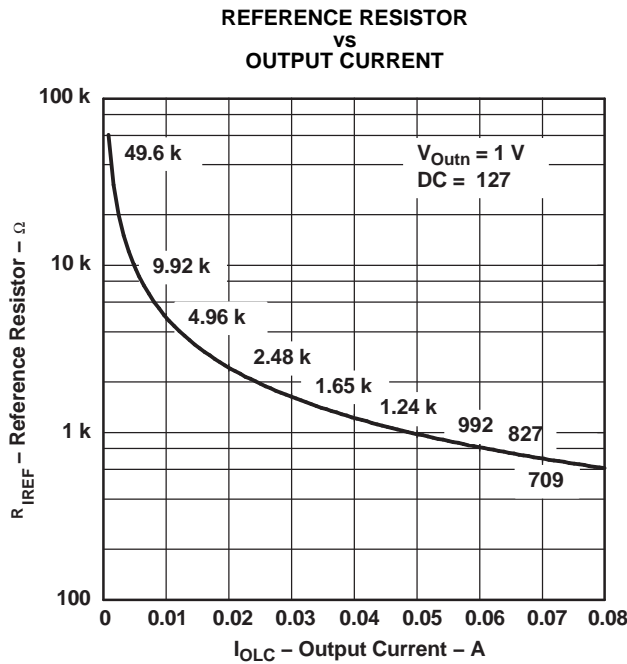


Figure 17.

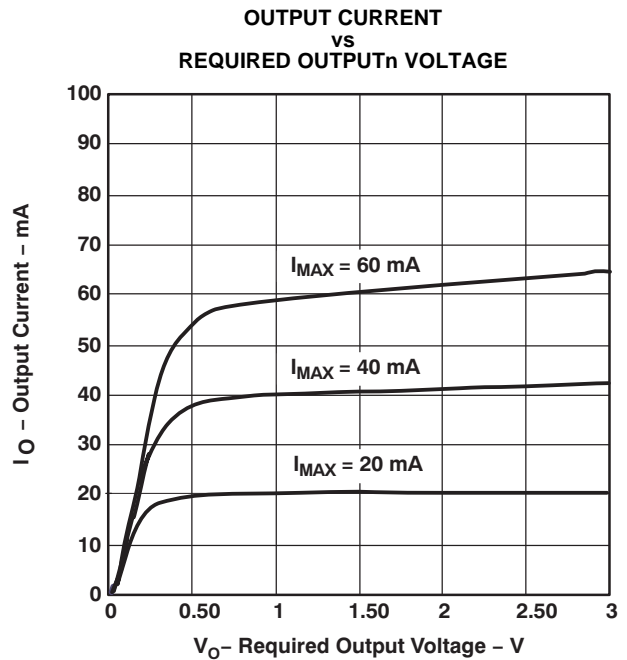


Figure 18.

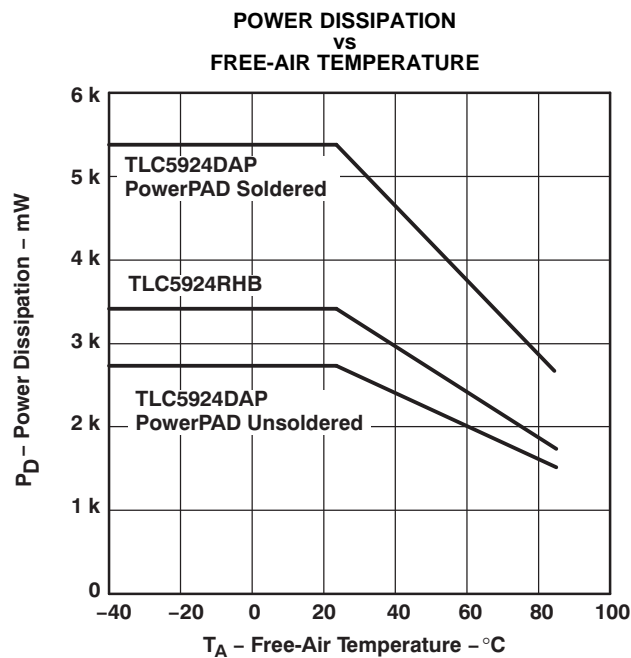
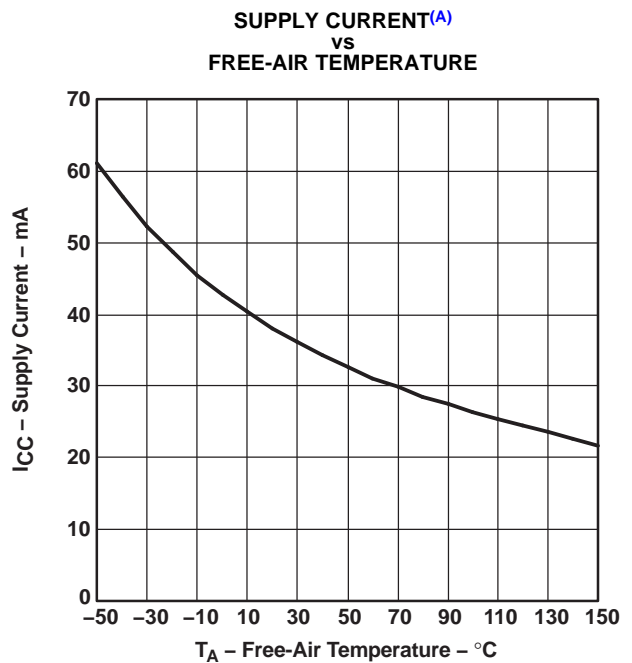


Figure 19.



A. Data Transfer = 30 MHz / All Outputs, ON/V<sub>O</sub> = 1 V / R<sub>IREF</sub> = 600 Ω / AV<sub>DD</sub> = 5 V  
Figure 20.

Power Rating – Free-Air Temperature

Figure 19 shows total power dissipation. Figure 20 shows supply current versus free-air temperature.

**PACKAGING INFORMATION**

| Orderable Device | Status<br>(1) | Package Type | Package Drawing | Pins | Package Qty | Eco Plan<br>(2)         | Lead/Ball Finish<br>(6) | MSL Peak Temp<br>(3) | Op Temp (°C) | Device Marking<br>(4/5) | Samples                 |
|------------------|---------------|--------------|-----------------|------|-------------|-------------------------|-------------------------|----------------------|--------------|-------------------------|-------------------------|
| TLC5924DAP       | ACTIVE        | HTSSOP       | DAP             | 32   | 46          | Green (RoHS & no Sb/Br) | CU NIPDAU               | Level-3-260C-168 HR  | -40 to 85    | TLC5924                 | <a href="#">Samples</a> |
| TLC5924DAPG4     | ACTIVE        | HTSSOP       | DAP             | 32   | 46          | Green (RoHS & no Sb/Br) | CU NIPDAU               | Level-3-260C-168 HR  | -40 to 85    | TLC5924                 | <a href="#">Samples</a> |
| TLC5924DAPR      | ACTIVE        | HTSSOP       | DAP             | 32   | 2000        | Green (RoHS & no Sb/Br) | CU NIPDAU               | Level-3-260C-168 HR  | -40 to 85    | TLC5924                 | <a href="#">Samples</a> |
| TLC5924DAPRG4    | ACTIVE        | HTSSOP       | DAP             | 32   | 2000        | Green (RoHS & no Sb/Br) | CU NIPDAU               | Level-3-260C-168 HR  | -40 to 85    | TLC5924                 | <a href="#">Samples</a> |
| TLC5924RHBR      | ACTIVE        | VQFN         | RHB             | 32   | 3000        | Green (RoHS & no Sb/Br) | CU NIPDAU               | Level-2-260C-1 YEAR  | -40 to 85    | TLC<br>5924             | <a href="#">Samples</a> |
| TLC5924RHBT      | ACTIVE        | VQFN         | RHB             | 32   | 250         | Green (RoHS & no Sb/Br) | CU NIPDAU               | Level-2-260C-1 YEAR  | -40 to 85    | TLC<br>5924             | <a href="#">Samples</a> |
| TLC5924RHBTG4    | ACTIVE        | VQFN         | RHB             | 32   | 250         | Green (RoHS & no Sb/Br) | CU NIPDAU               | Level-2-260C-1 YEAR  | -40 to 85    | TLC<br>5924             | <a href="#">Samples</a> |

(1) The marketing status values are defined as follows:

**ACTIVE:** Product device recommended for new designs.

**LIFEBUY:** TI has announced that the device will be discontinued, and a lifetime-buy period is in effect.

**NRND:** Not recommended for new designs. Device is in production to support existing customers, but TI does not recommend using this part in a new design.

**PREVIEW:** Device has been announced but is not in production. Samples may or may not be available.

**OBSOLETE:** TI has discontinued the production of the device.

(2) Eco Plan - The planned eco-friendly classification: Pb-Free (RoHS), Pb-Free (RoHS Exempt), or Green (RoHS & no Sb/Br) - please check <http://www.ti.com/productcontent> for the latest availability information and additional product content details.

**TBD:** The Pb-Free/Green conversion plan has not been defined.

**Pb-Free (RoHS):** TI's terms "Lead-Free" or "Pb-Free" mean semiconductor products that are compatible with the current RoHS requirements for all 6 substances, including the requirement that lead not exceed 0.1% by weight in homogeneous materials. Where designed to be soldered at high temperatures, TI Pb-Free products are suitable for use in specified lead-free processes.

**Pb-Free (RoHS Exempt):** This component has a RoHS exemption for either 1) lead-based flip-chip solder bumps used between the die and package, or 2) lead-based die adhesive used between the die and leadframe. The component is otherwise considered Pb-Free (RoHS compatible) as defined above.

**Green (RoHS & no Sb/Br):** TI defines "Green" to mean Pb-Free (RoHS compatible), and free of Bromine (Br) and Antimony (Sb) based flame retardants (Br or Sb do not exceed 0.1% by weight in homogeneous material)

(3) MSL, Peak Temp. - The Moisture Sensitivity Level rating according to the JEDEC industry standard classifications, and peak solder temperature.

(4) There may be additional marking, which relates to the logo, the lot trace code information, or the environmental category on the device.

<sup>(5)</sup> Multiple Device Markings will be inside parentheses. Only one Device Marking contained in parentheses and separated by a "-" will appear on a device. If a line is indented then it is a continuation of the previous line and the two combined represent the entire Device Marking for that device.

<sup>(6)</sup> Lead/Ball Finish - Orderable Devices may have multiple material finish options. Finish options are separated by a vertical ruled line. Lead/Ball Finish values may wrap to two lines if the finish value exceeds the maximum column width.

**Important Information and Disclaimer:**The information provided on this page represents TI's knowledge and belief as of the date that it is provided. TI bases its knowledge and belief on information provided by third parties, and makes no representation or warranty as to the accuracy of such information. Efforts are underway to better integrate information from third parties. TI has taken and continues to take reasonable steps to provide representative and accurate information but may not have conducted destructive testing or chemical analysis on incoming materials and chemicals. TI and TI suppliers consider certain information to be proprietary, and thus CAS numbers and other limited information may not be available for release.

In no event shall TI's liability arising out of such information exceed the total purchase price of the TI part(s) at issue in this document sold by TI to Customer on an annual basis.

## TAPE AND REEL INFORMATION



### QUADRANT ASSIGNMENTS FOR PIN 1 ORIENTATION IN TAPE



\*All dimensions are nominal

| Device      | Package Type | Package Drawing | Pins | SPQ  | Reel Diameter (mm) | Reel Width W1 (mm) | A0 (mm) | B0 (mm) | K0 (mm) | P1 (mm) | W (mm) | Pin1 Quadrant |
|-------------|--------------|-----------------|------|------|--------------------|--------------------|---------|---------|---------|---------|--------|---------------|
| TLC5924DAPR | HTSSOP       | DAP             | 32   | 2000 | 330.0              | 24.4               | 8.6     | 11.5    | 1.6     | 12.0    | 24.0   | Q1            |
| TLC5924RHBR | VQFN         | RHB             | 32   | 3000 | 330.0              | 12.4               | 5.3     | 5.3     | 1.5     | 8.0     | 12.0   | Q2            |
| TLC5924RHBT | VQFN         | RHB             | 32   | 250  | 180.0              | 12.4               | 5.3     | 5.3     | 1.5     | 8.0     | 12.0   | Q2            |

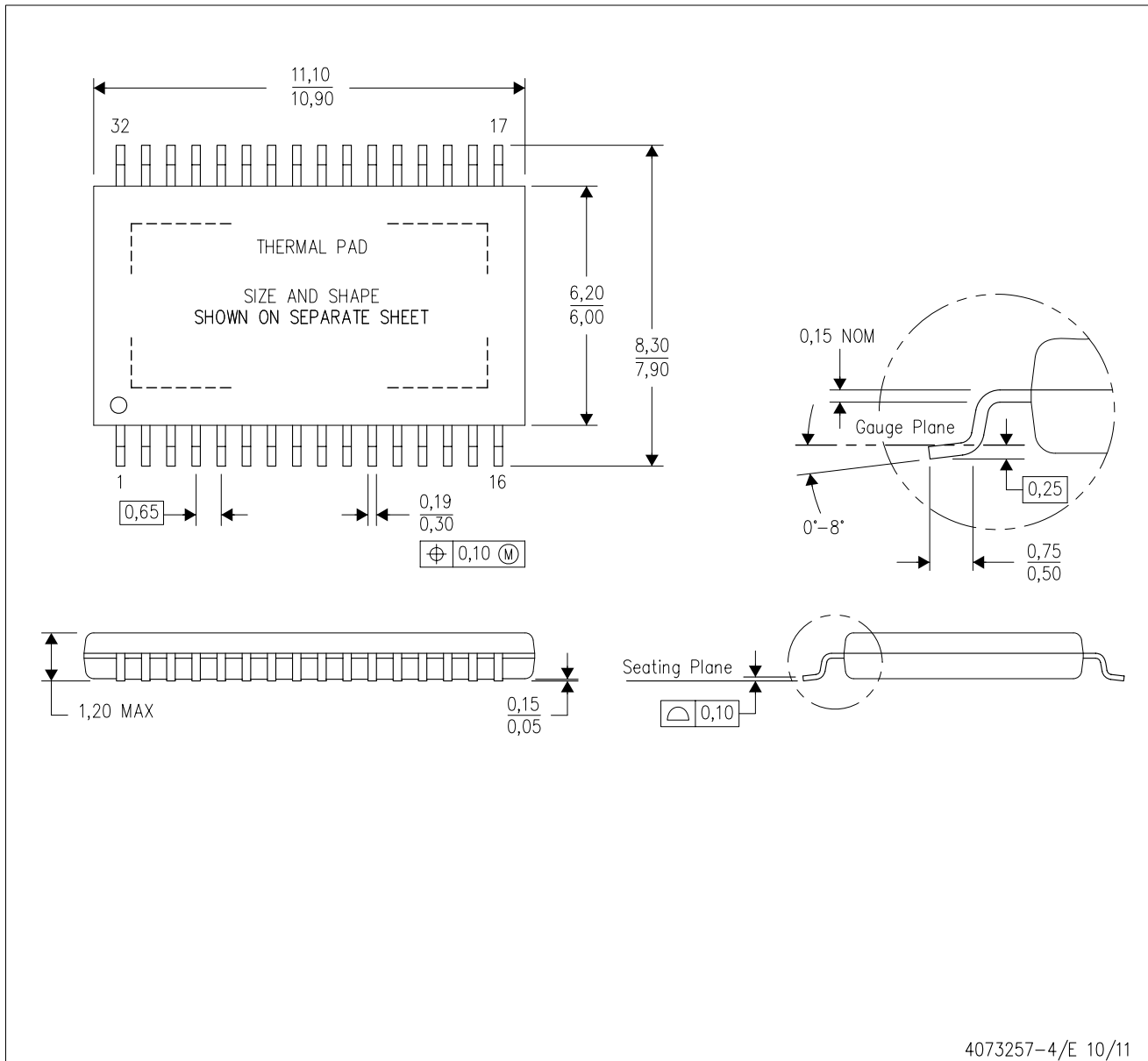
**TAPE AND REEL BOX DIMENSIONS**


\*All dimensions are nominal


| Device      | Package Type | Package Drawing | Pins | SPQ  | Length (mm) | Width (mm) | Height (mm) |
|-------------|--------------|-----------------|------|------|-------------|------------|-------------|
| TLC5924DAPR | HTSSOP       | DAP             | 32   | 2000 | 367.0       | 367.0      | 45.0        |
| TLC5924RHBR | VQFN         | RHB             | 32   | 3000 | 367.0       | 367.0      | 35.0        |
| TLC5924RHBT | VQFN         | RHB             | 32   | 250  | 210.0       | 185.0      | 35.0        |

# MECHANICAL DATA

DAP (R-PDSO-G32) PowerPAD™ PLASTIC SMALL-OUTLINE PACKAGE



4073257-4/E 10/11

- NOTES:
- A. All linear dimensions are in millimeters.
  - B. This drawing is subject to change without notice.
  - C. Body dimensions do not include mold flash or protrusion. Mold flash and protrusion shall not exceed 0.15 per side.
  - D. This package is designed to be soldered to a thermal pad on the board. Refer to Technical Brief, PowerPad Thermally Enhanced Package, Texas Instruments Literature No. SLMA002 for information regarding recommended board layout. This document is available at [www.ti.com](http://www.ti.com) <<http://www.ti.com>>.
-  Falls within JEDEC MO-153 Variation DCT.

PowerPAD is a trademark of Texas Instruments.

# THERMAL PAD MECHANICAL DATA

DAP (R-PDSO-G32)

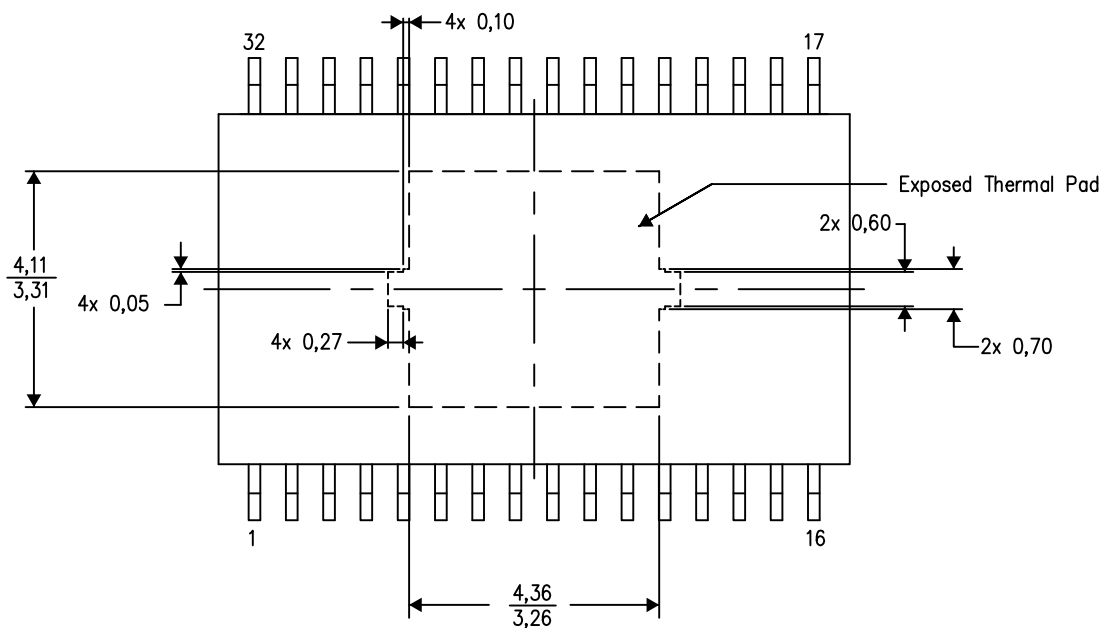
PowerPAD™ PLASTIC SMALL OUTLINE

## THERMAL INFORMATION

This PowerPAD™ package incorporates an exposed thermal pad that is designed to be attached to a printed circuit board (PCB). The thermal pad must be soldered directly to the PCB. After soldering, the PCB can be used as a heatsink. In addition, through the use of thermal vias, the thermal pad can be attached directly to the appropriate copper plane shown in the electrical schematic for the device, or alternatively, can be attached to a special heatsink structure designed into the PCB. This design optimizes the heat transfer from the integrated circuit (IC).

For additional information on the PowerPAD package and how to take advantage of its heat dissipating abilities, refer to Technical Brief, PowerPAD Thermally Enhanced Package, Texas Instruments Literature No. SLMA002 and Application Brief, PowerPAD Made Easy, Texas Instruments Literature No. SLMA004. Both documents are available at [www.ti.com](http://www.ti.com).

The exposed thermal pad dimensions for this package are shown in the following illustration.



Top View  
Exposed Thermal Pad Dimensions

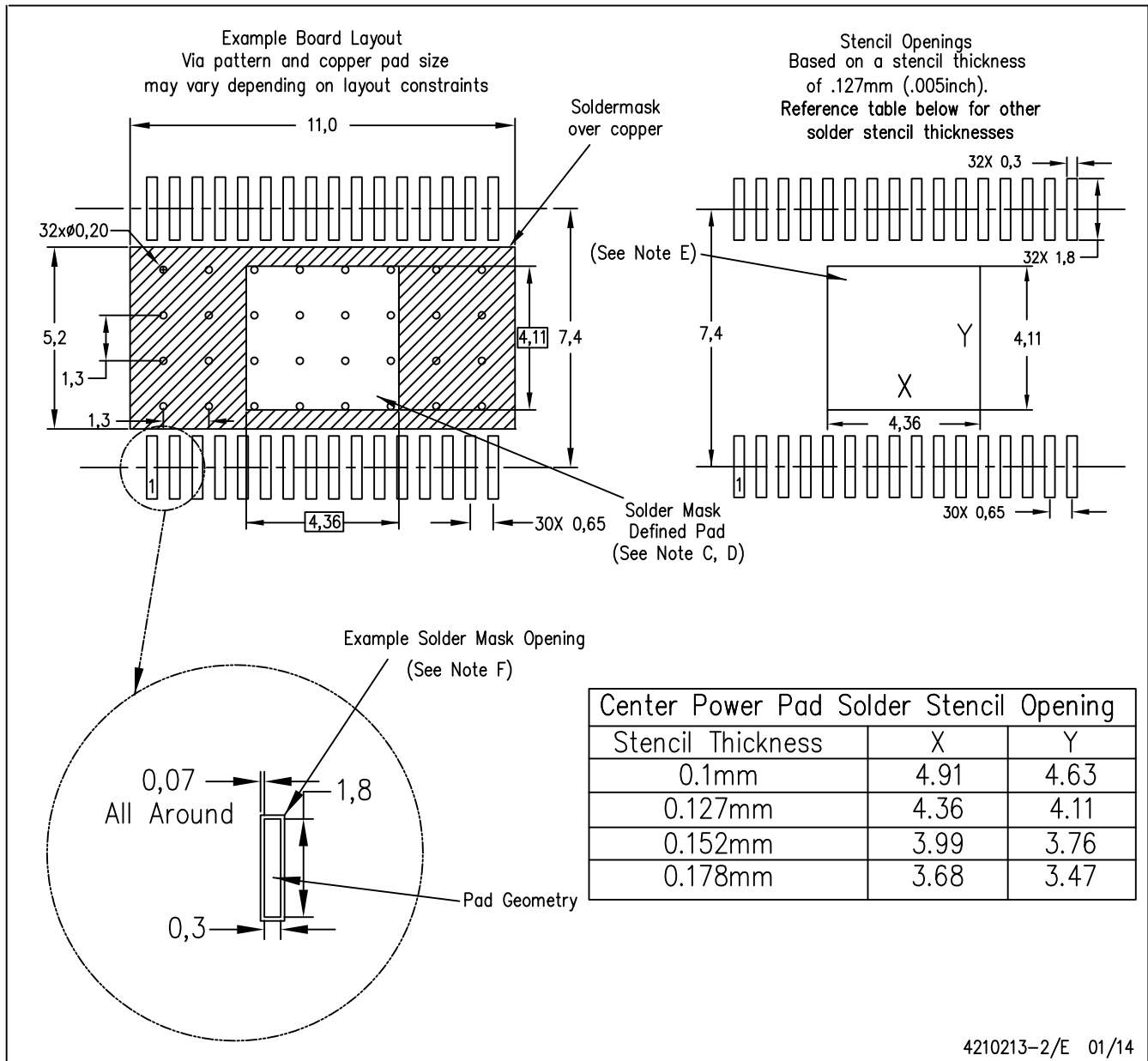
4206319-3/M 09/13

NOTE: All linear dimensions are in millimeters

PowerPAD is a trademark of Texas Instruments.

# LAND PATTERN DATA

## DAP (R-PDSO-G32) PowerPAD™ PLASTIC SMALL OUTLINE PACKAGE



4210213-2/E 01/14

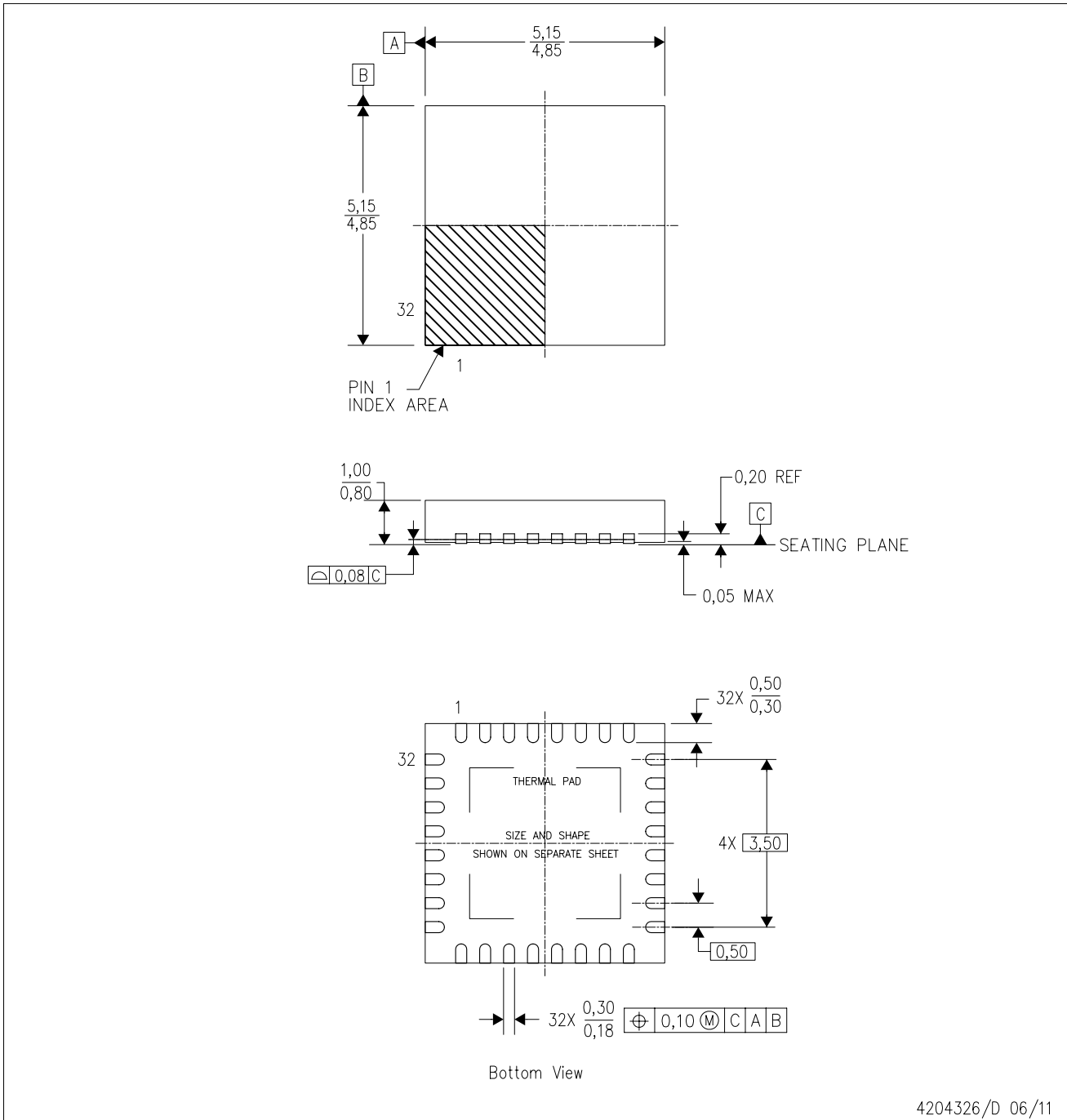
- NOTES:
- All linear dimensions are in millimeters.
  - This drawing is subject to change without notice.
  - Customers should place a note on the circuit board fabrication drawing not to alter the center solder mask defined pad.
  - This package is designed to be soldered to a thermal pad on the board. Refer to Technical Brief, PowerPad Thermally Enhanced Package, Texas Instruments Literature No. SLMA002, SLMA004, and also the Product Data Sheets for specific thermal information, via requirements, and recommended board layout. These documents are available at [www.ti.com](http://www.ti.com) <<http://www.ti.com>>. Publication IPC-7351 is recommended for alternate designs.
  - Laser cutting apertures with trapezoidal walls and also rounding corners will offer better paste release. Customers should contact their board assembly site for stencil design recommendations. Refer to IPC-7525 for other stencil recommendations.
  - Contact the board fabrication site for recommended soldermask tolerances.

PowerPAD is a trademark of Texas Instruments



RHB (S-PVQFN-N32)

PLASTIC QUAD FLATPACK NO-LEAD



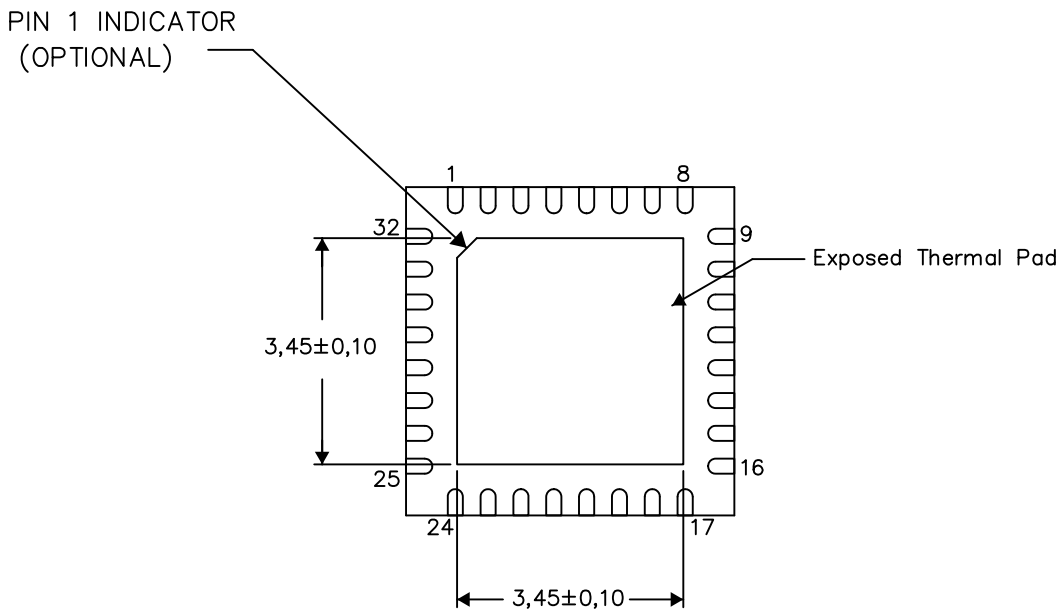
- NOTES:
- All linear dimensions are in millimeters. Dimensioning and tolerancing per ASME Y14.5M-1994.
  - This drawing is subject to change without notice.
  - QFN (Quad Flatpack No-Lead) Package configuration.
  - The package thermal pad must be soldered to the board for thermal and mechanical performance.
  - See the additional figure in the Product Data Sheet for details regarding the exposed thermal pad features and dimensions.
  - Falls within JEDEC MO-220.

THERMAL INFORMATION

This package incorporates an exposed thermal pad that is designed to be attached directly to an external heatsink. The thermal pad must be soldered directly to the printed circuit board (PCB). After soldering, the PCB can be used as a heatsink. In addition, through the use of thermal vias, the thermal pad can be attached directly to the appropriate copper plane shown in the electrical schematic for the device, or alternatively, can be attached to a special heatsink structure designed into the PCB. This design optimizes the heat transfer from the integrated circuit (IC).

For information on the Quad Flatpack No-Lead (QFN) package and its advantages, refer to Application Report, QFN/SON PCB Attachment, Texas Instruments Literature No. SLUA271. This document is available at [www.ti.com](http://www.ti.com).

The exposed thermal pad dimensions for this package are shown in the following illustration.



Bottom View

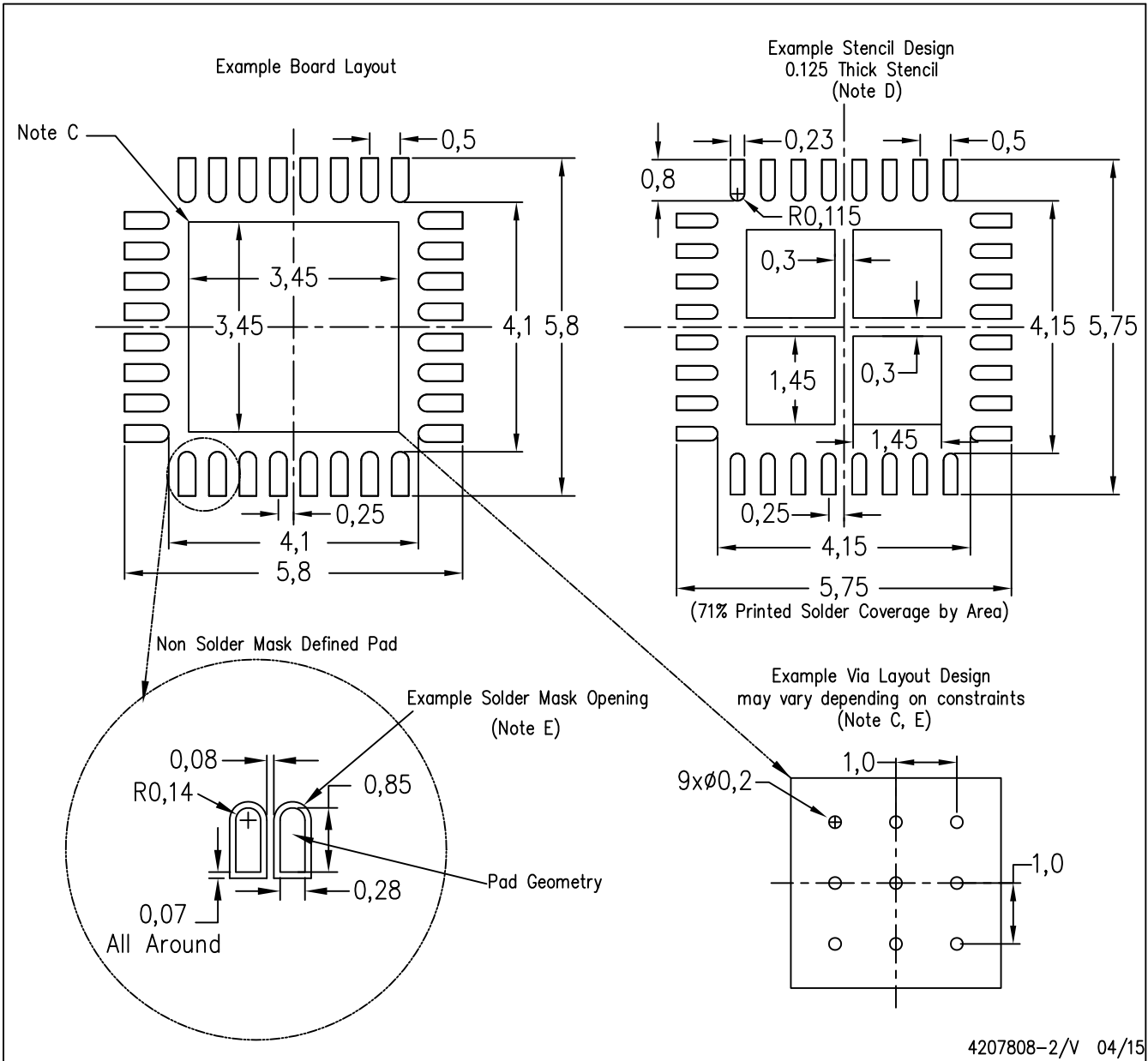
Exposed Thermal Pad Dimensions

4206356-2/AC 05/15

NOTE: A. All linear dimensions are in millimeters

RHB (S-PVQFN-N32)

PLASTIC QUAD FLATPACK NO-LEAD



4207808-2/V 04/15

- NOTES:
- All linear dimensions are in millimeters.
  - This drawing is subject to change without notice.
  - This package is designed to be soldered to a thermal pad on the board. Refer to Application Note, Quad Flat-Pack Packages, Texas Instruments Literature No. SLUA271, and also the Product Data Sheets for specific thermal information, via requirements, and recommended board layout. These documents are available at [www.ti.com](http://www.ti.com) <<http://www.ti.com>>.
  - Laser cutting apertures with trapezoidal walls and also rounding corners will offer better paste release. Customers should contact their board assembly site for stencil design recommendations. Refer to IPC 7525 for stencil design considerations.
  - Customers should contact their board fabrication site for recommended solder mask tolerances and via tenting recommendations for any larger diameter vias placed in the thermal pad.

## IMPORTANT NOTICE

Texas Instruments Incorporated and its subsidiaries (TI) reserve the right to make corrections, enhancements, improvements and other changes to its semiconductor products and services per JESD46, latest issue, and to discontinue any product or service per JESD48, latest issue. Buyers should obtain the latest relevant information before placing orders and should verify that such information is current and complete. All semiconductor products (also referred to herein as "components") are sold subject to TI's terms and conditions of sale supplied at the time of order acknowledgment.

TI warrants performance of its components to the specifications applicable at the time of sale, in accordance with the warranty in TI's terms and conditions of sale of semiconductor products. Testing and other quality control techniques are used to the extent TI deems necessary to support this warranty. Except where mandated by applicable law, testing of all parameters of each component is not necessarily performed.

TI assumes no liability for applications assistance or the design of Buyers' products. Buyers are responsible for their products and applications using TI components. To minimize the risks associated with Buyers' products and applications, Buyers should provide adequate design and operating safeguards.

TI does not warrant or represent that any license, either express or implied, is granted under any patent right, copyright, mask work right, or other intellectual property right relating to any combination, machine, or process in which TI components or services are used. Information published by TI regarding third-party products or services does not constitute a license to use such products or services or a warranty or endorsement thereof. Use of such information may require a license from a third party under the patents or other intellectual property of the third party, or a license from TI under the patents or other intellectual property of TI.

Reproduction of significant portions of TI information in TI data books or data sheets is permissible only if reproduction is without alteration and is accompanied by all associated warranties, conditions, limitations, and notices. TI is not responsible or liable for such altered documentation. Information of third parties may be subject to additional restrictions.

Resale of TI components or services with statements different from or beyond the parameters stated by TI for that component or service voids all express and any implied warranties for the associated TI component or service and is an unfair and deceptive business practice. TI is not responsible or liable for any such statements.

Buyer acknowledges and agrees that it is solely responsible for compliance with all legal, regulatory and safety-related requirements concerning its products, and any use of TI components in its applications, notwithstanding any applications-related information or support that may be provided by TI. Buyer represents and agrees that it has all the necessary expertise to create and implement safeguards which anticipate dangerous consequences of failures, monitor failures and their consequences, lessen the likelihood of failures that might cause harm and take appropriate remedial actions. Buyer will fully indemnify TI and its representatives against any damages arising out of the use of any TI components in safety-critical applications.

In some cases, TI components may be promoted specifically to facilitate safety-related applications. With such components, TI's goal is to help enable customers to design and create their own end-product solutions that meet applicable functional safety standards and requirements. Nonetheless, such components are subject to these terms.

No TI components are authorized for use in FDA Class III (or similar life-critical medical equipment) unless authorized officers of the parties have executed a special agreement specifically governing such use.

Only those TI components which TI has specifically designated as military grade or "enhanced plastic" are designed and intended for use in military/aerospace applications or environments. Buyer acknowledges and agrees that any military or aerospace use of TI components which have **not** been so designated is solely at the Buyer's risk, and that Buyer is solely responsible for compliance with all legal and regulatory requirements in connection with such use.

TI has specifically designated certain components as meeting ISO/TS16949 requirements, mainly for automotive use. In any case of use of non-designated products, TI will not be responsible for any failure to meet ISO/TS16949.

### Products

|                              |  |
|------------------------------|--|
| Audio                        | <a href="http://www.ti.com/audio">www.ti.com/audio</a>                               |
| Amplifiers                   | <a href="http://amplifier.ti.com">amplifier.ti.com</a>                               |
| Data Converters              | <a href="http://dataconverter.ti.com">dataconverter.ti.com</a>                       |
| DLP® Products                | <a href="http://www.dlp.com">www.dlp.com</a>   |
| DSP                          | <a href="http://dsp.ti.com">dsp.ti.com</a>   |
| Clocks and Timers            | <a href="http://www.ti.com/clocks">www.ti.com/clocks</a>                             |
| Interface                    | <a href="http://interface.ti.com">interface.ti.com</a>                               |
| Logic                        | <a href="http://logic.ti.com">logic.ti.com</a>                                       |
| Power Mgmt                   | <a href="http://power.ti.com">power.ti.com</a>                                       |
| Microcontrollers             | <a href="http://microcontroller.ti.com">microcontroller.ti.com</a>                   |
| RFID                         | <a href="http://www.ti-rfid.com">www.ti-rfid.com</a>                                 |
| OMAP Applications Processors | <a href="http://www.ti.com/omap">www.ti.com/omap</a>                                 |
| Wireless Connectivity        | <a href="http://www.ti.com/wirelessconnectivity">www.ti.com/wirelessconnectivity</a> |

### Applications

|                               |  |
|-------------------------------|--|
| Automotive and Transportation | <a href="http://www.ti.com/automotive">www.ti.com/automotive</a>                         |
| Communications and Telecom    | <a href="http://www.ti.com/communications">www.ti.com/communications</a>                 |
| Computers and Peripherals     | <a href="http://www.ti.com/computers">www.ti.com/computers</a>                           |
| Consumer Electronics          | <a href="http://www.ti.com/consumer-apps">www.ti.com/consumer-apps</a>                   |
| Energy and Lighting           | <a href="http://www.ti.com/energy">www.ti.com/energy</a>                                 |
| Industrial                    | <a href="http://www.ti.com/industrial">www.ti.com/industrial</a>                         |
| Medical                       | <a href="http://www.ti.com/medical">www.ti.com/medical</a>                               |
| Security                      | <a href="http://www.ti.com/security">www.ti.com/security</a>                             |
| Space, Avionics and Defense   | <a href="http://www.ti.com/space-avionics-defense">www.ti.com/space-avionics-defense</a> |
| Video and Imaging             | <a href="http://www.ti.com/video">www.ti.com/video</a>                                   |

### TI E2E Community

[e2e.ti.com](http://e2e.ti.com)