

TMS320F2807x Piccolo™ Microcontrollers

1 Device Overview

1.1 Features

- TMS320C28x 32-Bit CPU
 - 120 MHz
 - IEEE 754 Single-Precision Floating-Point Unit (FPU)
 - Trigonometric Math Unit (TMU)
- Programmable Control Law Accelerator (CLA)
 - 120 MHz
 - IEEE 754 Single-Precision Floating-Point Instructions
 - Executes Code Independently of Main CPU
- On-Chip Memory
 - 512KB (256KW) of Flash (ECC-Protected)
 - 100KB (50KW) of RAM (ECC-Protected or Parity-Protected)
 - Dual-Zone Security Supporting Third-Party Development
- Clock and System Control
 - Two Internal Zero-Pin 10-MHz Oscillators
 - On-Chip Crystal Oscillator
 - Windowed Watchdog Timer Module
 - Missing Clock Detection Circuitry
- 3.3-V I/O With Available Internal Voltage Regulator for 1.2-V Core Supply
- System Peripherals
 - External Memory Interface (EMIF) With ASRAM and SDRAM Support
 - 6-Channel Direct Memory Access (DMA) Controller
 - Up to 97 Individually Programmable, Multiplexed General-Purpose Input/Output (GPIO) Pins With Input Filtering
 - Expanded Peripheral Interrupt Controller (ePIE)
 - Multiple Low-Power Mode (LPM) Support With External Wakeup
- Communications Peripherals
 - USB 2.0 (MAC + PHY)
 - Two Controller Area Network (CAN) Modules (Pin-Bootable)
 - Three High-Speed (up to 30-MHz) SPI Ports (Pin-Bootable)
 - Two Multichannel Buffered Serial Ports (McBSPs)
 - Four Serial Communications Interfaces (SCI/UART) (Pin-Bootable)
 - Two I²C Interfaces (Pin-Bootable)
- Analog Subsystem
 - Up to Three Analog-to-Digital Converters (ADCs)
 - 12-Bit Mode
 - 3.1 MSPS Each (up to 9.3-MSPS System Throughput)
 - Single-Ended Inputs
 - Up to 17 External Channels
 - Single Sample-and-Hold (S/H) on Each ADC
 - Hardware-Integrated Post-Processing of ADC Conversions
 - Saturating Offset Calibration
 - Error From Setpoint Calculation
 - High, Low, and Zero-Crossing Compare, With Interrupt Capability
 - Trigger-to-Sample Delay Capture
 - Eight Windowed Comparators With 12-Bit Digital-to-Analog Converter (DAC) References
 - Three 12-Bit Buffered DAC Outputs
- Enhanced Control Peripherals
 - 24 PWM Channels With Enhanced Features
 - 16 High-Resolution Pulse Width Modulator (HRPWM) Channels
 - High Resolution on Both A and B Channels of 8 PWM Modules
 - Dead-Band Support (on Both Standard and High Resolution)
 - Six Enhanced Capture (eCAP) Modules
 - Three Enhanced Quadrature Encoder Pulse (eQEP) Modules
 - Up to Eight Sigma-Delta Filter Module (SDFM) Input Channels, 2 Parallel Filters per Channel
 - Standard SDFM Data Filtering
 - Comparator Filter for Fast Action for Out of Range
- Package Options:
 - 176-Pin PowerPAD™ Thermally Enhanced Low-Profile Quad Flatpack (HLQFP) [PTP Suffix]
 - 100-Pin PowerPAD Thermally Enhanced Thin Quad Flatpack (HTQFP) [PZP Suffix]
- Temperature Options:
 - T: –40°C to 105°C Junction
 - S: –40°C to 125°C Junction
 - Q: –40°C to 125°C Free-Air (Q100 Qualification for Automotive Applications)



1.2 Applications

- [Industrial Drives](#)
- [Solar Micro Inverters and Converters](#)
- [Digital Power](#)

1.3 Description

The TMS320F2807x microcontroller platform is part of the Piccolo™ family and is suited for advanced closed-loop control applications such as [industrial drives and servo motor control](#); [solar inverters and converters](#); [digital power](#); [transportation](#); and [power line communications](#). Complete development packages for digital power and industrial drives are available as part of the [powerSUITE](#) and [DesignDRIVE](#) initiatives.

The F2807x is a 32-bit floating-point microcontroller based on TI's industry-leading C28x core. This core is boosted by the trigonometric hardware accelerator which improves performance of trigonometric-based algorithms with CPU instructions such as sine, cosine, and arctangent functions, which are common in torque-loop and position calculations.

The F2807x microcontroller family features a CLA real-time control co-processor. The CLA is an independent 32-bit floating-point processor that runs at the same speed as the main CPU. The CLA responds to peripheral triggers and executes code concurrently with the main C28x CPU. This parallel processing capability can effectively double the computational performance of a real-time control system. By using the CLA to service time-critical functions, the main C28x CPU is free to perform other tasks, such as communications and diagnostics.

The F2807x device supports up to 512KB (256KW) of ECC-protected onboard flash memory and up to 100KB (50KW) of SRAM with parity. Two independent security zones are also available for 128-bit code protection of the main C28x.

The analog subsystem boasts up to three 12-bit ADCs, which enable simultaneous management of three independent power phases, and up to eight windowed comparator subsystems (CMPSSs), allowing very fast, direct trip of the PWMs in overvoltage or overcurrent conditions. In addition, the device has three 12-bit DACs, and precision control peripherals such as enhanced pulse width modulators (ePWMs) with fault protection, eQEP peripherals, and eCAP units.

Connectivity peripherals such as dual Controller Area Network (CAN) modules (ISO11898-1/CAN 2.0B-compliant) and a USB 2.0 port with MAC and full-speed PHY let users add universal serial bus (USB) connectivity to their application.

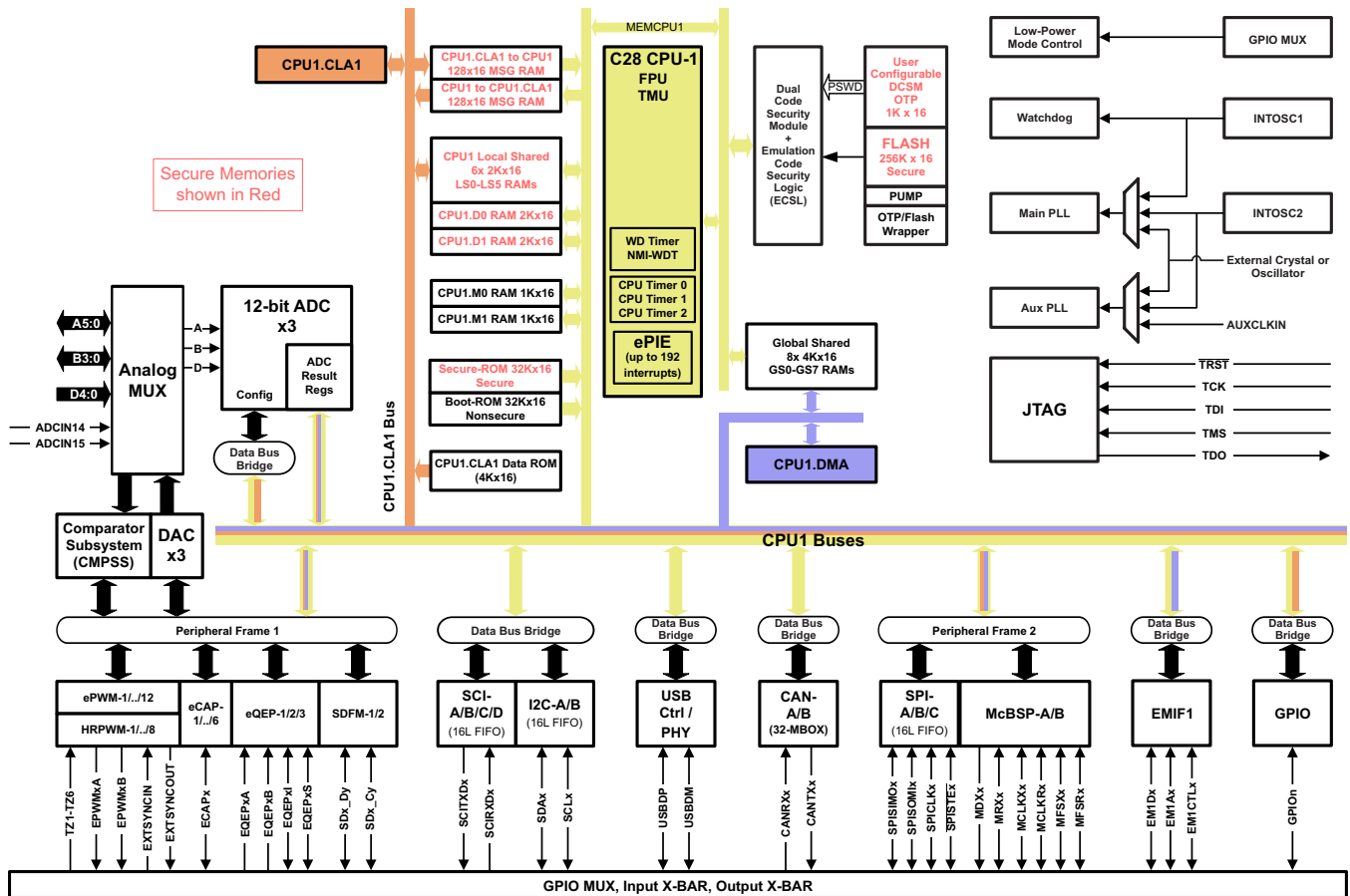
Device Information⁽¹⁾

PART NUMBER	PACKAGE	BODY SIZE
TMS320F28075PTP	HLQFP (176)	24.0 mm x 24.0 mm
TMS320F28075PZP	HTQFP (100)	14.0 mm x 14.0 mm

(1) For more information, see [Section 9, Mechanical Packaging and Orderable Information](#).

1.4 Functional Block Diagram

Figure 1-1 shows the CPU system and associated peripherals.



Copyright © 2016, Texas Instruments Incorporated

Figure 1-1. Functional Block Diagram

Table of Contents

1	Device Overview	1	6.2	Functional Block Diagram	153
1.1	Features	1	6.3	Memory	155
1.2	Applications	2	6.4	Identification	162
1.3	Description	2	6.5	Bus Architecture – Peripheral Connectivity	163
1.4	Functional Block Diagram	3	6.6	C28x Processor	164
2	Revision History	5	6.7	Control Law Accelerator	165
3	Device Comparison	6	6.8	Direct Memory Access	166
3.1	Related Products	8	6.9	Boot ROM and Peripheral Booting	168
4	Terminal Configuration and Functions	9	6.10	Dual Code Security Module	171
4.1	Pin Diagrams	9	6.11	Timers	171
4.2	Signal Descriptions	11	6.12	Nonmaskable Interrupt With Watchdog Timer (NMIWD)	171
4.3	Pins With Internal Pullup and Pulldown	26	6.13	Watchdog	172
4.4	Connections for Unused Pins	27	7	Applications, Implementation, and Layout	173
4.5	Pin Multiplexing	28	7.1	TI Design or Reference Design	173
5	Specifications	34	8	Device and Documentation Support	174
5.1	Absolute Maximum Ratings	34	8.1	Device and Development Support Tool Nomenclature	174
5.2	ESD Ratings	34	8.2	Tools and Software	175
5.3	Recommended Operating Conditions	35	8.3	Documentation Support	177
5.4	Power Consumption Summary	36	8.4	Related Links	178
5.5	Electrical Characteristics	40	8.5	Community Resources	178
5.6	Thermal Resistance Characteristics	41	8.6	Trademarks	178
5.7	System	42	8.7	Electrostatic Discharge Caution	178
5.8	Analog Peripherals	78	8.8	Glossary	178
5.9	Control Peripherals	99	9	Mechanical Packaging and Orderable Information	179
5.10	Communications Peripherals	116	9.1	Packaging Information	179
6	Detailed Description	153			
6.1	Overview	153			

2 Revision History

NOTE: Page numbers for previous revisions may differ from page numbers in the current version.

Changes from October 22, 2015 to May 6, 2016 (from B Revision (October 2015) to C Revision)	Page
• Global: Restructured document.	1
• Section 1.1 (Features): Replaced "1.2-V Core, 3.3-V I/O Design" with "3.3-V I/O With Available Internal Voltage Regulator for 1.2-V Core Supply."	1
• Section 3.1 (Related Products): Added section.	8
• Table 4-1 (Signal Descriptions): Updated DESCRIPTION of V_{REFHIA} , V_{REFHIB} , V_{REFHID} , and V_{DDA}	11
• Figure 5-7 (Clocking System): Changed figure title from "Device Clocking" to "Clocking System."	46
• Table 5-19 (Flash Wait States): Changed title from "Minimum Required Flash Wait States at Different Frequencies" to "Flash Wait States." Updated table.	52
• Section 5.7.5.1 (JTAG Electrical Data and Timing): Added section.	56
• Table 5-39 (EMIF Asynchronous Memory Timing Requirements): Parameter 14 [$t_{su(EMOEL-EMWAIT)}$]: Changed MIN value from 4E to 4E+20.	71
• Table 5-39: Parameter 28 [$t_{su(EMWEL-EMWAIT)}$]: Changed MIN value from 4E to 4E+20.	71
• Table 5-40 (EMIF Asynchronous Memory Switching Characteristics): Parameter 11 [$t_{d(EMWAITH-EMOEH)}$]: Changed MIN value from 3E+8 to 4E+10. Changed MAX value from 4E+10 to 5E+15.	71
• Table 5-40: Parameter 25 [$t_{d(EMWAITH-EMWEH)}$]: Changed MIN value from 3E+8 to 4E+10. Changed MAX value from 4E+10 to 5E+15.	71
• Section 5.9.4 (High-Resolution Pulse Width Modulator (HRPWM)): Removed NOTE about dual-edge high-resolution being enabled.	111
• Figure 5-64 (SPI CPU Interface): Changed figure title from "SPI" to "SPI CPU Interface."	133
• Table 5-76 (SPI Master Mode External Timings Where (SPIBRR + 1) is Odd and SPIBRR > 3): Parameter 2 [$t_{w(SPCH)M}$, clock polarity = 0]: Updated MIN value and MAX value.	136
• Table 5-76: Parameter 3 [$t_{w(SPCL)M}$, clock polarity = 0]: Updated MIN value and MAX value.	136
• Table 5-78 (SPI Master Mode External Timings Where (SPIBRR + 1) is Odd or SPIBRR > 3): Parameter 2 [$t_{w(SPCL)M}$, clock polarity = 1]: Updated MIN value and MAX value.	139
• Table 5-78: Parameter 3 [$t_{w(SPCH)M}$, clock polarity = 1]: Updated MIN value and MAX value.	139
• Table 5-82 (High-Speed SPI Master Mode External Timings Where (SPIBRR + 1) is Odd and SPIBRR > 3): Parameter 2 [$t_{w(SPCH)M}$, clock polarity = 0]: Updated MIN value and MAX value.	144
• Table 5-82: Parameter 3 [$t_{w(SPCL)M}$, clock polarity = 0]: Updated MIN value and MAX value.	144
• Table 5-84 (High-Speed SPI Master Mode External Timings Where (SPIBRR + 1) is Odd or SPIBRR > 3): Parameter 2 [$t_{w(SPCL)M}$, clock polarity = 1]: Updated MIN value and MAX value.	147
• Table 5-84: Parameter 3 [$t_{w(SPCH)M}$, clock polarity = 1]: Updated MIN value and MAX value.	147
• Table 6-4 (Peripheral Registers Memory Map): Added PROTECTED column and associated footnote.	157
• Table 6-7 (Device Identification Registers): Added UID_UNIQUE.	162
• Section 7.1 (TI Design or Reference Design): Added section.	173
• Section 8 (Device and Documentation Support): Updated and restructured section.	174
• Section 8.2 (Tools and Software): Added section.	175
• Section 8.3 (Documentation Support): Updated section.	177
• Section 9.1 (Packaging Information): Updated section.	179

3 Device Comparison

Table 3-1 lists the features of the 28075 device.

Table 3-1. Device Comparison

FEATURE ⁽¹⁾		28075	
Package Type (PTP is an HLQFP package. PZP is an HTQFP package.)		176-Pin PTP	100-Pin PZP
Processor and Accelerators			
C28x	Number	1	
	Frequency (MHz)	120	
	Floating-Point Unit (FPU)	Yes	
	TMU – Type 0	Yes	
CLA – Type 1	Number	1	
	Frequency (MHz)	120	
6-Channel Direct Memory Access (DMA) – Type 0		1	
Memory			
Flash (16-bit words)		512KB (256KW)	
RAM (16-bit words)	Dedicated and Local Shared RAM	36KB (18KW)	
	Global Shared RAM	64KB (32KW)	
	Total RAM	100KB (50KW)	
Code security for on-chip flash, RAM, and OTP blocks		Yes	
Boot ROM		Yes	
System			
32-bit CPU timers		3	
Watchdog timers		1	
Nonmaskable Interrupt Watchdog (NMIWD) timers		1	
Crystal oscillator/External clock input		1	
0-pin internal oscillator		2	
I/O pins	GPIO	97	41
External interrupts		5	
EMIF	EMIF1 (16-bit or 32-bit)	1	–
Analog Peripherals			
ADC 12-bit mode	MSPS	3.1	
	Conversion Time (ns) ⁽²⁾	325	
	Input pins	17	14
Number of 12-bit ADCs		3	2
Temperature sensor		1	
CMPSS (each CMPSS has two comparators and two internal DACs)		8	4
Buffered DAC		3	
Control Peripherals⁽³⁾			
eCAP inputs – Type 0		6	
ePWM channels – Type 4		24	15
eQEP modules – Type 0		3	2
High-resolution ePWM channels – Type 4		16	9
Sigma-Delta Filter Module (SDFM) channels		8	6

Table 3-1. Device Comparison (continued)

FEATURE ⁽¹⁾		28075	
Package Type (PTP is an HLQFP package. PZP is an HTQFP package.)		176-Pin PTP	100-Pin PZP
Communication Peripherals⁽³⁾			
Controller Area Network (CAN) – Type 0 ⁽⁴⁾		2	
Inter-Integrated Circuit (I ² C) – Type 0		2	
Multichannel Buffered Serial Port (McBSP) – Type 1		2	
SCI – Type 0		4	3
Serial Peripheral Interface (SPI) – Type 2		3	
Universal Serial Bus (USB) – Type 0		1	
Temperature and Qualification			
Junction Temperature (T _J)	T: –40°C to 105°C	Yes	
	S: –40°C to 125°C	Yes	
	Q: –40°C to 150°C ⁽⁵⁾	Yes	
Free-Air Temperature (T _A)	Q: –40°C to 125°C ⁽⁵⁾	Yes	

- (1) A type change represents a major functional feature difference in a peripheral module. Within a peripheral type, there may be minor differences between devices that do not affect the basic functionality of the module. For more information, see the [C2000 Real-Time Control Peripherals Reference Guide](#).
- (2) Time between start of sample-and-hold window to start of sample-and-hold window of the next conversion.
- (3) For devices that are available in more than one package, the peripheral count listed in the smaller package is reduced because the smaller package has less device pins available. The number of peripherals internally present on the device is not reduced compared to the largest package offered within a part number. See [Section 4](#) to identify which peripheral instances are accessible on pins in the smaller package.
- (4) The CAN module uses the IP known as *D_CAN*. This document uses the names *CAN* and *D_CAN* interchangeably to reference this peripheral.
- (5) The letter Q refers to Q100 qualification for automotive applications.

3.1 Related Products

For information about other devices in this family of products, see the following links:

[TMS320F2837xD Dual-Core Delfino™ Microcontrollers](#)

The Delfino™ TMS320F2837xD is a powerful 32-bit floating-point microcontroller unit (MCU) designed for advanced closed-loop control applications such as industrial drives and servo motor control; solar inverters and converters; digital power; transportation; and power line communications. Complete development packages for digital power and industrial drives are available as part of the powerSUITE and DesignDRIVE initiatives. While the Delfino product line is not new to the TMS320C2000™ portfolio, the F2837xD supports a new dual-core C28x architecture that significantly boosts system performance. The integrated analog and control peripherals also let designers consolidate control architectures and eliminate multiprocessor use in high-end systems.

[TMS320F2837xS Delfino™ Microcontrollers](#)

The Delfino™ TMS320F2837xS is a powerful 32-bit floating-point microcontroller unit (MCU) designed for advanced closed-loop control applications such as industrial drives and servo motor control; solar inverters and converters; digital power; transportation; and power line communications. Complete development packages for digital power and industrial drives are available as part of the powerSUITE and DesignDRIVE initiatives.

[TMS320F2806x Piccolo™ Microcontrollers](#)

The F2806x Piccolo™ family of microcontrollers (MCUs) provides the power of the C28x core and CLA coupled with highly integrated control peripherals in low pin-count devices. This family is code-compatible with previous C28x-based code, and also provides a high level of analog integration.

[TMS320F2833x Digital Signal Controllers \(DSCs\)](#)

The TMS320F28335, TMS320F28334, and TMS320F28332 devices, members of the TMS320C28x/Delfino™ DSC/MCU generation, are highly integrated, high-performance solutions for demanding control applications.

[TMS320F2823x Digital Signal Controllers \(DSCs\)](#)

The TMS320F28235, TMS320F28234, and TMS320F28232 devices, members of the TMS320C28x/Delfino™ DSC/MCU generation, are highly integrated, high-performance solutions for demanding control applications.

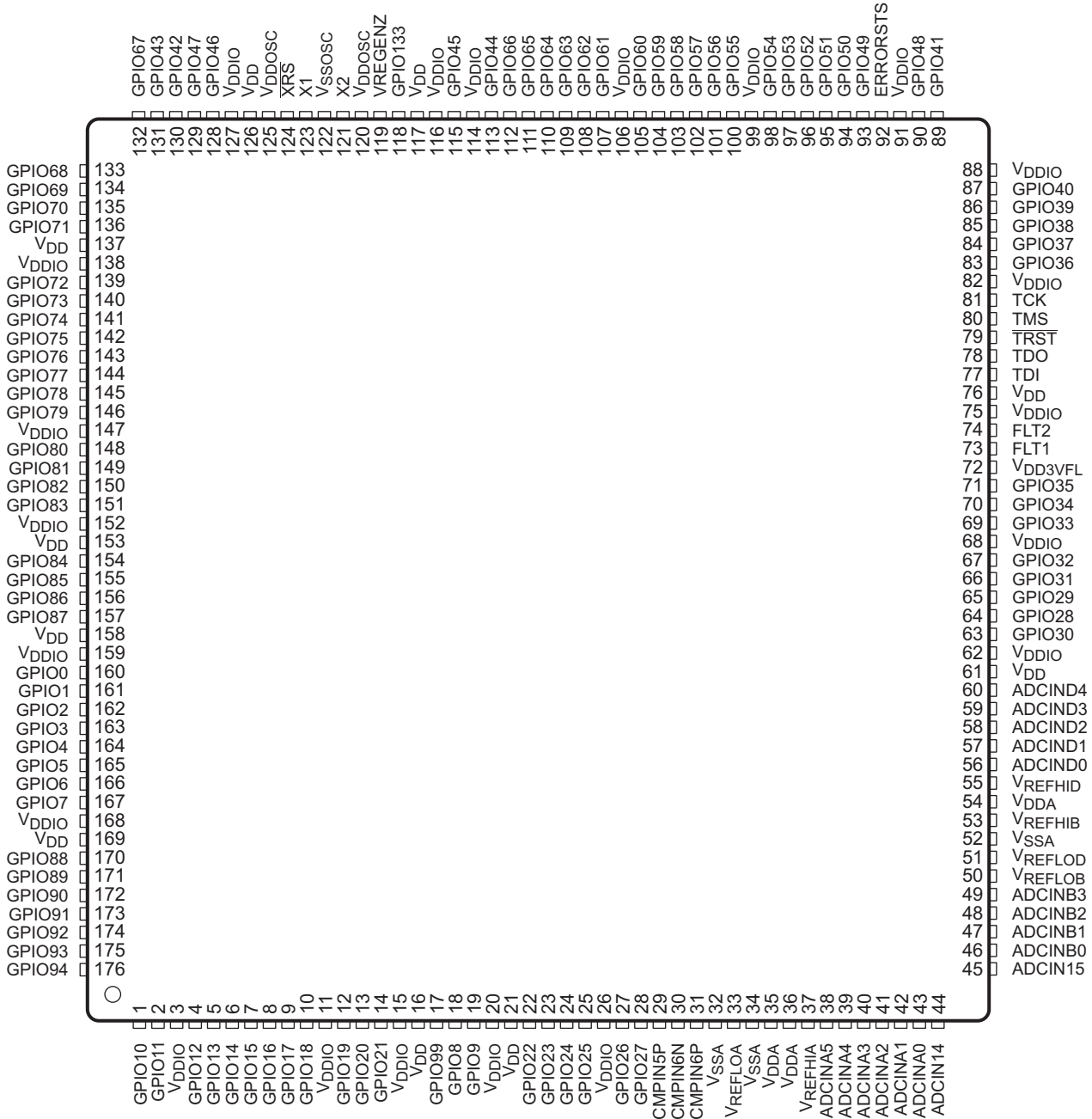
[TMS320C2834x Delfino Microcontrollers](#)

The TMS320C2834x (C2834x) Delfino™ microcontroller unit (MCU) devices build on TI's existing F2833x high-performance floating-point microcontrollers. The C2834x delivers up to 300 MHz of floating-point performance, and has up to 516KB of on-chip RAM. Designed for real-time control applications, the C2834x is based on the C28x core, making it code-compatible with all C28x microcontrollers. The on-chip peripherals and low-latency core make the C2834x an excellent solution for performance-hungry real-time control applications.

4 Terminal Configuration and Functions

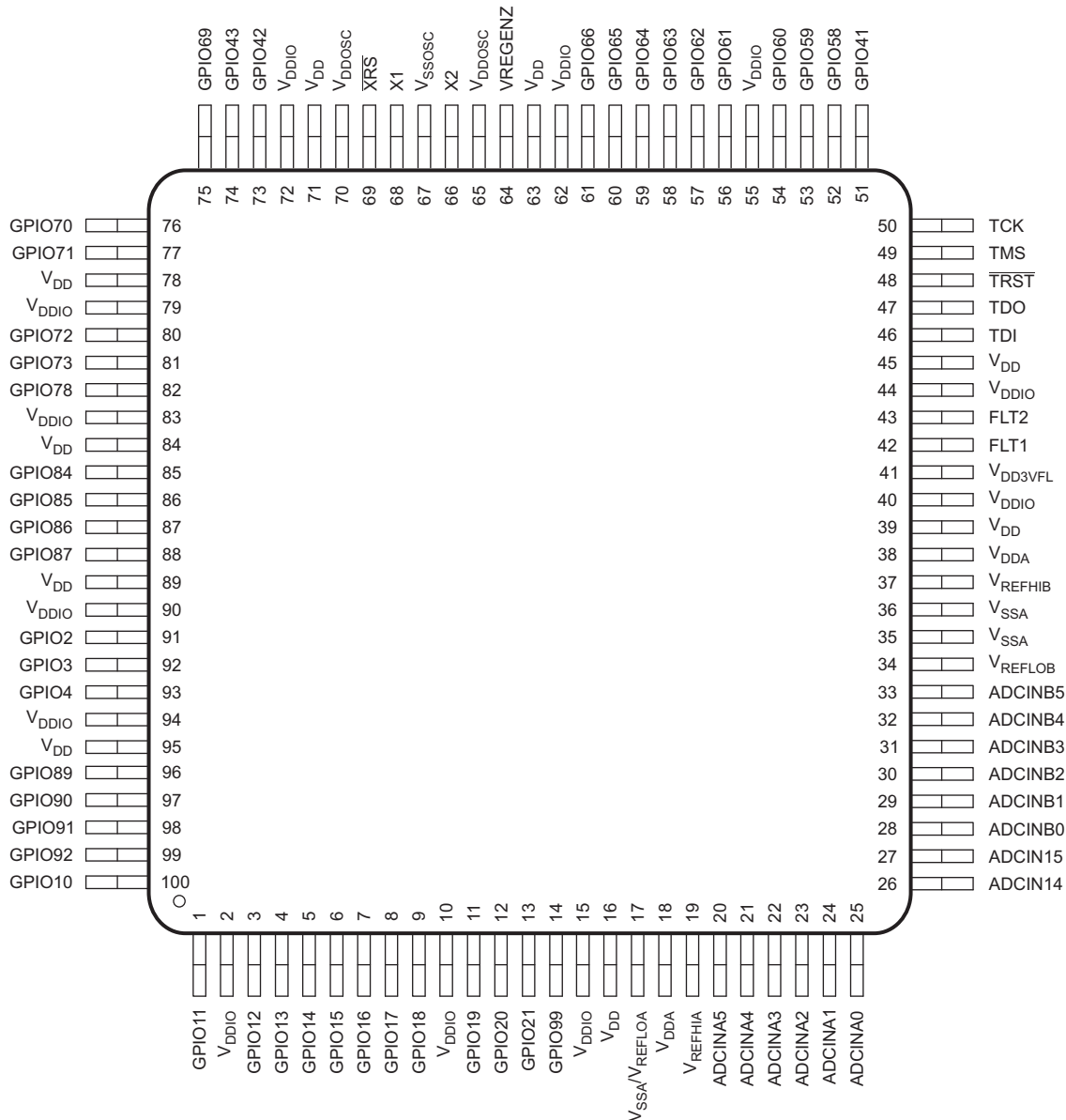
4.1 Pin Diagrams

Figure 4-1 shows the pin assignments on the 176-pin PTP PowerPAD Thermally Enhanced Low-Profile Quad Flatpack. Figure 4-2 shows the pin assignments on the 100-pin PZP PowerPAD Thermally Enhanced Thin Quad Flatpack.



A. Only the GPIO function is shown on GPIO pins. See Table 4-1 for the complete, muxed signal name.

Figure 4-1. 176-Pin PTP PowerPAD Thermally Enhanced Low-Profile Quad Flatpack (Top View)



A. Only the GPIO function is shown on GPIO pins. See Table 4-1 for the complete, muxed signal name.

Figure 4-2. 100-Pin PZP PowerPAD HTQFP (Top View)

NOTE

PCB footprints and schematic symbols are available for download in a vendor-neutral format, which can be exported to the leading EDA CAD/CAE design tools. See the CAD/CAE Symbols section in the product folder for each device, under the Packaging section. These footprints and symbols can also be searched for at <http://webench.ti.com/cad/>.

4.2 Signal Descriptions

Table 4-1 describes the signals. The GPIO function is the default at reset, unless otherwise mentioned. The peripheral signals that are listed under them are alternate functions. Some peripheral functions may not be available in all devices. See Table 3-1 for details. All GPIO pins are I/O/Z and have an internal pullup, which can be selectively enabled or disabled on a per-pin basis. This feature only applies to the GPIO pins. The pullups are not enabled at reset.

Table 4-1. Signal Descriptions

TERMINAL				I/O/Z ⁽¹⁾	DESCRIPTION
NAME	MUX POSITION	PTP PIN NO.	PZP PIN NO.		
ADC, DAC, AND COMPARATOR SIGNALS					
V _{REFHIA}		37	19	I	ADC-A high reference. Place at least a 1-μF capacitor on this pin. This capacitor should be placed as close to the device as possible between the V _{REFHIA} and V _{REFLOA} pins. NOTE: Do not load this pin externally.
V _{REFHIB}		53	37	I	ADC-B high reference. Place at least a 1-μF capacitor on this pin. This capacitor should be placed as close to the device as possible between the V _{REFHIB} and V _{REFLOB} pins. NOTE: Do not load this pin externally.
V _{REFHID}		55	–	I	ADC-D high reference. Place at least a 1-μF capacitor on this pin. This capacitor should be placed as close to the device as possible between the V _{REFHID} and V _{REFLOD} pins. NOTE: Do not load this pin externally.
V _{REFLOA}		33	17	I	ADC-A low reference. On the PZP package, pin 17 is double-bonded to V _{SSA} and V _{REFLOA} . On the PZP package, pin 17 must be connected to V _{SSA} on the system board.
V _{REFLOB}		50	34	I	ADC-B low reference
V _{REFLOD}		51	–	I	ADC-D low reference
ADCIN14		44	26	I	Input 14 to all ADCs. This pin can be used as a general-purpose ADCIN pin or it can be used to calibrate all ADCs together from an external reference.
CMPIN4P				I	Comparator 4 positive input
ADCIN15		45	27	I	Input 15 to all ADCs. This pin can be used as a general-purpose ADCIN pin or it can be used to calibrate all ADCs together from an external reference.
CMPIN4N				I	Comparator 4 negative input
ADCINA0		43	25	I	ADC-A input 0. There is a 50-kΩ internal pulldown on this pin in both an ADC input or DAC output mode which cannot be disabled.
DACOUTA				O	DAC-A output
ADCINA1		42	24	I	ADC-A input 1. There is a 50-kΩ internal pulldown on this pin in both an ADC input or DAC output mode which cannot be disabled.
DACOUTB				O	DAC-B output
ADCINA2		41	23	I	ADC-A input 2
CMPIN1P				I	Comparator 1 positive input
ADCINA3		40	22	I	ADC-A input 3
CMPIN1N				I	Comparator 1 negative input
ADCINA4		39	21	I	ADC-A input 4
CMPIN2P				I	Comparator 2 positive input
ADCINA5		38	20	I	ADC-A input 5
CMPIN2N				I	Comparator 2 negative input

Table 4-1. Signal Descriptions (continued)

TERMINAL				I/O/Z ⁽¹⁾	DESCRIPTION
NAME	MUX POSITION	PTP PIN NO.	PZP PIN NO.		
ADCINB0				I	ADC-B input 0. There is a 100-pF capacitor to V _{SSA} on this pin in both ADC input or DAC reference mode which cannot be disabled. If this pin is being used as a reference for the on-chip DACs, place at least a 1-μF capacitor on this pin.
VDAC		46	28	I	Optional external reference voltage for on-chip DACs. There is a 100-pF capacitor to V _{SSA} on this pin in both ADC input or DAC reference mode which cannot be disabled. If this pin is being used as a reference for the on-chip DACs, place at least a 1-μF capacitor on this pin.
ADCINB1		47	29	I	ADC-B input 1. There is a 50-kΩ internal pulldown on this pin in both an ADC input or DAC output mode which cannot be disabled.
DACOUTC				O	DAC-C output
ADCINB2		48	30	I	ADC-B input 2
CMPIN3P				I	Comparator 3 positive input
ADCINB3		49	31	I	ADC-B input 3
CMPIN3N				I	Comparator 3 negative input
ADCINB4		–	32	I	ADC-B input 4
ADCINB5		–	33	I	ADC-B input 5
CMPIN6P		31	–	I	Comparator 6 positive input
CMPIN6N		30	–	I	Comparator 6 negative input
CMPIN5P		29	–	I	Comparator 5 positive input
ADCIND0		56	–	I	ADC-D input 0
CMPIN7P				I	Comparator 7 positive input
ADCIND1		57	–	I	ADC-D input 1
CMPIN7N				I	Comparator 7 negative input
ADCIND2		58	–	I	ADC-D input 2
CMPIN8P				I	Comparator 8 positive input
ADCIND3		59	–	I	ADC-D input 3
CMPIN8N				I	Comparator 8 negative input
ADCIND4		60	–	I	ADC-D input 4
GPIO AND PERIPHERAL SIGNALS					
GPIO0	0, 4, 8, 12			I/O	General-purpose input/output 0
EPWM1A	1	160	–	O	Enhanced PWM1 output A (HRPWM-capable)
SDAA	6			I/OD	I2C-A data open-drain bidirectional port
GPIO1	0, 4, 8, 12			I/O	General-purpose input/output 1
EPWM1B	1	161	–	O	Enhanced PWM1 output B (HRPWM-capable)
MFSRB	3			I/O	McBSP-B receive frame synch
SCLA	6			I/OD	I2C-A clock open-drain bidirectional port
GPIO2	0, 4, 8, 12			I/O	General-purpose input/output 2
EPWM2A	1	162	91	O	Enhanced PWM2 output A (HRPWM-capable)
OUTPUTXBAR1	5			O	Output 1 of the output XBAR
SDAB	6			I/OD	I2C-B data open-drain bidirectional port

Table 4-1. Signal Descriptions (continued)

TERMINAL				I/O/Z ⁽¹⁾	DESCRIPTION
NAME	MUX POSITION	PTP PIN NO.	PZP PIN NO.		
GPIO3	0, 4, 8, 12	163	92	I/O	General-purpose input/output 3
EPWM2B	1			O	Enhanced PWM2 output B (HRPWM-capable)
OUTPUTXBAR2	2			O	Output 2 of the output XBAR
MCLKRB	3			I/O	McBSP-B receive clock
OUTPUTXBAR2	5			O	Output 2 of the output XBAR
SCLB	6			I/OD	I2C-B clock open-drain bidirectional port
GPIO4	0, 4, 8, 12	164	93	I/O	General-purpose input/output 4
EPWM3A	1			O	Enhanced PWM3 output A (HRPWM-capable)
OUTPUTXBAR3	5			O	Output 3 of the output XBAR
CANTXA	6			O	CAN-A transmit
GPIO5	0, 4, 8, 12	165	–	I/O	General-purpose input/output 5
EPWM3B	1			O	Enhanced PWM3 output B (HRPWM-capable)
MFSRA	2			I/O	McBSP-A receive frame synch
OUTPUTXBAR3	3			O	Output 3 of the output XBAR
CANRXA	6			I	CAN-A receive
GPIO6	0, 4, 8, 12	166	–	I/O	General-purpose input/output 6
EPWM4A	1			O	Enhanced PWM4 output A (HRPWM-capable)
OUTPUTXBAR4	2			O	Output 4 of the output XBAR
EXTSYNCOUT	3			O	External ePWM synch pulse output
EQEP3A	5			I	Enhanced QEP3 input A
CANTXB	6			O	CAN-B transmit
GPIO7	0, 4, 8, 12	167	–	I/O	General-purpose input/output 7
EPWM4B	1			O	Enhanced PWM4 output B (HRPWM-capable)
MCLKRA	2			I/O	McBSP-A receive clock
OUTPUTXBAR5	3			O	Output 5 of the output XBAR
EQEP3B	5			I	Enhanced QEP3 input B
CANRXB	6			I	CAN-B receive
GPIO8	0, 4, 8, 12	18	–	I/O	General-purpose input/output 8
EPWM5A	1			O	Enhanced PWM5 output A (HRPWM-capable)
CANTXB	2			O	CAN-B transmit
ADCSOCAO	3			O	ADC start-of-conversion A output for external ADC
EQEP3S	5			I/O	Enhanced QEP3 strobe
SCITXDA	6			O	SCI-A transmit data
GPIO9	0, 4, 8, 12	19	–	I/O	General-purpose input/output 9
EPWM5B	1			O	Enhanced PWM5 output B (HRPWM-capable)
SCITXDB	2			O	SCI-B transmit data
OUTPUTXBAR6	3			O	Output 6 of the output XBAR
EQEP3I	5			I/O	Enhanced QEP3 index
SCIRXDA	6			I	SCI-A receive data
GPIO10	0, 4, 8, 12	1	100	I/O	General-purpose input/output 10
EPWM6A	1			O	Enhanced PWM6 output A (HRPWM-capable)
CANRXB	2			I	CAN-B receive
ADCSOCBO	3			O	ADC start-of-conversion B output for external ADC
EQEP1A	5			I	Enhanced QEP1 input A
SCITXDB	6			O	SCI-B transmit data

Table 4-1. Signal Descriptions (continued)

TERMINAL				I/O/Z ⁽¹⁾	DESCRIPTION
NAME	MUX POSITION	PTP PIN NO.	PZP PIN NO.		
GPIO11	0, 4, 8, 12			I/O	General-purpose input/output 11
EPWM6B	1			O	Enhanced PWM6 output B (HRPWM-capable)
SCIRXDB	2, 6	2	1	I	SCI-B receive data
OUTPUTXBAR7	3			O	Output 7 of the output XBAR
EQEP1B	5			I	Enhanced QEP1 input B
GPIO12	0, 4, 8, 12			I/O	General-purpose input/output 12
EPWM7A	1			O	Enhanced PWM7 output A (HRPWM-capable)
CANTXB	2	4	3	O	CAN-B transmit
MDXB	3			O	McBSP-B transmit serial data
EQEP1S	5			I/O	Enhanced QEP1 strobe
SCITXDC	6			O	SCI-C transmit data
GPIO13	0, 4, 8, 12			I/O	General-purpose input/output 13
EPWM7B	1			O	Enhanced PWM7 output B (HRPWM-capable)
CANRXB	2	5	4	I	CAN-B receive
MDRB	3			I	McBSP-B receive serial data
EQEP1I	5			I/O	Enhanced QEP1 index
SCIRXDC	6			I	SCI-C receive data
GPIO14	0, 4, 8, 12			I/O	General-purpose input/output 14
EPWM8A	1			O	Enhanced PWM8 output A (HRPWM-capable)
SCITXDB	2	6	5	O	SCI-B transmit data
MCLKXB	3			I/O	McBSP-B transmit clock
OUTPUTXBAR3	6			O	Output 3 of the output XBAR
GPIO15	0, 4, 8, 12			I/O	General-purpose input/output 15
EPWM8B	1			O	Enhanced PWM8 output B (HRPWM-capable)
SCIRXDB	2	7	6	I	SCI-B receive data
MFSXB	3			I/O	McBSP-B transmit frame synch
OUTPUTXBAR4	6			O	Output 4 of the output XBAR
GPIO16	0, 4, 8, 12			I/O	General-purpose input/output 16
SPISIMOA	1			I/O	SPI-A slave in, master out
CANTXB	2	8	7	O	CAN-B transmit
OUTPUTXBAR7	3			O	Output 7 of the output XBAR
EPWM9A	5			O	Enhanced PWM9 output A
SD1_D1	7			I	Sigma-Delta 1 channel 1 data input
GPIO17	0, 4, 8, 12			I/O	General-purpose input/output 17
SPISOMIA	1			I/O	SPI-A slave out, master in
CANRXB	2	9	8	I	CAN-B receive
OUTPUTXBAR8	3			O	Output 8 of the output XBAR
EPWM9B	5			O	Enhanced PWM9 output B
SD1_C1	7			I	Sigma-Delta 1 channel 1 clock input
GPIO18	0, 4, 8, 12			I/O	General-purpose input/output 18
SPICLKA	1			I/O	SPI-A clock
SCITXDB	2	10	9	O	SCI-B transmit data
CANRXA	3			I	CAN-A receive
EPWM10A	5			O	Enhanced PWM10 output A
SD1_D2	7			I	Sigma-Delta 1 channel 2 data input

Table 4-1. Signal Descriptions (continued)

TERMINAL				I/O/Z ⁽¹⁾	DESCRIPTION
NAME	MUX POSITION	PTP PIN NO.	PZP PIN NO.		
GPIO19	0, 4, 8, 12	12	11	I/O	General-purpose input/output 19
<u>SPISTE</u> A	1			I/O	SPI-A slave transmit enable
SCIRXDB	2			I	SCI-B receive data
CANTXA	3			O	CAN-A transmit
EPWM10B	5			O	Enhanced PWM10 output B
SD1_C2	7			I	Sigma-Delta 1 channel 2 clock input
GPIO20	0, 4, 8, 12	13	12	I/O	General-purpose input/output 20
EQEP1A	1			I	Enhanced QEP1 input A
MDXA	2			O	McBSP-A transmit serial data
CANTXB	3			O	CAN-B transmit
EPWM11A	5			O	Enhanced PWM11 output A
SD1_D3	7			I	Sigma-Delta 1 channel 3 data input
GPIO21	0, 4, 8, 12	14	13	I/O	General-purpose input/output 21
EQEP1B	1			I	Enhanced QEP1 input B
MDRA	2			I	McBSP-A receive serial data
CANRXB	3			I	CAN-B receive
EPWM11B	5			O	Enhanced PWM11 output B
SD1_C3	7			I	Sigma-Delta 1 channel 3 clock input
GPIO22	0, 2, 4, 8	22	–	I/O	General-purpose input/output 22
EQEP1S	1			I/O	Enhanced QEP1 strobe
MCLKXA	2			I/O	McBSP-A transmit clock
SCITXDB	3			O	SCI-B transmit data
EPWM12A	5			O	Enhanced PWM12 output A
SPICLKB	6			I/O	SPI-B clock
SD1_D4	7			I	Sigma-Delta 1 channel 4 data input
GPIO23	0, 2, 4, 8	23	–	I/O	General-purpose input/output 23
EQEP1I	1			I/O	Enhanced QEP1 index
MFSXA	2			I/O	McBSP-A transmit frame synch
SCIRXDB	3			I	SCI-B receive data
EPWM12B	5			O	Enhanced PWM12 output B
<u>SPISTE</u> B	6			I/O	SPI-B slave transmit enable
SD1_C4	7			I	Sigma-Delta 1 channel 4 clock input
GPIO24	0, 4, 8, 12	24	–	I/O	General-purpose input/output 24
OUTPUTXBAR1	1			O	Output 1 of the output XBAR
EQEP2A	2			I	Enhanced QEP2 input A
MDXB	3			O	McBSP-B transmit serial data
SPISIMOB	6			I/O	SPI-B slave in, master out
SD2_D1	7			I	Sigma-Delta 2 channel 1 data input
GPIO25	0, 4, 8, 12	25	–	I/O	General-purpose input/output 25
OUTPUTXBAR2	1			O	Output 2 of the output XBAR
EQEP2B	2			I	Enhanced QEP2 input B
MDRB	3			I	McBSP-B receive serial data
SPISOMIB	6			I/O	SPI-B slave out, master in
SD2_C1	7			I	Sigma-Delta 2 channel 1 clock input

Table 4-1. Signal Descriptions (continued)

TERMINAL				I/O/Z ⁽¹⁾	DESCRIPTION
NAME	MUX POSITION	PTP PIN NO.	PZP PIN NO.		
GPIO26	0, 4, 8, 12	27	–	I/O	General-purpose input/output 26
OUTPUTXBAR3	1			O	Output 3 of the output XBAR
EQEP2I	2			I/O	Enhanced QEP2 index
MCLKXB	3			I/O	McBSP-B transmit clock
OUTPUTXBAR3	5			O	Output 3 of the output XBAR
SPICKLB	6			I/O	SPI-B clock
SD2_D2	7			I	Sigma-Delta 2 channel 2 data input
GPIO27	0, 4, 8, 12	28	–	I/O	General-purpose input/output 27
OUTPUTXBAR4	1			O	Output 4 of the output XBAR
EQEP2S	2			I/O	Enhanced QEP2 strobe
MFSXB	3			I/O	McBSP-B transmit frame synch
OUTPUTXBAR4	5			O	Output 4 of the output XBAR
SPISTEB	6			I/O	SPI-B slave transmit enable
SD2_C2	7			I	Sigma-Delta 2 channel 2 clock input
GPIO28	0, 4, 8, 12	64	–	I/O	General-purpose input/output 28
SCIRXDA	1			I	SCI-A receive data
EM1CS4	2			O	External memory interface 1 chip select 4
OUTPUTXBAR5	5			O	Output 5 of the output XBAR
EQEP3A	6			I	Enhanced QEP3 input A
SD2_D3	7			I	Sigma-Delta 2 channel 3 data input
GPIO29	0, 4, 8, 12			65	–
SCITXDA	1	O	SCI-A transmit data		
EM1SDCKE	2	O	External memory interface 1 SDRAM clock enable		
OUTPUTXBAR6	5	O	Output 6 of the output XBAR		
EQEP3B	6	I	Enhanced QEP3 input B		
SD2_C3	7	I	Sigma-Delta 2 channel 3 clock input		
GPIO30	0, 4, 8, 12	63	–		
CANRXA	1			I	CAN-A receive
EM1CLK	2			O	External memory interface 1 clock
OUTPUTXBAR7	5			O	Output 7 of the output XBAR
EQEP3S	6			I/O	Enhanced QEP3 strobe
SD2_D4	7			I	Sigma-Delta 2 channel 4 data input
GPIO31	0, 4, 8, 12			66	–
CANTXA	1	O	CAN-A transmit		
EM1WE	2	O	External memory interface 1 write enable		
OUTPUTXBAR8	5	O	Output 8 of the output XBAR		
EQEP3I	6	I/O	Enhanced QEP3 index		
SD2_C4	7	I	Sigma-Delta 2 channel 4 clock input		
GPIO32	0, 4, 8, 12	67	–		
SDAA	1			I/OD	I2C-A data open-drain bidirectional port
EM1CS0	2	O	External memory interface 1 chip select 0		
GPIO33	0, 4, 8, 12	69	–	I/O	General-purpose input/output 33
SCLA	1			I/OD	I2C-A clock open-drain bidirectional port
EM1RNW	2			O	External memory interface 1 read not write

Table 4-1. Signal Descriptions (continued)

TERMINAL				I/O/Z ⁽¹⁾	DESCRIPTION
NAME	MUX POSITION	PTP PIN NO.	PZP PIN NO.		
GPIO34	0, 4, 8, 12	70	–	I/O	General-purpose input/output 34
OUTPUTXBAR1	1			O	Output 1 of the output XBAR
EM1CS2	2			O	External memory interface 1 chip select 2
SDAB	6			I/OD	I2C-B data open-drain bidirectional port
GPIO35	0, 4, 8, 12	71	–	I/O	General-purpose input/output 35
SCIRXDA	1			I	SCI-A receive data
EM1CS3	2			O	External memory interface 1 chip select 3
SCLB	6			I/OD	I2C-B clock open-drain bidirectional port
GPIO36	0, 4, 8, 12	83	–	I/O	General-purpose input/output 36
SCITXDA	1			O	SCI-A transmit data
EM1WAIT	2			I	External memory interface 1 Asynchronous SRAM WAIT
CANRXA	6			I	CAN-A receive
GPIO37	0, 4, 8, 12	84	–	I/O	General-purpose input/output 37
OUTPUTXBAR2	1			O	Output 2 of the output XBAR
EM1OE	2			O	External memory interface 1 output enable
CANTXA	6			O	CAN-A transmit
GPIO38	0, 4, 8, 12	85	–	I/O	General-purpose input/output 38
EM1A0	2			O	External memory interface 1 address line 0
SCITXDC	5			O	SCI-C transmit data
CANTXB	6			O	CAN-B transmit
GPIO39	0, 4, 8, 12	86	–	I/O	General-purpose input/output 39
EM1A1	2			O	External memory interface 1 address line 1
SCIRXDC	5			I	SCI-C receive data
CANRXB	6			I	CAN-B receive
GPIO40	0, 4, 8, 12	87	–	I/O	General-purpose input/output 40
EM1A2	2			O	External memory interface 1 address line 2
SDAB	6			I/OD	I2C-B data open-drain bidirectional port
GPIO41	0, 4, 8, 12	89	51	I/O	General-purpose input/output 41. For applications using the Hibernate low-power mode, this pin serves as the GPIOHIBWAKE signal. For details, see the Low Power Modes section of the System Control chapter in the TMS320F2807x Piccolo Microcontrollers Technical Reference Manual .
EM1A3	2			O	External memory interface 1 address line 3
SCLB	6			I/OD	I2C-B clock open-drain bidirectional port
GPIO42	0, 4, 8, 12			130	73
SDAA	6	I/OD	I2C-A data open-drain bidirectional port		
SCITXDA	15	O	SCI-A transmit data		
USB0DM	Analog	I/O	USB PHY differential data		
GPIO43	0, 4, 8, 12	131	74	I/O	General-purpose input/output 43
SCLA	6			I/OD	I2C-A clock open-drain bidirectional port
SCIRXDA	15			I	SCI-A receive data
USB0DP	Analog			I/O	USB PHY differential data
GPIO44	0, 4, 8, 12	113	–	I/O	General-purpose input/output 44
EM1A4	2			O	External memory interface 1 address line 4

Table 4-1. Signal Descriptions (continued)

TERMINAL				I/O/Z ⁽¹⁾	DESCRIPTION
NAME	MUX POSITION	PTP PIN NO.	PZP PIN NO.		
GPIO45 EM1A5	0, 4, 8, 12 2	115	–	I/O O	General-purpose input/output 45 External memory interface 1 address line 5
GPIO46 EM1A6 SCIRXDD	0, 4, 8, 12 2 6	128	–	I/O O I	General-purpose input/output 46 External memory interface 1 address line 6 SCI-D receive data
GPIO47 EM1A7 SCITXDD	0, 4, 8, 12 2 6	129	–	I/O O O	General-purpose input/output 47 External memory interface 1 address line 7 SCI-D transmit data
GPIO48 OUTPUTXBAR3 EM1A8 SCITXDA SD1_D1	0, 4, 8, 12 1 2 6 7	90	–	I/O O O O I	General-purpose input/output 48 Output 3 of the output XBAR External memory interface 1 address line 8 SCI-A transmit data Sigma-Delta 1 channel 1 data input
GPIO49 OUTPUTXBAR4 EM1A9 SCIRXDA SD1_C1	0, 4, 8, 12 1 2 6 7	93	–	I/O O O I I	General-purpose input/output 49 Output 4 of the output XBAR External memory interface 1 address line 9 SCI-A receive data Sigma-Delta 1 channel 1 clock input
GPIO50 EQEP1A EM1A10 SPISIMOC SD1_D2	0, 4, 8, 12 1 2 6 7	94	–	I/O I O I/O I	General-purpose input/output 50 Enhanced QEP1 input A External memory interface 1 address line 10 SPI-C slave in, master out Sigma-Delta 1 channel 2 data input
GPIO51 EQEP1B EM1A11 SPISOMIC SD1_C2	0, 4, 8, 12 1 2 6 7	95	–	I/O I O I/O I	General-purpose input/output 51 Enhanced QEP1 input B External memory interface 1 address line 11 SPI-C slave out, master in Sigma-Delta 1 channel 2 clock input
GPIO52 EQEP1S EM1A12 SPICLK SD1_D3	0, 4, 8, 12 1 2 6 7	96	–	I/O I/O O I/O I	General-purpose input/output 52 Enhanced QEP1 strobe External memory interface 1 address line 12 SPI-C clock Sigma-Delta 1 channel 3 data input
GPIO53 EQEP1I EM1D31 SPISTEC SD1_C3	0, 4, 8, 12 1 2 6 7	97	–	I/O I/O I/O I/O I	General-purpose input/output 53 Enhanced QEP1 index External memory interface 1 data line 31 SPI-C slave transmit enable Sigma-Delta 1 channel 3 clock input
GPIO54 SPISIMOA EM1D30 EQEP2A SCITXDB SD1_D4	0, 4, 8, 12 1 2 5 6 7	98	–	I/O I/O I/O I O I	General-purpose input/output 54 SPI-A slave in, master out External memory interface 1 data line 30 Enhanced QEP2 input A SCI-B transmit data Sigma-Delta 1 channel 4 data input

Table 4-1. Signal Descriptions (continued)

TERMINAL				I/O/Z ⁽¹⁾	DESCRIPTION
NAME	MUX POSITION	PTP PIN NO.	PZP PIN NO.		
GPIO55	0, 4, 8, 12	100	–	I/O	General-purpose input/output 55
SPISOMIA	1			I/O	SPI-A slave out, master in
EM1D29	2			I/O	External memory interface 1 data line 29
EQEP2B	5			I	Enhanced QEP2 input B
SCIRXDB	6			I	SCI-B receive data
SD1_C4	7			I	Sigma-Delta 1 channel 4 clock input
GPIO56	0, 4, 8, 12			101	–
SPICLKA	1	I/O	SPI-A clock		
EM1D28	2	I/O	External memory interface 1 data line 28		
EQEP2S	5	I/O	Enhanced QEP2 strobe		
SCITXDC	6	O	SCI-C transmit data		
SD2_D1	7	I	Sigma-Delta 2 channel 1 data input		
GPIO57	0, 4, 8, 12	102	–		
$\overline{\text{SPISTEA}}$	1			I/O	SPI-A slave transmit enable
EM1D27	2			I/O	External memory interface 1 data line 27
EQEP2I	5			I/O	Enhanced QEP2 index
SCIRXDC	6			I	SCI-C receive data
SD2_C1	7			I	Sigma-Delta 2 channel 1 clock input
GPIO58	0, 4, 8, 12			103	52
MCLKRA	1	I/O	McBSP-A receive clock		
EM1D26	2	I/O	External memory interface 1 data line 26		
OUTPUTXBAR1	5	O	Output 1 of the output XBAR		
SPICLKB	6	I/O	SPI-B clock		
SD2_D2	7	I	Sigma-Delta 2 channel 2 data input		
SPISIMOA	15	I/O	SPI-A slave in, master out ⁽²⁾		
GPIO59	0, 4, 8, 12	104	53	I/O	General-purpose input/output 59 ⁽³⁾
MFSRA	1			I/O	McBSP-A receive frame synch
EM1D25	2			I/O	External memory interface 1 data line 25
OUTPUTXBAR2	5			O	Output 2 of the output XBAR
$\overline{\text{SPISTEB}}$	6			I/O	SPI-B slave transmit enable
SD2_C2	7			I	Sigma-Delta 2 channel 2 clock input
SPISOMIA	15			I/O	SPI-A slave out, master in ⁽²⁾
GPIO60	0, 4, 8, 12	105	54	I/O	General-purpose input/output 60
MCLKRB	1			I/O	McBSP-B receive clock
EM1D24	2			I/O	External memory interface 1 data line 24
OUTPUTXBAR3	5			O	Output 3 of the output XBAR
SPISIMOB	6			I/O	SPI-B slave in, master out
SD2_D3	7			I	Sigma-Delta 2 channel 3 data input
SPICLKA	15			I/O	SPI-A clock ⁽²⁾

Table 4-1. Signal Descriptions (continued)

TERMINAL				I/O/Z ⁽¹⁾	DESCRIPTION
NAME	MUX POSITION	PTP PIN NO.	PZP PIN NO.		
GPIO61	0, 4, 8, 12			I/O	General-purpose input/output 61 ⁽³⁾
MFSRB	1			I/O	McBSP-B receive frame synch
EM1D23	2			I/O	External memory interface 1 data line 23
OUTPUTXBAR4	5	107	56	O	Output 4 of the output XBAR
SPISOMIB	6			I/O	SPI-B slave out, master in
SD2_C3	7			I	Sigma-Delta 2 channel 3 clock input
SPISTEA	15			I/O	SPI-A slave transmit enable ⁽²⁾
GPIO62	0, 4, 8, 12			I/O	General-purpose input/output 62
SCIRXDC	1			I	SCI-C receive data
EM1D22	2			I/O	External memory interface 1 data line 22
EQEP3A	5	108	57	I	Enhanced QEP3 input A
CANRXA	6			I	CAN-A receive
SD2_D4	7			I	Sigma-Delta 2 channel 4 data input
GPIO63	0, 4, 8, 12			I/O	General-purpose input/output 63
SCITXDC	1			O	SCI-C transmit data
EM1D21	2			I/O	External memory interface 1 data line 21
EQEP3B	5	109	58	I	Enhanced QEP3 input B
CANTXA	6			O	CAN-A transmit
SD2_C4	7			I	Sigma-Delta 2 channel 4 clock input
SPISIMOB	15			I/O	SPI-B slave in, master out ⁽²⁾
GPIO64	0, 4, 8, 12			I/O	General-purpose input/output 64 ⁽³⁾
EM1D20	2			I/O	External memory interface 1 data line 20
EQEP3S	5	110	59	I/O	Enhanced QEP3 strobe
SCIRXDA	6			I	SCI-A receive data
SPISOMIB	15			I/O	SPI-B slave out, master in ⁽²⁾
GPIO65	0, 4, 8, 12			I/O	General-purpose input/output 65
EM1D19	2			I/O	External memory interface 1 data line 19
EQEP3I	5	111	60	I/O	Enhanced QEP3 index
SCITXDA	6			O	SCI-A transmit data
SPICKLB	15			I/O	SPI-B clock ⁽²⁾
GPIO66	0, 4, 8, 12			I/O	General-purpose input/output 66 ⁽³⁾
EM1D18	2			I/O	External memory interface 1 data line 18
SDAB	6	112	61	I/OD	I2C-B data open-drain bidirectional port
SPISTEB	15			I/O	SPI-B slave transmit enable ⁽²⁾
GPIO67	0, 4, 8, 12	132	–	I/O	General-purpose input/output 67
EM1D17	2			I/O	External memory interface 1 data line 17
GPIO68	0, 4, 8, 12	133	–	I/O	General-purpose input/output 68
EM1D16	2			I/O	External memory interface 1 data line 16
GPIO69	0, 4, 8, 12			I/O	General-purpose input/output 69
EM1D15	2			I/O	External memory interface 1 data line 15
SCLB	6	134	75	I/OD	I2C-B clock open-drain bidirectional port
SPISIMOC	15			I/O	SPI-C slave in, master out ⁽²⁾

Table 4-1. Signal Descriptions (continued)

TERMINAL				I/O/Z ⁽¹⁾	DESCRIPTION
NAME	MUX POSITION	PTP PIN NO.	PZP PIN NO.		
GPIO70	0, 4, 8, 12	135	76	I/O	General-purpose input/output 70 ⁽³⁾
EM1D14	2			I/O	External memory interface 1 data line 14
CANRXA	5			I	CAN-A receive
SCITXDB	6			O	SCI-B transmit data
SPISOMIC	15			I/O	SPI-C slave out, master in ⁽²⁾
GPIO71	0, 4, 8, 12	136	77	I/O	General-purpose input/output 71
EM1D13	2			I/O	External memory interface 1 data line 13
CANTXA	5			O	CAN-A transmit
SCIRXDB	6			I	SCI-B receive data
SPICLK	15			I/O	SPI-C clock ⁽²⁾
GPIO72	0, 4, 8, 12	139	80	I/O	General-purpose input/output 72. ⁽³⁾ This is the factory default boot mode select pin 1.
EM1D12	2			I/O	External memory interface 1 data line 12
CANTXB	5			O	CAN-B transmit
SCITXDC	6			O	SCI-C transmit data
SPISTEC	15			I/O	SPI-C slave transmit enable ⁽²⁾
GPIO73	0, 4, 8, 12	140	81	I/O	General-purpose input/output 73
EM1D11	2			I/O	External memory interface 1 data line 11
XCLKOUT	3			O/Z	External clock output. This pin outputs a divided-down version of a chosen clock signal from within the device. The clock signal is chosen using the CLKSRCCTL3.XCLKOUTSEL bit field while the divide ratio is chosen using the XCLKOUTDIVSEL.XCLKOUTDIV bit field.
CANRXB	5			I	CAN-B receive
SCIRXDC	6			I	SCI-C receive
GPIO74	0, 4, 8, 12	141	–	I/O	General-purpose input/output 74
EM1D10	2			I/O	External memory interface 1 data line 10
GPIO75	0, 4, 8, 12	142	–	I/O	General-purpose input/output 75
EM1D9	2			I/O	External memory interface 1 data line 9
GPIO76	0, 4, 8, 12	143	–	I/O	General-purpose input/output 76
EM1D8	2			I/O	External memory interface 1 data line 8
SCITXDD	6			O	SCI-D transmit data
GPIO77	0, 4, 8, 12	144	–	I/O	General-purpose input/output 77
EM1D7	2			I/O	External memory interface 1 data line 7
SCIRXDD	6			I	SCI-D receive data
GPIO78	0, 4, 8, 12	145	82	I/O	General-purpose input/output 78
EM1D6	2			I/O	External memory interface 1 data line 6
EQEP2A	6			I	Enhanced QEP2 input A
GPIO79	0, 4, 8, 12	146	–	I/O	General-purpose input/output 79
EM1D5	2			I/O	External memory interface 1 data line 5
EQEP2B	6			I	Enhanced QEP2 input B
GPIO80	0, 4, 8, 12	148	–	I/O	General-purpose input/output 80
EM1D4	2			I/O	External memory interface 1 data line 4
EQEP2S	6			I/O	Enhanced QEP2 strobe

Table 4-1. Signal Descriptions (continued)

TERMINAL				I/O/Z ⁽¹⁾	DESCRIPTION
NAME	MUX POSITION	PTP PIN NO.	PZP PIN NO.		
GPIO81	0, 4, 8, 12			I/O	General-purpose input/output 81
EM1D3	2	149	–	I/O	External memory interface 1 data line 3
EQEP2I	6			I/O	Enhanced QEP2 index
GPIO82	0, 4, 8, 12			I/O	General-purpose input/output 82
EM1D2	2	150	–	I/O	External memory interface 1 data line 2
GPIO83	0, 4, 8, 12			I/O	General-purpose input/output 83
EM1D1	2	151	–	I/O	External memory interface 1 data line 1
GPIO84	0, 4, 8, 12			I/O	General-purpose input/output 84. This is the factory default boot mode select pin 0.
SCITXDA	5	154	85	O	SCI-A transmit data
MDXB	6			O	McBSP-B transmit serial data
MDXA	15			O	McBSP-A transmit serial data
GPIO85	0, 4, 8, 12			I/O	General-purpose input/output 85
EM1D0	2			I/O	External memory interface 1 data line 0
SCIRXDA	5	155	86	I	SCI-A receive data
MDRB	6			I	McBSP-B receive serial data
MDRA	15			I	McBSP-A receive serial data
GPIO86	0, 4, 8, 12			I/O	General-purpose input/output 86
EM1A13	2			O	External memory interface 1 address line 13
EM1CAS	3	156	87	O	External memory interface 1 column address strobe
SCITXDB	5			O	SCI-B transmit data
MCLKXB	6			I/O	McBSP-B transmit clock
MCLKXA	15			I/O	McBSP-A transmit clock
GPIO87	0, 2, 4, 8			I/O	General-purpose input/output 87
EM1A14	2			O	External memory interface 1 address line 14
EM1RAS	3	157	88	O	External memory interface 1 row address strobe
SCIRXDB	5			I	SCI-B receive data
MFSXB	6			I/O	McBSP-B transmit frame synch
MFSXA	15			I/O	McBSP-A transmit frame synch
GPIO88	0, 2, 4, 8			I/O	General-purpose input/output 88
EM1A15	2	170	–	O	External memory interface 1 address line 15
EM1DQM0	3			O	External memory interface 1 Input/output mask for byte 0
GPIO89	0, 2, 4, 8			I/O	General-purpose input/output 89
EM1A16	2	171	96	O	External memory interface 1 address line 16
EM1DQM1	3			O	External memory interface 1 Input/output mask for byte 1
SCITXDC	6			O	SCI-C transmit data
GPIO90	0, 2, 4, 8			I/O	General-purpose input/output 90
EM1A17	2	172	97	O	External memory interface 1 address line 17
EM1DQM2	3			O	External memory interface 1 Input/output mask for byte 2
SCIRXDC	6			I	SCI-C receive data
GPIO91	0, 2, 4, 8			I/O	General-purpose input/output 91
EM1A18	2	173	98	O	External memory interface 1 address line 18
EM1DQM3	3			O	External memory interface 1 Input/output mask for byte 3
SDAA	6			I/OD	I2C-A data open-drain bidirectional port

Table 4-1. Signal Descriptions (continued)

TERMINAL				I/O/Z ⁽¹⁾	DESCRIPTION
NAME	MUX POSITION	PTP PIN NO.	PZP PIN NO.		
GPIO92	0, 2, 4, 8	174	99	I/O	General-purpose input/output 92
EM1A19	2			O	External memory interface 1 address line 19
EM1BA1	3			O	External memory interface 1 bank address 1
SCLA	6			I/OD	I2C-A clock open-drain bidirectional port
GPIO93	0, 2, 4, 8	175	–	I/O	General-purpose input/output 93
EM1BA0	3			O	External memory interface 1 bank address 0
SCITXDD	6			O	SCI-D transmit data
GPIO94	0, 2, 4, 8	176	–	I/O	General-purpose input/output 94
SCIRXDD	6			I	SCI-D receive data
GPIO99	0, 2, 4, 8	17	14	I/O	General-purpose input/output 99
EQEP1I	5			I/O	Enhanced QEPI index
GPIO133/AUXCLKIN	0, 4, 8, 12	118	–	I/O	General-purpose input/output 133. The AUXCLKIN function of this GPIO pin could be used to provide a single-ended 3.3-V level clock signal to the Auxiliary Phase-Locked Loop (AUXPLL), whose output is used for the USB module. The AUXCLKIN clock may also be used for the CAN module.
SD2_C2	7			I	Sigma-Delta 2 channel 2 clock input
RESET					
$\overline{\text{XRS}}$		124	69	I/OD	Device Reset (in) and Watchdog Reset (out). The devices have a built-in power-on reset (POR) circuit. During a power-on condition, this pin is driven low by the device. An external circuit may also drive this pin to assert a device reset. This pin is also driven low by the MCU when a watchdog reset or NMI watchdog reset occurs. During watchdog reset, the XRS pin is driven low for the watchdog reset duration of 512 OSCCLK cycles. A resistor with a value from 2.2 kΩ to 10 kΩ should be placed between $\overline{\text{XRS}}$ and V _{DDIO} . If a capacitor is placed between $\overline{\text{XRS}}$ and V _{SS} for noise filtering, it should be 100 nF or smaller. These values will allow the watchdog to properly drive the XRS pin to V _{OL} within 512 OSCCLK cycles when the watchdog reset is asserted. The output buffer of this pin is an open drain with an internal pullup.
CLOCKS					
X1		123	68	I	On-chip crystal-oscillator input. To use this oscillator, a quartz crystal must be connected across X1 and X2. If this pin is not used, it must be tied to GND. This pin can also be used to feed a single-ended 3.3-V level clock. In this case, X2 is a No Connect (NC).
X2		121	66	O	On-chip crystal-oscillator output. A quartz crystal may be connected across X1 and X2. If X2 is not used, it must be left unconnected.

Table 4-1. Signal Descriptions (continued)

TERMINAL				I/O/Z ⁽¹⁾	DESCRIPTION
NAME	MUX POSITION	PTP PIN NO.	PZP PIN NO.		
JTAG					
TCK		81	50	I	JTAG test clock with internal pullup (see Section 5.5)
TDI		77	46	I	JTAG test data input (TDI) with internal pullup. TDI is clocked into the selected register (instruction or data) on a rising edge of TCK.
TDO		78	47	O/Z	JTAG scan out, test data output (TDO). The contents of the selected register (instruction or data) are shifted out of TDO on the falling edge of TCK. ⁽³⁾
TMS		80	49	I	JTAG test-mode select (TMS) with internal pullup. This serial control input is clocked into the TAP controller on the rising edge of TCK.
$\overline{\text{TRST}}$		79	48	I	JTAG test reset with internal pulldown. $\overline{\text{TRST}}$, when driven high, gives the scan system control of the operations of the device. If this signal is driven low, the device operates in its <u>functional mode</u> , and the test reset signals are ignored. NOTE: $\overline{\text{TRST}}$ must be maintained low at all times during normal device operation. An external pulldown resistor is required on this pin. The value of this resistor should be based on drive strength of the debugger pods applicable to the design. A 2.2-k Ω or smaller resistor generally offers adequate protection. The value of the resistor is application-specific. TI recommends that each target board be validated for proper operation of the debugger and the application. This pin has an internal 50-ns (nominal) glitch filter.
INTERNAL VOLTAGE REGULATOR CONTROL					
VREGENZ		119	64	I	Internal voltage regulator enable with internal pulldown. To enable the 1.2-V VREG, pull low to V_{SS} . To disable, pull high to V_{DDIO} .
ANALOG, DIGITAL, AND I/O POWER					
V_{DD}		16	16		1.2-V digital logic power pins. If the internal 1.2-V VREG is used, place a decoupling capacitor near each V_{DD} pin and distribute 12 μF to 26 μF evenly across all V_{DD} pins. If an external supply is used, TI recommends a minimum total capacitance of 20 μF . The exact value of the decoupling capacitance should be determined by your system voltage regulation solution.
		21	39		
		61	45		
		76	63		
		117	71		
		126	78		
		137	84		
		153	89		
	158	95			
	169	–			
V_{DD3VFL}		72	41		3.3-V Flash power pin. Place a minimum 0.1- μF decoupling capacitor on each pin.
V_{DDA}		35	18		3.3-V analog power pins. Place a minimum 2.2- μF decoupling capacitor to V_{SSA} on each pin.
		36	38		
		54	–		

Table 4-1. Signal Descriptions (continued)

TERMINAL				I/O/Z ⁽¹⁾	DESCRIPTION
NAME	MUX POSITION	PTP PIN NO.	PZP PIN NO.		
V _{DDIO}		3	2		3.3-V digital I/O power pins. Place a minimum 0.1- μ F decoupling capacitor on each pin. The exact value of the decoupling capacitance should be determined by your system voltage regulation solution.
		11	10		
		15	15		
		20	40		
		26	44		
		62	55		
		68	62		
		75	72		
		82	79		
		88	83		
		91	90		
		99	94		
		106	–		
		114	–		
		116	–		
	127	–			
	138	–			
	147	–			
	152	–			
	159	–			
	168	–			
V _{DDOSC}		120	65		Power pins for the 3.3-V on-chip crystal oscillator (X1 and X2) and the two zero-pin internal oscillators (INTOSC). Place a 0.1- μ F (minimum) decoupling capacitor on each pin.
		125	70		
V _{SS}		PWR PAD	PWR PAD		Analog and digital ground. For Quad Flatpacks (QFPs), the PowerPAD on the bottom of the package must be soldered to the ground plane of the PCB.
V _{SSOSC}		122	67		Crystal oscillator (X1 and X2) ground pin. When using an external crystal, do not connect this pin to the board ground. Instead, connect it to the ground reference of the external crystal oscillator circuit. If an external crystal is not used, this pin may be connected to the board ground.
V _{SSA}		32	17		Analog module ground pins. On the PZP package, pin 17 is double-bonded to V _{SSA} and V _{REFLOA} . This pin must be connect to V _{SSA} .
		34	35		
		52	36		
SPECIAL FUNCTIONS					
ERRORSTS		92	–	O	Error status output. This pin has an internal pulldown.
TEST PINS					
FLT1		73	42	I/O	Flash test pin 1. Reserved for TI. Must be left unconnected.
FLT2		74	43	I/O	Flash test pin 2. Reserved for TI. Must be left unconnected.

(1) I = Input, O = Output, OD = Open Drain, Z = High Impedance

(2) High-Speed SPI-enabled GPIO mux option. This pin mux option is required when using the SPI in High-Speed Mode (HS_MODE = 1 in SPICCR). This mux option is still available when not using the SPI in High-Speed Mode (HS_MODE = 0 in SPICCR).

(3) This pin has output impedance that can be as low as 22 Ω . This output could have fast edges and ringing depending on the system PCB characteristics. If this is a concern, the user should take precautions such as adding a 39 Ω (10% tolerance) series termination resistor or implement some other termination scheme. It is also recommended that a system-level signal integrity analysis be performed with the provided IBIS models. The termination is not required if this pin is used for input function.

4.3 Pins With Internal Pullup and Pulldown

Some pins on the device have internal pullups or pulldowns. [Table 4-2](#) lists the pull direction and when it is active. The pullups on GPIO pins are disabled by default and can be enabled through software. In order to avoid any floating unbonded inputs, the Boot ROM will enable internal pullups on GPIO pins that are not bonded out in a particular package. Other pins noted in [Table 4-2](#) with pullups and pulldowns are always on and cannot be disabled.

Table 4-2. Pins With Internal Pullup and Pulldown

PIN	RESET (XRS = 0)	DEVICE BOOT	APPLICATION SOFTWARE
GPIOx	Pullup disabled	Pullup disabled ⁽¹⁾	Pullup enable is application-defined
$\overline{\text{TRST}}$		Pulldown active	
TCK		Pullup active	
TMS		Pullup active	
TDI		Pullup active	
$\overline{\text{XRS}}$		Pullup active	
VREGENZ		Pulldown active	
ERRORSTS		Pulldown active	
Other pins		No pullup or pulldown present	

(1) Pins not bonded out in a given package will have the internal pullups enabled by the Boot ROM.

4.4 Connections for Unused Pins

For applications that do not need to use all functions of the device, [Table 4-3](#) lists acceptable conditioning for any unused pins. When multiple options are listed in [Table 4-3](#), any are acceptable. Pins not listed in [Table 4-3](#) must be connected according to [Table 4-1](#).

Table 4-3. Connections for Unused Pins

SIGNAL NAME	ACCEPTABLE PRACTICE
Analog	
V _{REFHIX}	Tie to V _{DDA}
V _{REFLOX}	Tie to V _{SSA}
ADCIN _x	<ul style="list-style-type: none"> • No Connect • Tie to V_{SSA}
Digital	
GPIO _x	<ul style="list-style-type: none"> • Input mode with internal pullup enabled • Input mode with external pullup or pulldown resistor • Output mode with internal pullup disabled
X1	Tie to V _{SS}
X2	No Connect
TCK	<ul style="list-style-type: none"> • No Connect • Pullup resistor
TDI	<ul style="list-style-type: none"> • No Connect • Pullup resistor
TDO	No Connect
TMS	No Connect
$\overline{\text{TRST}}$	Pulldown resistor (2.2 k Ω or smaller)
V _{REGENZ}	Tie to V _{DDIO}
ERRORSTS	No Connect
FLT1	No Connect
FLT2	No Connect
Power and Ground	
V _{DD}	All V _{DD} pins must be connected per Table 4-1 .
V _{DDA}	If a separate analog supply is not used, tie to V _{DDIO} .
V _{DDIO}	All V _{DDIO} pins must be connected per Table 4-1 .
V _{DD3VFL}	Must be tied to V _{DDIO}
V _{DDOSC}	Must be tied to V _{DDIO}
V _{SS}	All V _{SS} pins must be connected to board ground.
V _{SSA}	If a separate analog ground is not used, tie to V _{SS} .
V _{SSOSC}	If an external crystal is not used, this pin may be connected to the board ground.

4.5 Pin Multiplexing

4.5.1 GPIO Muxed Pins

Table 4-4 shows the GPIO muxed pins. The default for each pin is the GPIO function, secondary functions can be selected by setting both the GPyGMUXn.GPIOz and GPyMUXn.GPIOz register bits. The GPyGMUXn register should be configured prior to the GPyMUXn to avoid transient pulses on GPIO's from alternate mux selections. Columns not shown and blank cells are reserved GPIO Mux settings.

Table 4-4. GPIO Muxed Pins⁽¹⁾⁽²⁾

GPIO Index	GPIO Mux Selection							
	0, 4, 8, 12	1	2	3	5	6	7	15
GPyGMUXn. GPIOz =	00b, 01b, 10b, 11b	00b			01b			11b
GPyMUXn. GPIOz =	00b	01b	10b	11b	01b	10b	11b	11b
GPIO0	GPIO0	EPWM1A (O)				SDAA (I/OD)		
GPIO1	GPIO1	EPWM1B (O)		MFSRB (I/O)		SCLA (I/OD)		
GPIO2	GPIO2	EPWM2A (O)			OUTPUTXBAR1 (O)	SDAB (I/OD)		
GPIO3	GPIO3	EPWM2B (O)	OUTPUTXBAR2 (O)	MCLKRB (I/O)	OUTPUTXBAR2 (O)	SCLB (I/OD)		
GPIO4	GPIO4	EPWM3A (O)			OUTPUTXBAR3 (O)	CANTXA (O)		
GPIO5	GPIO5	EPWM3B (O)	MFSRA (I/O)	OUTPUTXBAR3 (O)		CANRXA (I)		
GPIO6	GPIO6	EPWM4A (O)	OUTPUTXBAR4 (O)	EXTSYNCOOUT (O)	EQEP3A (I)	CANTXB (O)		
GPIO7	GPIO7	EPWM4B (O)	MCLKRA (I/O)	OUTPUTXBAR5 (O)	EQEP3B (I)	CANRXB (I)		
GPIO8	GPIO8	EPWM5A (O)	CANTXB (O)	ADCSOCAO (O)	EQEP3S (I/O)	SCITXDA (O)		
GPIO9	GPIO9	EPWM5B (O)	SCITXDB (O)	OUTPUTXBAR6 (O)	EQEP3I (I/O)	SCIRXDA (I)		
GPIO10	GPIO10	EPWM6A (O)	CANRXB (I)	ADCSOCBO (O)	EQEP1A (I)	SCITXDB (O)		
GPIO11	GPIO11	EPWM6B (O)	SCIRXDB (I)	OUTPUTXBAR7 (O)	EQEP1B (I)	SCIRXDB (I)		
GPIO12	GPIO12	EPWM7A (O)	CANTXB (O)	MDXB (O)	EQEP1S (I/O)	SCITXDC (O)		
GPIO13	GPIO13	EPWM7B (O)	CANRXB (I)	MDRB (I)	EQEP11 (I/O)	SCIRXDC (I)		
GPIO14	GPIO14	EPWM8A (O)	SCITXDB (O)	MCLKXB (I/O)		OUTPUTXBAR3 (O)		
GPIO15	GPIO15	EPWM8B (O)	SCIRXDB (I)	MFSXB (I/O)		OUTPUTXBAR4 (O)		
GPIO16	GPIO16	SPISIMOA (I/O)	CANTXB (O)	OUTPUTXBAR7 (O)	EPWM9A (O)		SD1_D1 (I)	
GPIO17	GPIO17	SPISOMIA (I/O)	CANRXB (I)	OUTPUTXBAR8 (O)	EPWM9B (O)		SD1_C1 (I)	
GPIO18	GPIO18	SPICLKA (I/O)	SCITXDB (O)	CANRXA (I)	EPWM10A (O)		SD1_D2 (I)	
GPIO19	GPIO19	SPISTEA (I/O)	SCIRXDB (I)	CANTXA (O)	EPWM10B (O)		SD1_C2 (I)	
GPIO20	GPIO20	EQEP1A (I)	MDXA (O)	CANTXB (O)	EPWM11A (O)		SD1_D3 (I)	
GPIO21	GPIO21	EQEP1B (I)	MDRA (I)	CANRXB (I)	EPWM11B (O)		SD1_C3 (I)	
GPIO22	GPIO22	EQEP1S (I/O)	MCLKXA (I/O)	SCITXDB (O)	EPWM12A (O)	SPICLKB (I/O)	SD1_D4 (I)	
GPIO23	GPIO23	EQEP1I (I/O)	MFSXA (I/O)	SCIRXDB (I)	EPWM12B (O)	SPISTEB (I/O)	SD1_C4 (I)	
GPIO24	GPIO24	OUTPUTXBAR1 (O)	EQEP2A (I)	MDXB (O)		SPISIMOB (I/O)	SD2_D1 (I)	
GPIO25	GPIO25	OUTPUTXBAR2 (O)	EQEP2B (I)	MDRB (I)		SPISOMIB (I/O)	SD2_C1 (I)	
GPIO26	GPIO26	OUTPUTXBAR3 (O)	EQEP2I (I/O)	MCLKXB (I/O)	OUTPUTXBAR3 (O)	SPICLKB (I/O)	SD2_D2 (I)	
GPIO27	GPIO27	OUTPUTXBAR4 (O)	EQEP2S (I/O)	MFSXB (I/O)	OUTPUTXBAR4 (O)	SPISTEB (I/O)	SD2_C2 (I)	
GPIO28	GPIO28	SCIRXDA (I)	EM1CS4 (O)		OUTPUTXBAR5 (O)	EQEP3A (I)	SD2_D3 (I)	
GPIO29	GPIO29	SCITXDA (O)	EM1SDCKE (O)		OUTPUTXBAR6 (O)	EQEP3B (I)	SD2_C3 (I)	
GPIO30	GPIO30	CANRXA (I)	EM1CLK (O)		OUTPUTXBAR7 (O)	EQEP3S (I/O)	SD2_D4 (I)	
GPIO31	GPIO31	CANTXA (O)	EM1WE (O)		OUTPUTXBAR8 (O)	EQEP3I (I/O)	SD2_C4 (I)	
GPIO32	GPIO32	SDAA (I/OD)	EM1CS0 (O)					
GPIO33	GPIO33	SCLA (I/OD)	EM1RNW (O)					
GPIO34	GPIO34	OUTPUTXBAR1 (O)	EM1CS2 (O)			SDAB (I/OD)		
GPIO35	GPIO35	SCIRXDA (I)	EM1CS3 (O)			SCLB (I/OD)		
GPIO36	GPIO36	SCITXDA (O)	EM1WAIT (I)			CANRXA (I)		
GPIO37	GPIO37	OUTPUTXBAR2 (O)	EM1OE (O)			CANTXA (O)		
GPIO38	GPIO38		EM1A0 (O)		SCITXDC (O)	CANTXB (O)		
GPIO39	GPIO39		EM1A1 (O)		SCIRXDC (I)	CANRXB (I)		

(1) I = Input, O = Output, OD = Open Drain

(2) GPIO Index settings of 9, 10, 11, 13, and 14 are reserved.

Table 4-4. GPIO Muxed Pins⁽¹⁾⁽²⁾ (continued)

GPIO Index	GPIO Mux Selection							
	0, 4, 8, 12	1	2	3	5	6	7	15
GPyGMUXn. GPIOz =	00b, 01b, 10b, 11b	00b			01b			11b
GPyMUXn. GPIOz =	00b	01b	10b	11b	01b	10b	11b	11b
GPIO40			EM1A2 (O)			SDAB (I/OD)		
GPIO41			EM1A3 (O)			SCLB (I/OD)		
GPIO42						SDAA (I/OD)		SCITXDA (O)
GPIO43						SCLA (I/OD)		SCIRXDA (I)
GPIO44			EM1A4 (O)					
GPIO45			EM1A5 (O)					
GPIO46			EM1A6 (O)			SCIRXDD (I)		
GPIO47			EM1A7 (O)			SCITXDD (O)		
GPIO48	OUTPUTXBAR3 (O)		EM1A8 (O)			SCITXDA (O)	SD1_D1 (I)	
GPIO49	OUTPUTXBAR4 (O)		EM1A9 (O)			SCIRXDA (I)	SD1_C1 (I)	
GPIO50	EQEP1A (I)		EM1A10 (O)			SPISIMOC (I/O)	SD1_D2 (I)	
GPIO51	EQEP1B (I)		EM1A11 (O)			SPISOMIC (I/O)	SD1_C2 (I)	
GPIO52	EQEP1S (I/O)		EM1A12 (O)			SPICLK (I/O)	SD1_D3 (I)	
GPIO53	EQEP1I (I/O)		EM1D31 (I/O)			SPISTEC (I/O)	SD1_C3 (I)	
GPIO54	SPISIMOA (I/O)		EM1D30 (I/O)		EQEP2A (I)	SCITXDB (O)	SD1_D4 (I)	
GPIO55	SPISOMIA (I/O)		EM1D29 (I/O)		EQEP2B (I)	SCIRXDB (I)	SD1_C4 (I)	
GPIO56	SPICLKA (I/O)		EM1D28 (I/O)		EQEP2S (I/O)	SCITXDC (O)	SD2_D1 (I)	
GPIO57	SPISTEA (I/O)		EM1D27 (I/O)		EQEP2I (I/O)	SCIRXDC (I)	SD2_C1 (I)	
GPIO58	MCLKRA (I/O)		EM1D26 (I/O)		OUTPUTXBAR1 (O)	SPICLKB (I/O)	SD2_D2 (I)	SPISIMOA ⁽³⁾ (I/O)
GPIO59	MFSRA (I/O)		EM1D25 (I/O)		OUTPUTXBAR2 (O)	SPISTEB (I/O)	SD2_C2 (I)	SPISOMIA ⁽³⁾ (I/O)
GPIO60	MCLKRB (I/O)		EM1D24 (I/O)		OUTPUTXBAR3 (O)	SPISIMOB (I/O)	SD2_D3 (I)	SPICLKA ⁽³⁾ (I/O)
GPIO61	MFSRB (I/O)		EM1D23 (I/O)		OUTPUTXBAR4 (O)	SPISOMIB (I/O)	SD2_C3 (I)	SPISTEA ⁽³⁾ (I/O)
GPIO62	SCIRXDC (I)		EM1D22 (I/O)		EQEP3A (I)	CANRXA (I)	SD2_D4 (I)	
GPIO63	SCITXDC (O)		EM1D21 (I/O)		EQEP3B (I)	CANTXA (O)	SD2_C4 (I)	SPISIMOB ⁽³⁾ (I/O)
GPIO64			EM1D20 (I/O)		EQEP3S (I/O)	SCIRXDA (I)		SPISOMIB ⁽³⁾ (I/O)
GPIO65			EM1D19 (I/O)		EQEP3I (I/O)	SCITXDA (O)		SPICLKB ⁽³⁾ (I/O)
GPIO66			EM1D18 (I/O)			SDAB (I/OD)		SPISTEB ⁽³⁾ (I/O)
GPIO67			EM1D17 (I/O)					
GPIO68			EM1D16 (I/O)					
GPIO69			EM1D15 (I/O)			SCLB (I/OD)		SPISIMOC ⁽³⁾ (I/O)
GPIO70			EM1D14 (I/O)		CANRXA (I)	SCITXDB (O)		SPISOMIC ⁽³⁾ (I/O)
GPIO71			EM1D13 (I/O)		CANTXA (O)	SCIRXDB (I)		SPICLK ⁽³⁾ (I/O)
GPIO72			EM1D12 (I/O)		CANTXB (O)	SCITXDC (O)		SPISTEC ⁽³⁾ (I/O)
GPIO73			EM1D11 (I/O)	XCLKOUT (O)	CANRXB (I)	SCIRXDC (I)		
GPIO74			EM1D10 (I/O)					
GPIO75			EM1D9 (I/O)					
GPIO76			EM1D8 (I/O)			SCITXDD (O)		
GPIO77			EM1D7 (I/O)			SCIRXDD (I)		
GPIO78			EM1D6 (I/O)			EQEP2A (I)		
GPIO79			EM1D5 (I/O)			EQEP2B (I)		
GPIO80			EM1D4 (I/O)			EQEP2S (I/O)		
GPIO81			EM1D3 (I/O)			EQEP2I (I/O)		
GPIO82			EM1D2 (I/O)					
GPIO83			EM1D1 (I/O)					
GPIO84					SCITXDA (O)	MDXB (O)		MDXA (O)
GPIO85			EM1D0 (I/O)		SCIRXDA (I)	MDRB (I)		MDRA (I)
GPIO86			EM1A13 (O)	EM1CAS (O)	SCITXDB (O)	MCLKXB (I/O)		MCLKXA (I/O)
GPIO87			EM1A14 (O)	EM1RAS (O)	SCIRXDB (I)	MFSXB (I/O)		MFSXA (I/O)
GPIO88			EM1A15 (O)	EM1DQM0 (O)				
GPIO89			EM1A16 (O)	EM1DQM1 (O)		SCITXDC (O)		

(3) High-Speed SPI-enabled GPIO mux option. This pin mux option is required when using the SPI in High-Speed Mode (HS_MODE = 1 in SPICCR). This mux option is still available when not using the SPI in High-Speed Mode (HS_MODE = 0 in SPICCR).

Table 4-4. GPIO Muxed Pins⁽¹⁾⁽²⁾ (continued)

GPIO Index	GPIO Mux Selection							
	0, 4, 8, 12	1	2	3	5	6	7	15
GPyGMUXn. GPIOz =	00b, 01b, 10b, 11b	00b			01b			11b
GPyMUXn. GPIOz =	00b	01b	10b	11b	01b	10b	11b	11b
	GPIO90		EM1A17 (O)	EM1DQM2 (O)		SCIRXDC (I)		
	GPIO91		EM1A18 (O)	EM1DQM3 (O)		SDAA (I/OD)		
	GPIO92		EM1A19 (O)	EM1BA1 (O)		SCLA (I/OD)		
	GPIO93			EM1BA0 (O)		SCITXDD (O)		
	GPIO94					SCIRXDD (I)		
	GPIO99				EQEP1I (I/O)			
	GPIO133/ AUXCLKIN						SD2_C2 (I)	

4.5.2 Input X-BAR

The Input X-BAR is used to route any GPIO input to the ADC, eCAP, and ePWM peripherals as well as to external interrupts (XINT) (see Figure 4-3). Table 4-5 shows the input X-BAR destinations. For details on configuring the Input X-BAR, see the Crossbar (X-BAR) chapter of the *TMS320F2807x Piccolo Microcontrollers Technical Reference Manual*.

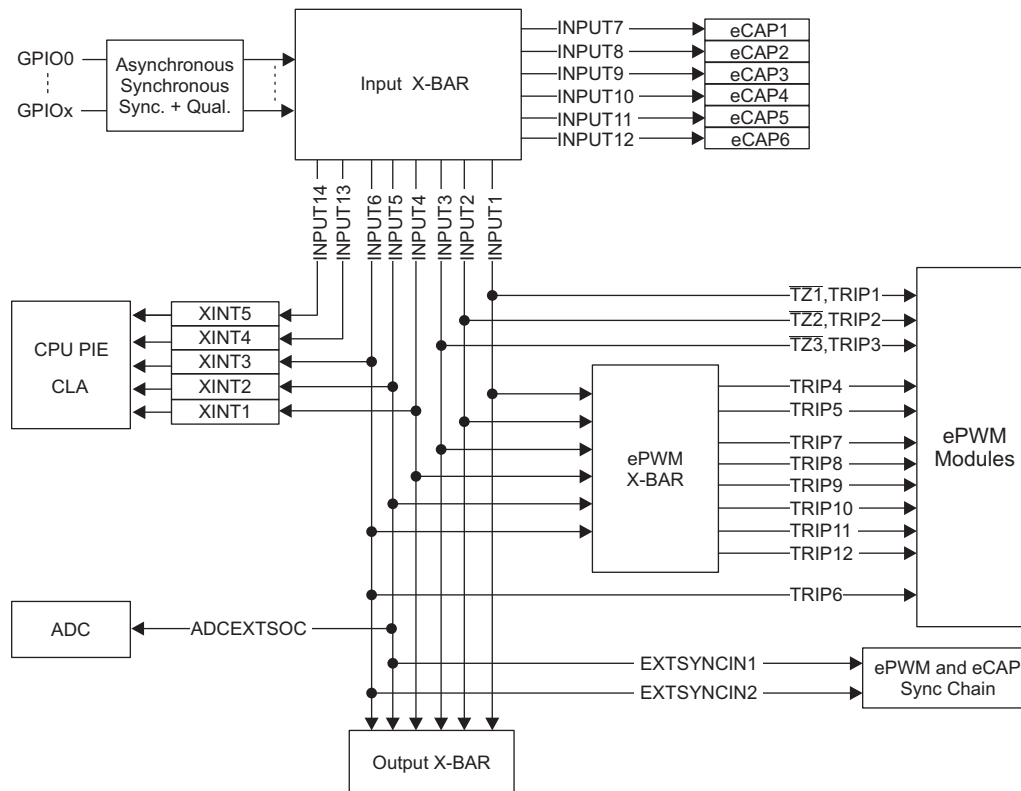


Figure 4-3. Input X-BAR

Table 4-5. Input X-BAR Destinations

INPUT	DESTINATIONS
INPUT1	EPWM[TZ1, TRIP1], EPWM X-BAR, Output X-BAR
INPUT2	EPWM[TZ2, TRIP2], EPWM X-BAR, Output X-BAR
INPUT3	EPWM[TZ3, TRIP3], EPWM X-BAR, Output X-BAR
INPUT4	XINT1, EPWM X-BAR, Output X-BAR
INPUT5	XINT2, ADCEXTSOC, EXTSYNINCIN1, EPWM X-BAR, Output X-BAR
INPUT6	XINT3, EPWM[TRIP6], EXTSYNINCIN2, EPWM X-BAR, Output X-BAR
INPUT7	ECAP1
INPUT8	ECAP2
INPUT9	ECAP3
INPUT10	ECAP4
INPUT11	ECAP5
INPUT12	ECAP6
INPUT13	XINT4
INPUT14	XINT5

4.5.3 Output X-BAR and ePWM X-BAR

The Output X-BAR has eight outputs which can be selected on the GPIO mux as OUTPUTXBARx. The ePWM X-BAR has eight outputs which are connected to the TRIPx inputs of the ePWM. The sources for both the Output X-BAR and ePWM X-BAR are shown in Figure 4-4. For details on the Output X-BAR and ePWM X-BAR, see the Crossbar (X-BAR) chapter of the [TMS320F2807x Piccolo Microcontrollers Technical Reference Manual](#).

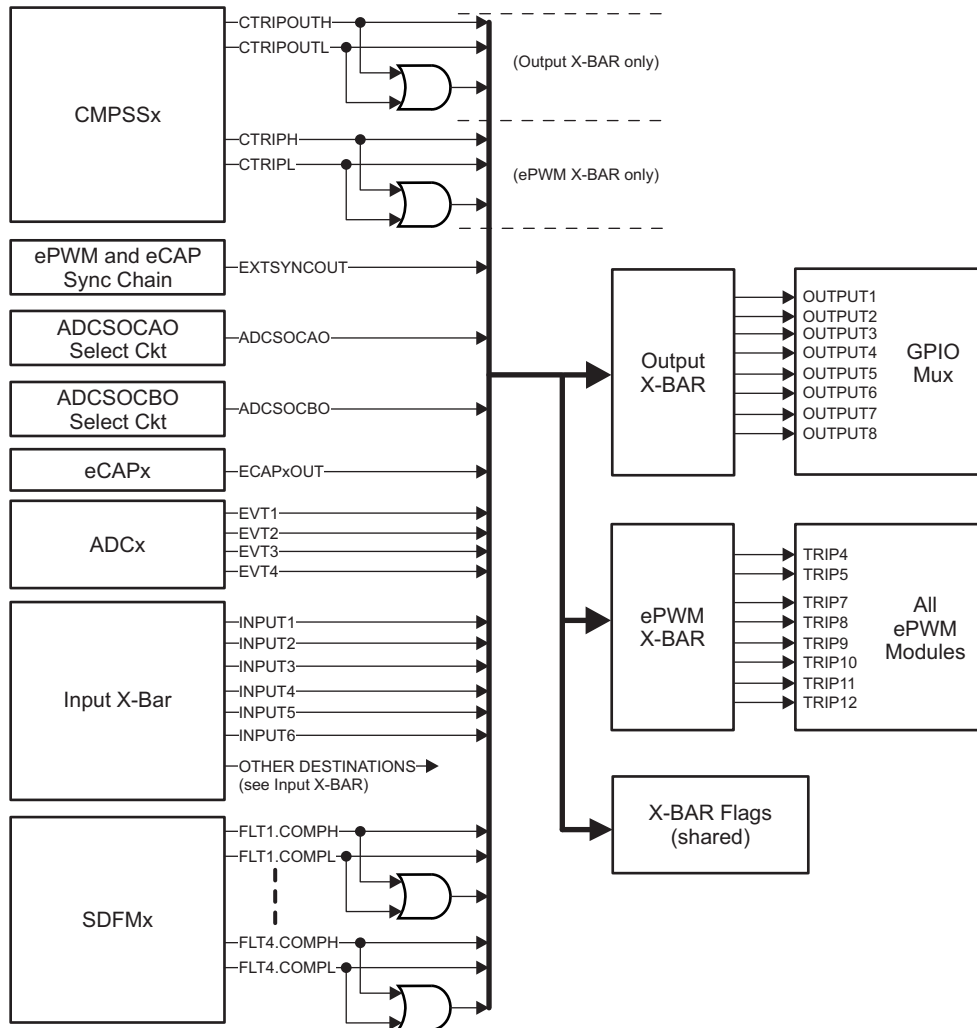


Figure 4-4. Output X-BAR and ePWM X-BAR

4.5.4 USB Pin Muxing

Table 4-6 shows assignment of the alternate USB function mapping. These can be configured with the GPBAMSEL register.

Table 4-6. Alternate USB Function

GPIO	GPBAMSEL SETTING	USB FUNCTION
GPIO42	GPBAMSEL[10] = 1b	USB0DM
GPIO43	GPBAMSEL[11] = 1b	USB0DP

4.5.5 High-Speed SPI Pin Muxing

The SPI module on this device has a high-speed mode. To achieve the highest possible speed, a special GPIO configuration is used on a single GPIO mux option for each SPI. These GPIOs may also be used by the SPI when not in high-speed mode (HS_MODE = 0).

To select the mux options that enable the SPI high-speed mode, configure the GPyGMUX and GPyMUX registers as shown in Table 4-7.

Table 4-7. GPIO Configuration for High-Speed SPI

GPIO	SPI SIGNAL	MUX CONFIGURATION	
SPIA			
GPIO58	SPISIMOA	GPBGMUX2[21:20]=11b	GPBMUX2[21:20]=11b
GPIO59	SPISOMIA	GPBGMUX2[23:22]=11b	GPBMUX2[23:22]=11b
GPIO60	SPICLKA	GPBGMUX2[25:24]=11b	GPBMUX2[25:24]=11b
GPIO61	$\overline{\text{SPISTEA}}$	GPBGMUX2[27:26]=11b	GPBMUX2[27:26]=11b
SPIB			
GPIO63	SPISIMOB	GPBGMUX2[31:30]=11b	GPBMUX2[31:30]=11b
GPIO64	SPISOMIB	GPCGMUX1[1:0]=11b	GPCMUX1[1:0]=11b
GPIO65	SPICLKB	GPCGMUX1[3:2]=11b	GPCMUX1[3:2]=11b
GPIO66	$\overline{\text{SPISTEB}}$	GPCGMUX1[5:4]=11b	GPCMUX1[5:4]=11b
SPIC			
GPIO69	SPISIMOC	GPCGMUX1[11:10]=11b	GPCMUX1[11:10]=11b
GPIO70	SPISOMIC	GPCGMUX1[13:12]=11b	GPCMUX1[13:12]=11b
GPIO71	SPICLKC	GPCGMUX1[15:14]=11b	GPCMUX1[15:14]=11b
GPIO72	$\overline{\text{SPISTEC}}$	GPCGMUX1[17:16]=11b	GPCMUX1[17:16]=11b

5 Specifications

5.1 Absolute Maximum Ratings⁽¹⁾⁽²⁾

over operating free-air temperature range (unless otherwise noted)

		MIN	MAX	UNIT
Supply voltage	V_{DDIO} with respect to V_{SS}	-0.3	4.6	V
	V_{DD3VFL} with respect to V_{SS}	-0.3	4.6	
	V_{DDOSC} with respect to V_{SS}	-0.3	4.6	
	V_{DD} with respect to V_{SS}	-0.3	1.5	
Analog voltage	V_{DDA} with respect to V_{SSA}	-0.3	4.6	V
Input voltage	V_{IN} (3.3 V)	-0.3	4.6	V
Output voltage	V_O	-0.3	4.6	V
Input clamp current	Digital input (per pin), I_{IK} ($V_{IN} < V_{SS}$ or $V_{IN} > V_{DDIO}$)	-20	20	mA
	Analog input (per pin), $I_{IKANALOG}$ ($V_{IN} < V_{SSA}$ or $V_{IN} > V_{DDA}$)	-20	20	
	Total for all inputs, $I_{IKTOTAL}$ ($V_{IN} < V_{SS}/V_{SSA}$ or $V_{IN} > V_{DDIO}/V_{DDA}$)	-20	20	
Output current	Digital output (per pin), I_{OUT}	-20	20	mA
Free-Air temperature	T_A	-40	125	°C
Operating junction temperature	T_J	-40	150	°C
Storage temperature ⁽³⁾	T_{stg}	-65	150	°C

- (1) Stresses beyond those listed under absolute maximum ratings may cause permanent damage to the device. These are stress ratings only, and functional operation of the device at these or any other conditions beyond those indicated under [Section 5.3](#) is not implied. Exposure to absolute-maximum-rated conditions for extended periods may affect device reliability.
- (2) All voltage values are with respect to V_{SS} , unless otherwise noted.
- (3) Long-term high-temperature storage or extended use at maximum temperature conditions may result in a reduction of overall device life. For additional information, see [Semiconductor and IC Package Thermal Metrics](#).

5.2 ESD Ratings

			VALUE	UNIT
TMS320F2807x in 176-pin PTP package				
$V_{(ESD)}$ Electrostatic discharge	Human body model (HBM), per AEC Q100-002 ⁽¹⁾	All pins	±2000	V
	Charged device model (CDM), per AEC Q100-011	All pins	±500	
		Corner pins on 176-pin PTP: 1, 44, 45, 88, 89, 132, 133, 176	±750	
TMS320F2807x in 100-pin PZP package				
$V_{(ESD)}$ Electrostatic discharge	Human body model (HBM), per AEC Q100-002 ⁽¹⁾	All pins	±2000	V
	Charged device model (CDM), per AEC Q100-011	All pins	±500	
		Corner pins on 100-pin PZP: 1, 25, 26, 50, 51, 75, 76, 100	±750	

- (1) AEC Q100-002 indicates HBM stressing is done in accordance with the ANSI/ESDA/JEDEC JS-001 specification.

5.3 Recommended Operating Conditions

		MIN	NOM	MAX	UNIT
Device supply voltage, I/O, $V_{DDIO}^{(1)}$		3.14	3.3	3.47	V
Device supply voltage, V_{DD}		1.14	1.2	1.26	V
Supply ground, V_{SS}			0		V
Analog supply voltage, V_{DDA}		3.14	3.3	3.47	V
Analog ground, V_{SSA}			0		V
Junction temperature, T_J	T version	-40		105	°C
	S version ⁽²⁾	-40		125	
	Q version (Q100 qualification) ⁽²⁾	-40		150	
Free-Air temperature, T_A	Q version (Q100 qualification)	-40		125	°C

(1) V_{DDIO} , V_{DD3VFL} , and V_{DDOSC} should be maintained within 0.3 V of each other.

(2) Operation above $T_J = 105^\circ\text{C}$ for extended duration will reduce the lifetime of the device. See [Calculating Useful Lifetimes of Embedded Processors](#) for more information.

5.4 Power Consumption Summary

Current values listed in this section are representative for the test conditions given and not the absolute maximum possible. The actual device currents in an application will vary with application code and pin configurations. [Table 5-1](#) shows the device current consumption at 120-MHz SYSCLK.

Table 5-1. Device Current Consumption at 120-MHz SYSCLK

MODE	TEST CONDITIONS	I_{DD}		$I_{DDIO}^{(1)}$		I_{DDA}		I_{DD3VFL}	
		TYP ⁽²⁾	MAX ⁽³⁾	TYP ⁽²⁾	MAX ⁽³⁾	TYP ⁽²⁾	MAX ⁽³⁾	TYP ⁽²⁾	MAX ⁽³⁾
Operational (RAM)	<ul style="list-style-type: none"> Code is running out of RAM.⁽⁴⁾ All I/O pins are left unconnected. Peripherals not active have their clocks disabled. FLASH is read and in active state. XCLKOUT is enabled at SYSCLK/4. 	140 mA	270 mA	25 mA		13 mA	20 mA	33 mA	40 mA
IDLE	<ul style="list-style-type: none"> CPU1 is in IDLE mode. Flash is powered down. XCLKOUT is turned off. 	50 mA	160 mA	3 mA	10 mA	10 μ A	150 μ A	10 μ A	150 μ A
STANDBY	<ul style="list-style-type: none"> CPU1 is in STANDBY mode. Flash is powered down. XCLKOUT is turned off. 	25 mA	135 mA	3 mA	10 mA	5 μ A	150 μ A	10 μ A	150 μ A
HALT	<ul style="list-style-type: none"> CPU1 watchdog is running. Flash is powered down. XCLKOUT is turned off. 	1.5 mA	110 mA	750 μ A	2 mA	5 μ A	150 μ A	10 μ A	150 μ A
HIBERNATE	<ul style="list-style-type: none"> CPU1.M0 and CPU1.M1 RAMs are in low-power data retention mode. 	300 μ A	4 mA	750 μ A	2 mA	5 μ A	75 μ A	1 μ A	50 μ A
Flash Erase/Program	<ul style="list-style-type: none"> CPU1 is running from RAM. All I/O pins are left unconnected. Peripheral clocks are disabled. CPU1 is performing Flash Erase and Programming. XCLKOUT is turned off. 	97 mA	145 mA	3 mA	10 mA	10 μ A	150 μ A	45 mA	55 mA

(1) I_{DDIO} current is dependent on the electrical loading on the I/O pins.

(2) TYP: V_{nom} , 30°C

(3) MAX: V_{max} , 125°C

(4) The following is executed in a loop on CPU1:

- All of the communication peripherals are exercised in loop-back mode: CAN-A to CAN-B; SPI-A to SPI-C; SCI-A to SCI-D; I²C-A to I²C-B; McBSP-A to McBSP-B; USB
- ePWM1 to ePWM12 generate 400-kHz PWM output on 24 pins
- CPU TIMERS active
- DMA does 32-bit burst transfers
- CLA1 does multiply-accumulate tasks
- All ADCs perform continuous conversion
- All DACs ramp voltage up/down at 150 kHz
- CMPSS1 to CMPSS8 active
- TMU calculates a cosine
- FPU does multiply/accumulate with parallel load

5.4.1 Current Consumption Graphs

Figure 5-1 and Figure 5-2 are a typical representation of the relationship between frequency and current consumption/power on the device. The operational test from Table 5-1 was run across frequency at V_{max} and high temperature. Actual results will vary based on the system implementation and conditions.

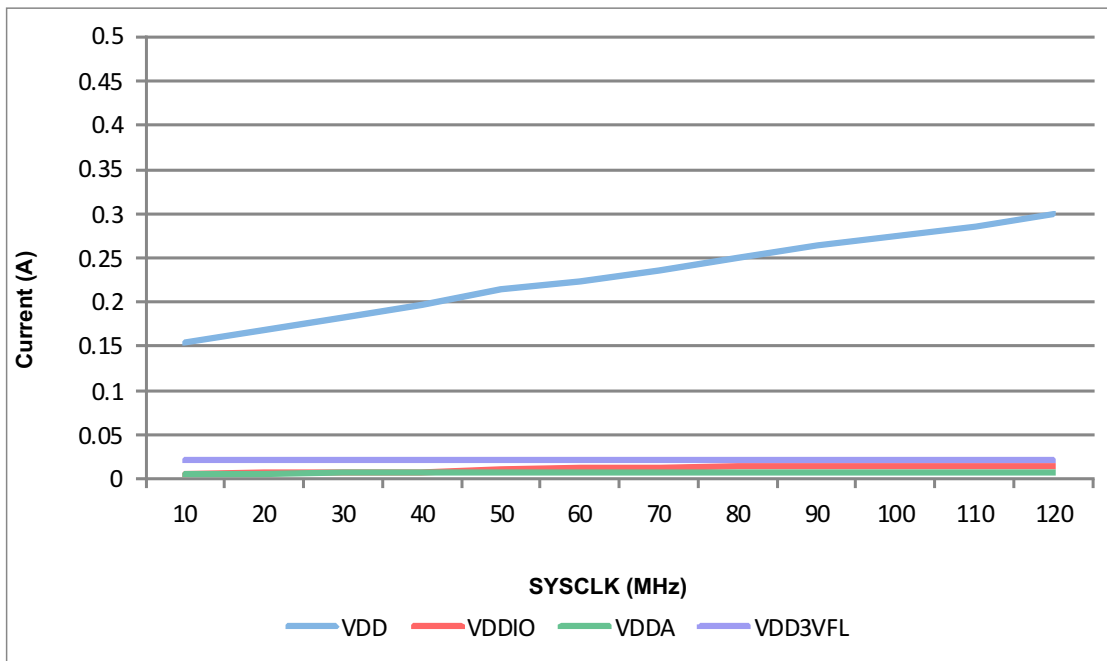


Figure 5-1. Operational Current Versus Frequency

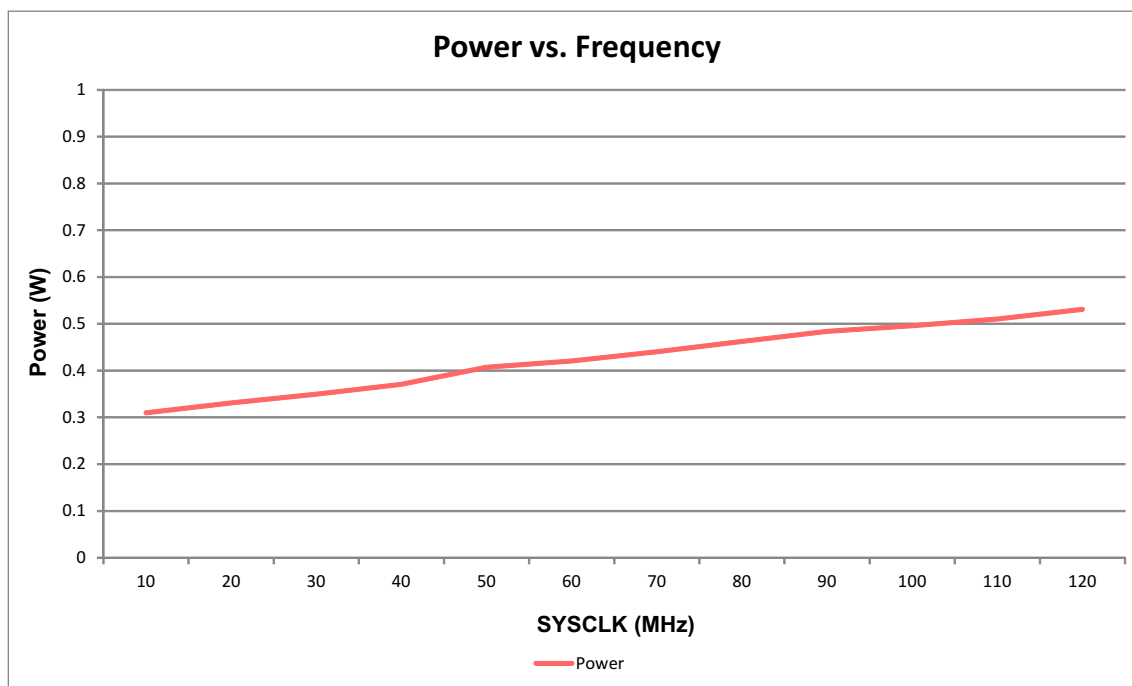


Figure 5-2. Power Versus Frequency

Leakage current will increase with operating temperature in a nonlinear manner. The difference in V_{DD} current between TYP and MAX conditions can be seen in [Figure 5-3](#). The current consumption in HALT mode is primarily leakage current as there is no active switching if the internal oscillator has been powered down.

[Figure 5-3](#) shows the typical leakage current across temperature. The device was placed into HALT mode under nominal voltage conditions.

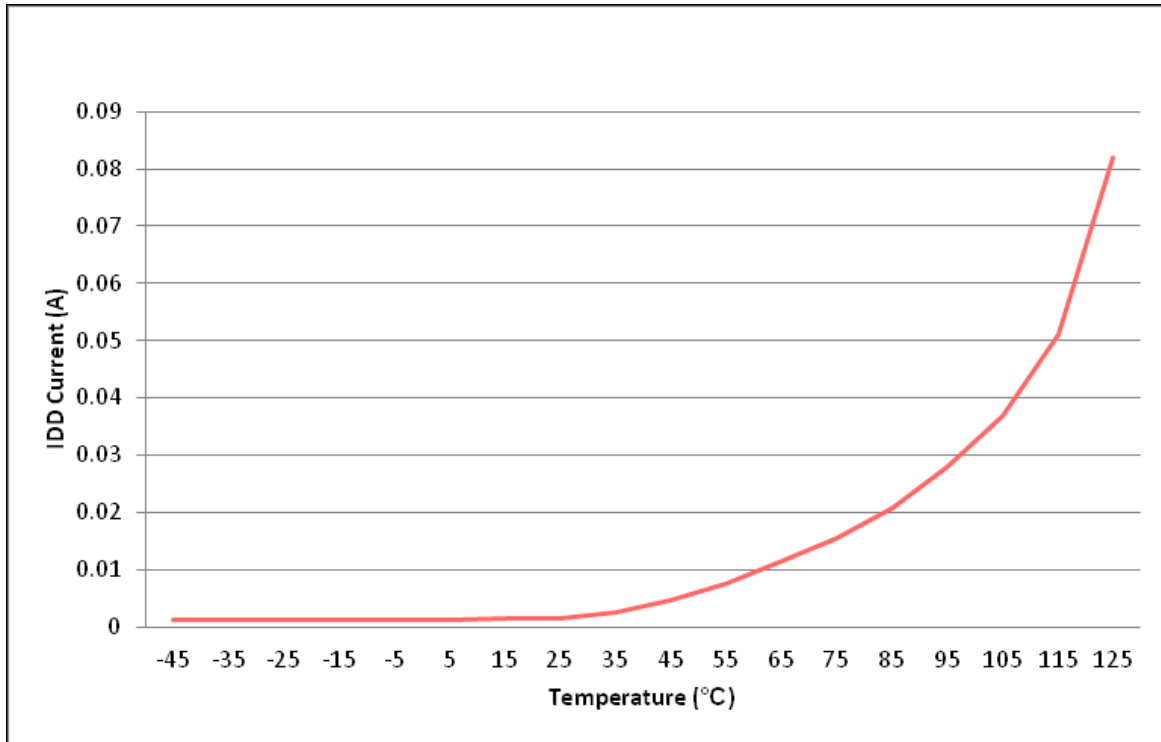


Figure 5-3. I_{DD} Leakage Current Versus Temperature

5.4.2 Reducing Current Consumption

The F2807x devices provide some methods to reduce the device current consumption:

- Any one of the four low-power modes—IDLE, STANDBY, HALT, and HIBERNATE—could be entered during idle periods in the application.
- The flash module may be powered down if the code is run from RAM.
- Disable the pullups on pins that assume an output function.
- Each peripheral has an individual clock-enable bit (PCLKCRx). Reduced current consumption may be achieved by turning off the clock to any peripheral that is not used in a given application. [Table 5-2](#) indicates the typical current reduction that may be achieved by disabling the clocks using the PCLKCRx register.

Table 5-2. Current on V_{DD} Supply by Various Peripherals (at 120 MHz)⁽¹⁾

PERIPHERAL MODULE ⁽²⁾	I _{DD} CURRENT REDUCTION (mA)
ADC ⁽³⁾	2.1
CAN	2.1
CLA	0.9
CMPSS ⁽³⁾	0.9
CPUTIMER	0.2
DAC ⁽³⁾	0.4
DMA	1.8
eCAP	0.4
EMIF1	1.8
ePWM1 to ePWM4 ⁽⁴⁾	2.8
ePWM5 to ePWM12 ⁽⁴⁾	1.1
HRPWM ⁽⁴⁾	1.1
I ² C	0.9
McBSP	1
SCI	0.6
SDFM	1.3
SPI	0.4
USB and AUXPLL at 60 MHz	14.8

(1) At V_{max} and 125°C.

(2) All peripherals are disabled upon reset. Use the PCLKCRx register to individually enable peripherals. For peripherals with multiple instances, the current quoted is for a single module.

(3) This number represents the current drawn by the digital portion of the ADC, CMPSS, and DAC modules.

(4) The ePWM is at /2 of SYSCLK.

5.5 Electrical Characteristics

over recommended operating conditions (unless otherwise noted)

PARAMETER		TEST CONDITIONS	MIN	TYP	MAX	UNIT	
V _{OH}	High-level output voltage	I _{OH} = I _{OH} MIN	V _{DDIO} * 0.8			V	
		I _{OH} = -100 μA	V _{DDIO} - 0.2				
V _{OL}	Low-level output voltage	I _{OL} = I _{OL} MAX	0.4			V	
		I _{OL} = 100 μA	0.2				
I _{OH}	High-level output source current for all output pins		-4			mA	
I _{OL}	Low-level output sink current for all output pins		4			mA	
V _{IH}	High-level input voltage (3.3 V)	GPIO0–GPIO7, GPIO42–GPIO43, GPIO46–GPIO47	V _{DDIO} * 0.7		V _{DDIO} + 0.3	V	
		All other pins	2.0		V _{DDIO} + 0.3		
V _{IL}	Low-level input voltage (3.3 V)		V _{SS} - 0.3		0.8	V	
I _{pull-down}	Input current	Digital inputs with pulldown ⁽¹⁾	V _{DDIO} = 3.3 V V _{IN} = V _{DDIO}	120		μA	
I _{pull-up}	Input current	Digital inputs with pullup enabled ⁽¹⁾	V _{DDIO} = 3.3 V V _{IN} = 0 V	150		μA	
I _{LEAK}	Pin leakage	Digital	Pullups disabled 0 V ≤ V _{IN} ≤ V _{DDIO}		2		μA
		Analog (except ADCINB0 or DACOUTx)	0 V ≤ V _{IN} ≤ V _{DDA}		2		
		ADCINB0			2	11 ⁽²⁾	
		DACOUTx			66		
C _I	Input capacitance				2	pF	

(1) See [Table 4-2](#) for a list of pins with a pullup or pulldown.

(2) The MAX input leakage shown on ADCINB0 is at high temperature.

5.6 Thermal Resistance Characteristics

5.6.1 PTP Package

		°C/W ⁽¹⁾	AIR FLOW (lfm) ⁽²⁾
R _{θJC}	Junction-to-case thermal resistance	6.97	N/A
R _{θJB}	Junction-to-board thermal resistance	6.05	N/A
R _{θJA} (High k PCB)	Junction-to-free air thermal resistance	17.8	0
R _{θJMA}	Junction-to-moving air thermal resistance	12.8	150
		11.4	250
		10.1	500
Psi _{JT}	Junction-to-package top	0.11	0
		0.24	150
		0.33	250
		0.42	500
Psi _{JB}	Junction-to-board	6.1	0
		5.5	150
		5.4	250
		5.3	500

(1) These values are based on a JEDEC-defined 2S2P system (with the exception of the Theta JC [R_{θJC}] value, which is based on a JEDEC-defined 1S0P system) and will change based on environment as well as application. For more information, see these EIA/JEDEC standards:

- JESD51-2, *Integrated Circuits Thermal Test Method Environmental Conditions - Natural Convection (Still Air)*
- JESD51-3, *Low Effective Thermal Conductivity Test Board for Leaded Surface Mount Packages*
- JESD51-7, *High Effective Thermal Conductivity Test Board for Leaded Surface Mount Packages*
- JESD51-9, *Test Boards for Area Array Surface Mount Package Thermal Measurements*

(2) lfm = linear feet per minute

5.6.2 PZP Package

		°C/W ⁽¹⁾	AIR FLOW (lfm) ⁽²⁾
R _{θJC}	Junction-to-case thermal resistance	4.3	N/A
R _{θJB}	Junction-to-board thermal resistance	5.9	N/A
R _{θJA} (High k PCB)	Junction-to-free air thermal resistance	19.1	0
R _{θJMA}	Junction-to-moving air thermal resistance	14.3	150
		12.8	250
		11.4	500
Psi _{JT}	Junction-to-package top	0.03	0
		0.09	150
		0.12	250
		0.20	500
Psi _{JB}	Junction-to-board	6.0	0
		5.5	150
		5.5	250
		5.3	500

(1) These values are based on a JEDEC-defined 2S2P system (with the exception of the Theta JC [R_{θJC}] value, which is based on a JEDEC-defined 1S0P system) and will change based on environment as well as application. For more information, see these EIA/JEDEC standards:

- JESD51-2, *Integrated Circuits Thermal Test Method Environmental Conditions - Natural Convection (Still Air)*
- JESD51-3, *Low Effective Thermal Conductivity Test Board for Leaded Surface Mount Packages*
- JESD51-7, *High Effective Thermal Conductivity Test Board for Leaded Surface Mount Packages*
- JESD51-9, *Test Boards for Area Array Surface Mount Package Thermal Measurements*

(2) lfm = linear feet per minute

5.7 System

5.7.1 Power Management

5.7.1.1 Internal 1.2-V VREG

The internal VREG is supplied by V_{DDIO} and generates the 1.2 V required to power the V_{DD} pins. Enable this functionality by pulling the VREGENZ pin low to V_{SS} . Although the internal VREG eliminates the need to use an external power supply for V_{DD} , decoupling capacitors are required on each V_{DD} pin for VREG stability (see the description of V_{DD} in [Table 4-1](#)).

5.7.1.2 Power Sequencing

An external power supply must be used to supply 3.3 V to V_{DDIO} , V_{DD3VFL} , V_{DDOSC} , and V_{DDA} . V_{DDIO} , V_{DD3VFL} , V_{DDOSC} , and V_{DDA} should be powered up together and be kept within 0.3 V of each other during operation. Before powering the device, no voltage larger than 0.3 V above V_{DDIO} should be applied to any digital pin, and no voltage larger than 0.3 V above V_{DDA} should be applied to any analog pin.

When using an external supply to supply V_{DD} , the voltage on V_{DDIO} should be greater than V_{DD} or no less than 0.3 V below V_{DD} at all times. The supplies should ramp to full rail within 10 ms. When using the internal VREG, the power sequence is handled internally. [Table 5-3](#) shows the supply ramp rate.

Table 5-3. Supply Ramp Rate

		MIN	MAX	UNIT
Supply ramp rate	V_{DDIO} , V_{DD} , V_{DDA} , V_{DD3VFL} , V_{DDOSC} with respect to V_{SS}	330	10^5	V/s

An internal power-on-reset (POR) circuit holds the device in reset and keeps the I/Os in a high-impedance state during power up. External supply voltage supervisors (SVS) can be used to monitor the voltage on the 3.3-V and 1.2-V rails and drive XRS low should supplies fall outside operational specifications.

5.7.2 Reset Timing

\overline{XRS} is the device reset pin. It functions as an input and open-drain output. The device has a built-in power-on reset (POR). During power up, the POR circuit drives the \overline{XRS} pin low. A watchdog or NMI watchdog reset also drives the pin low. An external circuit may drive the pin to assert a device reset.

A resistor with a value from 2.2 k Ω to 10 k Ω should be placed between \overline{XRS} and V_{DDIO} . A capacitor should be placed between \overline{XRS} and V_{SS} for noise filtering; the capacitance should be 100 nF or smaller. These values will allow the watchdog to properly drive the \overline{XRS} pin to V_{OL} within 512 OSCCLK cycles when the watchdog reset is asserted. [Figure 5-4](#) shows the recommended reset circuit.

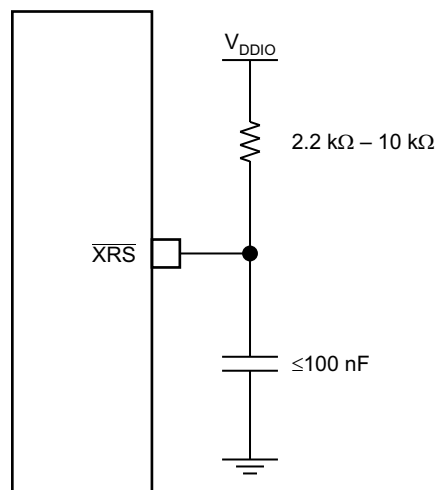


Figure 5-4. Reset Circuit

5.7.2.1 Reset Sources

The following reset sources exist on this device: \overline{XRS} , \overline{WDRS} , $\overline{NMIWDRS}$, \overline{SYSRS} , $\overline{SCCRESET}$, and $\overline{HIBRESET}$. See the Reset Signals table in the System Control chapter of the [TMS320F2807x Piccolo Microcontrollers Technical Reference Manual](#).

The parameter $t_{h(\text{boot-mode})}$ must account for a reset initiated from any of these sources.

CAUTION

Some reset sources are internally driven by the device. Some of these sources will drive \overline{XRS} low. Use this to disable any other devices driving the boot pins. The $\overline{SCCRESET}$ and debugger reset sources do not drive \overline{XRS} ; therefore, the pins used for boot mode should not be actively driven by other devices in the system. The boot configuration has a provision for changing the boot pins in OTP; for more details, see the [TMS320F2807x Piccolo Microcontrollers Technical Reference Manual](#).

5.7.2.2 Reset Electrical Data and Timing

[Table 5-4](#) shows the reset (\overline{XRS}) timing requirements. [Table 5-5](#) shows the reset (\overline{XRS}) switching characteristics. [Figure 5-5](#) shows the power-on reset. [Figure 5-6](#) shows the warm reset.

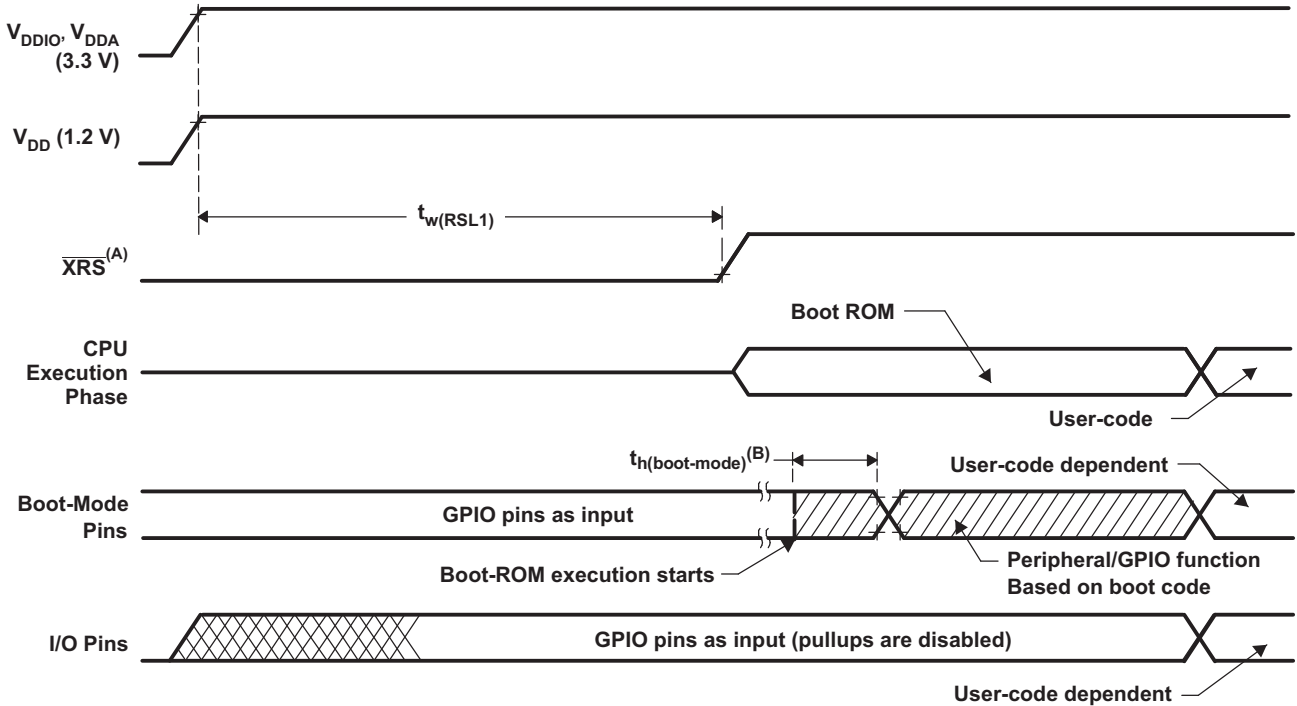
Table 5-4. Reset (\overline{XRS}) Timing Requirements

		MIN	MAX	UNIT
$t_{h(\text{boot-mode})}$	Hold time for boot-mode pins	1.5		ms
$t_{w(\text{RSL2})}$	Pulse duration, \overline{XRS} low on warm reset	3.2		μs

Table 5-5. Reset (\overline{XRS}) Switching Characteristics

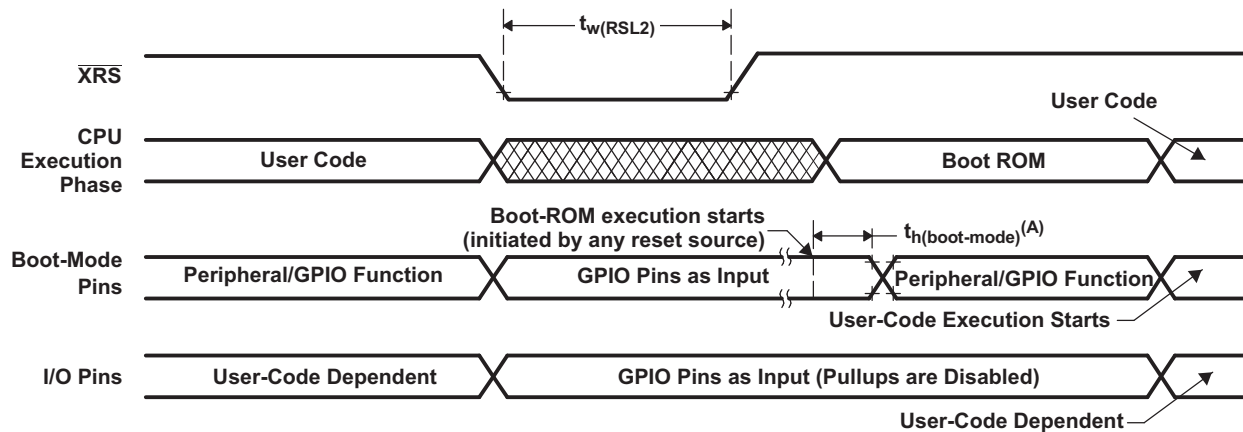
over recommended operating conditions (unless otherwise noted)

PARAMETER		MIN	TYP	MAX	UNIT
$t_{w(\text{RSL1})}$	Pulse duration, \overline{XRS} driven low by device after supplies are stable		100		μs
$t_{w(\text{WDRS})}$	Pulse duration, reset pulse generated by watchdog		$512t_{c(\text{OSCCCLK})}$		cycles



- A. The $\overline{\text{XRS}}$ pin can be driven externally by a supervisor or an external pullup resistor, see [Table 4-1](#). On-chip POR logic will hold this pin low until the supplies are in a valid range.
- B. After reset from any source (see [Section 5.7.2.1](#)), the boot ROM code samples Boot Mode pins. Based on the status of the Boot Mode pin, the boot code branches to destination memory or boot code function. If boot ROM code executes after power-on conditions (in debugger environment), the boot code execution time is based on the current SYSCLK speed. The SYSCLK will be based on user environment and could be with or without PLL enabled.

Figure 5-5. Power-on Reset



- A. After reset from any source (see [Section 5.7.2.1](#)), the Boot ROM code samples BOOT Mode pins. Based on the status of the Boot Mode pin, the boot code branches to destination memory or boot code function. If Boot ROM code executes after power-on conditions (in debugger environment), the Boot code execution time is based on the current SYSCLK speed. The SYSCLK will be based on user environment and could be with or without PLL enabled.

Figure 5-6. Warm Reset

5.7.3 Clock Specifications

5.7.3.1 Clock Sources

Table 5-6 lists four possible clock sources. Figure 5-7 provides an overview of the device's clocking system.

Table 5-6. Possible Reference Clock Sources

CLOCK SOURCE	MODULES CLOCKED	COMMENTS
INTOSC1	Can be used to provide clock for: <ul style="list-style-type: none"> • Watchdog block • CPU-Timer 2 	Internal oscillator 1. Zero-pin overhead 10-MHz internal oscillator.
INTOSC2 ⁽¹⁾	Can be used to provide clock for: <ul style="list-style-type: none"> • Main PLL • Auxiliary PLL • CPU-Timer 2 	Internal oscillator 2. Zero-pin overhead 10-MHz internal oscillator.
XTAL	Can be used to provide clock for: <ul style="list-style-type: none"> • Main PLL • Auxiliary PLL • CPU-Timer 2 	External crystal or resonator connected between the X1 and X2 pins or single-ended clock connected to the X1 pin.
AUXCLKIN	Can be used to provide clock for: <ul style="list-style-type: none"> • Auxiliary PLL • CPU-Timer 2 	Single-ended 3.3-V level clock source. GPIO133/AUXCLKIN pin should be used to provide the input clock.

(1) On reset, internal oscillator 2 (INTOSC2) is the default clock source for both system PLL (OSCCLK) and auxiliary PLL (AUXOSCCLK).

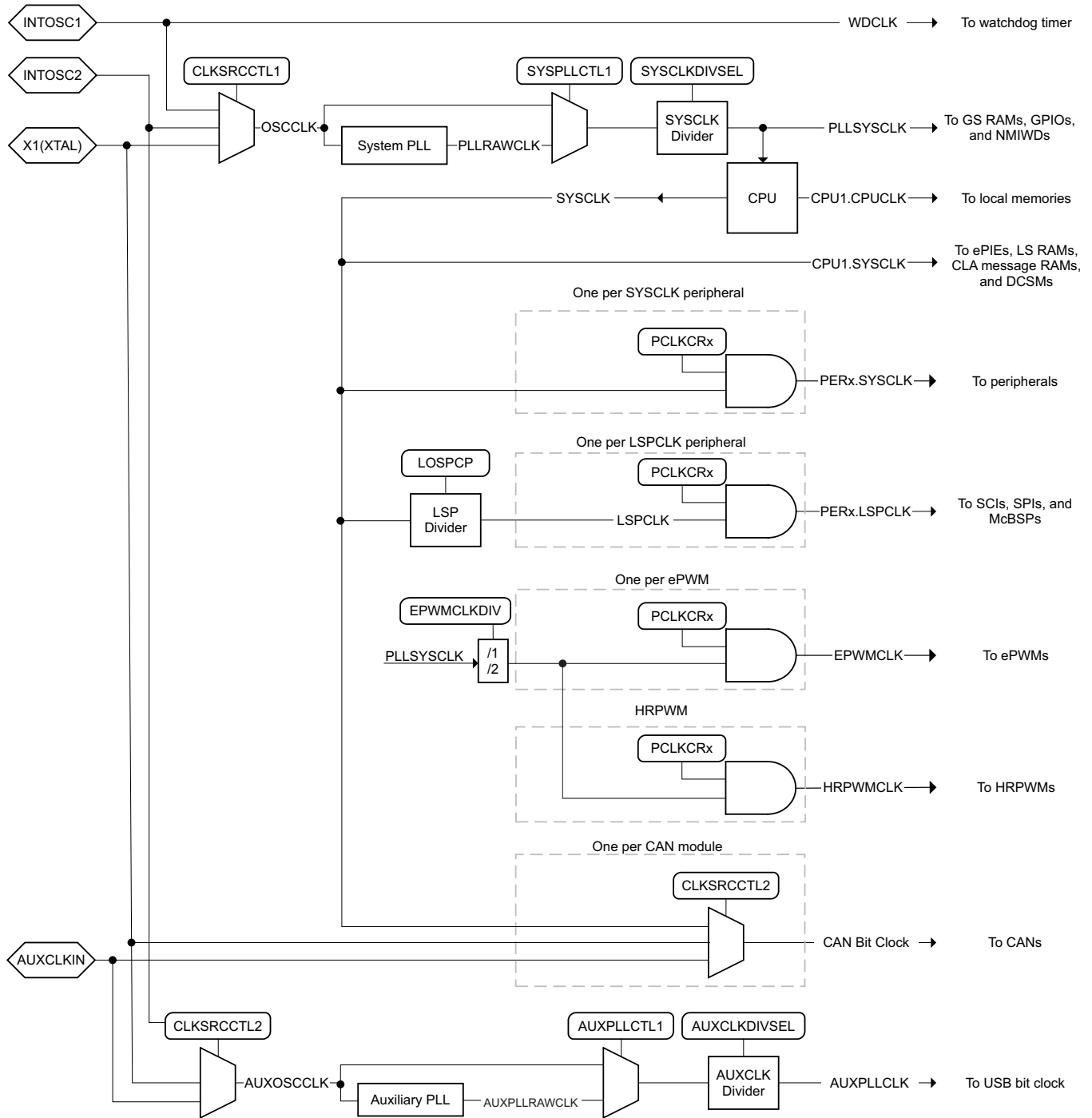


Figure 5-7. Clocking System

5.7.3.2 Clock Frequencies, Requirements, and Characteristics

This section provides the frequencies and timing requirements of the input clocks, PLL lock times, frequencies of the internal clocks, and the frequency and switching characteristics of the output clock.

5.7.3.2.1 Input Clock Frequency and Timing Requirements, PLL Lock Times

Table 5-7 shows the frequency requirements for the input clocks. Table 5-16 shows the crystal equivalent series resistance requirements. Table 5-8 shows the X1 input level characteristics when using an external clock source. Table 5-9 and Table 5-10 show the timing requirements for the input clocks. Table 5-11 shows the PLL lock times for the Main PLL and the USB PLL.

Table 5-7. Input Clock Frequency

		MIN	MAX	UNIT
$f_{(XTAL)}$	Frequency, X1/X2, from external crystal or resonator	10	20	MHz
$f_{(X1)}$	Frequency, X1, from external oscillator (PLL enabled)	2	20	MHz
	Frequency, X1, from external oscillator (PLL disabled)	2	100	MHz
$f_{(AUXI)}$	Frequency, AUXCLKIN, from external oscillator	2	60	MHz

Table 5-8. X1 Input Level Characteristics When Using an External Clock Source (Not a Crystal)

over recommended operating conditions (unless otherwise noted)

PARAMETER		MIN	MAX	UNIT
X1 V_{IL}	Valid low-level input voltage	-0.3	$0.3 * V_{DDIO}$	V
X1 V_{IH}	Valid high-level input voltage	$0.7 * V_{DDIO}$	$V_{DDIO} + 0.3$	V

Table 5-9. X1 Timing Requirements

		MIN	MAX	UNIT
$t_{f(X1)}$	Fall time, X1		6	ns
$t_{r(X1)}$	Rise time, X1		6	ns
$t_{w(X1L)}$	Pulse duration, X1 low as a percentage of $t_{c(X1)}$	45%	55%	
$t_{w(X1H)}$	Pulse duration, X1 high as a percentage of $t_{c(X1)}$	45%	55%	

Table 5-10. AUXCLKIN Timing Requirements

		MIN	MAX	UNIT
$t_{f(AUXI)}$	Fall time, AUXCLKIN		6	ns
$t_{r(AUXI)}$	Rise time, AUXCLKIN		6	ns
$t_{w(AUXL)}$	Pulse duration, AUXCLKIN low as a percentage of $t_{c(XCI)}$	45%	55%	
$t_{w(AUXH)}$	Pulse duration, AUXCLKIN high as a percentage of $t_{c(XCI)}$	45%	55%	

Table 5-11. PLL Lock Times

		MIN	NOM	MAX	UNIT
$t_{(PLL)}$	Lock time, Main PLL (X1, from external oscillator)		$50 \mu s + 2500 * t_{c(OSCCLK)}^{(1)}$		μs
$t_{(USB)}$	Lock time, USB PLL (AUXCLKIN, from external oscillator)		$50 \mu s + 2500 * t_{c(OSCCLK)}^{(1)}$		μs

(1) The PLL lock time here includes the two required PLL lock sequences. Cycle count includes code execution of the PLL initialization routine, which could vary depending on compiler optimizations and flash wait states.

5.7.3.2.2 Internal Clock Frequencies

Table 5-12 provides the clock frequencies for the internal clocks.

Table 5-12. Internal Clock Frequencies

		MIN	NOM	MAX	UNIT
f_{SYSCLK}	Frequency, device (system) clock	2		120	MHz
$t_{\text{c(SYSCLK)}}$	Period, device (system) clock	8.33		500	ns
$f_{\text{PLLRAWCLK}}$	Frequency, system PLL output (before SYSCLK divider)	120		400	MHz
$f_{\text{AUXPLLRAWCLK}}$	Frequency, auxiliary PLL output (before AUXCLK divider)	120		400	MHz
f_{AUXPLL}	Frequency, AUXPLLCLK	60		60	MHz
f_{PLL}	Frequency, PLLSYSCLK	2		120	MHz
f_{LSP}	Frequency, LSPCLK ⁽¹⁾	2		120	MHz
$t_{\text{c(LSPCLK)}}$	Period, LSPCLK	8.33		500	ns
f_{OSCCLK}	Frequency, OSCCLK (INTOSC1 or INTOSC2 or XTAL or X1)	See respective clock			MHz
f_{EPWM}	Frequency, EPWMCLK ⁽²⁾			100	MHz
f_{HRPWM}	Frequency, HRPWMCLK	60		100	MHz

(1) Lower LSPCLK will reduce device power consumption. The default at reset is SYSCLK/4.

(2) For SYSCLK above 100 MHz, the EPWMCLK must be half of SYSCLK.

5.7.3.2.3 Output Clock Frequency and Switching Characteristics

Table 5-13 provides the frequency of the output clock. Table 5-14 shows the switching characteristics of the output clock, XCLKOUT.

Table 5-13. Output Clock Frequency

		MIN	MAX	UNIT
f_{XCO}	Frequency, XCLKOUT		50	MHz

Table 5-14. XCLKOUT Switching Characteristics (PLL Bypassed or Enabled)⁽¹⁾⁽²⁾

over recommended operating conditions (unless otherwise noted)

PARAMETER	MIN	MAX	UNIT	
$t_{\text{f(XCO)}}$	Fall time, XCLKOUT	5	ns	
$t_{\text{r(XCO)}}$	Rise time, XCLKOUT	5	ns	
$t_{\text{w(XCOL)}}$	Pulse duration, XCLKOUT low	H – 2	H + 2	ns
$t_{\text{w(XCOH)}}$	Pulse duration, XCLKOUT high	H – 2	H + 2	ns

(1) A load of 40 pF is assumed for these parameters.

(2) $H = 0.5t_{\text{c(XCO)}}$

5.7.3.3 Input Clocks and PLLs

In addition to the internal 0-pin oscillators, multiple external clock source options are available. Figure 5-8 shows the recommended methods of connecting crystals, resonators, and oscillators to pins X1/X2 (also referred to as XTAL) and AUXCLKIN.

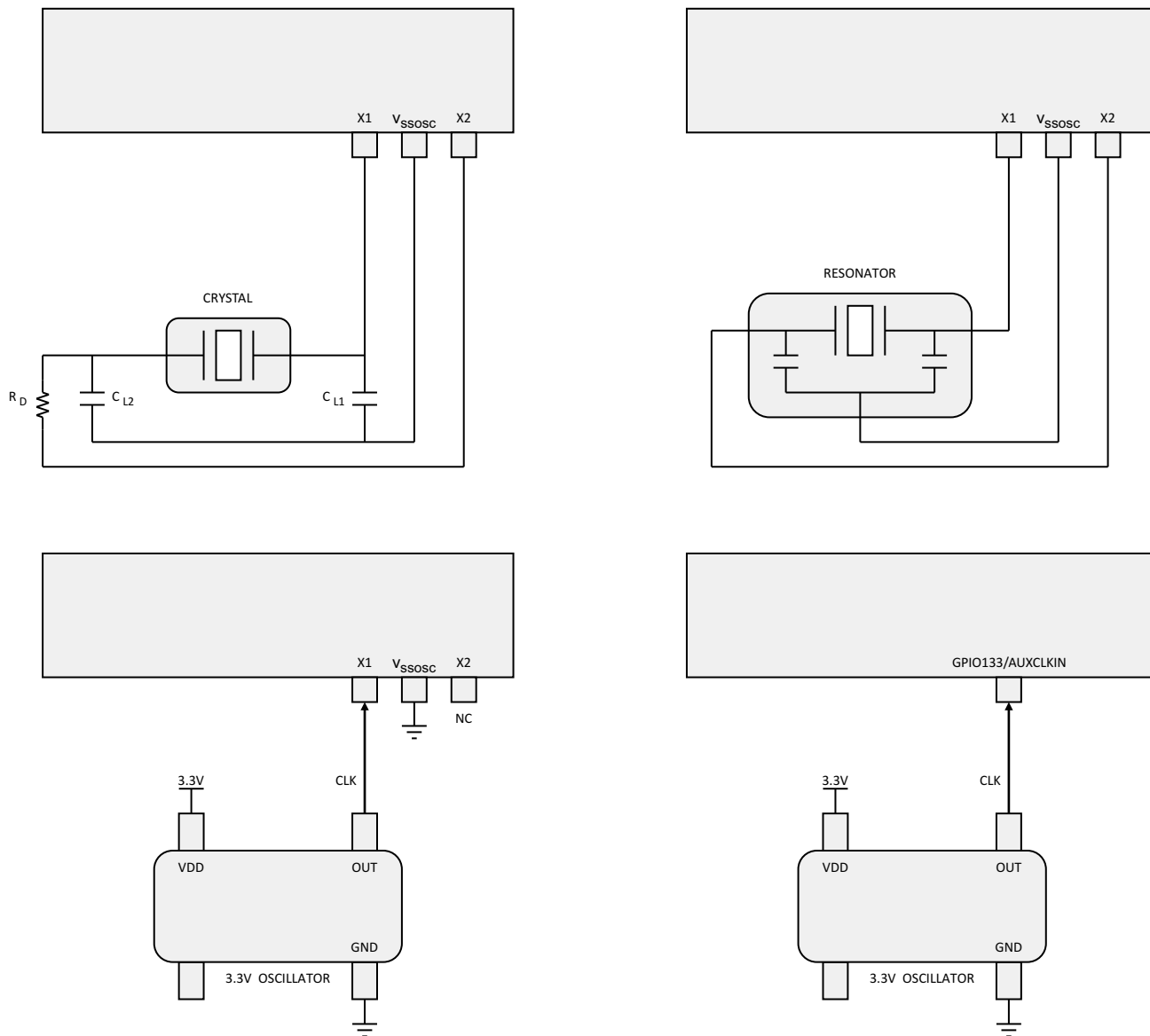


Figure 5-8. Connecting Input Clocks to a 2807x Device

5.7.3.4 Crystal Oscillator

When using a quartz crystal, it may be necessary to include a damping resistor (R_D) in the crystal circuit to prevent over-driving the crystal (drive level can be found in the crystal data sheet). In higher-frequency applications (10 MHz or greater), R_D is generally not required. If a damping resistor is required, R_D should be as small as possible because the size of the resistance affects start-up time (smaller R_D = faster start-up time). TI recommends that the crystal manufacturer characterize the crystal with the application board. [Table 5-15](#) shows the crystal oscillator parameters. [Table 5-16](#) shows the crystal equivalent series resistance (ESR) requirements. [Table 5-17](#) shows the crystal oscillator electrical characteristics.

Table 5-15. Crystal Oscillator Parameters

		MIN	MAX	UNIT
CL1, CL2	Load capacitance	12	24	pF
C0	Crystal shunt capacitance		7	pF

Table 5-16. Crystal Equivalent Series Resistance (ESR) Requirements⁽¹⁾⁽²⁾

CRYSTAL FREQUENCY (MHz)	MAXIMUM ESR (Ω) (CL1 = CL2 = 12 pF)	MAXIMUM ESR (Ω) (CL1 = CL2 = 24 pF)
10	55	110
12	50	95
14	50	90
16	45	75
18	45	65
20	45	50

(1) Crystal shunt capacitance (C0) should be less than or equal to 7 pF.

(2) ESR = Negative Resistance/3

Table 5-17. Crystal Oscillator Electrical Characteristics

over recommended operating conditions (unless otherwise noted)

PARAMETER	TEST CONDITIONS	MIN	TYP	MAX	UNIT
Start-up time ⁽¹⁾	f = 20 MHz ESR MAX = 50 Ω CL1 = CL2 = 24 pF C0 = 7 pF		2		ms
Crystal drive level (DL)				1	mW

(1) Start-up time is dependent on the crystal and tank circuit components. TI recommends that the crystal vendor characterize the application with the chosen crystal.

5.7.3.5 Internal Oscillators

To reduce production board costs and application development time, all F2807x devices contain two independent internal oscillators, referred to as INTOSC1 and INTOSC2. By default, both oscillators are enabled at power up. INTOSC2 is set as the source for the system reference clock (OSCCLK) and INTOSC1 is set as the backup clock source. INTOSC1 can also be manually configured as the system reference clock (OSCCLK). [Table 5-18](#) provides the electrical characteristics of the internal oscillators to determine if this module meets the clocking requirements of the application.

[Table 5-18](#) provides the electrical characteristics of the two internal oscillators.

Table 5-18. Internal Oscillator Electrical Characteristics

over recommended operating conditions (unless otherwise noted)

PARAMETER		TEST CONDITIONS	MIN	TYP	MAX	UNIT
$f_{(INTOSC)}$	Frequency, INTOSC1 and INTOSC2		9.7		10.3	MHz
	Frequency stability at room temperature	30°C		±0.1%		
t_{OSCST}	Start-up and settling time				22	µs

5.7.4 Flash Parameters

The on-chip flash memory is tightly integrated to the CPU, allowing code execution directly from flash through 128-bit-wide prefetch reads and a pipeline buffer. Flash performance for sequential code is equal to execution from RAM. Factoring in discontinuities, most applications will run with an efficiency of approximately 80% relative to code executing from RAM.

This device also has an OTP (One-Time-Programmable) sector used for the dual code security module (DCSM), which cannot be erased after it is programmed.

Table 5-19 shows the minimum required flash wait states at different frequencies. Table 5-20 shows the flash parameters at 120 MHz. Table 5-21 shows the flash/OTP endurance. Table 5-22 shows the flash data retention duration.

Table 5-19. Flash Wait States

CPUCLK (MHz)		MINIMUM WAIT STATES ⁽¹⁾
EXTERNAL OSCILLATOR OR CRYSTAL	INTOSC1 OR INTOSC2	
100 < CPUCLK ≤ 120	97 < CPUCLK ≤ 120	2
50 < CPUCLK ≤ 100	48 < CPUCLK ≤ 97	1
CPUCLK ≤ 50	CPUCLK ≤ 48	0

(1) Minimum required FRDCTRL[RWAIT].

Table 5-20. Flash Parameters at 120 MHz⁽¹⁾

PARAMETER		MIN	TYP	MAX	UNIT
Program Time ⁽²⁾	128 data bits + 16 ECC bits		40	300	μs
	8KW sector		100	200	ms
	32KW sector		400	800	ms
Erase Time ⁽³⁾ at < 25 cycles	8KW sector		35	60	ms
	32KW sector		40	65	
Erase Time ⁽³⁾ at 50k cycles	8KW sector		110	4000	ms
	32KW sector		120	4000	

- (1) The on-chip flash memory is in an erased state when the device is shipped from TI. As such, erasing the flash memory is not required before programming, when programming the device for the first time. However, the erase operation is needed on all subsequent programming operations.
- (2) Program time includes overhead of the flash state machine but does not include the time to transfer the following into RAM:
- Code that uses flash API to program the flash
 - Flash API itself
 - Flash data to be programmed
- In other words, the time indicated in this table is applicable after all the required code/data is available in the device RAM, ready for programming. The transfer time will significantly vary depending on the speed of the emulator used. Program time calculation is based on programming 144 bits at a time at the specified operating frequency. Program time includes Program verify by the CPU. The program time does not degrade with write/erase (W/E) cycling, but the erase time does. Erase time includes Erase verify by the CPU and does not involve any data transfer.
- (3) Erase time includes Erase verify by the CPU.

Table 5-21. Flash/OTP Endurance

		MIN	TYP	MAX	UNIT
N_f	Flash endurance for the array (write/erase cycles)	20000	50000		cycles

Table 5-22. Flash Data Retention Duration

PARAMETER		TEST CONDITIONS	MIN	MAX	UNIT
$t_{\text{retention}}$	Data retention duration	$T_J = 85^\circ\text{C}$	20		years

5.7.5 Emulation/JTAG

The JTAG port has five dedicated pins: $\overline{\text{TRST}}$, TMS, TDI, TDO, and TCK. The $\overline{\text{TRST}}$ signal should always be pulled down through a 2.2-k Ω pull-down resistor on the board. This MCU does not support the EMU0 and EMU1 signals that are present on 14-pin and 20-pin emulation headers. These signals should always be pulled up at the emulation header through a pair of board pullup resistors ranging from 2.2 k Ω to 4.7 k Ω (depending on the drive strength of the debugger ports). Typically, a 2.2-k Ω value is used.

See [Figure 5-9](#) to see how the 14-pin JTAG header connects to the MCU's JTAG port signals. [Figure 5-10](#) shows how to connect to the 20-pin header. The 20-pin JTAG header terminals EMU2, EMU3, and EMU4 are not used and should be grounded.

The PD (Power Detect) terminal of the emulator header should be connected to the board 3.3-V supply. Header GND terminals should be connected to board ground. TDIS (Cable Disconnect Sense) should also be connected to board ground. The JTAG clock should be looped from the header TCK output terminal back to the RTCK input terminal of the header (to sense clock continuity by the emulator). Header terminal $\overline{\text{RESET}}$ is an open-drain output from the emulator header that enables board components to be reset through emulator commands (available only through the 20-pin header).

Typically, no buffers are needed on the JTAG signals when the distance between the MCU target and the JTAG header is smaller than 6 inches (15.24 cm), and no other devices are present on the JTAG chain. Otherwise, each signal should be buffered. Additionally, for most emulator operations at 10 MHz, no series resistors are needed on the JTAG signals. However, if high emulation speeds are expected (35 MHz or so), 22- Ω resistors should be placed in series on each JTAG signal.

See the [XDS Target Connection Guide](#) for more information about JTAG emulation.

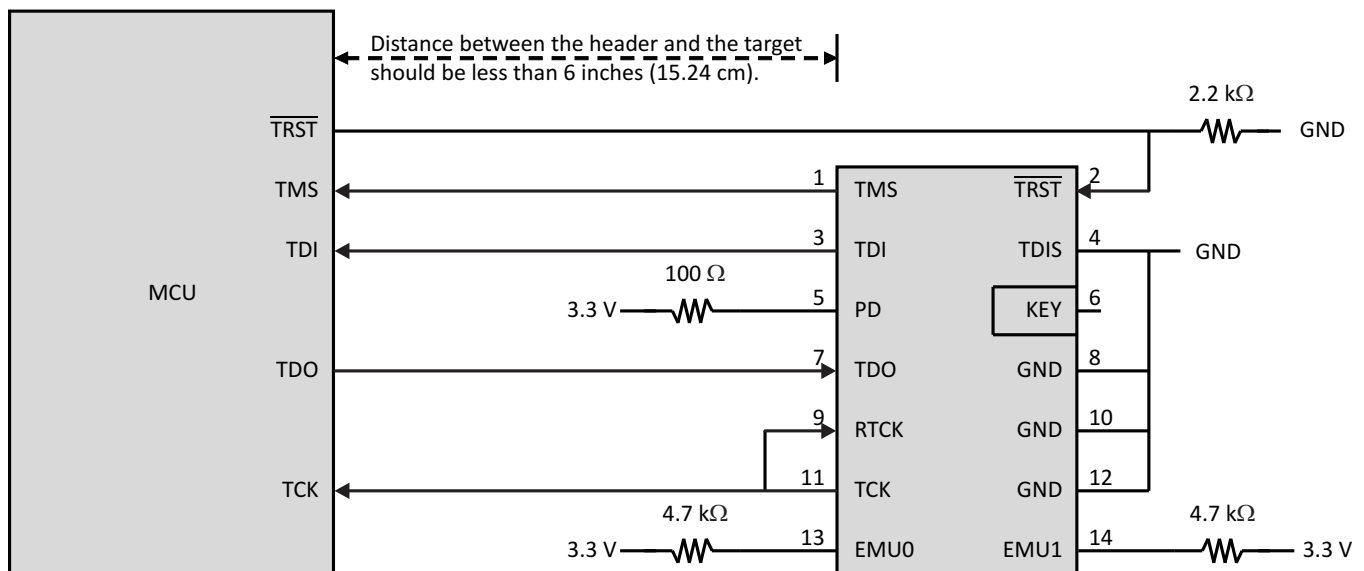


Figure 5-9. Connecting to the 14-Pin JTAG Header

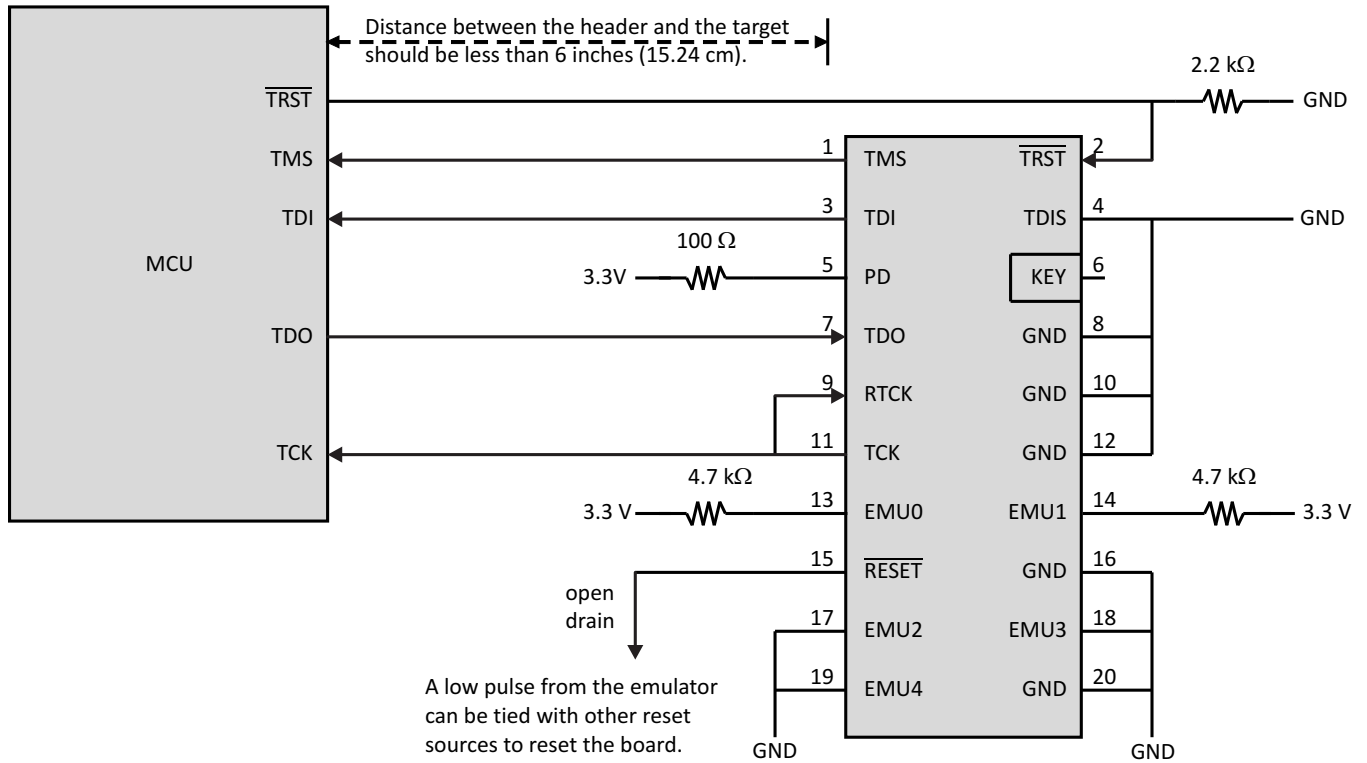


Figure 5-10. Connecting to the 20-Pin JTAG Header

5.7.5.1 JTAG Electrical Data and Timing

Table 5-23 lists the JTAG timing requirements. Table 5-24 lists the JTAG switching characteristics. Figure 5-11 shows the JTAG timing.

Table 5-23. JTAG Timing Requirements

NO.			MIN	MAX	UNIT
1	$t_c(\text{TCK})$	Cycle time, TCK	66.66		ns
1a	$t_w(\text{TCKH})$	Pulse duration, TCK high (40% of t_c)	26.66		ns
1b	$t_w(\text{TCKL})$	Pulse duration, TCK low (40% of t_c)	26.66		ns
3	$t_{su}(\text{TDI-TCKH})$	Input setup time, TDI valid to TCK high	13		ns
	$t_{su}(\text{TMS-TCKH})$	Input setup time, TMS valid to TCK high	13		ns
4	$t_h(\text{TCKH-TDI})$	Input hold time, TDI valid from TCK high	7		ns
	$t_h(\text{TCKH-TMS})$	Input hold time, TMS valid from TCK high	7		ns

Table 5-24. JTAG Switching Characteristics

over recommended operating conditions (unless otherwise noted)

NO.	PARAMETER	MIN	MAX	UNIT
2	$t_d(\text{TCKL-TDO})$	6	25	ns

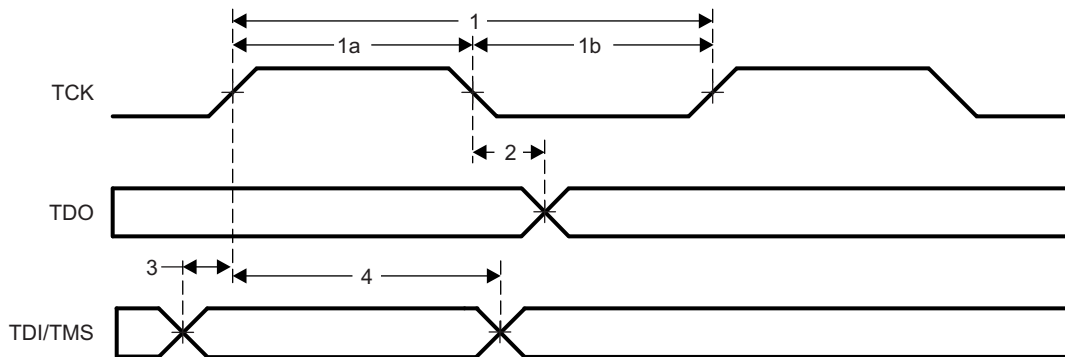


Figure 5-11. JTAG Timing

5.7.6 GPIO Electrical Data and Timing

The peripheral signals are multiplexed with general-purpose input/output (GPIO) signals. On reset, GPIO pins are configured as inputs. For specific inputs, the user can also select the number of input qualification cycles to filter unwanted noise glitches.

The GPIO module contains an Output X-BAR which allows an assortment of internal signals to be routed to a GPIO in the GPIO mux positions denoted as OUTPUTXBARx. The GPIO module also contains an Input X-BAR which is used to route signals from any GPIO input to different IP blocks such as the ADC(s), eCAP(s), ePWM(s), and external interrupts. For more details, see the X-BAR chapter in the [TMS320F2807x Piccolo Microcontrollers Technical Reference Manual](#).

5.7.6.1 GPIO - Output Timing

Table 5-25 shows the general-purpose output switching characteristics. Figure 5-12 shows the general-purpose output timing.

Table 5-25. General-Purpose Output Switching Characteristics

over recommended operating conditions (unless otherwise noted)

PARAMETER			MIN	MAX	UNIT
$t_{r(GPO)}$	Rise time, GPIO switching low to high	All GPIOs		8 ⁽¹⁾	ns
$t_{f(GPO)}$	Fall time, GPIO switching high to low	All GPIOs		8 ⁽¹⁾	ns
t_{GPO}	Toggle frequency, GPO pins			25	MHz

(1) Rise time and fall time vary with load. These values assume a 40-pF load.

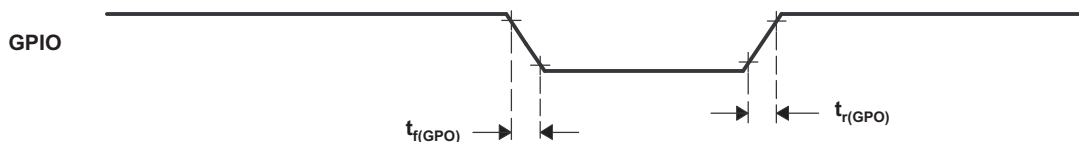


Figure 5-12. General-Purpose Output Timing

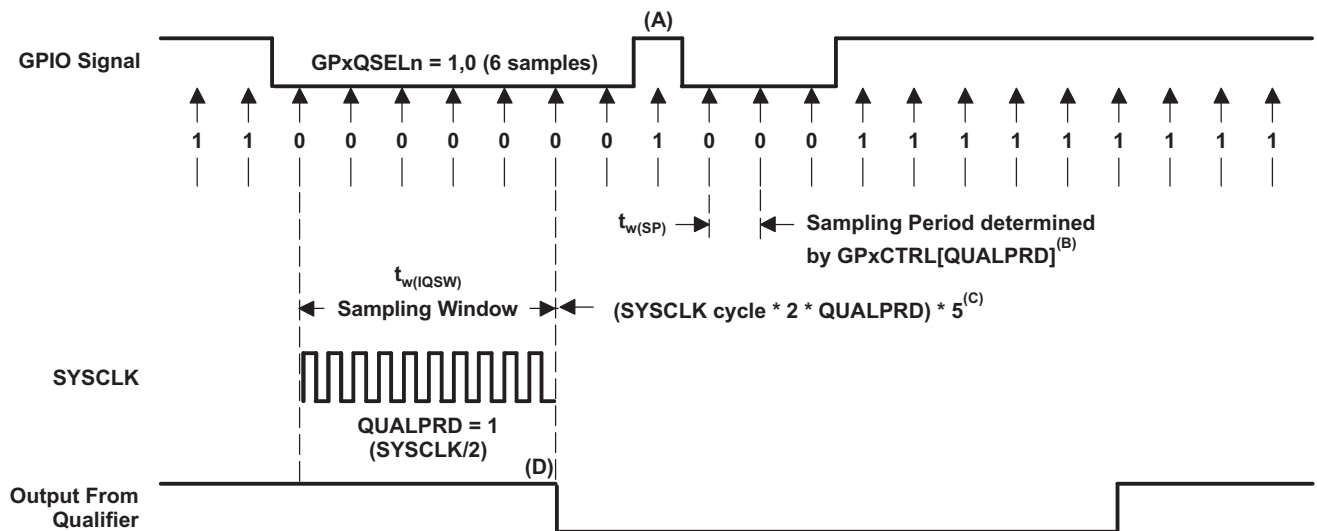
5.7.6.2 GPIO - Input Timing

Table 5-26 shows the general-purpose input timing requirements. Figure 5-13 shows the sampling mode.

Table 5-26. General-Purpose Input Timing Requirements

			MIN	MAX	UNIT
$t_{w(SP)}$	Sampling period	QUALPRD = 0	$1t_{c(SYCLK)}$		cycles
		QUALPRD \neq 0	$2t_{c(SYCLK)} * QUALPRD$		cycles
$t_{w(IQSW)}$	Input qualifier sampling window		$t_{w(SP)} * (n^{(1)} - 1)$		cycles
$t_{w(GPI)}^{(2)}$	Pulse duration, GPIO low/high	Synchronous mode	$2t_{c(SYCLK)}$		cycles
		With input qualifier	$t_{w(IQSW)} + t_{w(SP)} + 1t_{c(SYCLK)}$		cycles

- (1) "n" represents the number of qualification samples as defined by GPxQSELn register.
- (2) For $t_{w(GPI)}$, pulse width is measured from V_{IL} to V_{IL} for an active low signal and V_{IH} to V_{IH} for an active high signal.



- A. This glitch will be ignored by the input qualifier. The QUALPRD bit field specifies the qualification sampling period. It can vary from 00 to 0xFF. If QUALPRD = 00, then the sampling period is 1 SYCLK cycle. For any other value "n", the qualification sampling period is 2n SYCLK cycles (that is, at every 2n SYCLK cycles, the GPIO pin will be sampled).
- B. The qualification period selected through the GPxCTRL register applies to groups of 8 GPIO pins.
- C. The qualification block can take either three or six samples. The GPxQSELn Register selects which sample mode is used.
- D. In the example shown, for the qualifier to detect the change, the input should be stable for 10 SYCLK cycles or greater. In other words, the inputs should be stable for (5 x QUALPRD x 2) SYCLK cycles. This would ensure 5 sampling periods for detection to occur. Because external signals are driven asynchronously, a 13-SYCLK-wide pulse ensures reliable recognition.

Figure 5-13. Sampling Mode

5.7.6.3 Sampling Window Width for Input Signals

The following section summarizes the sampling window width for input signals for various input qualifier configurations.

Sampling frequency denotes how often a signal is sampled with respect to SYSCLK.

Sampling frequency = $\text{SYSCLK} / (2 \times \text{QUALPRD})$, if $\text{QUALPRD} \neq 0$

Sampling frequency = SYSCLK , if $\text{QUALPRD} = 0$

Sampling period = $\text{SYSCLK cycle} \times 2 \times \text{QUALPRD}$, if $\text{QUALPRD} \neq 0$

In the above equations, SYSCLK cycle indicates the time period of SYSCLK.

Sampling period = SYSCLK cycle , if $\text{QUALPRD} = 0$

In a given sampling window, either 3 or 6 samples of the input signal are taken to determine the validity of the signal. This is determined by the value written to GPxQSELn register.

Case 1:

Qualification using 3 samples

Sampling window width = $(\text{SYSCLK cycle} \times 2 \times \text{QUALPRD}) \times 2$, if $\text{QUALPRD} \neq 0$

Sampling window width = $(\text{SYSCLK cycle}) \times 2$, if $\text{QUALPRD} = 0$

Case 2:

Qualification using 6 samples

Sampling window width = $(\text{SYSCLK cycle} \times 2 \times \text{QUALPRD}) \times 5$, if $\text{QUALPRD} \neq 0$

Sampling window width = $(\text{SYSCLK cycle}) \times 5$, if $\text{QUALPRD} = 0$

Figure 5-14 shows the general-purpose input timing.

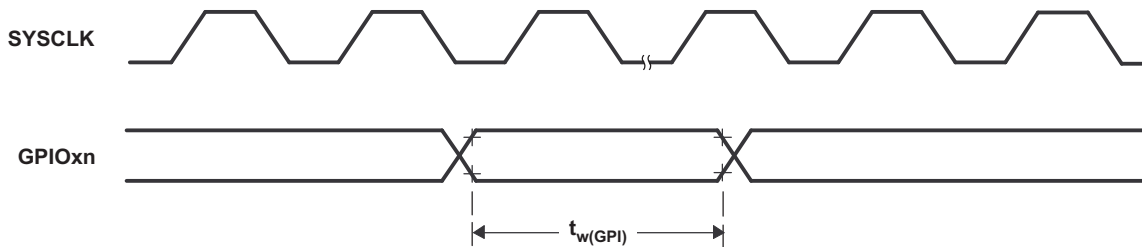


Figure 5-14. General-Purpose Input Timing

5.7.7 Interrupts

Figure 5-15 provides a high-level view of the interrupt architecture.

As shown in Figure 5-15, the devices support five external interrupts (XINT1 to XINT5) that can be mapped onto any of the GPIO pins.

In this device, 16 ePIE block interrupts are grouped into 1 CPU interrupt. In total, there are 12 CPU interrupt groups, with 16 interrupts per group.

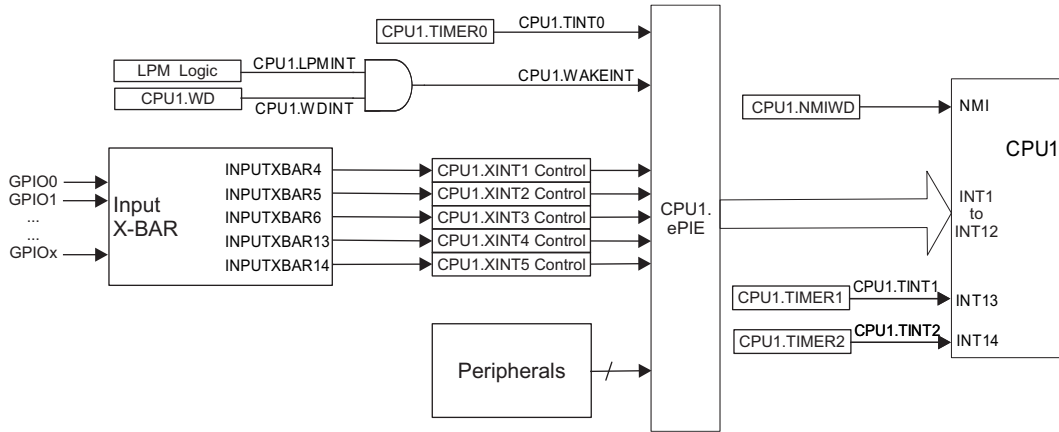


Figure 5-15. External and ePIE Interrupt Sources

5.7.7.1 External Interrupt (XINT) Electrical Data and Timing

Table 5-27 lists the external interrupt timing requirements. Table 5-28 lists the external interrupt switching characteristics. Figure 5-16 shows the external interrupt timing.

Table 5-27. External Interrupt Timing Requirements⁽¹⁾

		MIN	MAX	UNIT
$t_{w(INT)}$	Pulse duration, INT input low/high	Synchronous	$2t_{c(SYSCCLK)}$	cycles
		With qualifier	$t_{w(IQSW)} + t_{w(SP)} + 1t_{c(SYSCCLK)}$	cycles

(1) For an explanation of the input qualifier parameters, see Table 5-26.

Table 5-28. External Interrupt Switching Characteristics⁽¹⁾

over recommended operating conditions (unless otherwise noted)

PARAMETER	MIN	MAX	UNIT
$t_{d(INT)}$ Delay time, INT low/high to interrupt-vector fetch ⁽²⁾	$t_{w(IQSW)} + 14t_{c(SYSCCLK)}$	$t_{w(IQSW)} + t_{w(SP)} + 14t_{c(SYSCCLK)}$	cycles

(1) For an explanation of the input qualifier parameters, see Table 5-26.

(2) This assumes that the ISR is in a single-cycle memory.

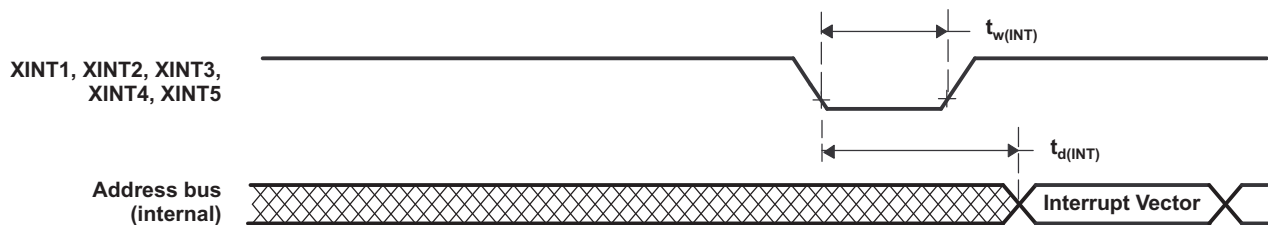


Figure 5-16. External Interrupt Timing

5.7.8 Low-Power Modes

This device has three clock-gating low-power modes and a special power-gating mode.

Further details, as well as the entry and exit procedure, for all of the low-power modes can be found in the Low Power Modes section of the [TMS320F2807x Piccolo Microcontrollers Technical Reference Manual](#).

5.7.8.1 Clock-Gating Low-Power Modes

IDLE, STANDBY, and HALT modes on this device are similar to those on other C28x devices. [Table 5-29](#) describes the effect on the system when any of the clock-gating low-power modes are entered.

Table 5-29. Effect of Clock-Gating Low-Power Modes on the Device

MODULES/ CLOCK DOMAIN	CPU1 IDLE	CPU1 STANDBY	HALT
CPU1.CLKIN	Active	Gated	Gated
CPU1.SYSCLK	Active	Gated	Gated
CPU1.CPUCLK	Gated	Gated	Gated
Clock to modules Connected to PERx.SYSCLK	Active	Gated	Gated
CPU1.WDCLK	Active	Active	Gated if CLKSRCCTL1.WDHALTI = 0
AUXPLLCLK	Active	Active	Gated
PLL	Powered	Powered	Software must power down PLL before entering HALT
INTOSC1	Powered	Powered	Powered down if CLKSRCCTL1.WDHALTI = 0
INTOSC2	Powered	Powered	Powered down if CLKSRCCTL1.WDHALTI = 0
Flash	Powered	Powered	Software-Controlled
X1/X2 Crystal Oscillator	Powered	Powered	Powered-Down

5.7.8.2 Power-Gating Low-Power Modes

HIBERNATE mode is the lowest power mode on this device. It is a global low-power mode that gates the supply voltages to most of the system. HIBERNATE is essentially a controlled power-down with remote wakeup capability, and can be used to save power during long periods of inactivity. [Table 5-30](#) describes the effects on the system when the HIBERNATE mode is entered.

Table 5-30. Effect of Power-Gating Low-Power Mode on the Device

MODULES/POWER DOMAINS	HIBERNATE
M0 and M1 memories	<ul style="list-style-type: none"> Remain on with memory retention if LPMCR.M0M1MODE = 0x00 Are off when LPMCR.M0M1MODE = 0x01
CPU1 digital peripherals	Powered down
Dx, LSx, GSx memories	Power down, memory contents are lost
IOs	On with output state preserved
Oscillators, PLL, analog peripherals, Flash	Enters Low-Power Mode

5.7.8.3 Low-Power Mode Wakeup Timing

Table 5-31 shows the IDLE mode timing requirements, Table 5-32 shows the switching characteristics, and Figure 5-17 shows the timing diagram for IDLE mode.

Table 5-31. IDLE Mode Timing Requirements⁽¹⁾

		MIN	MAX	UNIT
$t_{w(WAKE)}$	Pulse duration, external wake-up signal	Without input qualifier	$2t_{c(SYCLK)}$	cycles
		With input qualifier	$2t_{c(SYCLK)} + t_{w(IQSW)}$	

(1) For an explanation of the input qualifier parameters, see Table 5-26.

Table 5-32. IDLE Mode Switching Characteristics⁽¹⁾

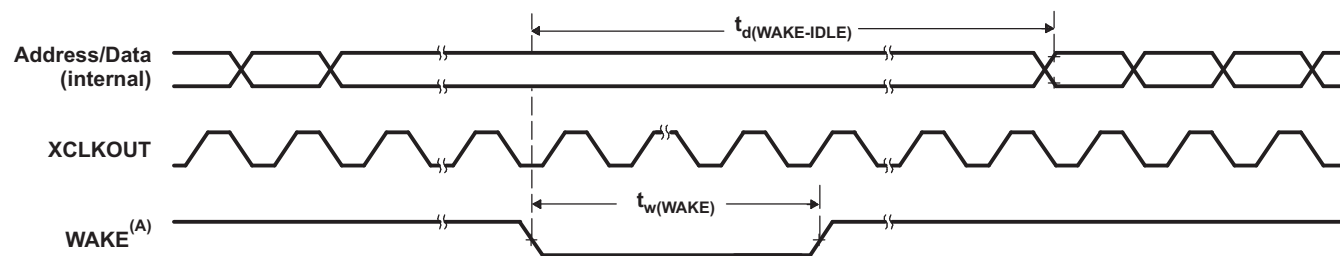
over recommended operating conditions (unless otherwise noted)

PARAMETER		TEST CONDITIONS	MIN	MAX	UNIT
$t_{d(WAKE-IDLE)}$	Delay time, external wake signal to program execution resume ⁽²⁾				cycles
	• Wakeup from Flash – Flash module in active state	Without input qualifier		$40t_{c(SYCLK)}$	
		With input qualifier		$40t_{c(SYCLK)} + t_{w(WAKE)}$	
	• Wakeup from Flash – Flash module in sleep state	Without input qualifier		$6700t_{c(SYCLK)}^{(3)}$	
		With input qualifier		$6700t_{c(SYCLK)}^{(3)} + t_{w(WAKE)}$	
	• Wakeup from RAM	Without input qualifier		$25t_{c(SYCLK)}$	
With input qualifier			$25t_{c(SYCLK)} + t_{w(WAKE)}$		

(1) For an explanation of the input qualifier parameters, see Table 5-26.

(2) This is the time taken to begin execution of the instruction that immediately follows the IDLE instruction. Execution of an ISR (triggered by the wake-up signal) involves additional latency.

(3) This value is based on the flash power-up time, which is a function of the SYCLK frequency, flash wait states (RWAIT), and FPAC1[PSLEEP]. For more information, see the Flash and OTP Power-Down Modes and Wakeup section of the *TMS320F28075x Piccolo Microcontrollers Technical Reference Manual*. This value can be realized when SYCLK is 120 MHz, RWAIT is 2, and FPAC1[PSLEEP] is 0x860.



A. WAKE can be any enabled interrupt, \overline{WDINT} or \overline{XRS} . After the IDLE instruction is executed, a delay of five OSCCLK cycles (minimum) is needed before the wake-up signal could be asserted.

Figure 5-17. IDLE Entry and Exit Timing Diagram

Table 5-33 shows the STANDBY mode timing requirements, Table 5-34 shows the switching characteristics, and Figure 5-18 shows the timing diagram for STANDBY mode.

Table 5-33. STANDBY Mode Timing Requirements

		MIN	MAX	UNIT
$t_{w(\text{WAKE-INT})}$	Pulse duration, external wake-up signal	QUALSTDBY = 0 $2t_{c(\text{OSCCLK})}$	$3t_{c(\text{OSCCLK})}$	cycles
		QUALSTDBY > 0 $(2 + \text{QUALSTDBY})t_{c(\text{OSCCLK})}^{(1)}$	$(2 + \text{QUALSTDBY}) * t_{c(\text{OSCCLK})}$	

(1) QUALSTDBY is a 6-bit field in the LPMCR register.

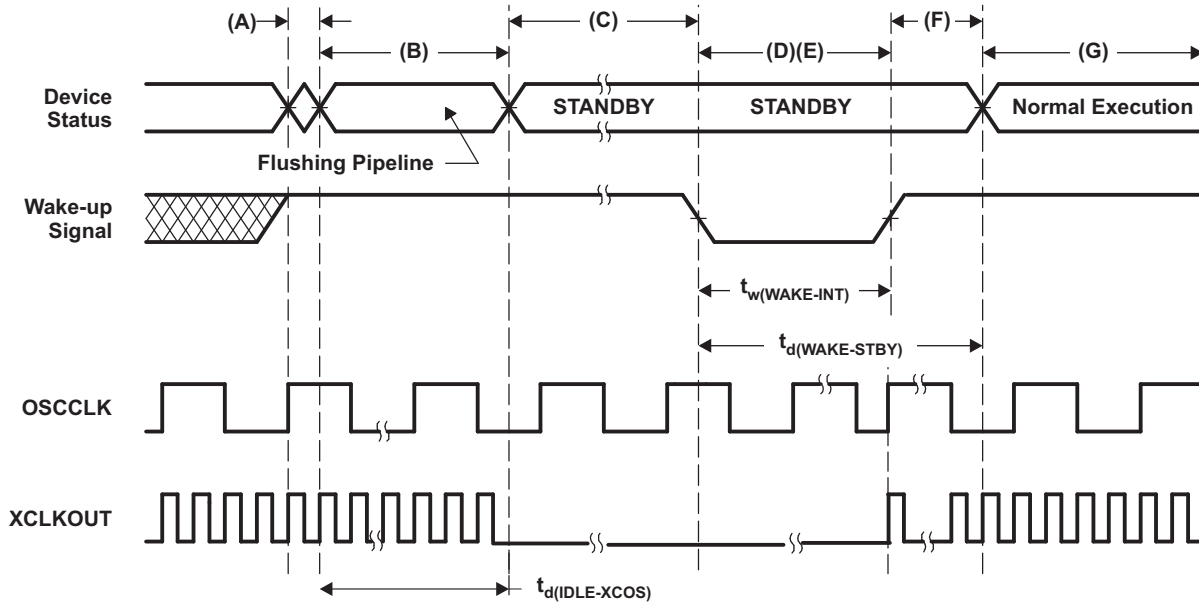
Table 5-34. STANDBY Mode Switching Characteristics

over recommended operating conditions (unless otherwise noted)

PARAMETER		TEST CONDITIONS	MIN	MAX	UNIT
$t_{d(\text{IDLE-XCOS})}$	Delay time, IDLE instruction executed to XCLKOUT stop			$16t_{c(\text{INTOSC1})}$	cycles
$t_{d(\text{WAKE-STBY})}$	Delay time, external wake signal to program execution resume ⁽¹⁾				cycles
	<ul style="list-style-type: none"> Wakeup from flash <ul style="list-style-type: none"> Flash module in active state 			$175t_{c(\text{SYSCLK})} + t_{w(\text{WAKE-INT})}$	
	<ul style="list-style-type: none"> Wakeup from flash <ul style="list-style-type: none"> Flash module in sleep state 			$6700t_{c(\text{SYSCLK})}^{(2)} + t_{w(\text{WAKE-INT})}$	
	<ul style="list-style-type: none"> Wakeup from RAM 			$3t_{c(\text{OSC})} + 15t_{c(\text{SYSCLK})} + t_{w(\text{WAKE-INT})}$	

(1) This is the time taken to begin execution of the instruction that immediately follows the IDLE instruction. Execution of an ISR (triggered by the wake-up signal) involves additional latency.

(2) This value is based on the flash power-up time, which is a function of the SYSCLK frequency, flash wait states (RWAIT), and FPAC1[PSLEEP]. For more information, see the Flash and OTP Power-Down Modes and Wakeup section of the [TMS320F2807x Piccolo Microcontrollers Technical Reference Manual](#). This value can be realized when SYSCLK is 120 MHz, RWAIT is 2, and FPAC1[PSLEEP] is 0x860.



- A. IDLE instruction is executed to put the device into STANDBY mode.
- B. The LPM block responds to the STANDBY signal, SYSCCLK is held for a maximum 16 INTOSC1 clock cycles before being turned off. This delay enables the CPU pipeline and any other pending operations to flush properly.
- C. Clock to the peripherals are turned off. However, the PLL and watchdog are not shut down. The device is now in STANDBY mode. After the IDLE instruction is executed, a delay of five OSCCLK cycles (minimum) is needed before the wake-up signal could be asserted.
- D. The external wake-up signal is driven active.
- E. The wake-up signal fed to a GPIO pin to wake up the device must meet the minimum pulse width requirement. Furthermore, this signal must be free of glitches. If a noisy signal is fed to a GPIO pin, the wakeup behavior of the device will not be deterministic and the device may not exit low-power mode for subsequent wakeup pulses.
- F. After a latency period, the STANDBY mode is exited.
- G. Normal execution resumes. The device will respond to the interrupt (if enabled).

Figure 5-18. STANDBY Entry and Exit Timing Diagram

Table 5-35 shows the HALT mode timing requirements, Table 5-36 shows the switching characteristics, and Figure 5-19 shows the timing diagram for HALT mode.

Table 5-35. HALT Mode Timing Requirements

		MIN	MAX	UNIT
$t_{w(\text{WAKE-GPIO})}$	Pulse duration, GPIO wake-up signal ⁽¹⁾	$t_{\text{oscst}} + 2t_{c(\text{OSCCLK})}$		cycles
$t_{w(\text{WAKE-XRS})}$	Pulse duration, $\overline{\text{XRS}}$ wake-up signal ⁽¹⁾	$t_{\text{oscst}} + 8t_{c(\text{OSCCLK})}$		cycles

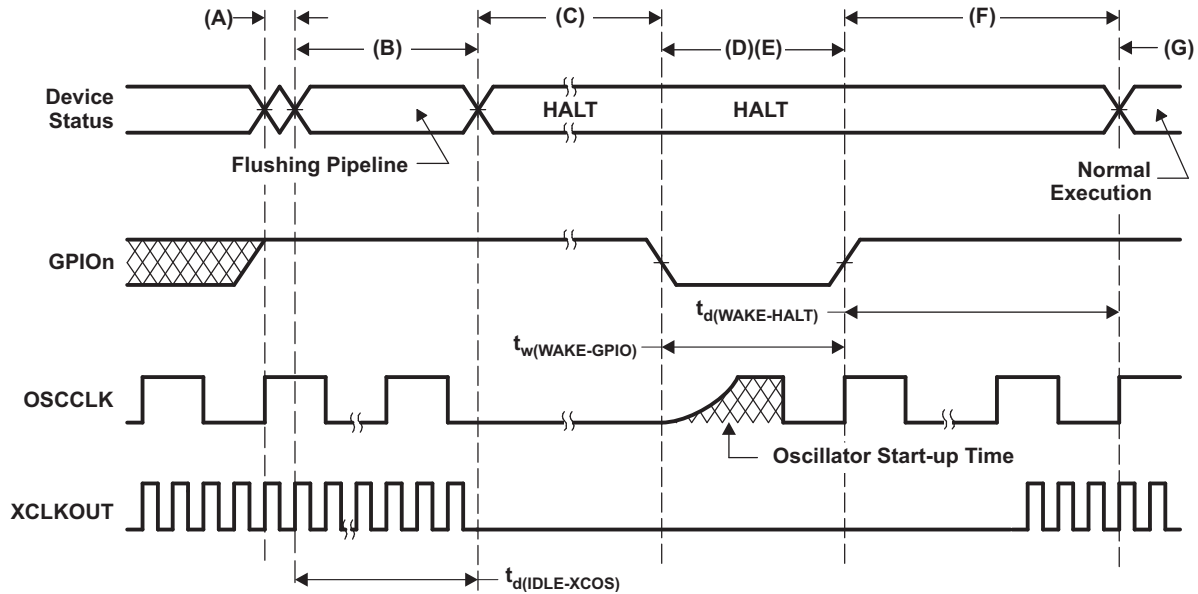
- (1) For applications using X1/X2 for OSCCLK, the user must characterize their specific oscillator start-up time as it is dependent on circuit/layout external to the device. See Table 5-17 for more information. For applications using INTOSC1 or INTOSC2 for OSCCLK, see Section 5.7.3.5 for t_{oscst} . Oscillator start-up time does not apply to applications using a single-ended crystal on the X1 pin, as it is powered externally to the device.

Table 5-36. HALT Mode Switching Characteristics

over recommended operating conditions (unless otherwise noted)

PARAMETER		MIN	MAX	UNIT
$t_{d(\text{IDLE-XCOS})}$	Delay time, IDLE instruction executed to XCLKOUT stop	$16t_{c(\text{INTOSC1})}$		cycles
$t_{d(\text{WAKE-HALT})}$	Delay time, external wake signal end to CPU1 program execution resume			cycles
	<ul style="list-style-type: none"> Wakeup from flash <ul style="list-style-type: none"> Flash module in active state 	$75t_{c(\text{OSCCLK})}$		
	<ul style="list-style-type: none"> Wakeup from flash <ul style="list-style-type: none"> Flash module in sleep state 	$17500t_{c(\text{OSCCLK})}$ ⁽¹⁾		
	<ul style="list-style-type: none"> Wakeup from RAM 	$75t_{c(\text{OSCCLK})}$		

- (1) This value is based on the flash power-up time, which is a function of the SYSCLK frequency, flash wait states (RWAIT), and FPAC1[PSLEEP]. For more information, see the Flash and OTP Power-Down Modes and Wakeup section of the [TMS320F2807x Piccolo Microcontrollers Technical Reference Manual](#). This value can be realized when SYSCLK is 120 MHz, RWAIT is 2, and FPAC1[PSLEEP] is 0x860.



- A. IDLE instruction is executed to put the device into HALT mode.
- B. The LPM block responds to the HALT signal, SYSCLK is held for a maximum 16 INTOSC1 clock cycles before being turned off. This delay enables the CPU pipeline and any other pending operations to flush properly.
- C. Clocks to the peripherals are turned off and the PLL is shut down. If a quartz crystal or ceramic resonator is used as the clock source, the internal oscillator is shut down as well. The device is now in HALT mode and consumes very little power. It is possible to keep the zero-pin internal oscillators (INTOSC1 and INTOSC2) and the watchdog alive in HALT MODE. This is done by writing a 1 to CLKSRCCTL1.WDHALTI. After the IDLE instruction is executed, a delay of five OSCCLK cycles (minimum) is needed before the wake-up signal could be asserted.
- D. When the GPIO pin (used to bring the device out of HALT) is driven low, the oscillator is turned on and the oscillator wakeup sequence is initiated. The GPIO pin should be driven high only after the oscillator has stabilized. This enables the provision of a clean clock signal during the PLL lock sequence. Because the falling edge of the GPIO pin asynchronously begins the wakeup procedure, care should be taken to maintain a low noise environment prior to entering and during HALT mode.
- E. The wake-up signal fed to a GPIO pin to wake up the device must meet the minimum pulse width requirement. Furthermore, this signal must be free of glitches. If a noisy signal is fed to a GPIO pin, the wakeup behavior of the device will not be deterministic and the device may not exit low-power mode for subsequent wakeup pulses.
- F. When CLKIN to the core is enabled, the device will respond to the interrupt (if enabled), after some latency. The HALT mode is now exited.
- G. Normal operation resumes.
- H. The user must relock the PLL upon HALT wakeup to ensure a stable PLL lock.

Figure 5-19. HALT Entry and Exit Timing Diagram

Table 5-37 shows the HIBERNATE mode timing requirements, Table 5-38 shows the switching characteristics, and Figure 5-20 shows the timing diagram for HIBERNATE mode.

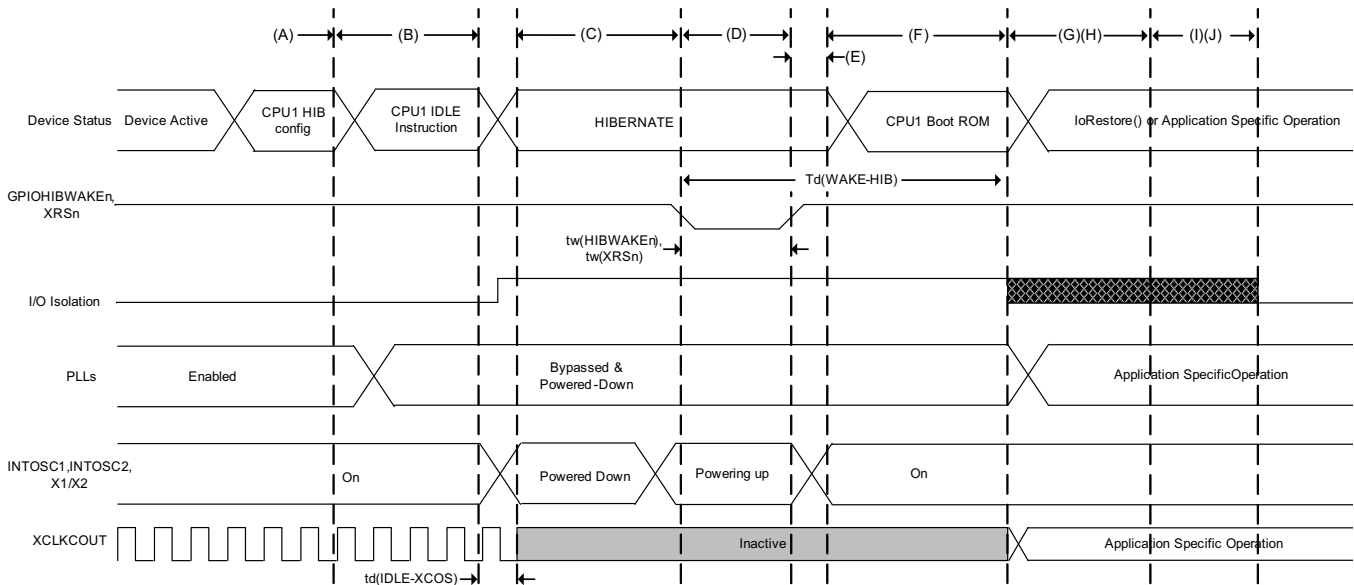
Table 5-37. HIBERNATE Mode Timing Requirements

		MIN	MAX	UNIT
$t_{w(\text{HIBWAKE})}$	Pulse duration, $\overline{\text{HIBWAKE}}$ signal	40		μs
$t_{w(\text{WAKEXRS})}$	Pulse duration, $\overline{\text{XRS}}$ wake-up signal	40		μs

Table 5-38. HIBERNATE Mode Switching Characteristics

over recommended operating conditions (unless otherwise noted)

PARAMETER		MIN	MAX	UNIT
$t_{d(\text{IDLE-XCOS})}$	Delay time, IDLE instruction executed to XCLKOUT stop		$30t_{c(\text{SYSCLK})}$	cycles
$t_{d(\text{WAKE-HIB})}$	Delay time, external wake signal to IORestore function start		1.5	ms



- A. CPU1 does necessary application-specific context save to M0/M1 memories if required. This includes GPIO state if using I/O Isolation. Configures the LPMCR register of CPU1 for HIBERNATE mode. Powers down Flash Pump/Bank, USB-PHY, CMPSS, DAC, and ADC using their register configurations. The application should also power down the PLL and peripheral clocks before entering HIBERNATE.
- B. IDLE instruction is executed to put the device into HIBERNATE mode.
- C. The device is now in HIBERNATE mode. If configured, I/O isolation is turned on, M0 and M1 memories are retained. CPU1 is powered down. Digital peripherals are powered down. The oscillators, PLLs, analog peripherals, and Flash are in their software-controlled Low-Power modes. Dx, LSx, and GSx memories are also powered down, and their memory contents lost.
- D. A falling edge on the GPIOHIBWAKE_n pin will drive the wakeup of the devices clock sources INTOSC1, INTOSC2, and X1/X2 OSC. The wakeup source must keep the GPIOHIBWAKE_n pin low long enough to ensure full power-up of these clock sources.
- E. After the clock sources are powered up, the GPIOHIBWAKE_n must be driven high to trigger the wakeup sequence of the remainder of the device.
- F. The BootROM will then begin to execute. The BootROM can distinguish a HIBERNATE wakeup by reading the CPU1.REC.HIBRESET_n bit. After the TI OTP trims are loaded, the BootROM code will branch to the user-defined IoRestore function if it has been configured.
- G. At this point, the device is out of HIBERNATE mode, and the application may continue.
- H. The IoRestore function is a user-defined function where the application may reconfigure GPIO states, disable I/O isolation, reconfigure the PLL, restore peripheral configurations, or branch to application code. This is up to the application requirements.
- I. If the application has not branched to application code, the BootROM will continue after completing IoRestore. It will disable I/O isolation automatically if it was not taken care of inside of IoRestore.
- J. BootROM will then boot as determined by the HIBBOOTMODE register. Refer to the ROM Code and Peripheral Booting chapter of the [TMS320F2807x Piccolo Microcontrollers Technical Reference Manual](#) for more information.

Figure 5-20. HIBERNATE Entry and Exit Timing Diagram

NOTE

- 1. If the IORESTOREADDR is configured as the default value, the BootROM will continue its execution to boot as determined by the HIBBOOTMODE register. Refer to the ROM Code and Peripheral Booting chapter of the [TMS320F2807x Piccolo Microcontrollers Technical Reference Manual](#) for more information.
- 2. The user may choose to disable I/O Isolation at any point in the IoRestore function. Regardless if the user has disabled Isolation in the IoRestore function or if IoRestore is not defined, the BootROM will automatically disable isolation before booting as determined by the HIBBOOTMODE register.

5.7.9 External Memory Interface (EMIF)

The EMIF provides a means of connecting the CPU to various external storage devices like asynchronous memories (SRAM, NOR flash) or synchronous memory (SDRAM).

5.7.9.1 Asynchronous Memory Support

The EMIF supports asynchronous memories:

- SRAMs
- NOR Flash memories

There is an external wait input that allows slower asynchronous memories to extend the memory access. The EMIF module supports up to three chip selects (EMIF_CS[4:2]). Each chip select has the following individually programmable attributes:

- Data bus width
- Read cycle timings: setup, hold, strobe
- Write cycle timings: setup, hold, strobe
- Bus turnaround time
- Extended wait option with programmable time-out
- Select strobe option

5.7.9.2 Synchronous DRAM Support

The EMIF memory controller is compliant with the JESD21-C SDR SDRAMs that use a 32-bit or 16-bit data bus. The EMIF has a single SDRAM chip select (EMIF_CS[0]).

The address space of the EMIF, for the synchronous memory (SDRAM), lies beyond the 22-bit range of the program address bus and can only be accessed through the data bus, which places a restriction on the C compiler being able to work effectively on data in this space. Therefore, when using SDRAM, the user is advised to copy data (using the DMA) from external memory to RAM before working on it. See the examples in controlSUITE™ ([CONTROLSUITE](#)) and the [TMS320F2807x Piccolo Microcontrollers Technical Reference Manual](#).

SDRAM configurations supported are:

- One-bank, two-bank, and four-bank SDRAM devices
- Devices with 8-, 9-, 10-, and 11-column addresses
- CAS latency of two or three clock cycles
- 16-bit/32-bit data bus width
- 3.3-V LVCMOS interface

Additionally, the EMIF supports placing the SDRAM in self-refresh and power-down modes. Self-refresh mode allows the SDRAM to be put in a low-power state while still retaining memory contents because the SDRAM will continue to refresh itself even without clocks from the microcontroller. Power-down mode achieves even lower power, except the microcontroller must periodically wake up and issue refreshes if data retention is required. The EMIF module does not support mobile SDRAM devices.

5.7.9.3 EMIF Electrical Data and Timing

NOTE

This device has one EMIF interface. In this section, EMx denotes EM1.

5.7.9.3.1 Asynchronous RAM

Table 5-39 shows the EMIF asynchronous memory timing requirements. Table 5-40 shows the EMIF asynchronous memory switching characteristics. Figure 5-21 through Figure 5-24 show the EMIF asynchronous memory timing diagrams.

Table 5-39. EMIF Asynchronous Memory Timing Requirements

NO.			MIN	MAX	UNIT
Reads and Writes					
	E	EMIF clock period	$t_{c(SYSCLK)}$		ns
2	$t_{w(EM_WAIT)}$	Pulse duration, EMxWAIT assertion and deassertion	2E		ns
Reads					
12	$t_{su(EMDV-EMOEH)}$	Setup time, EMxD[y:0] valid before \overline{EMxOE} high	15		ns
13	$t_{h(EMOEH-EMDIV)}$	Hold time, EMxD[y:0] valid after \overline{EMxOE} high	0		ns
14	$t_{su(EMOEL-EMWAIT)}$	Setup Time, EMxWAIT asserted before end of Strobe Phase ⁽¹⁾	4E+20		ns
Writes					
28	$t_{su(EMWEL-EMWAIT)}$	Setup Time, EMxWAIT asserted before end of Strobe Phase ⁽¹⁾	4E+20		ns

- (1) Setup before end of STROBE phase (if no extended wait states are inserted) by which EMxWAIT must be asserted to add extended wait states. Figure 5-22 and Figure 5-24 describe EMIF transactions that include extended wait states inserted during the STROBE phase. However, cycles inserted as part of this extended wait period should not be counted; the 4E requirement is to the start of where the HOLD phase would begin if there were no extended wait cycles.

Table 5-40. EMIF Asynchronous Memory Switching Characteristics⁽¹⁾⁽²⁾⁽³⁾

NO.	PARAMETER		MIN	MAX	UNIT
Reads and Writes					
1	$t_d(TURNAROUND)$	Turn around time	(TA)*E-3	(TA)*E+2	ns
Reads					
3	$t_c(EMRCYCLE)$	EMIF read cycle time (EW = 0)	(RS+RST+RH+2)*E-3	(RS+RST+RH+2)*E+2	ns
		EMIF read cycle time (EW = 1)	(RS+RST+RH+2+(EWC*16))*E-3	(RS+RST+RH+2+(EWC*16))*E+2	ns
4	$t_{su(EMCEL-EMOEL)}$	Output setup time, $\overline{EMxCS}[y:2]$ low to \overline{EMxOE} low (SS = 0)	(RS)*E-3	(RS)*E+2	ns
		Output setup time, $\overline{EMxCS}[y:2]$ low to \overline{EMxOE} low (SS = 1)	-3	2	ns
5	$t_h(EMOEH-EMCEH)$	Output hold time, \overline{EMxOE} high to $\overline{EMxCS}[y:2]$ high (SS = 0)	(RH)*E-3	(RH)*E	ns
		Output hold time, \overline{EMxOE} high to $\overline{EMxCS}[y:2]$ high (SS = 1)	-3	0	ns
6	$t_{su(EMBAV-EMOEL)}$	Output setup time, EMxBA[y:0] valid to \overline{EMxOE} low	(RS)*E-3	(RS)*E+2	ns

- (1) TA = Turn around, RS = Read setup, RST = Read strobe, RH = Read hold, WS = Write setup, WST = Write strobe, WH = Write hold, MEWC = Maximum external wait cycles. These parameters are programmed through the Asynchronous Bank and Asynchronous Wait Cycle Configuration Registers. These support the following ranges of values: TA[4-1], RS[16-1], RST[64-4], RH[8-1], WS[16-1], WST[64-1], WH[8-1], and MEWC[1-256]. See the [TMS320F2807x Piccolo Microcontrollers Technical Reference Manual](#) for more information.
- (2) E = EMxCLK period in ns.
- (3) EWC = external wait cycles determined by EMxWAIT input signal. EWC supports the following range of values. EWC[256-1]. The maximum wait time before time-out is specified by bit field MEWC in the Asynchronous Wait Cycle Configuration Register. See the [TMS320F2807x Piccolo Microcontrollers Technical Reference Manual](#) for more information.

Table 5-40. EMIF Asynchronous Memory Switching Characteristics⁽¹⁾⁽²⁾⁽³⁾ (continued)

NO.	PARAMETER		MIN	MAX	UNIT
7	$t_{h(EMOE\bar{H}-EMBAIV)}$	Output hold time, \overline{EMxOE} high to $EMxBA[y:0]$ invalid	(RH)*E-3	(RH)*E	ns
8	$t_{su(EMAV-EMOEL)}$	Output setup time, $EMxA[y:0]$ valid to \overline{EMxOE} low	(RS)*E-3	(RS)*E+2	ns
9	$t_{h(EMOE\bar{H}-EMAIV)}$	Output hold time, \overline{EMxOE} high to $EMxA[y:0]$ invalid	(RH)*E-3	(RH)*E	ns
10	$t_w(EMOEL)$	\overline{EMxOE} active low width (EW = 0)	(RST)*E-1	(RST)*E+1	ns
		\overline{EMxOE} active low width (EW = 1)	(RST+(EWC*16))*E-1	(RST+(EWC*16))*E+1	ns
11	$t_d(EMWAITH-EMOE\bar{H})$	Delay time from $EMxWAIT$ deasserted to \overline{EMxOE} high	4E+10	5E+15	ns
29	$t_{su(EMDQM\bar{V}-EMOEL)}$	Output setup time, $EMxDQM[y:0]$ valid to \overline{EMxOE} low	(RS)*E-3	(RS)*E+2	ns
30	$t_{h(EMOE\bar{H}-EMDQMIV)}$	Output hold time, \overline{EMxOE} high to $EMxDQM[y:0]$ invalid	(RH)*E-3	(RH)*E	ns
Writes					
15	$t_c(EMWCYCLE)$	EMIF write cycle time (EW = 0)	(WS+WST+WH+2)*E-3	(WS+WST+WH+2)*E+1	ns
		EMIF write cycle time (EW = 1)	(WS+WST+WH+2+(EWC*16))*E-3	(WS+WST+WH+2+(EWC*16))*E+1	ns
16	$t_{su(EMC\bar{E}L-EMWEL)}$	Output setup time, $\overline{EMxCS}[y:2]$ low to $EMxWE$ low (SS = 0)	(WS)*E-3	(WS)*E+1	ns
		Output setup time, $\overline{EMxCS}[y:2]$ low to $EMxWE$ low (SS = 1)	-3	1	ns
17	$t_{h(EMWE\bar{H}-EMCE\bar{H})}$	Output hold time, \overline{EMxWE} high to $\overline{EMxCS}[y:2]$ high (SS = 0)	(WH)*E-3	(WH)*E	ns
		Output hold time, \overline{EMxWE} high to $\overline{EMxCS}[y:2]$ high (SS = 1)	-3	0	ns
18	$t_{su(EMDQM\bar{V}-EMWEL)}$	Output setup time, $EMxDQM[y:0]$ valid to $EMxWE$ low	(WS)*E-3	(WS)*E+1	ns
19	$t_{h(EMWE\bar{H}-EMDQMIV)}$	Output hold time, \overline{EMxWE} high to $EMxDQM[y:0]$ invalid	(WH)*E-3	(WH)*E	ns
20	$t_{su(EMBA\bar{V}-EMWEL)}$	Output setup time, $EMxBA[y:0]$ valid to $EMxWE$ low	(WS)*E-3	(WS)*E+1	ns
21	$t_{h(EMWE\bar{H}-EMBAIV)}$	Output hold time, \overline{EMxWE} high to $EMxBA[y:0]$ invalid	(WH)*E-3	(WH)*E	ns
22	$t_{su(EMAV-EMWEL)}$	Output setup time, $EMxA[y:0]$ valid to $EMxWE$ low	(WS)*E-3	(WS)*E+1	ns
23	$t_{h(EMWE\bar{H}-EMAIV)}$	Output hold time, \overline{EMxWE} high to $EMxA[y:0]$ invalid	(WH)*E-3	(WH)*E	ns
24	$t_w(EMWEL)$	\overline{EMxWE} active low width (EW = 0)	(WST)*E-1	(WST)*E+1	ns
		\overline{EMxWE} active low width (EW = 1)	(WST+(EWC*16))*E-1	(WST+(EWC*16))*E+1	ns
25	$t_d(EMWAITH-EMWE\bar{H})$	Delay time from $EMxWAIT$ deasserted to \overline{EMxWE} high	4E+10	5E+15	ns
26	$t_{su(EMD\bar{V}-EMWEL)}$	Output setup time, $EMxD[y:0]$ valid to $EMxWE$ low	(WS)*E-3	(WS)*E+1	ns
27	$t_{h(EMWE\bar{H}-EMDIV)}$	Output hold time, \overline{EMxWE} high to $EMxD[y:0]$ invalid	(WH)*E-3	(WH)*E	ns

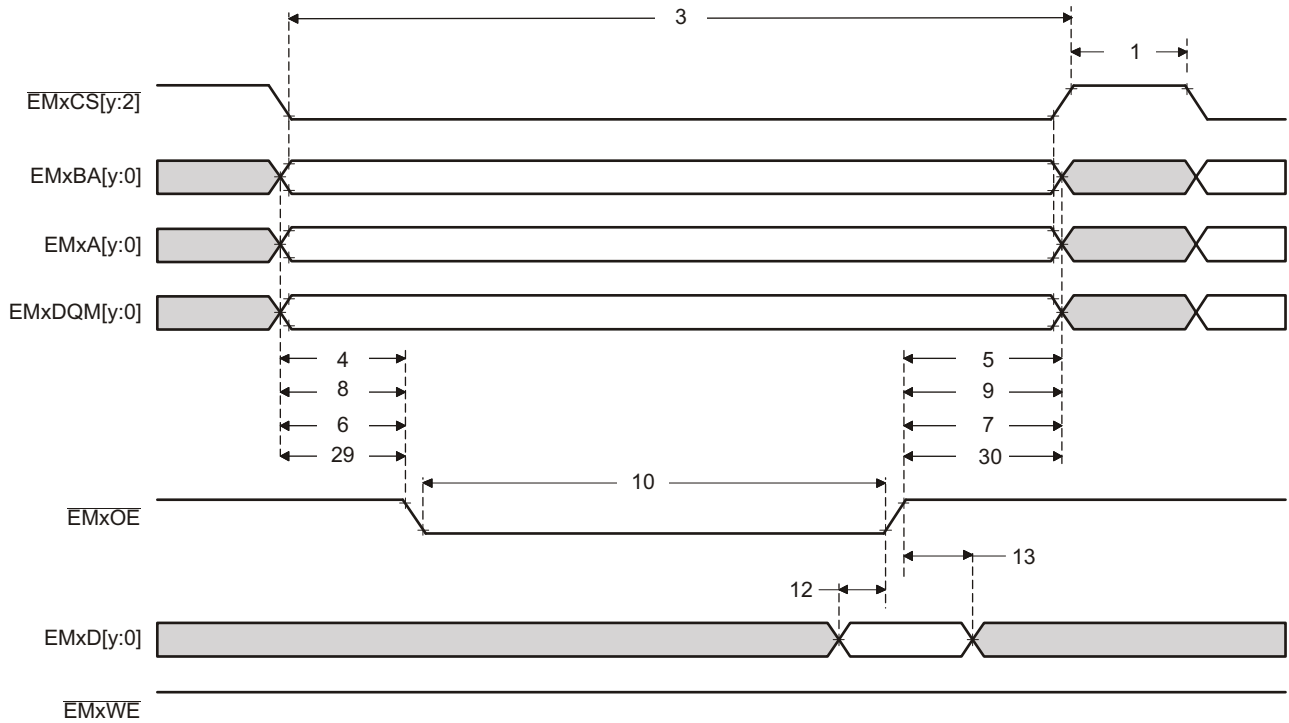


Figure 5-21. Asynchronous Memory Read Timing

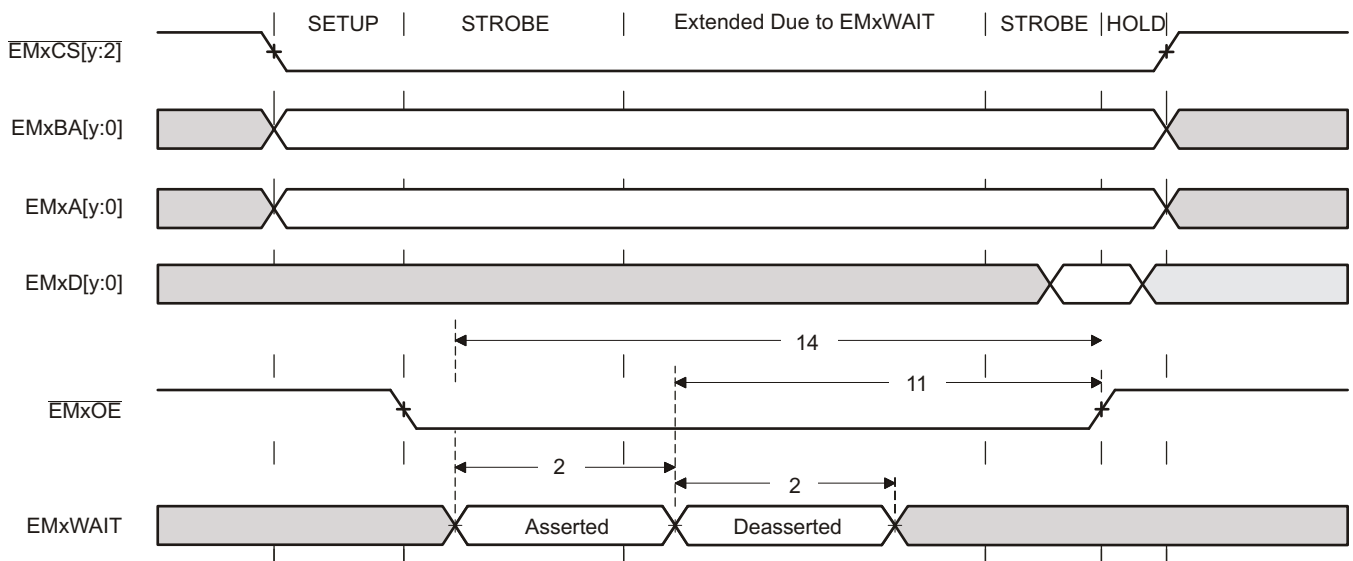


Figure 5-22. EMxWAIT Read Timing Requirements

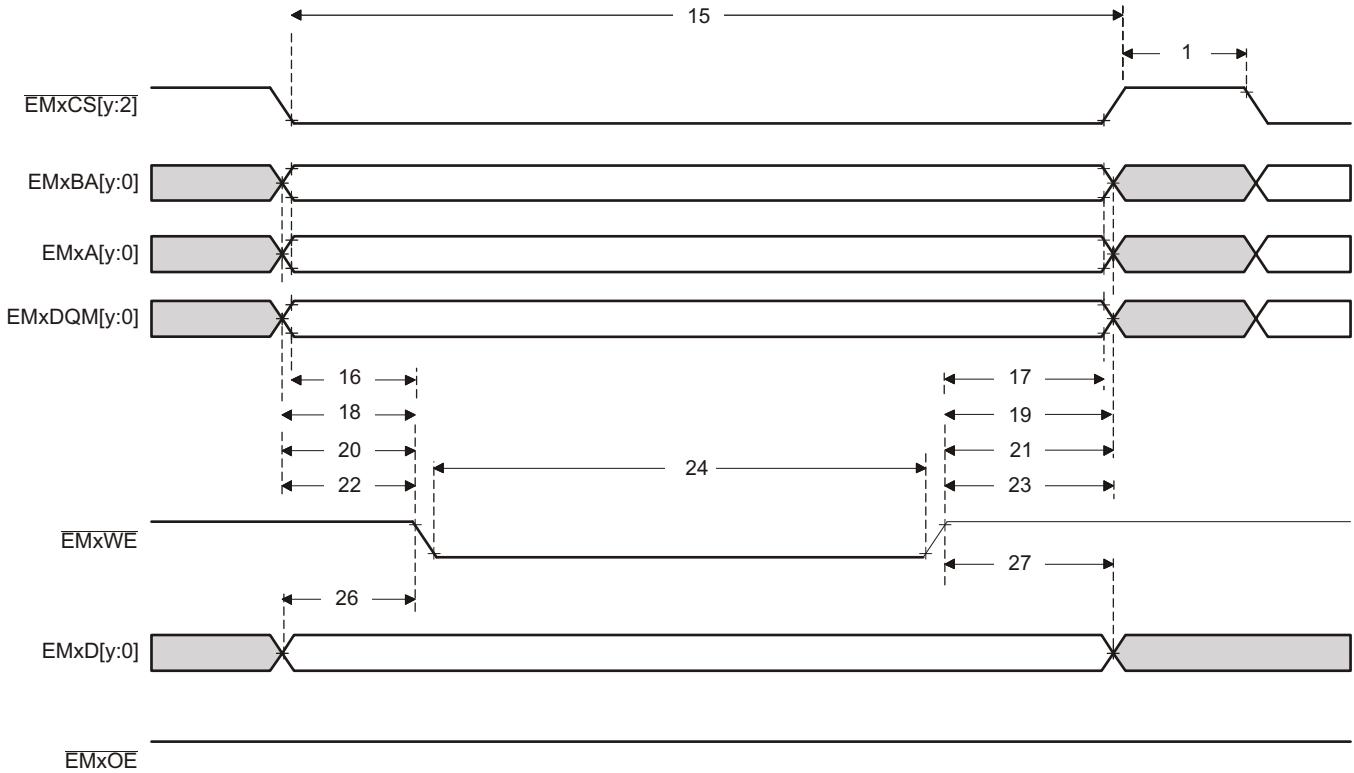


Figure 5-23. Asynchronous Memory Write Timing

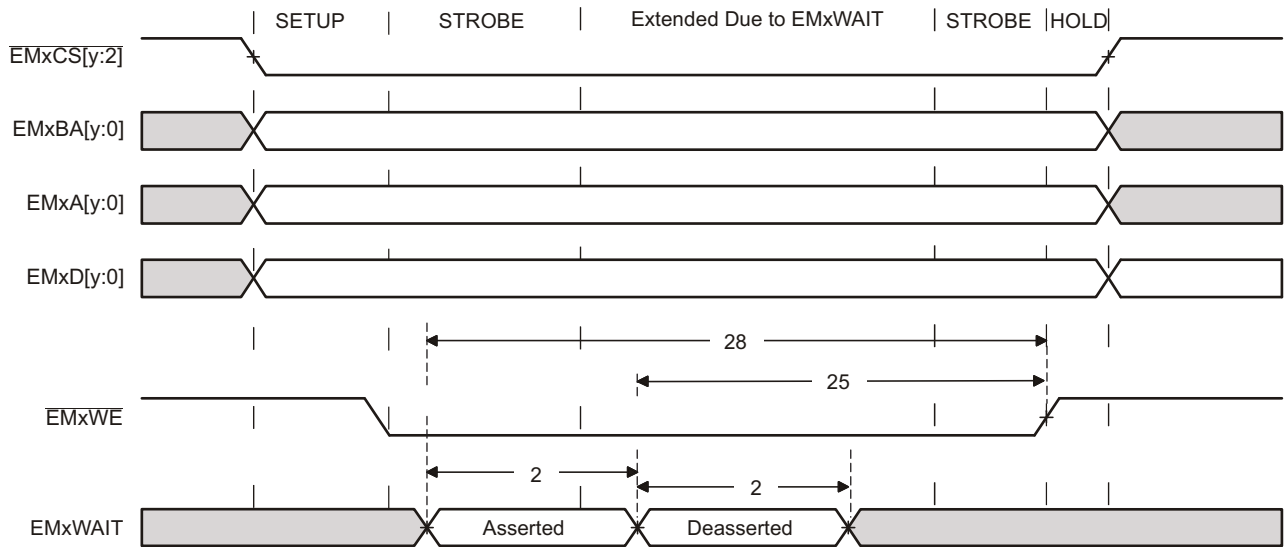


Figure 5-24. EMxWAIT Write Timing Requirements

5.7.9.3.2 Synchronous RAM

Table 5-41 shows the EMIF synchronous memory timing requirements. Table 5-42 shows the EMIF synchronous memory switching characteristics. Figure 5-25 and Figure 5-26 show the synchronous memory timing diagrams.

Table 5-41. EMIF Synchronous Memory Timing Requirements

NO.		MIN	MAX	UNIT
19	$t_{su}(EMIFDV-EM_CLKH)$ Input setup time, read data valid on EMxD[y:0] before EMxCLK rising	2		ns
20	$t_h(CLKH-DIV)$ Input hold time, read data valid on EMxD[y:0] after EMxCLK rising	1.5		ns

Table 5-42. EMIF Synchronous Memory Switching Characteristics

NO.	PARAMETER	MIN	MAX	UNIT
1	$t_c(CLK)$ Cycle time, EMIF clock EMxCLK	10		ns
2	$t_w(CLK)$ Pulse width, EMIF clock EMxCLK high or low	3		ns
3	$t_d(CLKH-CSV)$ Delay time, EMxCLK rising to $\overline{EMxCS}[y:2]$ valid		8	ns
4	$t_{oh}(CLKH-CSIV)$ Output hold time, EMxCLK rising to $\overline{EMxCS}[y:2]$ invalid	1		ns
5	$t_d(CLKH-DQMV)$ Delay time, EMxCLK rising to EMxDQM[y:0] valid		8	ns
6	$t_{oh}(CLKH-DQMIV)$ Output hold time, EMxCLK rising to EMxDQM[y:0] invalid	1		ns
7	$t_d(CLKH-AV)$ Delay time, EMxCLK rising to EMxA[y:0] and EMxBA[y:0] valid		8	ns
8	$t_{oh}(CLKH-AIV)$ Output hold time, EMxCLK rising to EMxA[y:0] and EMxBA[y:0] invalid	1		ns
9	$t_d(CLKH-DV)$ Delay time, EMxCLK rising to EMxD[y:0] valid		8	ns
10	$t_{oh}(CLKH-DIV)$ Output hold time, EMxCLK rising to EMxD[y:0] invalid	1		ns
11	$t_d(CLKH-RASV)$ Delay time, EMxCLK rising to EMxRAS valid		8	ns
12	$t_{oh}(CLKH-RASIV)$ Output hold time, EMxCLK rising to EMxRAS invalid	1		ns
13	$t_d(CLKH-CASV)$ Delay time, EMxCLK rising to EMxCAS valid		8	ns
14	$t_{oh}(CLKH-CASIV)$ Output hold time, EMxCLK rising to EMxCAS invalid	1		ns
15	$t_d(CLKH-WEV)$ Delay time, EMxCLK rising to \overline{EMxWE} valid		8	ns
16	$t_{oh}(CLKH-WEIV)$ Output hold time, EMxCLK rising to \overline{EMxWE} invalid	1		ns
17	$t_d(CLKH-DHZ)$ Delay time, EMxCLK rising to EMxD[y:0] tri-stated		8	ns
18	$t_{oh}(CLKH-DLZ)$ Output hold time, EMxCLK rising to EMxD[y:0] driving	1		ns

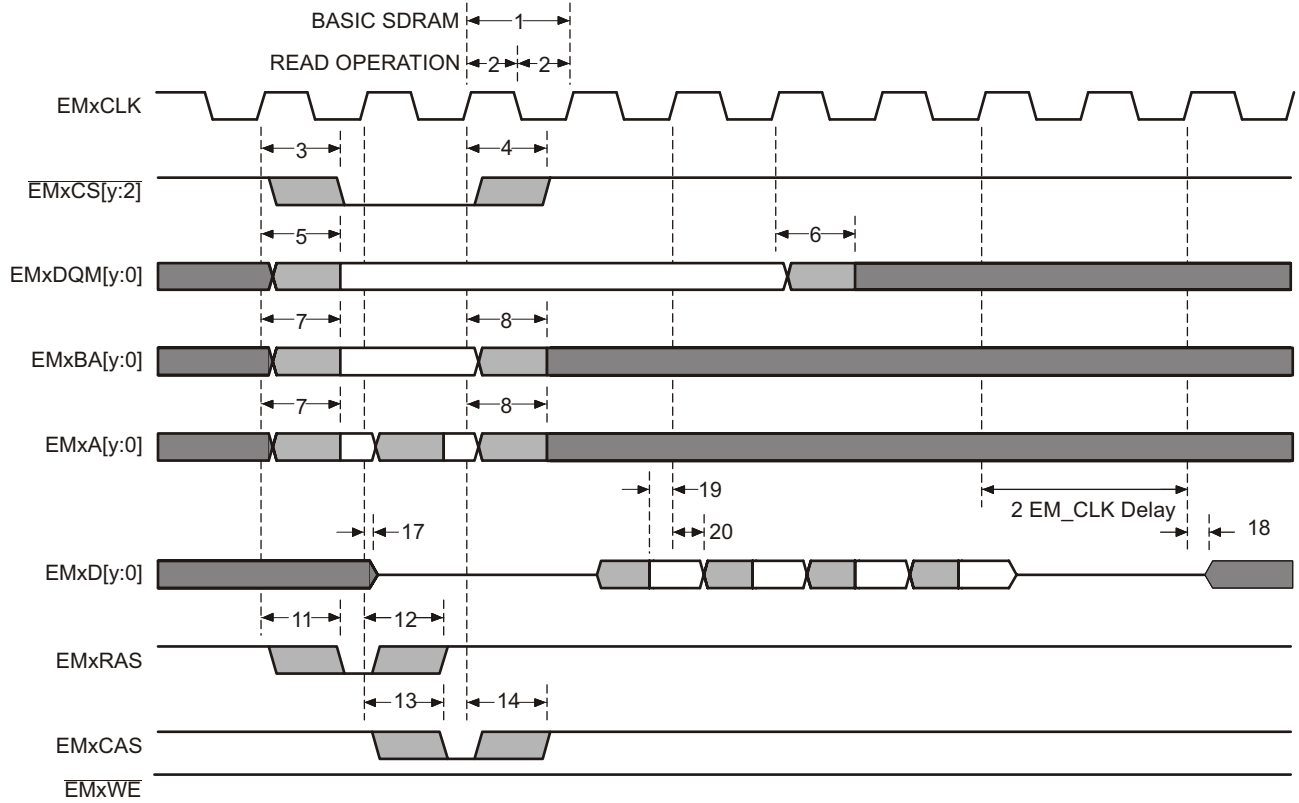


Figure 5-25. Basic SDRAM Read Operation

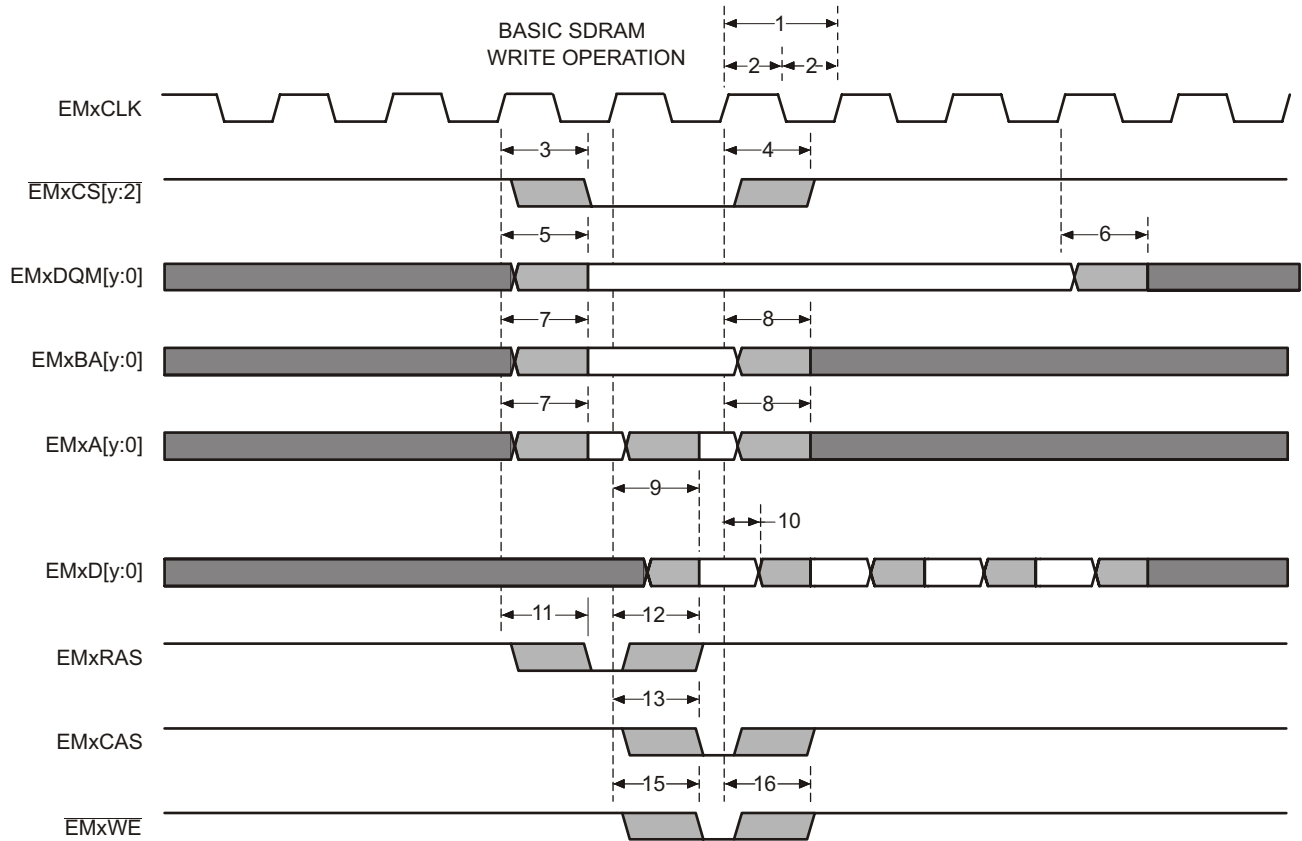


Figure 5-26. Basic SDRAM Write Operation

5.8 Analog Peripherals

This analog subsystem module is described in this section.

The analog modules on this device include the ADC, temperature sensor, buffered DAC, and CMPSS.

The analog subsystem has the following features:

- Flexible voltage references
 - V_{REFHIA} and V_{REFLOA} , V_{REFHIB} and V_{REFLOB} , and V_{REFHID} and V_{REFLOD} externally supplied reference voltage pins
 - Selectable by ADCs and buffered DACs
 - VDAC externally supplied reference voltage pin
 - Selectable by buffered DACs and comparator subsystem DACs
 - Low reference is V_{SSA}
- Flexible pin usage
 - Buffered DAC and comparator subsystem functions multiplexed with ADC inputs
- Internal connection to V_{REFLO} on all ADCs for offset self-calibration

[Figure 5-27](#) shows the Analog Subsystem Block Diagram for the 176-pin PTP package. [Figure 5-28](#) shows the Analog Subsystem Block Diagram for the 100-pin PZP package.

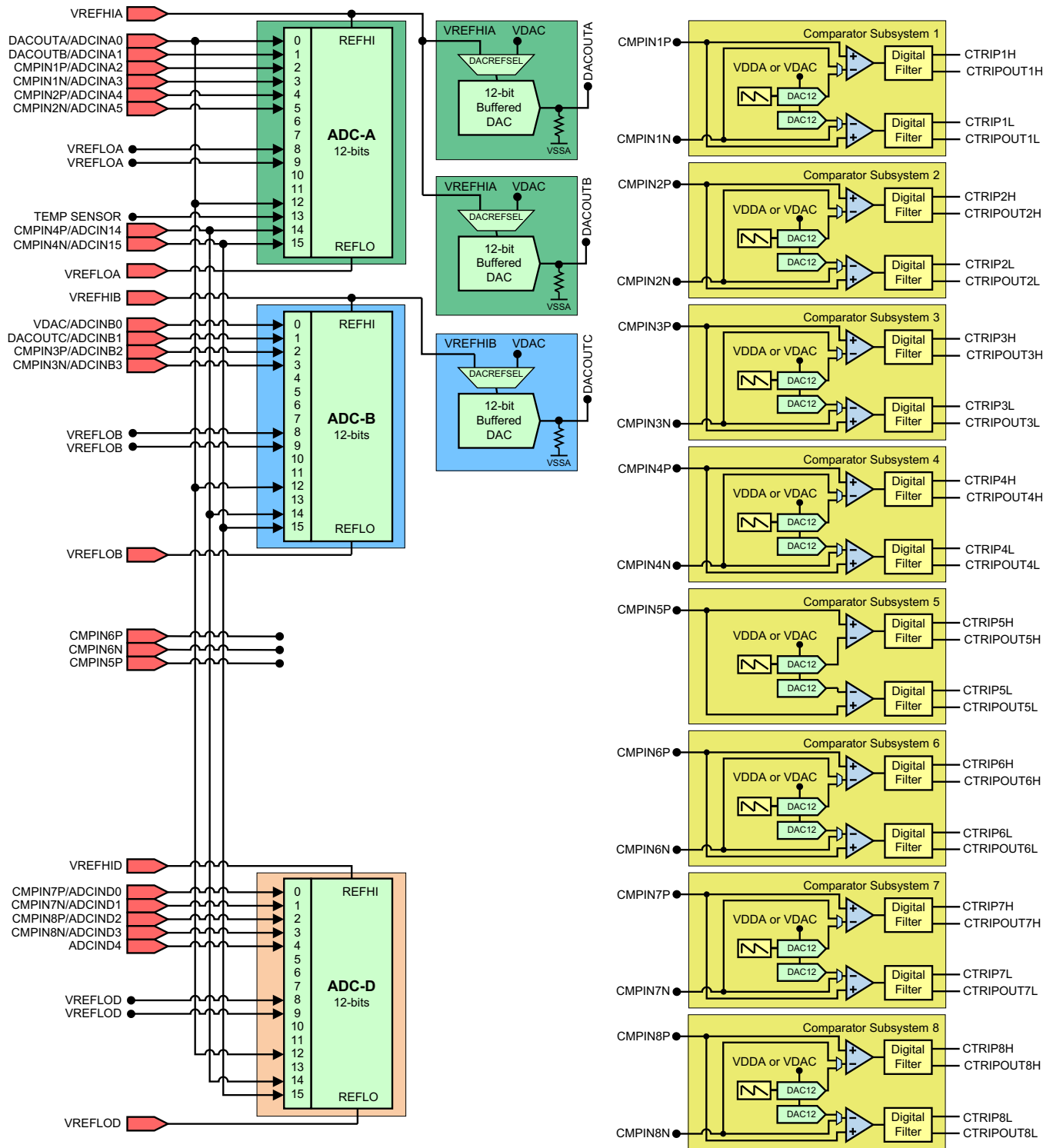


Figure 5-27. Analog Subsystem Block Diagram (176-Pin PTP)

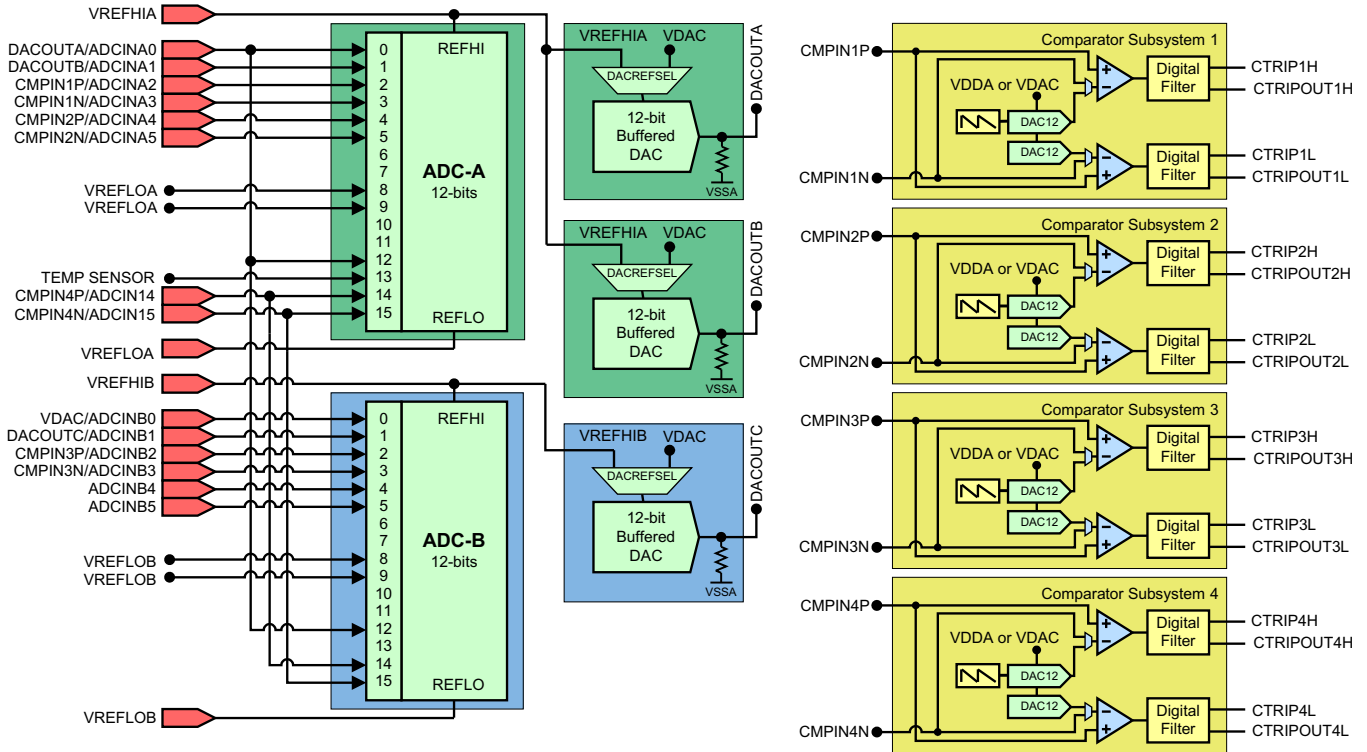


Figure 5-28. Analog Subsystem Block Diagram (100-Pin PZP)

5.8.1 Analog-to-Digital Converter (ADC)

The ADCs on this device are successive approximation (SAR) style ADCs with 12-bit resolution. There are multiple ADC modules which allow simultaneous sampling. The ADC wrapper is start-of-conversion (SOC) based [see the SOC Principle of Operation section of the [TMS320F2807x Piccolo Microcontrollers Technical Reference Manual](#)].

Each ADC has the following features:

- 12-bit resolution
- Ratiometric external reference set by V_{REFHI} and V_{REFLO}
- Single-ended signal conversions
- Input multiplexer with up to 16 channels
- 16 configurable SOCs
- 16 individually addressable result registers
- Multiple trigger sources
 - Software immediate start
 - All ePWMs
 - GPIO XINT2
 - CPU timers
 - ADCINT1 or 2
- Four flexible PIE interrupts
- Burst mode
- Four post-processing blocks, each with:
 - Saturating offset calibration
 - Error from setpoint calculation
 - High, low, and zero-crossing compare, with interrupt and ePWM trip capability
 - Trigger-to-sample delay capture

Figure 5-29 shows the ADC module block diagram.

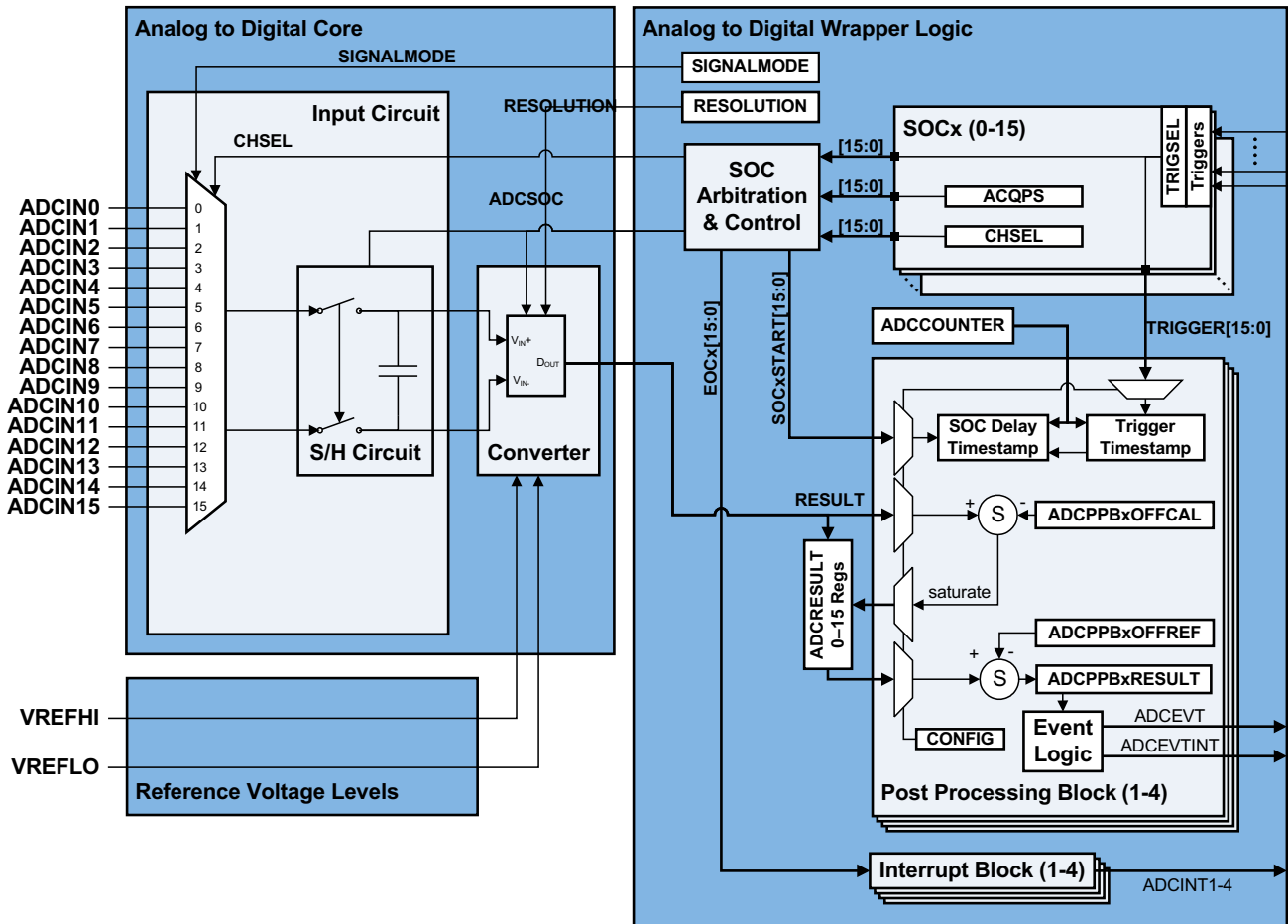


Figure 5-29. ADC Module Block Diagram

5.8.1.1 ADC Electrical Data and Timing

Table 5-43 shows the ADC operating conditions. Table 5-44 shows the ADC characteristics. Table 5-45 shows the ADCEXTSOC timing requirements.

Table 5-43. ADC Operating Conditions

over recommended operating conditions (unless otherwise noted)

	MIN	TYP	MAX	UNIT
ADCCLK (derived from PERx.SYSCLK)	5		50	MHz
Sample window duration (set by ACQPS and PERx.SYSCLK)	100			ns
	1			ADCCLK
V_{REFHI}	2.4	2.5 or 3.0	V_{DDA}	V
V_{REFLO}	V_{SSA}	0	V_{SSA}	V
$V_{REFHI} - V_{REFLO}$	2.4		V_{DDA}	V
ADC input conversion range	V_{REFLO}		V_{REFHI}	V

NOTE

The ADC inputs should be kept below $V_{DDA} + 0.3$ V during operation. If an ADC input exceeds this level, the V_{REF} internal to the device may be disturbed, which can impact results for other ADC or DAC inputs using the same V_{REF} .

Table 5-44. ADC Characteristicsover recommended operating conditions (unless otherwise noted)⁽¹⁾

PARAMETER	TEST CONDITIONS	MIN	TYP	MAX	UNIT
ADC conversion cycles ⁽²⁾		10.1		11	ADCCLKs
Power-up time				500	μs
Gain error		-5	±3	5	LSBs
Offset error		-4	±2	4	LSBs
Channel-to-channel gain error			±4		LSBs
Channel-to-channel offset error			±2		LSBs
ADC-to-ADC gain error	Identical V _{REFHI} and V _{REFLO} for all ADCs		±4		LSBs
ADC-to-ADC offset error	Identical V _{REFHI} and V _{REFLO} for all ADCs		±2		LSBs
DNL ⁽³⁾		> -1	±0.5	1	LSBs
INL		-2	±1.0	2	LSBs
SNR ⁽⁴⁾⁽⁵⁾	V _{REFHI} = 2.5 V, f _{in} = 100 kHz		68.8		dB
THD ⁽⁴⁾⁽⁵⁾	V _{REFHI} = 2.5 V, f _{in} = 100 kHz		-78.4		dB
SFDR ⁽⁴⁾⁽⁵⁾	V _{REFHI} = 2.5 V, f _{in} = 100 kHz		79.2		dB
SINAD ⁽⁴⁾⁽⁵⁾	V _{REFHI} = 2.5 V, f _{in} = 100 kHz		68.4		dB
ENOB ⁽⁴⁾⁽⁵⁾	V _{REFHI} = 2.5 V, f _{in} = 100 kHz, single ADC ⁽⁶⁾ , all packages		11.1		bits
	V _{REFHI} = 2.5 V, f _{in} = 100 kHz, synchronous ADCs ⁽⁷⁾ , all packages		11.1		
	V _{REFHI} = 2.5 V, f _{in} = 100 kHz, asynchronous ADCs ⁽⁸⁾ , 100-pin PZP package		Not supported		
	V _{REFHI} = 2.5 V, f _{in} = 100 kHz, asynchronous ADCs ⁽⁸⁾ , 176-pin PTP package		9.7		
PSRR	V _{DDA} = 3.3-V DC + 200 mV DC up to Sine at 1 kHz		60		dB
PSRR	V _{DDA} = 3.3-V DC + 200 mV Sine at 800 kHz		57		dB
ADC-to-ADC isolation ⁽⁵⁾⁽⁹⁾⁽¹⁰⁾	V _{REFHI} = 2.5 V, synchronous ADCs ⁽⁷⁾ , all packages	-1		1	LSBs
	V _{REFHI} = 2.5 V, asynchronous ADCs ⁽⁸⁾ , 100-pin PZP package		Not supported		
	V _{REFHI} = 2.5 V, asynchronous ADCs ⁽⁸⁾ , 176-pin PTP package	-9		9	
V _{REFHI} input current			130		μA

(1) Typical values are measured with V_{REFHI} = 2.5 V and V_{REFLO} = 0 V. Minimum and Maximum values are tested or characterized with V_{REFHI} = 2.5 V and V_{REFLO} = 0 V.

(2) See Section 5.8.1.1.2.

(3) No missing codes.

(4) AC parameters will be impacted by clock source accuracy and jitter, this should be taken into account when selecting the clock source for the system. The clock source used for these parameters was a high-accuracy external clock fed through the PLL. The on-chip Internal Oscillator has higher jitter than an external crystal and these parameters will degrade if it is used as a clock source.

(5) IO activity is minimized on pins adjacent to ADC input and V_{REFHI} pins as part of best practices to reduce capacitive coupling and crosstalk.

(6) One ADC operating while all other ADCs are idle.

(7) All ADCs operating with identical ADCCLK, S+H durations, triggers, and resolution.

(8) Any ADCs operating with heterogeneous ADCCLK, S+H durations, triggers, or resolution.

(9) Maximum DC code deviation due to operation of multiple ADCs simultaneously.

(10) Value based on characterization.

Table 5-45. ADCEXTSOC Timing Requirements⁽¹⁾

			MIN	MAX	UNIT
$t_{w(INT)}$	Pulse duration, INT input low/high	Synchronous	$2t_{c(SYSCLK)}$		cycles
		With qualifier	$t_{w(IQSW)} + t_{w(SP)} + 1t_{c(SYSCLK)}$		cycles

(1) For an explanation of the input qualifier parameters, see [Table 5-26](#).

5.8.1.1.1 ADC Input Model

NOTE

ADC channels ADCINA0, ADCINA1, and ADCINB1 have a 50-k Ω pulldown resistor to V_{SSA} .

For single-ended operation, the ADC input characteristics are given by [Table 5-46](#) and [Figure 5-30](#).

Table 5-46. Single-Ended Input Model Parameters

	DESCRIPTION	VALUE
C_p	Parasitic input capacitance	See Table 5-47
R_{on}	Sampling switch resistance	600 Ω
C_h	Sampling capacitor	16.5 pF
R_s	Nominal source impedance	50 Ω

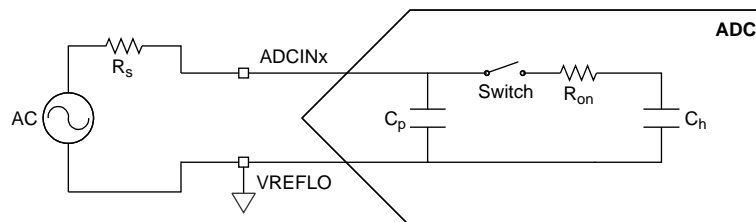


Figure 5-30. Single-Ended Input Model

Table 5-47 shows the parasitic capacitance on each channel. Also, enabling a comparator adds approximately 1.4 pF of capacitance on positive comparator inputs and 2.5 pF of capacitance on negative comparator inputs.

Table 5-47. Per-Channel Parasitic Capacitance

ADC CHANNEL	C _p (pF)	
	COMPARATOR DISABLED	COMPARATOR ENABLED
ADCINA0	12.9	N/A
ADCINA1	10.3	N/A
ADCINA2	5.9	7.3
ADCINA3	6.3	8.8
ADCINA4	5.9	7.3
ADCINA5	6.3	8.8
ADCINB0	117.0	N/A
ADCINB1	10.6	N/A
ADCINB2	5.9	7.3
ADCINB3	6.2	8.7
ADCINB4	5.2	N/A
ADCINB5	5.1	N/A
ADCIND0	5.3	6.7
ADCIND1	5.7	8.2
ADCIND2	5.3	6.7
ADCIND3	5.6	8.1
ADCIND4	4.3	N/A
ADCIN14	8.6	10.0
ADCIN15	9.0	11.5

This input model should be used along with actual signal source impedance to determine the acquisition window duration. See the Choosing an Acquisition Window Duration section of the [TMS320F2807x Piccolo Microcontrollers Technical Reference Manual](#) for more information.

The user should analyze the ADC input setting assuming worst-case initial conditions on C_h. This will require assuming that C_h could start the S+H window completely charged to V_{REFHI} or completely discharged to V_{REFLO}. When the ADC transitions from an odd-numbered channel to an even-numbered channel, or vice-versa, the actual initial voltage on C_h will be close to being completely discharged to V_{REFLO}. For even-to-even or odd-to-odd channel transitions, the initial voltage on C_h will be close to the voltage of the previously converted channel.

5.8.1.1.2 ADC Timing Diagrams

Table 5-48 shows the ADC timings in 12-bit mode (SYSCLK cycles). Figure 5-31 shows the ADC conversion timings for two SOCs given the following assumptions:

- SOC0 and SOC1 are configured to use the same trigger.
- No other SOCs are converting or pending when the trigger occurs.
- The round robin pointer is in a state that causes SOC0 to convert first.
- ADCINTSEL is configured to set an ADCINT flag upon end of conversion for SOC0 (whether this flag propagates through to the CPU to cause an interrupt is determined by the configurations in the PIE module).

The following parameters are identified in the timing diagrams:

- The parameter t_{SH} is the duration of the S+H window. At the end of this window, the value on the S+H capacitor becomes the voltage to be converted into a digital value. The duration is given by $(ACQPS + 1)$ SYSCLK cycles. ACQPS can be configured individually for each SOC, so t_{SH} will not necessarily be the same for different SOCs.
- The parameter t_{LAT} is the time from the end of the S+H window until the ADC conversion results latch in the ADCRESULTx register. If the ADCRESULTx register is read before this time, the previous conversion results will be returned.
- The parameter t_{EOC} is the time from the end of the S+H window until the next ADC conversion S+H window can begin. The subsequent sample can start before the conversion results are latched.
- The parameter t_{INT} is the time from the end of the S+H window until an ADCINT flag is set (if configured). If the INTPULSEPOS bit in the ADCCTL1 register is set, this will coincide with the conversion results being latched into the result register. If the bit is cleared, this will coincide with the end of the S+H window.

Table 5-48. ADC Timings in 12-Bit Mode (SYSCLK Cycles)

ADCCLK PRESCALE		SYSCLK CYCLES				ADCCLK CYCLES	
ADCCTL2 [PRESCALE]	RATIO ADCCLK:SYSCLK	t _{EOC}	t _{LAT}	t _{INT(EARLY)}	t _{INT(LATE)}	t _{EOC}	
0	1	11	13	1	11	11.0	
1	1.5	Invalid					
2	2	21	23	1	21	10.5	
3	2.5	26	28	1	26	10.4	
4	3	31	34	1	31	10.3	
5	3.5	36	39	1	36	10.3	
6	4	41	44	1	41	10.3	
7	4.5	46	49	1	46	10.2	
8	5	51	55	1	51	10.2	
9	5.5	56	60	1	56	10.2	
10	6	61	65	1	61	10.2	
11	6.5	66	70	1	66	10.2	
12	7	71	76	1	71	10.1	
13	7.5	76	81	1	76	10.1	
14	8	81	86	1	81	10.1	
15	8.5	86	91	1	86	10.1	

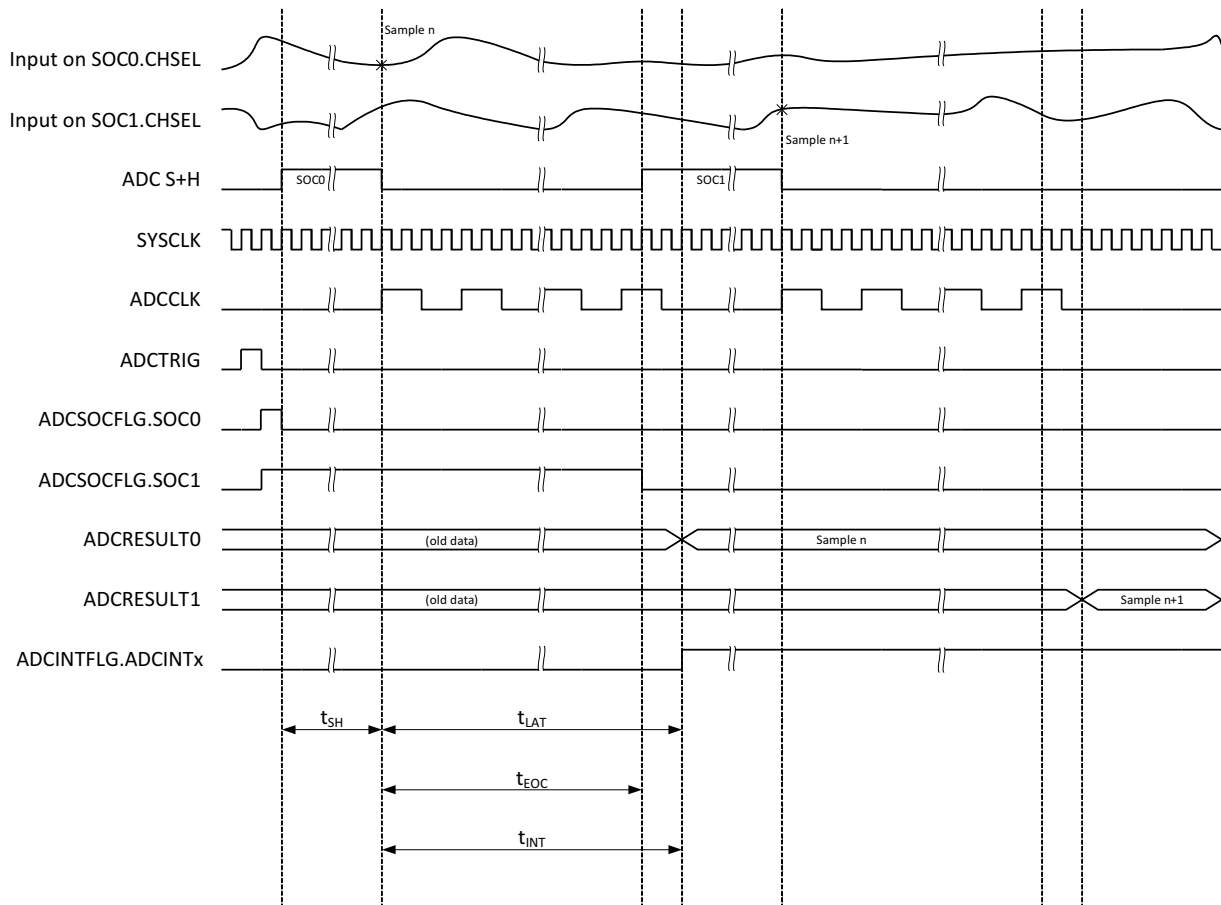


Figure 5-31. ADC Timings for 12-Bit Mode

5.8.1.2 Temperature Sensor Electrical Data and Timing

The temperature sensor can be used to measure the device junction temperature. The temperature sensor is sampled through an internal connection to the ADC and translated into a temperature through TI-provided software. When sampling the temperature sensor, the ADC must meet the acquisition time in [Table 5-49](#).

Table 5-49. Temperature Sensor Electrical Characteristics

over recommended operating conditions (unless otherwise noted)

PARAMETER	MIN	TYP	MAX	UNIT
Temperature accuracy		±15		°C
Start-up time (TSNSCTL[ENABLE] to sampling temperature sensor)		500		μs
ADC acquisition time	700			ns

5.8.2 Comparator Subsystem (CMPSS)

Each CMPSS module includes two comparators, two internal voltage reference DACs (CMPSS DACs), two digital glitch filters, and one ramp generator. There are two inputs, CMPINxP and CMPINxN. Each of these inputs will be internally connected to an ADCIN pin. The CMPINxP pin is always connected to the positive input of the CMPSS comparators. CMPINxN can be used instead of the DAC output to drive the negative comparator inputs. There are two comparators, and therefore two outputs from the CMPSS module, which are connected to the input of a digital filter module before being passed on to the Comparator TRIP crossbar and either PWM modules or directly to a GPIO pin. Figure 5-32 shows CMPSS connectivity on the 176-pin PTP package. Figure 5-33 shows CMPSS connectivity on the 100-pin PZP package.

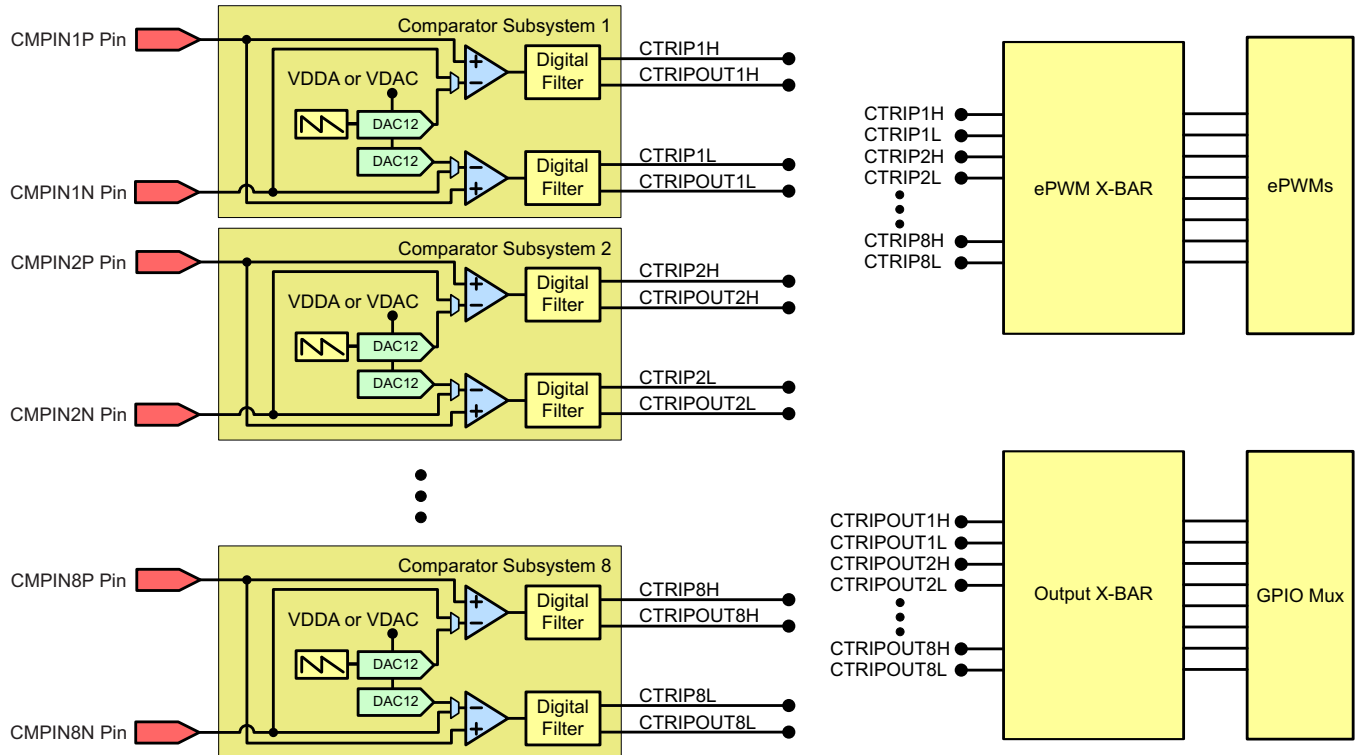


Figure 5-32. CMPSS Connectivity (176-Pin PTP)

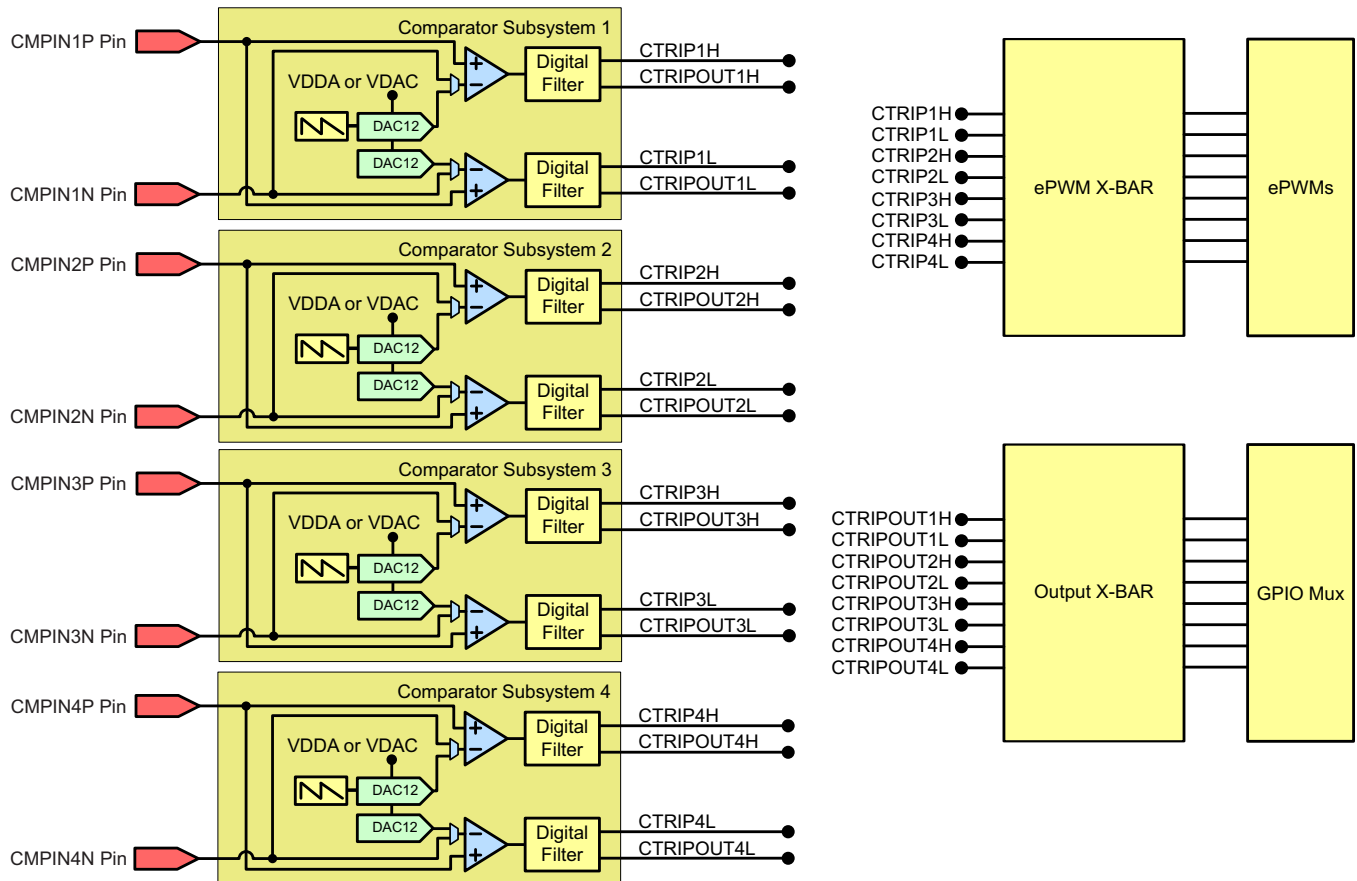


Figure 5-33. CMPSS Connectivity (100-Pin PZP)

5.8.2.1 CMPSS Electrical Data and Timing

Table 5-50 shows the comparator electrical characteristics. Figure 5-34 shows the CMPSS comparator input referred offset. Figure 5-35 shows the CMPSS comparator hysteresis.

Table 5-50. Comparator Electrical Characteristics

over recommended operating conditions (unless otherwise noted)

PARAMETER	TEST CONDITIONS	MIN	TYP	MAX	UNIT
Power-up time (from COMPCTL[COMPDACE] to comparator ready)				10	μs
Comparator input (CMPINxx) range		0		V _{DDA}	V
Input referred offset error		-20		20	mV
Hysteresis ⁽¹⁾	1x		12		CMPSS DAC LSB
	2x		24		
	3x		36		
	4x		48		
Response time (delay from CMPINx input change to output on ePWM X-BAR or Output X-BAR)	Step response		21	60	ns
	Ramp response (1.65 V/μs)		26		
	Ramp response (8.25 mV/μs)		30		

(1) Hysteresis will scale with the CMPSS reference voltage.

NOTE

The CMPSS inputs must be kept below V_{DDA} + 0.3 V to ensure proper functional operation. If a CMPSS input exceeds this level, an internal blocking circuit will isolate the internal comparator from the external pin until the external pin voltage returns below V_{DDA} + 0.3 V. During this time, the internal comparator input will be floating and can decay below V_{DDA} within approximately 0.5 μs. After this time, the comparator could begin to output an incorrect result depending on the value of the other comparator input.

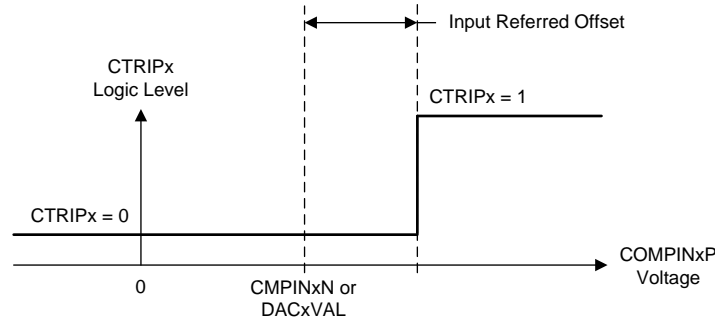


Figure 5-34. CMPSS Comparator Input Referred Offset

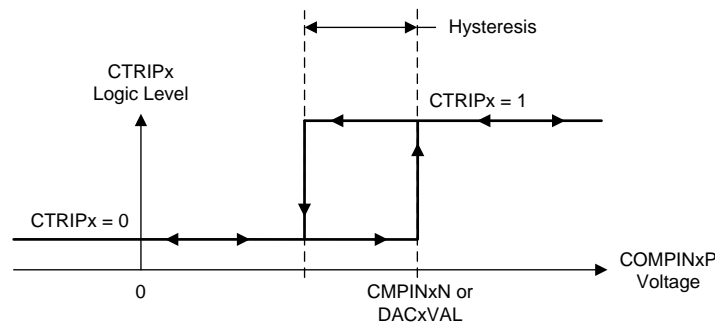


Figure 5-35. CMPSS Comparator Hysteresis

Table 5-51 shows the CMPSS DAC static electrical characteristics. Figure 5-36 shows the CMPSS DAC static offset. Figure 5-37 shows the CMPSS DAC static gain. Figure 5-38 shows the CMPSS DAC static linearity.

Table 5-51. CMPSS DAC Static Electrical Characteristics

over recommended operating conditions (unless otherwise noted)

PARAMETER	TEST CONDITIONS	MIN	TYP	MAX	UNIT
CMPSS DAC output range	Internal reference	0		V_{DDA}	V
	External reference	0		VDAC	
Static offset error ⁽¹⁾		-25		25	mV
Static gain error ⁽¹⁾		-2		2	% of FSR
Static DNL	Endpoint corrected	>-1		4	LSB
Static INL	Endpoint corrected	-16		16	LSB
Settling time	Settling to 1 LSB after full-scale output change			1	μ s
Resolution			12		bits
CMPSS DAC output disturbance ⁽²⁾	Error induced by comparator trip or CMPSS DAC code change within the same CMPSS module	-100		100	LSB
CMPSS DAC disturbance time ⁽²⁾			200		ns
VDAC reference voltage	When VDAC is reference	2.4	2.5 or 3.0	V_{DDA}	V
VDAC load ⁽³⁾	When VDAC is reference		6		k Ω

- (1) Includes comparator input referred errors.
- (2) Disturbance error may be present on the CMPSS DAC output for a certain amount of time after a comparator trip.
- (3) Per active CMPSS module.

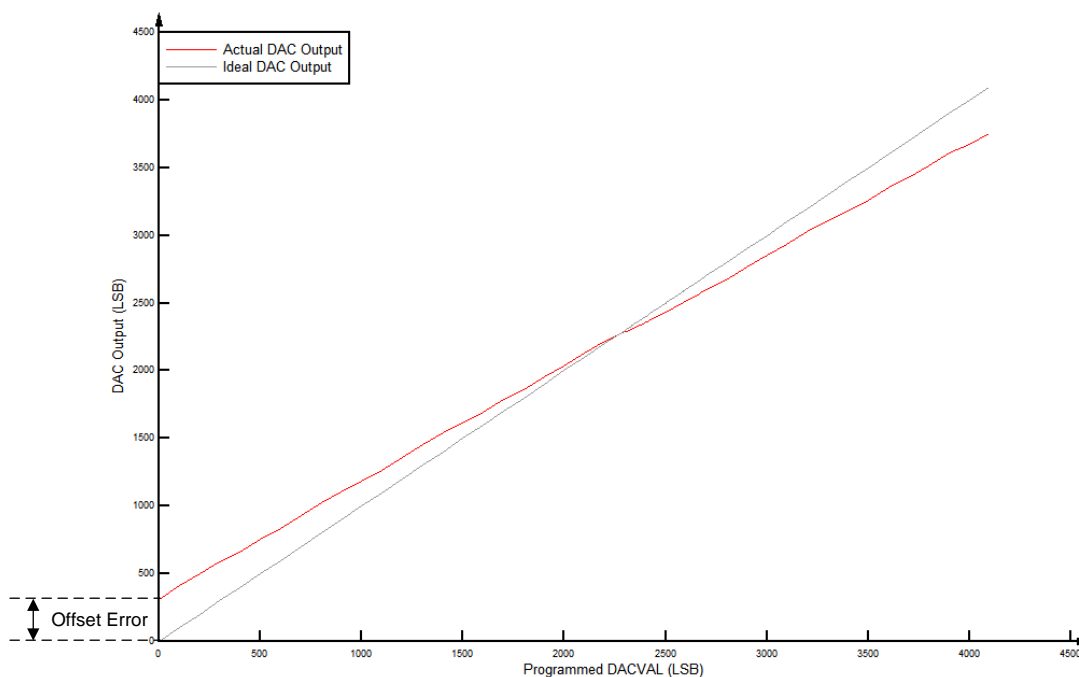


Figure 5-36. CMPSS DAC Static Offset

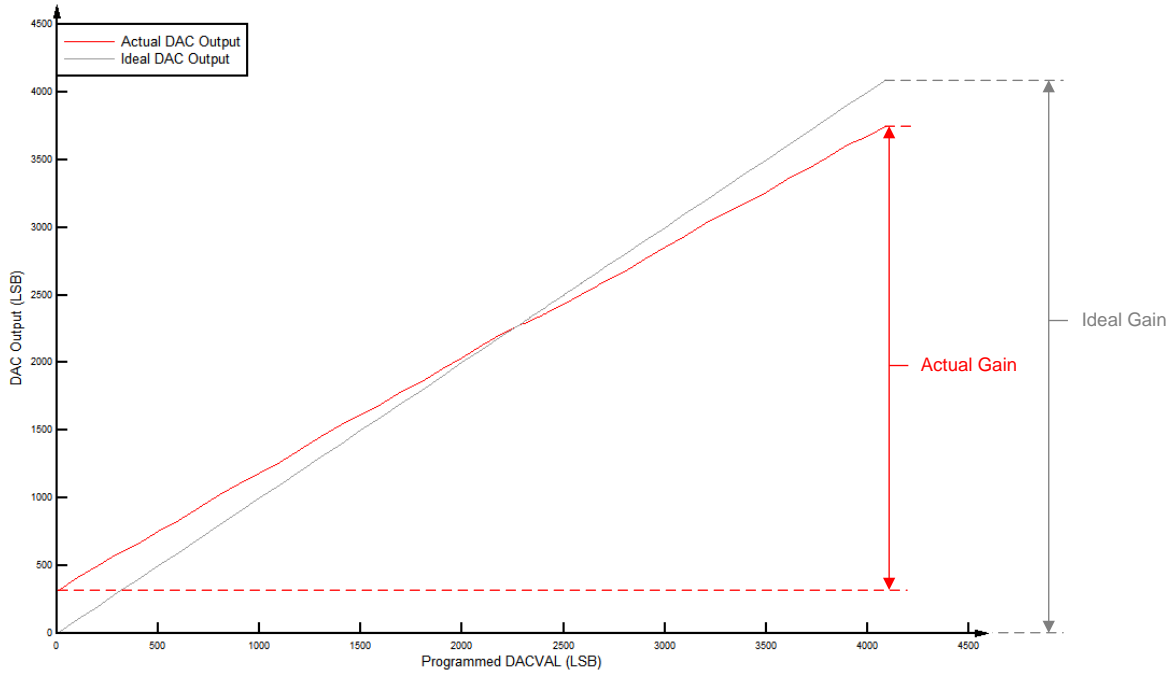


Figure 5-37. CMPSS DAC Static Gain

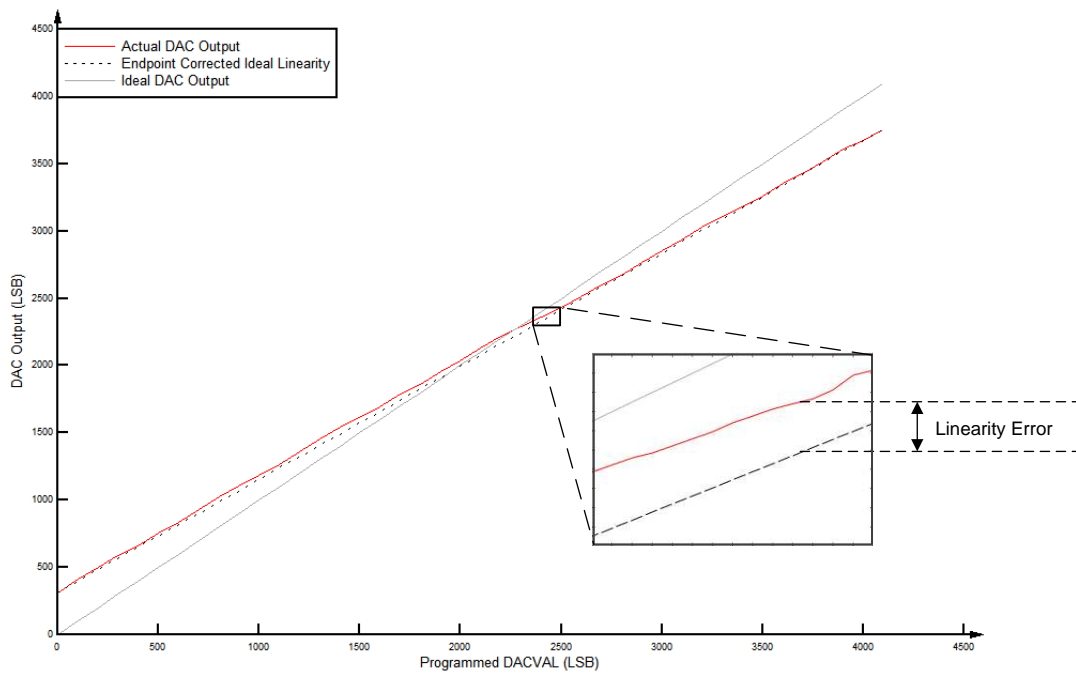


Figure 5-38. CMPSS DAC Static Linearity

5.8.3 Buffered Digital-to-Analog Converter (DAC)

The buffered DAC module consists of an internal reference DAC and an analog output buffer that is capable of driving an external load. An integrated pulldown resistor on the DAC output helps to provide a known pin voltage when the output buffer is disabled. This pulldown resistor cannot be disabled and remains as a passive component on the pin, even for other shared pin mux functions. Software writes to the DAC value register can take effect immediately or can be synchronized with PWMSYNC events.

Each buffered DAC has the following features:

- 12-bit programmable internal DAC
- Selectable reference voltage
- Pulldown resistor on output
- Ability to synchronize with PWMSYNC

The block diagram for the buffered DAC is shown in Figure 5-39.

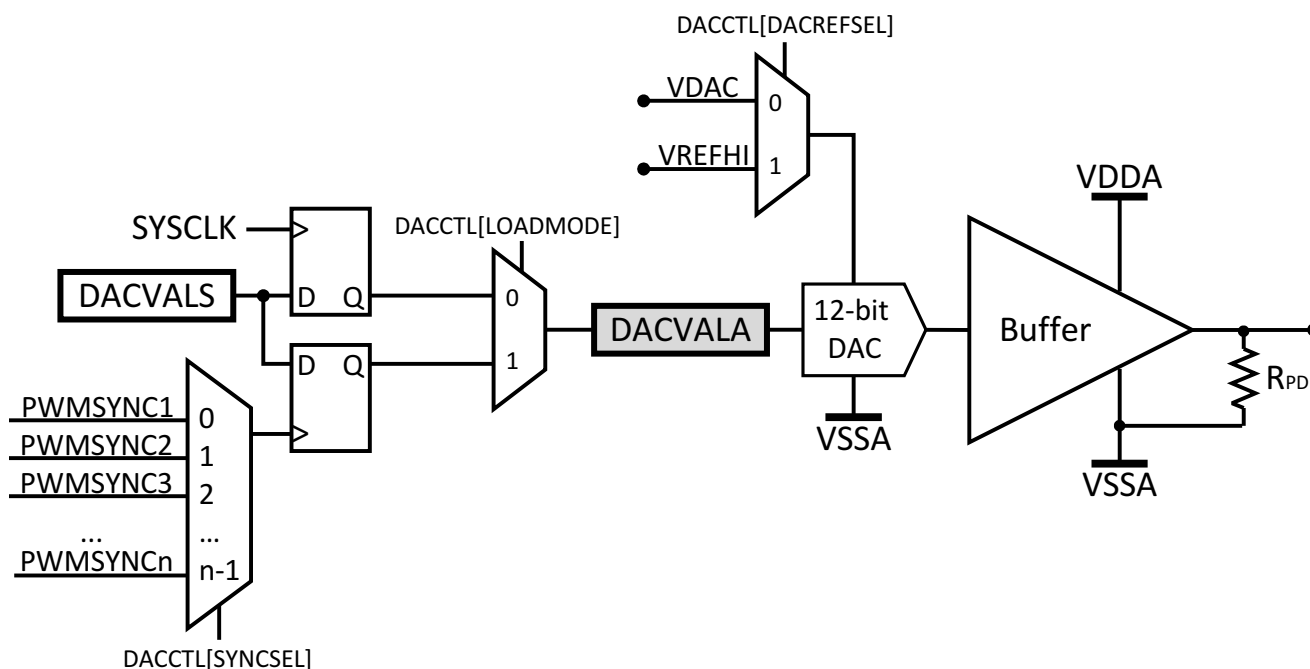


Figure 5-39. DAC Module Block Diagram

5.8.3.1 Buffered DAC Electrical Data and Timing

Table 5-52 shows the buffered DAC electrical characteristics. Figure 5-40 shows the buffered DAC offset. Figure 5-41 shows the buffered DAC gain. Figure 5-42 shows the buffered DAC linearity.

Table 5-52. Buffered DAC Electrical Characteristics

over recommended operating conditions (unless otherwise noted)⁽¹⁾

PARAMETER	TEST CONDITIONS	MIN	TYP	MAX	UNIT
Power-up time (DACOUTEN to DAC output valid)				10	μs
Trimmed offset error	Midpoint	-10		10	mV
Gain error ⁽²⁾		-2.5		2.5	% of FSR
DNL ⁽³⁾	Endpoint corrected	> -1		1	LSB
INL	Endpoint corrected	-5		5	LSB
DACOUTx settling time	Settling to 2 LSBs after 0.3V-to-3V transition		2		μs
Resolution			12		bits
Voltage output range ⁽⁴⁾		0.3		V _{DDA} - 0.3	V
Capacitive load	Output drive capability			100	pF
Resistive load	Output drive capability	5			kΩ
R _{PD}			50		kΩ
Reference voltage ⁽⁵⁾	VDAC or V _{REFHI}	2.4	2.5 or 3.0	V _{DDA}	V
Reference load ⁽⁶⁾	VDAC or V _{REFHI}		170		kΩ
Output noise	Integrated noise from 100 Hz to 100 kHz		500		μVrms
	Noise density at 10 kHz		711		nVrms/√Hz
Glitch energy			1.5		V-ns
PSRR ⁽⁷⁾	DC up to 1 kHz		70		dB
	100 kHz		30		
SNR	1020 Hz		67		dB
THD	1020 Hz		-63		dB
SFDR	1020 Hz, including harmonics and spurs		66		dBc
	1020 Hz, including only spurs		104		

(1) Typical values are measured with V_{REFHI} = 3.3 V and V_{REFLO} = 0 V unless otherwise noted. Minimum and Maximum values are tested or characterized with V_{REFHI} = 2.5 V and V_{REFLO} = 0 V.

(2) Gain error is calculated for linear output range.

(3) The DAC output is monotonic.

(4) This is the linear output range of the DAC. The DAC can generate voltages outside this range, but the output voltage will not be linear due to the buffer.

(5) For best PSRR performance, VDAC or V_{REFHI} should be less than V_{DDA}.

(6) Per active Buffered DAC module.

(7) V_{REFHI} = 3.2 V, V_{DDA} = 3.3 V DC + 100 mV Sine.

NOTE

The VDAC pin must be kept below V_{DDA} + 0.3 V to ensure proper functional operation. If the VDAC pin exceeds this level, a blocking circuit may activate, and the internal value of VDAC may float to 0 V internally, giving improper DAC output.

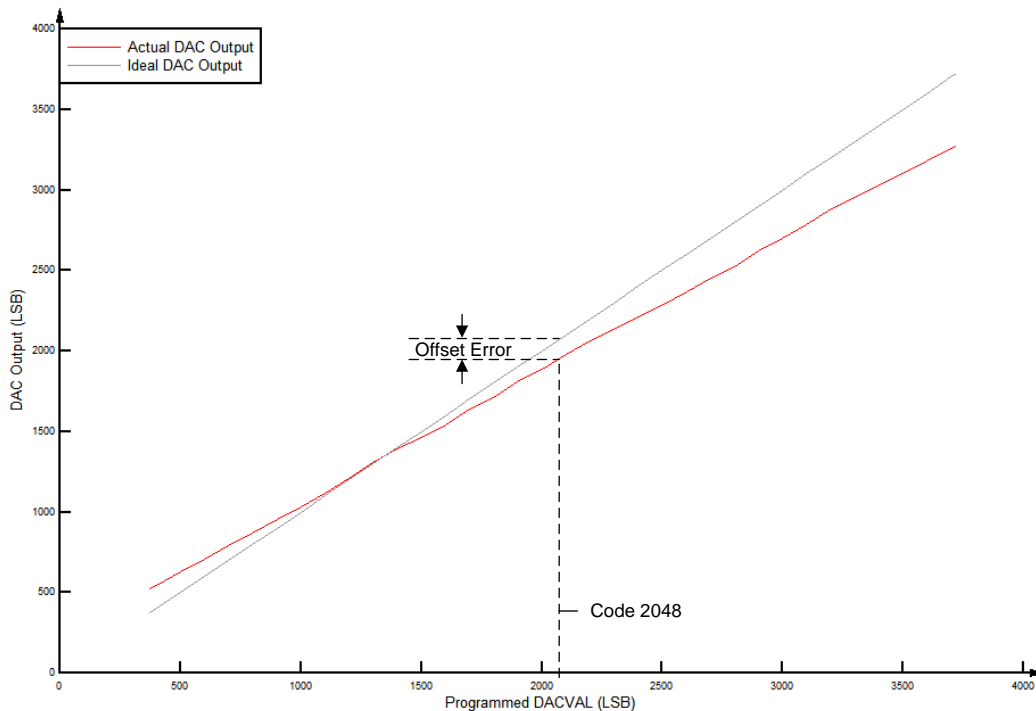


Figure 5-40. Buffered DAC Offset

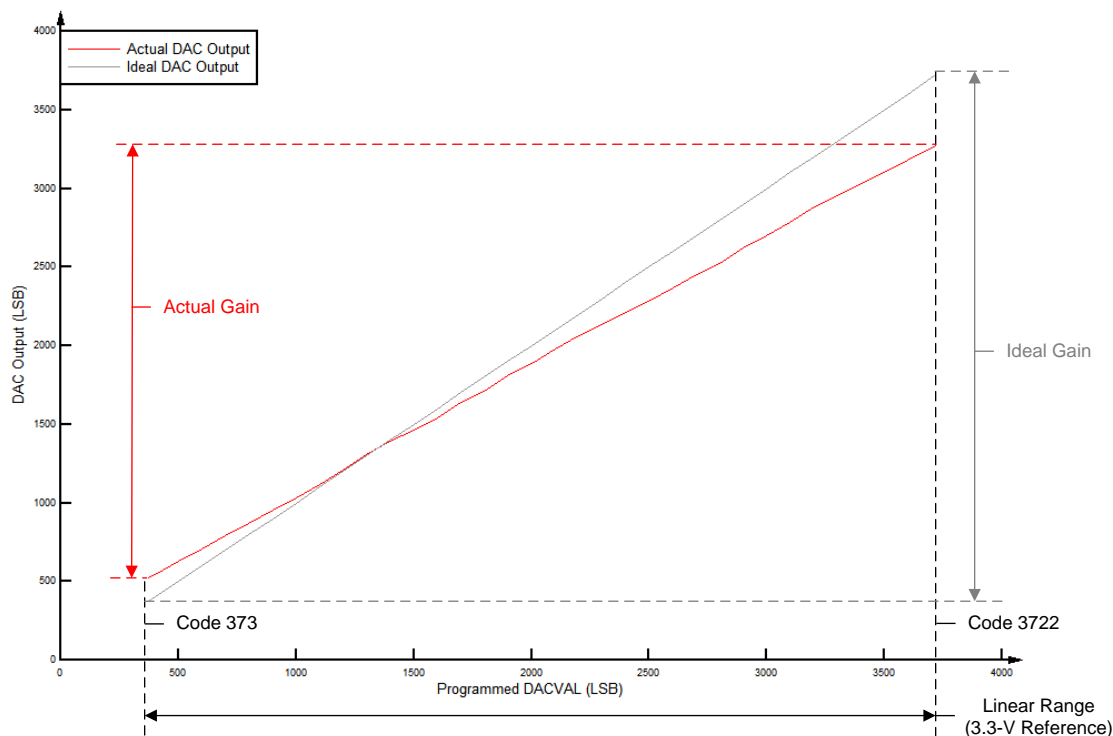


Figure 5-41. Buffered DAC Gain

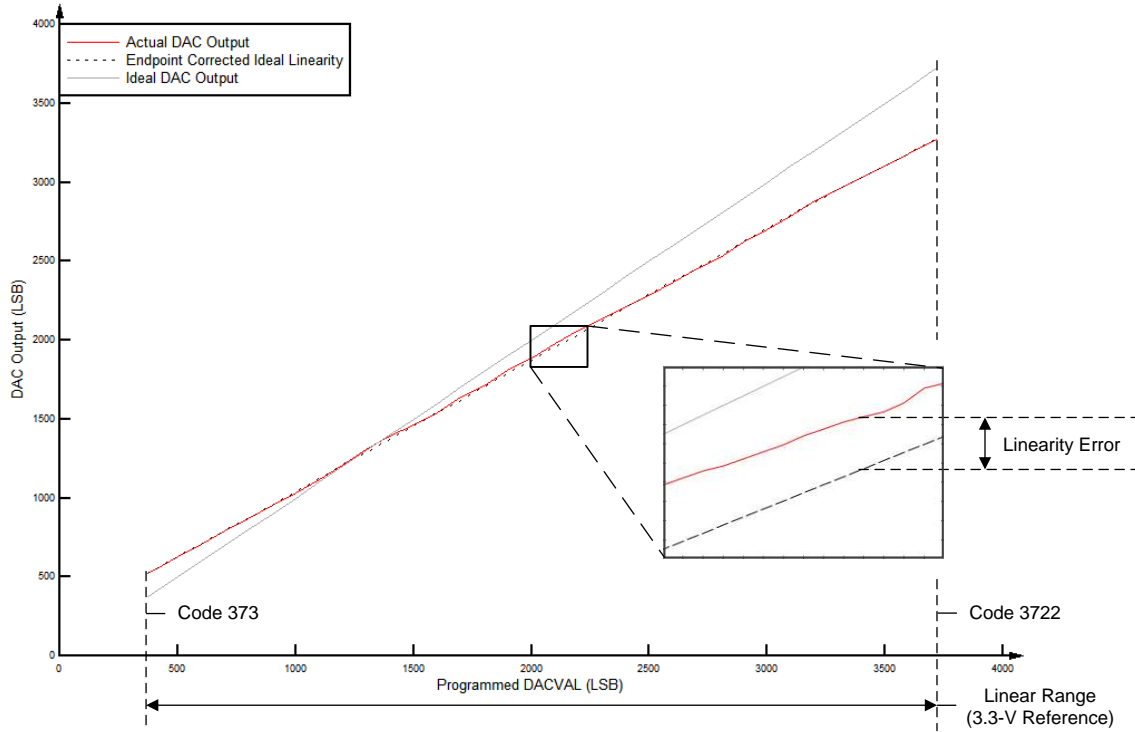


Figure 5-42. Buffered DAC Linearity

5.9 Control Peripherals

NOTE

For the actual number of each peripheral on a specific device, see [Table 3-1](#).

5.9.1 Enhanced Capture (eCAP)

The eCAP module can be used in systems where accurate timing of external events is important.

Applications for eCAP include:

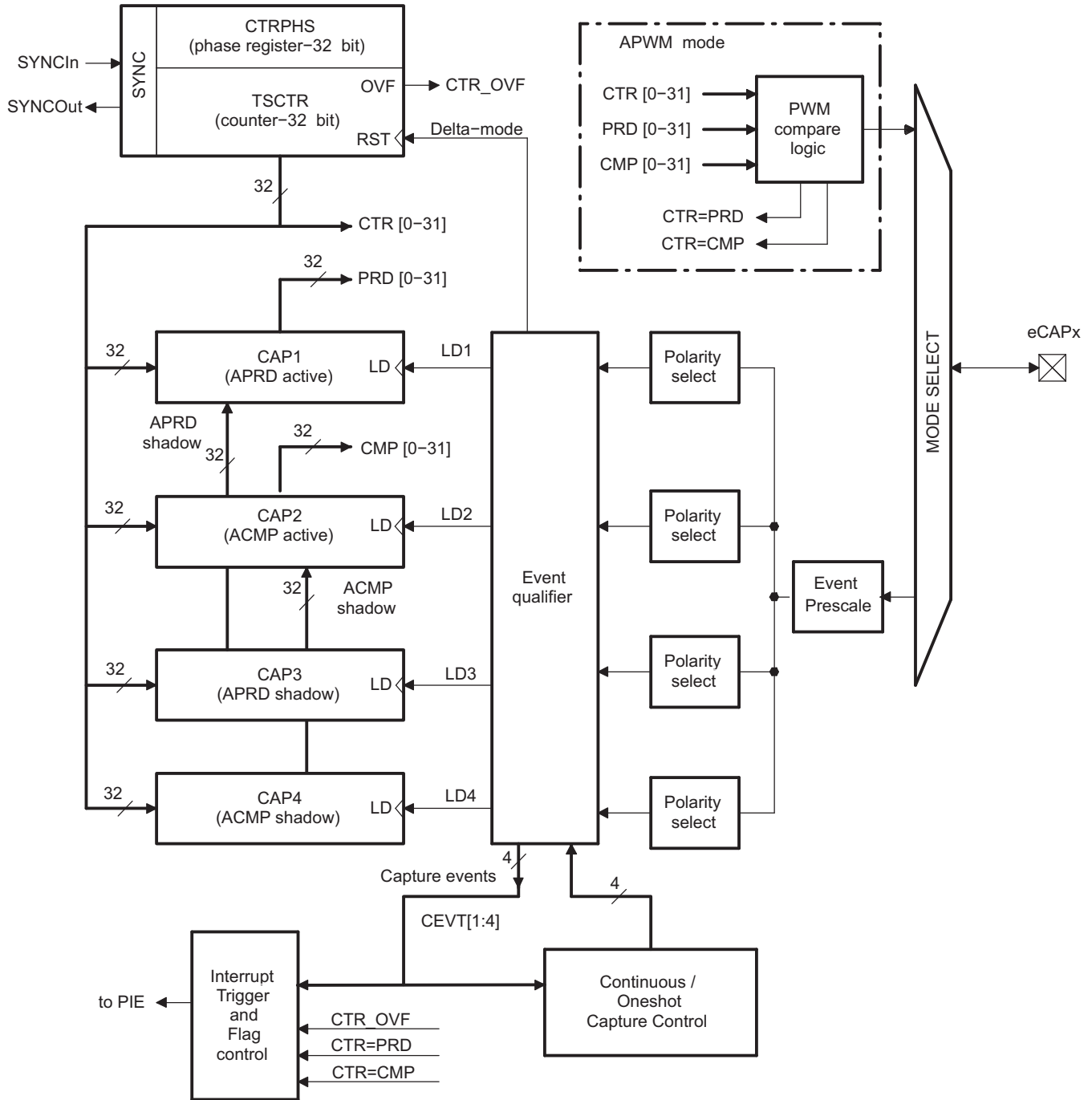
- Speed measurements of rotating machinery (for example, toothed sprockets sensed through Hall sensors)
- Elapsed time measurements between position sensor pulses
- Period and duty cycle measurements of pulse train signals
- Decoding current or voltage amplitude derived from duty cycle encoded current/voltage sensors

The eCAP module includes the following features:

- 4-event time-stamp registers (each 32 bits)
- Edge-polarity selection for up to four sequenced time-stamp capture events
- Interrupt on either of the four events
- Single shot capture of up to four event timestamps
- Continuous mode capture of timestamps in a four-deep circular buffer
- Absolute time-stamp capture
- Difference (Delta) mode time-stamp capture
- All of the above resources dedicated to a single input pin
- When not used in capture mode, the eCAP module can be configured as a single-channel PWM output (APWM).

The eCAP inputs connect to any GPIO input through the Input X-BAR. The APWM outputs connect to GPIO pins through the Output X-BAR to OUTPUTx positions in the GPIO mux. See [Section 4.5.2](#) and [Section 4.5.3](#).

[Figure 5-43](#) shows the block diagram of an eCAP module.



Copyright © 2016, Texas Instruments Incorporated

Figure 5-43. eCAP Block Diagram

The eCAP module is clocked by PERx.SYSCLK.

The clock enable bits (ECAP1–ECAP6) in the PCLKCR3 register turn off the eCAP module individually (for low-power operation). Upon reset, ECAP1ENCLK is set to low, indicating that the peripheral clock is off.

5.9.1.1 eCAP Electrical Data and Timing

[Table 5-53](#) shows the eCAP timing requirement and [Table 5-54](#) shows the eCAP switching characteristics.

Table 5-53. eCAP Timing Requirement⁽¹⁾

		MIN	MAX	UNIT
$t_{w(CAP)}$	Capture input pulse width			
	Asynchronous	$2t_{c(SYSCLK)}$		cycles
	Synchronous	$2t_{c(SYSCLK)}$		cycles
	With input qualifier	$1t_{c(SYSCLK)} + t_{w(IQSW)}$		cycles

(1) For an explanation of the input qualifier parameters, see [Table 5-26](#).

Table 5-54. eCAP Switching Characteristics

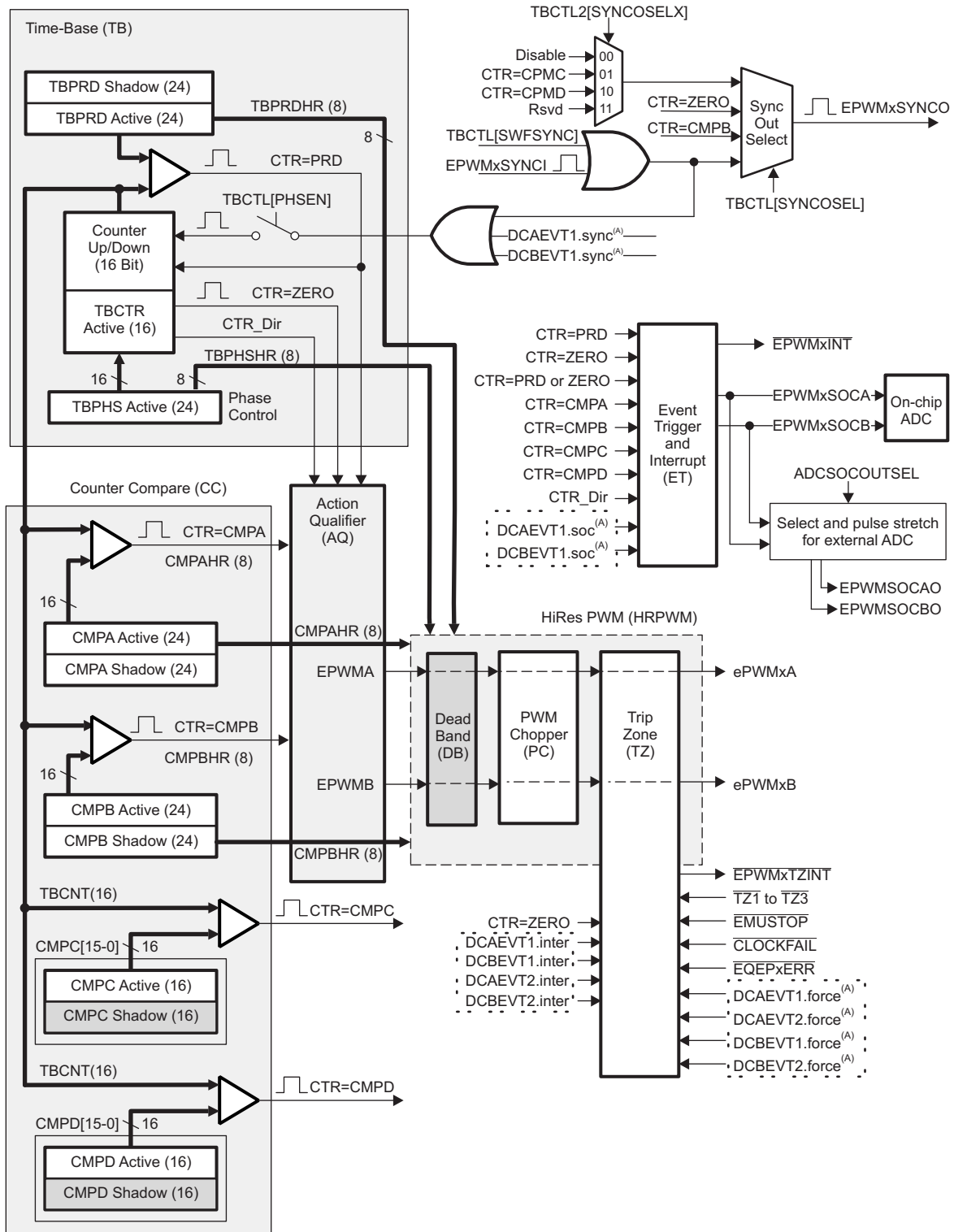
over recommended operating conditions (unless otherwise noted)

PARAMETER		MIN	MAX	UNIT
$t_{w(APWM)}$	Pulse duration, APWMx output high/low	20		ns

5.9.2 Enhanced Pulse Width Modulator (ePWM)

The ePWM peripheral is a key element in controlling many of the power electronic systems found in both commercial and industrial equipment. The ePWM type-4 module is able to generate complex pulse width waveforms with minimal CPU overhead by building the peripheral up from smaller modules with separate resources that can operate together to form a system. Some of the highlights of the ePWM type-4 module include complex waveform generation, dead-band generation, a flexible synchronization scheme, advanced trip-zone functionality, and global register reload capabilities.

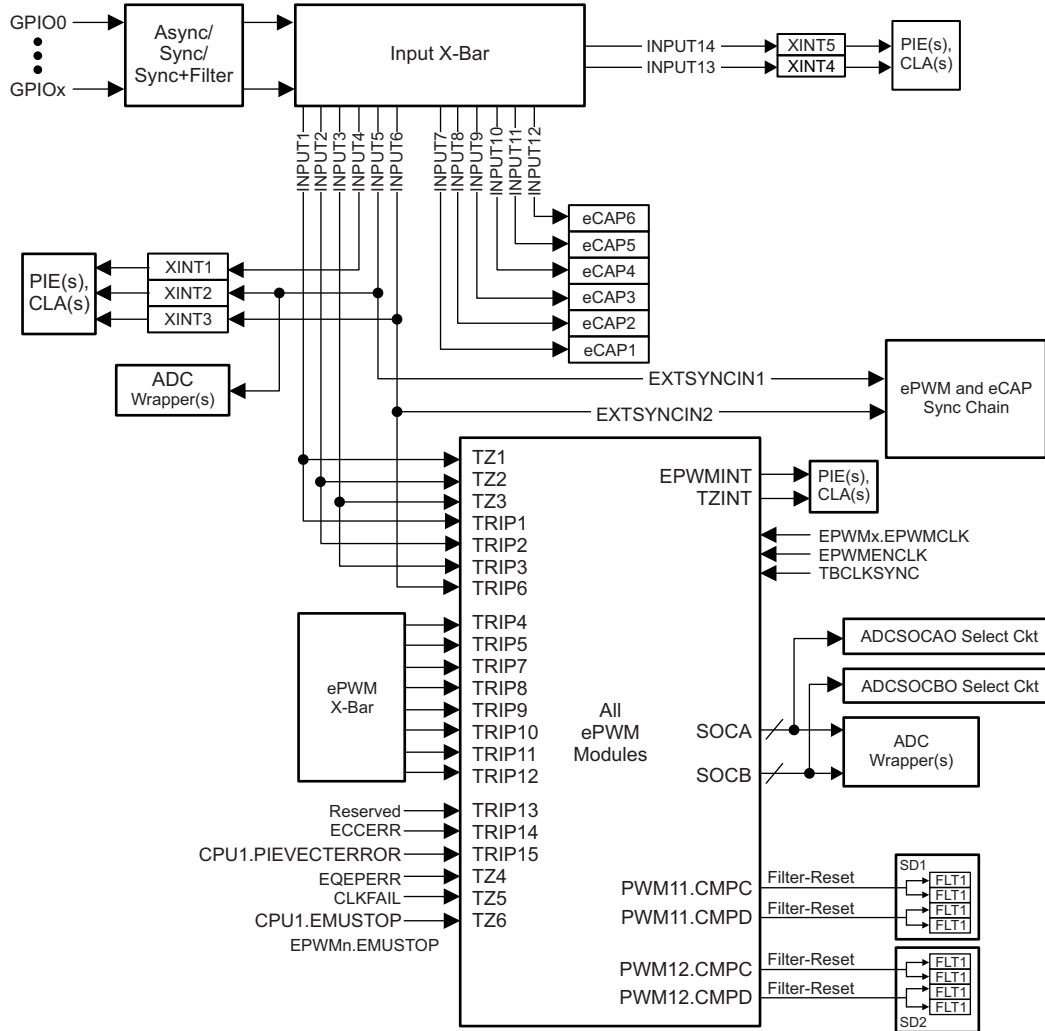
[Figure 5-44](#) shows the signal interconnections with the ePWM. [Figure 5-45](#) shows the ePWM trip input connectivity.



Copyright © 2016, Texas Instruments Incorporated

A. These events are generated by the ePWM digital compare (DC) submodule based on the levels of the TRIPIN inputs.

Figure 5-44. ePWM Submodules and Critical Internal Signal Interconnects



Copyright © 2016, Texas Instruments Incorporated

Figure 5-45. ePWM Trip Input Connectivity

5.9.2.1 Control Peripherals Synchronization

The ePWM and eCAP synchronization chain allows synchronization between multiple modules for the system. Figure 5-46 shows the synchronization chain architecture.

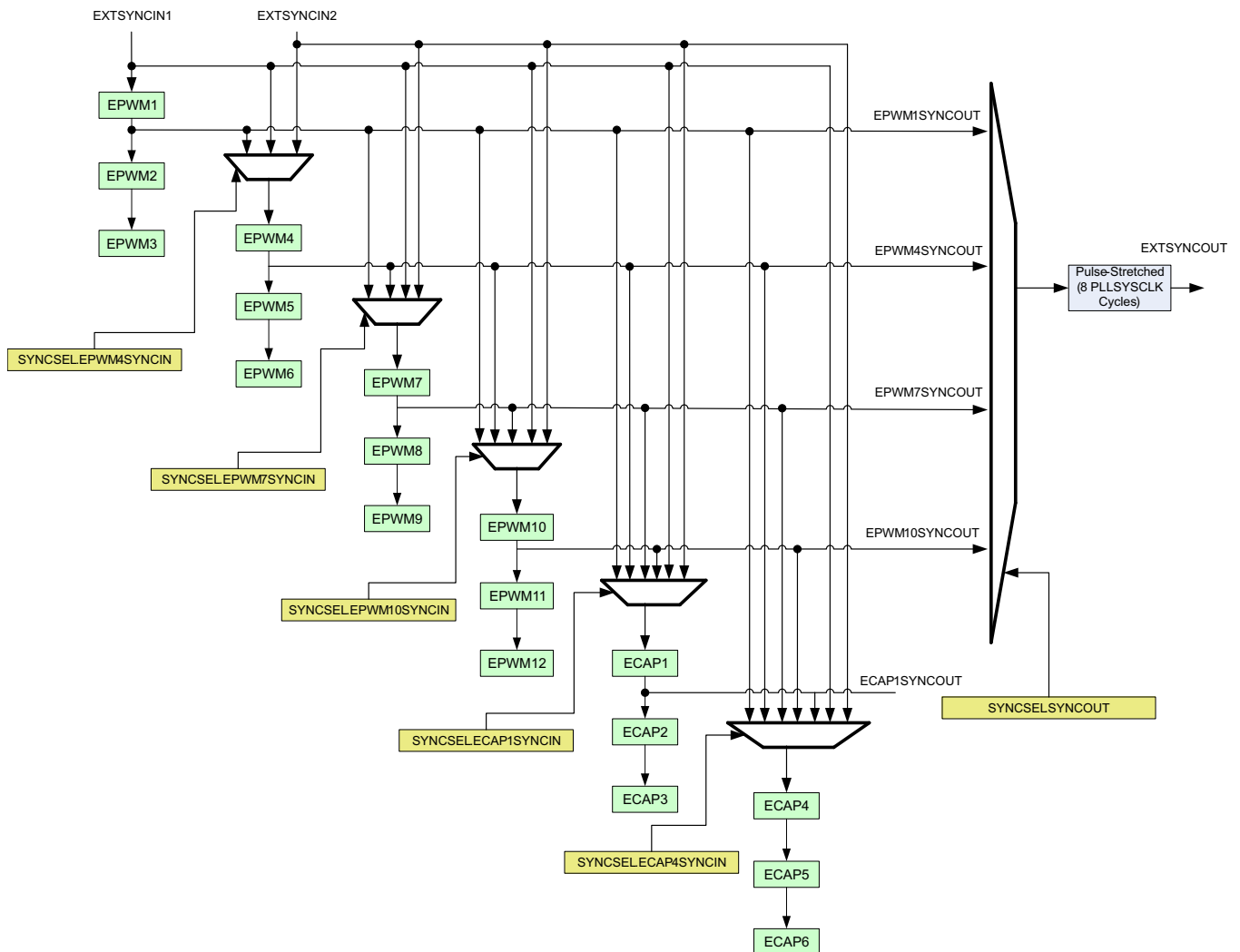


Figure 5-46. Synchronization Chain Architecture

5.9.2.2 ePWM Electrical Data and Timing

Table 5-55 shows the PWM timing requirements and Table 5-56 shows the PWM switching characteristics.

Table 5-55. ePWM Timing Requirements⁽¹⁾

		MIN	MAX	UNIT
$t_{w(\text{SYNCIN})}$	Sync input pulse width			
	Asynchronous	$2t_{c(\text{EPWMCLK})}$		cycles
	Synchronous	$2t_{c(\text{EPWMCLK})}$		cycles
	With input qualifier	$1t_{c(\text{EPWMCLK})} + t_{w(\text{IQSW})}$		cycles

(1) For an explanation of the input qualifier parameters, see Table 5-26.

Table 5-56. ePWM Switching Characteristics

over recommended operating conditions (unless otherwise noted)

PARAMETER		MIN	MAX	UNIT
$t_{w(\text{PWM})}$	Pulse duration, PWMx output high/low	20		ns
$t_{w(\text{SYNCOUT})}$	Sync output pulse width	$8t_{c(\text{SYSCLK})}$		cycles
$t_{d(\text{TZ-PWM})}$	Delay time, trip input active to PWM forced high Delay time, trip input active to PWM forced low Delay time, trip input active to PWM Hi-Z		25	ns

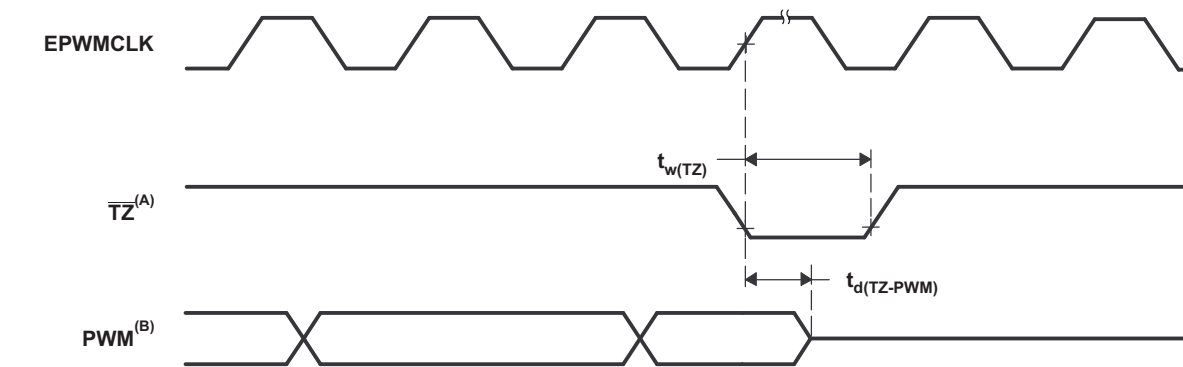
5.9.2.2.1 Trip-Zone Input Timing

Table 5-57 shows the trip-zone input timing requirements. Figure 5-47 shows the PWM Hi-Z characteristics.

Table 5-57. Trip-Zone Input Timing Requirements⁽¹⁾

		MIN	MAX	UNIT
$t_{w(\text{TZ})}$	Pulse duration, $\overline{\text{TZx}}$ input low			
	Asynchronous	$1t_{c(\text{EPWMCLK})}$		cycles
	Synchronous	$2t_{c(\text{EPWMCLK})}$		cycles
	With input qualifier	$1t_{c(\text{EPWMCLK})} + t_{w(\text{IQSW})}$		cycles

(1) For an explanation of the input qualifier parameters, see Table 5-26.



- A. $\overline{\text{TZ}}$: $\overline{\text{TZ1}}$, $\overline{\text{TZ2}}$, $\overline{\text{TZ3}}$, TRIP1–TRIP12
 B. PWM refers to all the PWM pins in the device. The state of the PWM pins after $\overline{\text{TZ}}$ is taken high depends on the PWM recovery software.

Figure 5-47. PWM Hi-Z Characteristics

5.9.2.3 External ADC Start-of-Conversion Electrical Data and Timing

Table 5-58 shows the external ADC start-of-conversion switching characteristics. Figure 5-48 shows the ADCSOCAO or ADCSOCBO timing.

Table 5-58. External ADC Start-of-Conversion Switching Characteristics

over recommended operating conditions (unless otherwise noted)

PARAMETER	MIN	MAX	UNIT
$t_{w(ADCSOCL)}$ Pulse duration, $\overline{ADCSOCxO}$ low	$32t_{c(SYSCLK)}$		cycles

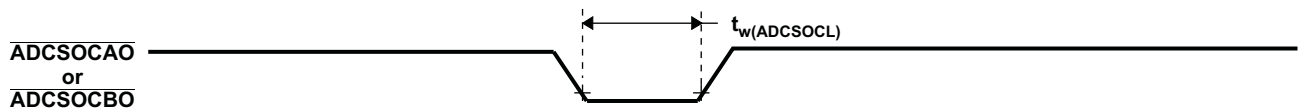


Figure 5-48. ADCSOCAO or ADCSOCBO Timing

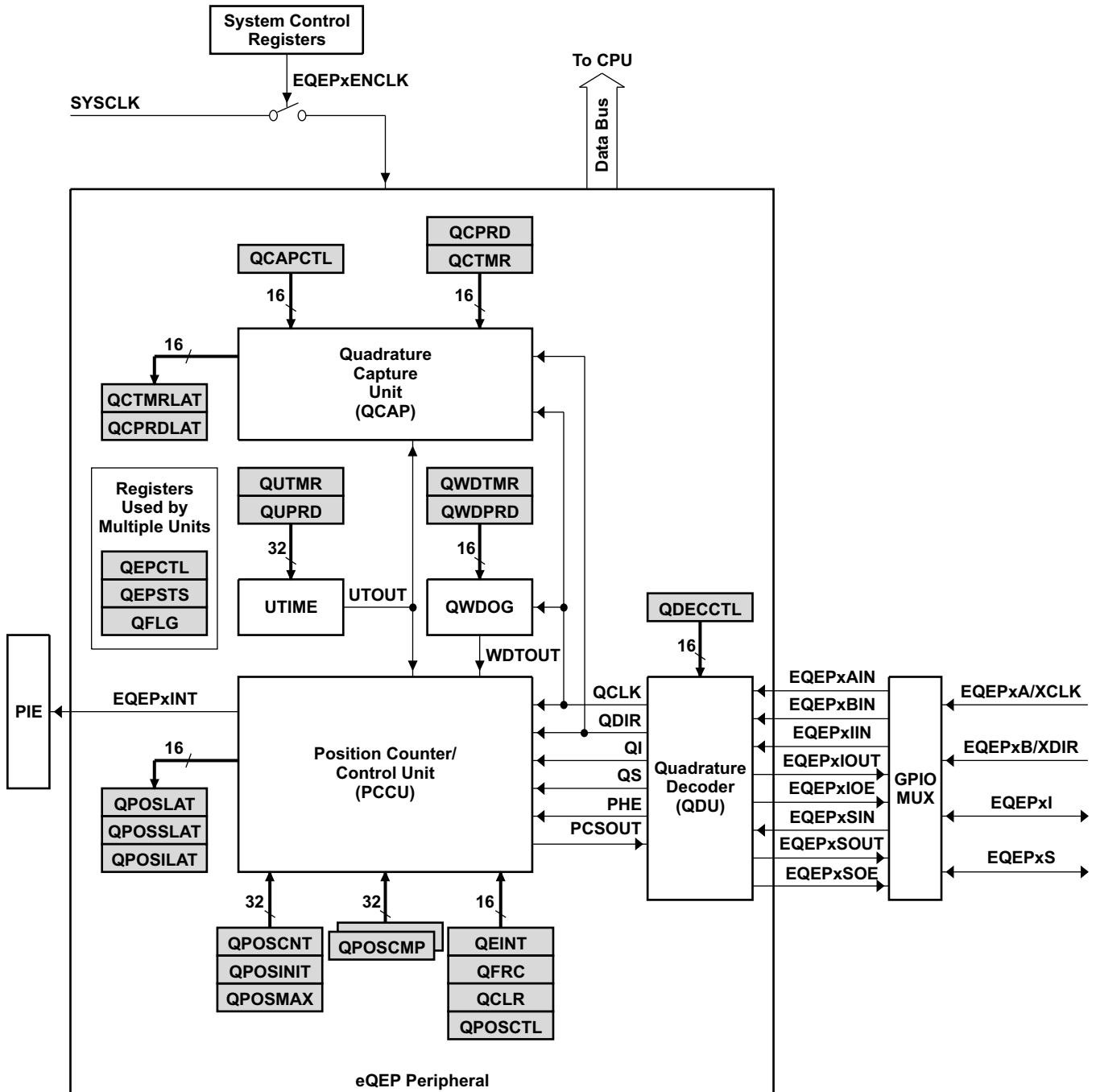
5.9.3 Enhanced Quadrature Encoder Pulse (eQEP)

The eQEP module interfaces directly with linear or rotary incremental encoders to obtain position, direction, and speed information from rotating machines used in high-performance motion and position-control systems.

Each eQEP peripheral comprises five major functional blocks:

- Quadrature Capture Unit (QCAP)
- Position Counter/Control Unit (PCCU)
- Quadrature Decoder Unit (QDU)
- Unit Time Base for speed and frequency measurement (UTIME)
- Watchdog timer for detecting stalls (QWDOG)

The eQEP peripherals are clocked by PERx.SYSCLK. [Figure 5-49](#) shows the eQEP block diagram.



Copyright © 2016, Texas Instruments Incorporated

Figure 5-49. eQEP Block Diagram

5.9.3.1 eQEP Electrical Data and Timing

Table 5-59 lists the eQEP timing requirement and Table 5-60 lists the eQEP switching characteristics.

Table 5-59. eQEP Timing Requirements⁽¹⁾

			MIN	MAX	UNIT
$t_{w(QEPP)}$	QEP input period	Synchronous	$2t_{c(SYSCLK)}$		cycles
		With input qualifier	$2[1t_{c(SYSCLK)} + t_{w(IQSW)}]$		cycles
$t_{w(INDEXH)}$	QEP Index Input High time	Synchronous	$2t_{c(SYSCLK)}$		cycles
		With input qualifier	$2t_{c(SYSCLK)} + t_{w(IQSW)}$		cycles
$t_{w(INDEXL)}$	QEP Index Input Low time	Synchronous	$2t_{c(SYSCLK)}$		cycles
		With input qualifier	$2t_{c(SYSCLK)} + t_{w(IQSW)}$		cycles
$t_{w(STROBH)}$	QEP Strobe High time	Synchronous	$2t_{c(SYSCLK)}$		cycles
		With input qualifier	$2t_{c(SYSCLK)} + t_{w(IQSW)}$		cycles
$t_{w(STROBL)}$	QEP Strobe Input Low time	Synchronous	$2t_{c(SYSCLK)}$		cycles
		With input qualifier	$2t_{c(SYSCLK)} + t_{w(IQSW)}$		cycles

(1) For an explanation of the input qualifier parameters, see Table 5-26.

Table 5-60. eQEP Switching Characteristics

over recommended operating conditions (unless otherwise noted)

PARAMETER		MIN	MAX	UNIT
$t_{d(CNTR)xin}$	Delay time, external clock to counter increment		$4t_{c(SYSCLK)}$	cycles
$t_{d(PCS-OUT)QEP}$	Delay time, QEP input edge to position compare sync output		$6t_{c(SYSCLK)}$	cycles

5.9.4 High-Resolution Pulse Width Modulator (HRPWM)

The HRPWM combines multiple delay lines in a single module and a simplified calibration system by using a dedicated calibration delay line. For each ePWM module, there are two HR outputs:

- HR Duty and Deadband control on Channel A
- HR Duty and Deadband control on Channel B

The HRPWM module offers PWM resolution (time granularity) that is significantly better than what can be achieved using conventionally derived digital PWM methods. The key points for the HRPWM module are:

- Significantly extends the time resolution capabilities of conventionally derived digital PWM
- This capability can be used in both single edge (duty cycle and phase-shift control) as well as dual edge control for frequency/period modulation.
- Finer time granularity control or edge positioning is controlled through extensions to the Compare A, B, phase, period and deadband registers of the ePWM module.

NOTE

The minimum HRPWMCLK frequency allowed for HRPWM is 60 MHz.

5.9.4.1 HRPWM Electrical Data and Timing

Table 5-61 lists the high-resolution PWM switching characteristics.

Table 5-61. High-Resolution PWM Characteristics

PARAMETER	MIN	TYP	MAX	UNIT
Micro Edge Positioning (MEP) step size ⁽¹⁾		150	310	ps

- (1) Maximum MEP step size is based on worst-case process, maximum temperature and minimum voltage. MEP step size will increase with low voltage and high temperature and decrease with voltage and cold temperature. Applications that use the HRPWM feature should use MEP Scale Factor Optimizer (SFO) estimation software functions. See the TI software libraries for details of using SFO function in end applications. SFO functions help to estimate the number of MEP steps per SYSCLK period dynamically while the HRPWM is in operation.

5.9.5 Sigma-Delta Filter Module (SDFM)

The SDFM is a four-channel digital filter designed specifically for current measurement and resolver position decoding in motor control applications. Each channel can receive an independent sigma-delta ($\Sigma\Delta$) modulated bit stream. The bit streams are processed by four individually programmable digital decimation filters. The filter set includes a fast comparator for immediate digital threshold comparisons for overcurrent and undercurrent monitoring. [Figure 5-50](#) shows a block diagram of the SDFMs.

SDFM features include:

- Eight external pins per SDFM module:
 - Four sigma-delta data input pins per SDFM module (SDx_Dy, where x = 1 to 2 and y = 1 to 4)
 - Four sigma-delta clock input pins per SDFM module (SDx_Cy, where x = 1 to 2 and y = 1 to 4)
- Four different configurable modulator clock modes:
 - Modulator clock rate equals modulator data rate
 - Modulator clock rate running at half the modulator data rate
 - Modulator data is Manchester encoded. Modulator clock not required.
 - Modulator clock rate is double that of modulator data rate
- Four independent configurable comparator units:
 - Four different filter type selection (Sinc1/Sinc2/Sincfast/Sinc3) options available
 - Ability to detect over-value and under-value conditions
 - Comparator Over-Sampling Ratio (COSR) value for comparator programmable from 1 to 32
- Four independent configurable data filter units:
 - Four different filter type selection (Sinc1/Sinc2/Sincfast/Sinc3) options available
 - Data filter Over-Sampling Ratio (DOSR) value for data filter unit programmable from 1 to 256
 - Ability to enable or disable individual filter module
 - Ability to synchronize all four independent filters of a SDFM module using the Master Filter Enable (MFE) bit or the PWM signals.
- Filter data can be 16-bit or 32-bit representation
- PWMs can be used to generate modulator clock for sigma-delta modulators

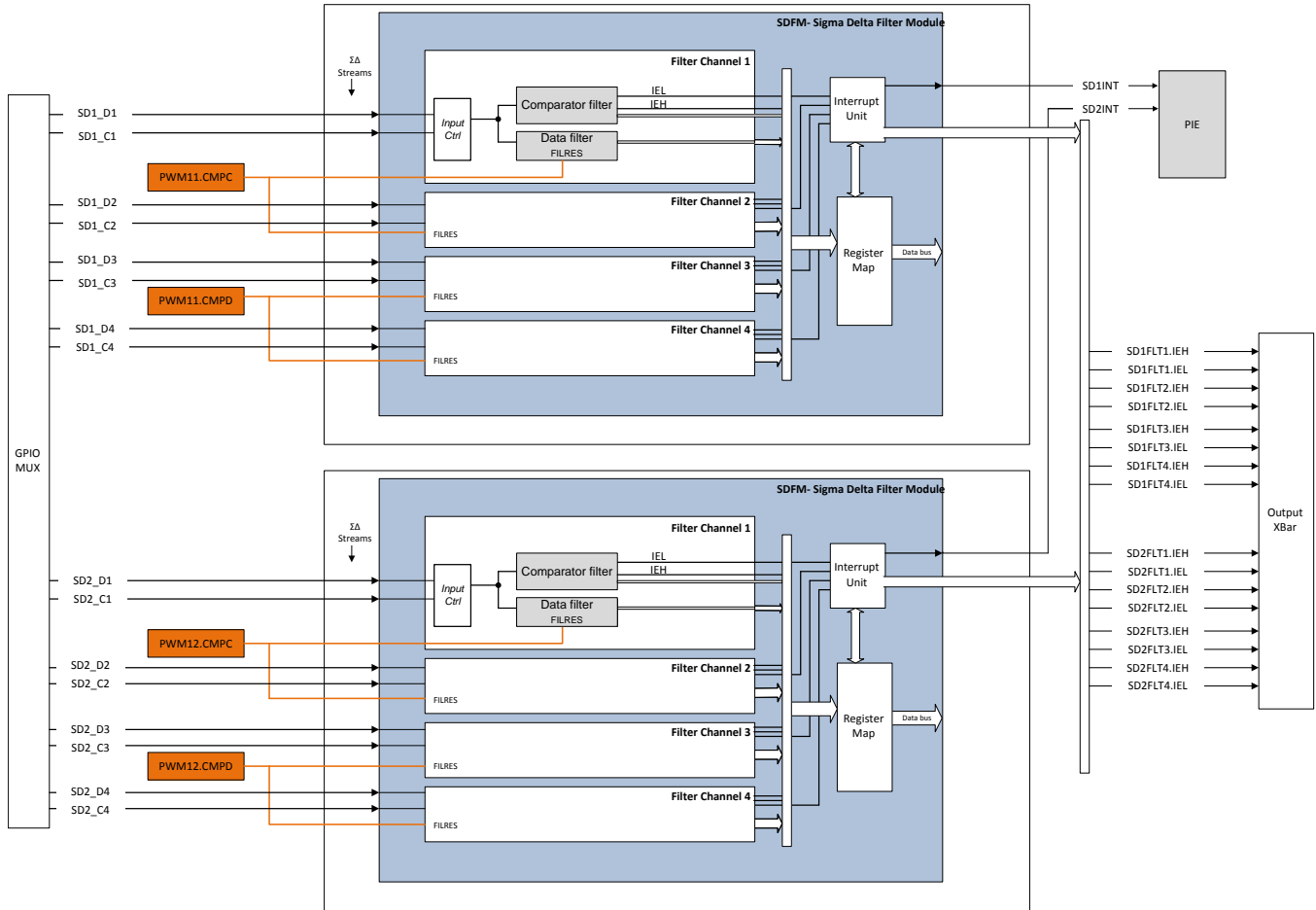


Figure 5-50. SDFM Block Diagram

5.9.5.1 SDFM Electrical Data and Timing

Table 5-62 shows the SDFM timing requirements. Figure 5-51 through Figure 5-54 show the SDFM timing diagrams.

Table 5-62. SDFM Timing Requirements

		MIN	MAX	UNIT
Mode 0				
$t_{c(SDC)M0}$	Cycle time, SDx_Cy	40	256 * SYSCLK period	ns
$t_{w(SDCH)M0}$	Pulse duration, SDx_Cy high	10	$t_{c(SDC)M0} - 10$	ns
$t_{su(SDDV-SDCH)M0}$	Setup time, SDx_Dy valid before SDx_Cy goes high	5		ns
$t_h(SDCH-SDD)M0$	Hold time, SDx_Dy wait after SDx_Cy goes high	5		ns
Mode 1				
$t_{c(SDC)M1}$	Cycle time, SDx_Cy	80	256 * SYSCLK period	ns
$t_{w(SDCH)M1}$	Pulse duration, SDx_Cy high	10	$t_{c(SDC)M1} - 10$	ns
$t_{su(SDDV-SDCL)M1}$	Setup time, SDx_Dy valid before SDx_Cy goes low	5		ns
$t_{su(SDDV-SDCH)M1}$	Setup time, SDx_Dy valid before SDx_Cy goes high	5		ns
$t_h(SDCL-SDD)M1$	Hold time, SDx_Dy wait after SDx_Cy goes low	5		ns
$t_h(SDCH-SDD)M1$	Hold time, SDx_Dy wait after SDx_Cy goes high	5		ns
Mode 2				
$t_{c(SDD)M2}$	Cycle time, SDx_Dy	$8 * t_c(SYSCLK)$	$20 * t_c(SYSCLK)$	ns
$t_{w(SDDH)M2}$	Pulse duration, SDx_Dy high	10		ns
Mode 3				
$t_{c(SDC)M3}$	Cycle time, SDx_Cy	40	256 * SYSCLK period	ns
$t_{w(SDCH)M3}$	Pulse duration, SDx_Cy high	10	$t_{c(SDC)M3} - 5$	ns
$t_{su(SDDV-SDCH)M3}$	Setup time, SDx_Dy valid before SDx_Cy goes high	5		ns
$t_h(SDCH-SDD)M3$	Hold time, SDx_Dy wait after SDx_Cy goes high	5		ns

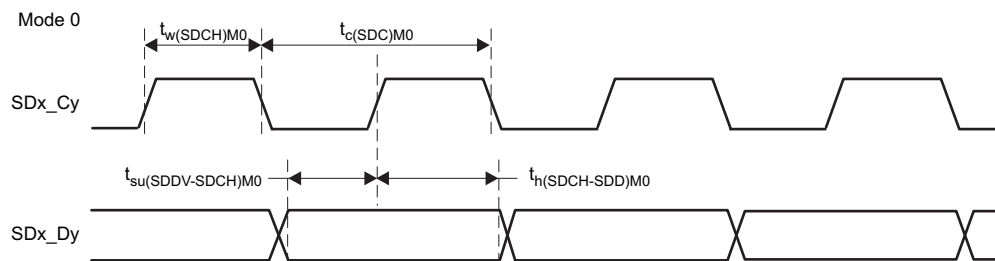


Figure 5-51. SDFM Timing Diagram – Mode 0

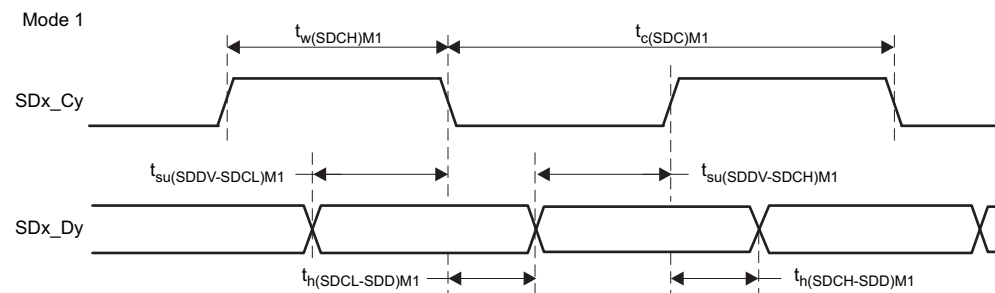


Figure 5-52. SDFM Timing Diagram – Mode 1

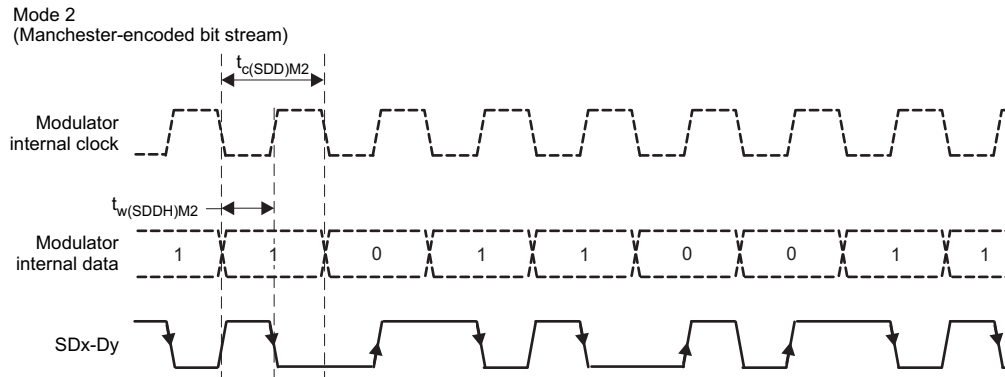


Figure 5-53. SDFM Timing Diagram – Mode 2

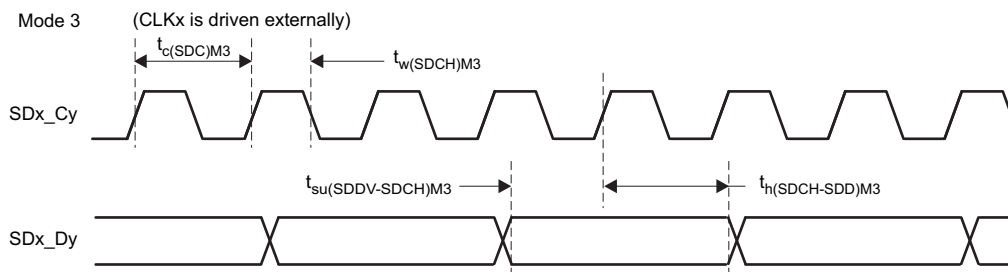


Figure 5-54. SDFM Timing Diagram – Mode 3

5.10 Communications Peripherals

NOTE

For the actual number of each peripheral on a specific device, see [Table 3-1](#).

5.10.1 Controller Area Network (CAN)

NOTE

The CAN module uses the IP known as *D_CAN*. This document uses the names *CAN* and *D_CAN* interchangeably to reference this peripheral.

The CAN module implements the following features:

- Complies with ISO11898-1 (Bosch® CAN protocol specification 2.0 A and B)
 - Bit rates up to 1 Mbps
 - Multiple clock sources
 - 32 message objects, each with the following properties:
 - Configurable as receive or transmit
 - Configurable with standard or extended identifier
 - Programmable receive and identifier masks for each object
 - Supports data and remote frames
 - Holds 0 to 8 bytes of data
 - Parity-checked configuration and data RAM
 - Individual identifier mask for each message object
 - Programmable FIFO mode for receive message objects
 - Programmable loop-back modes for self-test operation
 - Suspend mode for debug support
 - Software module reset
 - Automatic bus on after Bus-Off state by a programmable 32-bit timer
 - Message RAM parity check mechanism
 - Two interrupt lines
 - Global power down and wakeup support
-

NOTE

For a CANx Bit-CLK of 200 MHz, the smallest bit rate possible is 7.8125 kbps.

NOTE

The accuracy of the on-chip zero-pin oscillator is in [Table 5-18](#), Internal Oscillator Electrical Characteristics. Depending on parameters such as the CAN bit timing settings, bit rate, bus length, and propagation delay, the accuracy of this oscillator may not meet the requirements of the CAN protocol. In this situation, an external clock source must be used.

5.10.2 Inter-Integrated Circuit (I²C)

The I²C module has the following features:

- Compliance with the Philips Semiconductors I²C-bus specification (version 2.1):
 - Support for 1-bit to 8-bit format transfers
 - 7-bit and 10-bit addressing modes
 - General call
 - START byte mode
 - Support for multiple master-transmitters and slave-receivers
 - Support for multiple slave-transmitters and master-receivers
 - Combined master transmit/receive and receive/transmit mode
 - Data transfer rate of from 10 kbps up to 400 kbps (I²C Fast-mode rate)
- One 16-byte receive FIFO and one 16-byte transmit FIFO
- One interrupt that can be used by the CPU. This interrupt can be generated as a result of one of the following conditions:
 - Transmit-data ready
 - Receive-data ready
 - Register-access ready
 - No-acknowledgment received
 - Arbitration lost
 - Stop condition detected
 - Addressed as slave
- An additional interrupt that can be used by the CPU when in FIFO mode
- Module enable/disable capability
- Free data format mode

Figure 5-55 shows how the I²C peripheral module interfaces within the device.

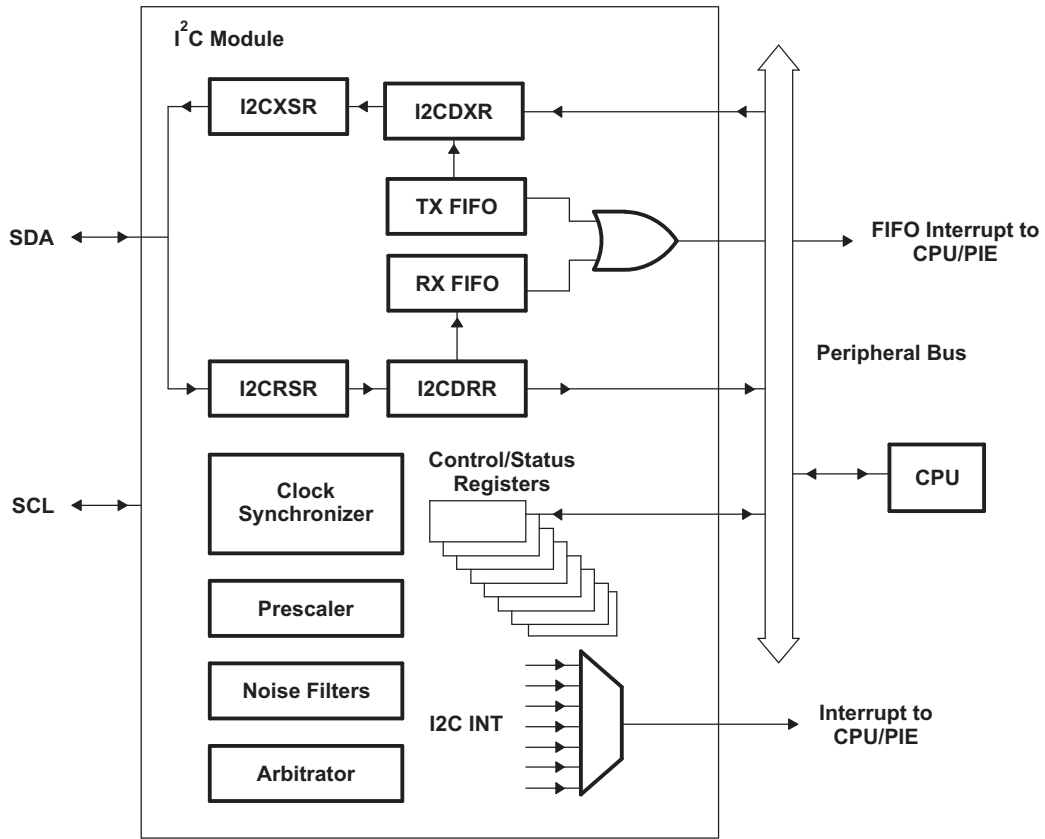


Figure 5-55. I²C Peripheral Module Interfaces

5.10.2.1 I²C Electrical Data and Timing

Table 5-63 shows the I²C timing requirements. Table 5-64 shows the I²C switching characteristics.

Table 5-63. I²C Timing Requirements

			MIN	MAX	UNIT
$t_{h(SDA-SCL)START}$	Hold time, START condition, SCL fall delay after SDA fall		0.6		μs
$t_{su(SCL-SDA)START}$	Setup time, Repeated START, SCL rise before SDA fall delay		0.6		μs
$t_{h(SCL-DAT)}$	Hold time, data after SCL fall		0		μs
$t_{su(DAT-SCL)}$	Setup time, data before SCL rise		100		ns
$t_{r(SDA)}$	Rise time, SDA	Input tolerance	20	300	ns
$t_{r(SCL)}$	Rise time, SCL	Input tolerance	20	300	ns
$t_{f(SDA)}$	Fall time, SDA	Input tolerance	11.4	300	ns
$t_{f(SCL)}$	Fall time, SCL	Input tolerance	11.4	300	ns
$t_{su(SCL-SDA)STOP}$	Setup time, STOP condition, SCL rise before SDA rise delay		0.6		μs

Table 5-64. I²C Switching Characteristics

over recommended operating conditions (unless otherwise noted)

PARAMETER	TEST CONDITIONS	MIN	MAX	UNIT	
f_{SCL}	SCL clock frequency	0	400	kHz	
$t_{w(SCLL)}$	Pulse duration, SCL clock low	1.3		μs	
$t_{w(SCLH)}$	Pulse duration, SCL clock high	0.6		μs	
$t_{w(SP)}$	Pulse duration of spikes that will be suppressed by the input filter	0	50	ns	
t_{BUF}	Bus free time between STOP and START conditions	1.3		μs	
$t_{v(SCL-DAT)}$	Valid time, data after SCL fall		0.9	μs	
$t_{v(SCL-ACK)}$	Valid time, Acknowledge after SCL fall		0.9	μs	
V_{IL}	Valid low-level input voltage	-0.3	$0.3 * V_{DDIO}$	V	
V_{IH}	Valid high-level input voltage	$0.7 * V_{DDIO}$	$V_{DDIO} + 0.3$	V	
V_{OL}	Low-level output voltage	Sinking 3 mA	0.4	V	
I_i	Input current on pins	$0.1 V_{bus} < V_i < 0.9 V_{bus}$	-10	10	μA

5.10.3 Multichannel Buffered Serial Port (McBSP)

The McBSP module has the following features:

- Compatible with McBSP in TMS320C28x and TMS320F28x DSP devices
- Full-duplex communication
- Double-buffered data registers that allow a continuous data stream
- Independent framing and clocking for receive and transmit
- External shift clock generation or an internal programmable frequency shift clock
- 8-bit data transfer mode can be configured to transmit with LSB or MSB first
- Programmable polarity for both frame synchronization and data clocks
- Highly programmable internal clock and frame generation
- Direct interface to industry-standard CODECs, Analog Interface Chips (AICs), and other serially connected A/D and D/A devices
- Supports AC97, I2S, and SPI protocols
- McBSP clock rate,

$$\text{CLKG} = \frac{\text{CLKSRG}}{(1 + \text{CLKGDV})}$$

where CLKSRG source could be LSPCLK, CLKX, or CLKR.

Figure 5-56 shows the block diagram of the McBSP module.

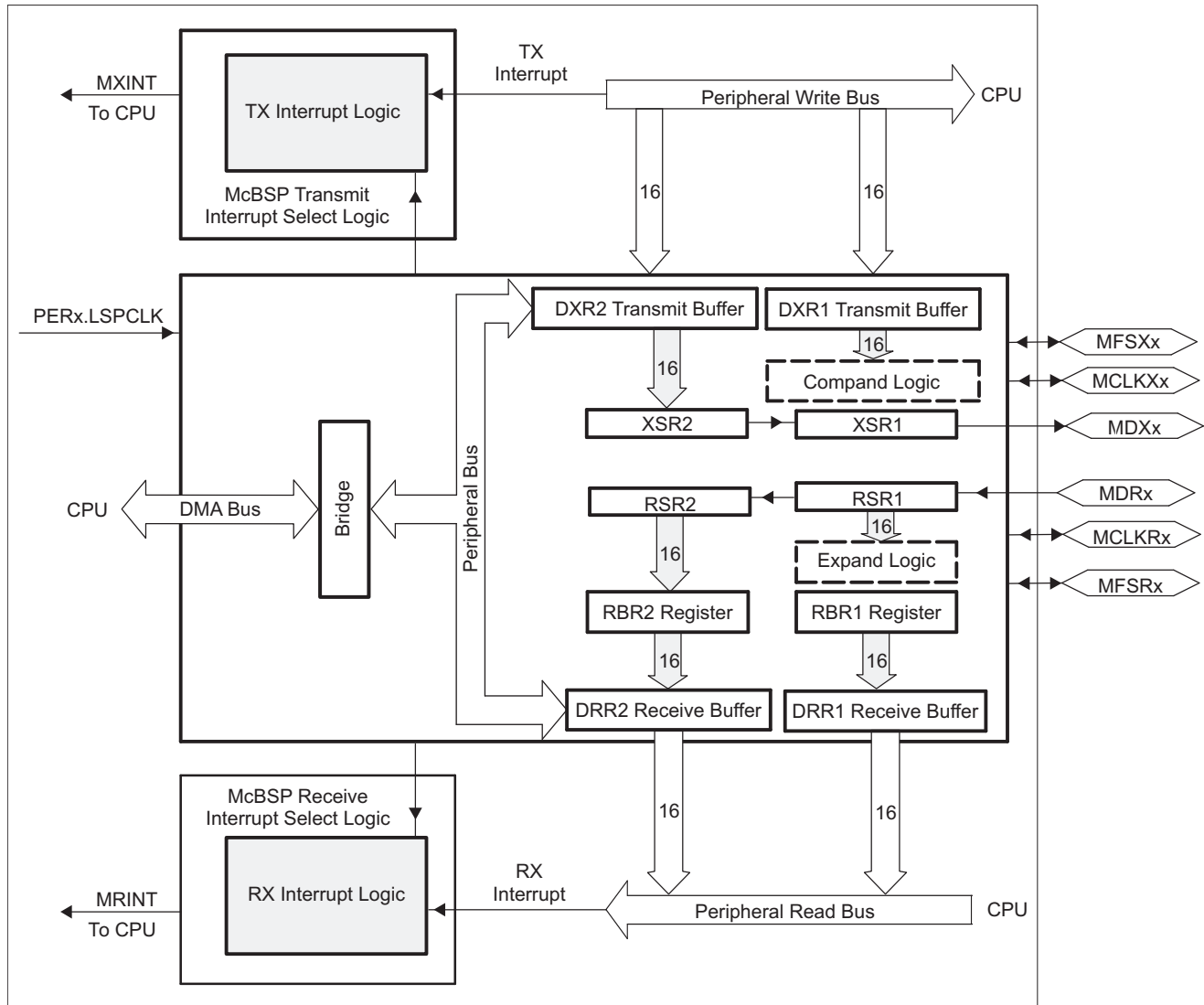


Figure 5-56. McBSP Block Diagram

5.10.3.1 McBSP Electrical Data and Timing

5.10.3.1.1 McBSP Transmit and Receive Timing

Table 5-65 shows the McBSP timing requirements. Table 5-66 shows the McBSP switching characteristics. Figure 5-57 and Figure 5-58 show the McBSP timing diagrams.

Table 5-65. McBSP Timing Requirements^{(1) (2)}

NO.				MIN	MAX	UNIT
		McBSP module clock (CLKG, CLKX, CLKR) range		1		kHz
					25	MHz
		McBSP module cycle time (CLKG, CLKX, CLKR) range		40		ns
					1	ms
M11	$t_{c(CKRX)}$	Cycle time, CLKR/X	CLKR/X ext	2P		ns
M12	$t_{w(CKRX)}$	Pulse duration, CLKR/X high or CLKR/X low	CLKR/X ext	P – 7		ns
M13	$t_{r(CKRX)}$	Rise time, CLKR/X	CLKR/X ext		7	ns
M14	$t_{f(CKRX)}$	Fall time, CLKR/X	CLKR/X ext		7	ns
M15	$t_{su(FRH-CKRL)}$	Setup time, external FSR high before CLKR low	CLKR int	18		ns
			CLKR ext	2		
M16	$t_{h(CKRL-FRH)}$	Hold time, external FSR high after CLKR low	CLKR int	0		ns
			CLKR ext	6		
M17	$t_{su(DRV-CKRL)}$	Setup time, DR valid before CLKR low	CLKR int	18		ns
			CLKR ext	5		
M18	$t_{h(CKRL-DRV)}$	Hold time, DR valid after CLKR low	CLKR int	0		ns
			CLKR ext	3		
M19	$t_{su(FXH-CKXL)}$	Setup time, external FSX high before CLKX low	CLKX int	18		ns
			CLKX ext	2		
M20	$t_{h(CKXL-FXH)}$	Hold time, external FSX high after CLKX low	CLKX int	0		ns
			CLKX ext	6		

(1) Polarity bits CLKRP = CLKXP = FSRP = FSXP = 0. If the polarity of any of the signals is inverted, then the timing references of that signal are also inverted.

(2) $2P = 1/CLKG$ in ns. CLKG is the output of sample rate generator mux. $CLKG = CLKSRG / (1 + CLKGDV)$. CLKSRG can be LSPCLK, CLKX, CLKR as source. $CLKSRG \leq (SYSCLK/2)$.

Table 5-66. McBSP Switching Characteristics^{(1) (2)}

over recommended operating conditions (unless otherwise noted)

NO.	PARAMETER		MIN	MAX	UNIT		
M1	$t_{c(CKRX)}$	Cycle time, CLKR/X	CLKR/X int	2P	ns		
M2	$t_{w(CKRXH)}$	Pulse duration, CLKR/X high	CLKR/X int	D – 5 ⁽³⁾	D + 5 ⁽³⁾	ns	
M3	$t_{w(CKRXL)}$	Pulse duration, CLKR/X low	CLKR/X int	C – 5 ⁽³⁾	C + 5 ⁽³⁾	ns	
M4	$t_{d(CKRH-FRV)}$	Delay time, CLKR high to internal FSR valid	CLKR int	0	4	ns	
			CLKR ext	3	27		
M5	$t_{d(CKXH-FXV)}$	Delay time, CLKX high to internal FSX valid	CLKX int	0	4	ns	
			CLKX ext	3	27		
M6	$t_{dis(CKXH-DXHZ)}$	Disable time, CLKX high to DX high impedance following last data bit	CLKX int		8	ns	
			CLKX ext		14		
M7	$t_{d(CKXH-DXV)}$	Delay time, CLKX high to DX valid. This applies to all bits except the first bit transmitted.	CLKX int		9	ns	
			CLKX ext		28		
		Delay time, CLKX high to DX valid	DXENA = 0	CLKX int			8
				CLKX ext			14
Only applies to first bit transmitted when in Data Delay 1 or 2 (XDATDLY=01b or 10b) modes	DXENA = 1	CLKX int		P + 8			
		CLKX ext		P + 14			
M8	$t_{en(CKXH-DX)}$	Enable time, CLKX high to DX driven	DXENA = 0	CLKX int	0	ns	
				CLKX ext	6		
		Only applies to first bit transmitted when in Data Delay 1 or 2 (XDATDLY=01b or 10b) modes	DXENA = 1	CLKX int			P
				CLKX ext			P + 6
M9	$t_{d(FXH-DXV)}$	Delay time, FSX high to DX valid	DXENA = 0	FSX int	8	ns	
				FSX ext	14		
		Only applies to first bit transmitted when in Data Delay 0 (XDATDLY=00b) mode.	DXENA = 1	FSX int			P + 8
				FSX ext			P + 14
M10	$t_{en(FXH-DX)}$	Enable time, FSX high to DX driven	DXENA = 0	FSX int	0	ns	
				FSX ext	6		
		Only applies to first bit transmitted when in Data Delay 0 (XDATDLY=00b) mode	DXENA = 1	FSX int			P
				FSX ext			P + 6

(1) Polarity bits CLKRP = CLKXP = FSRP = FSXP = 0. If the polarity of any of the signals is inverted, then the timing references of that signal are also inverted.

(2) 2P = 1/CLKG in ns.

(3) C = CLKRX low pulse width = P
D = CLKRX high pulse width = P

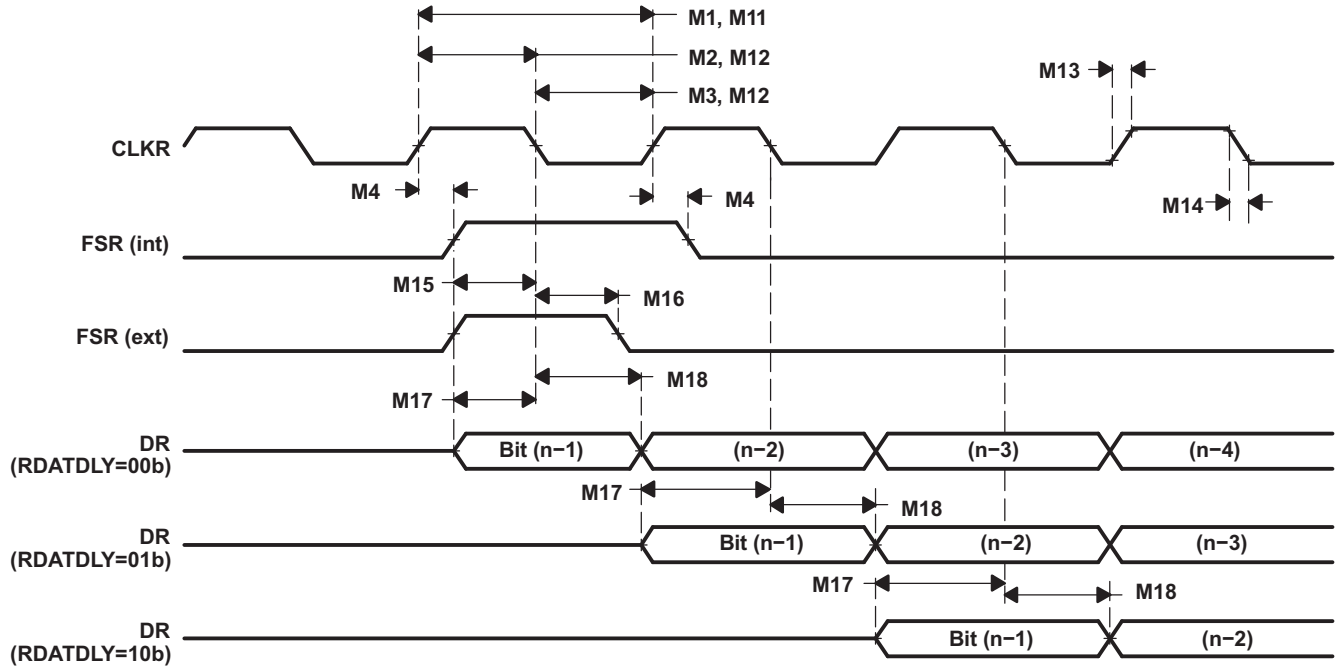


Figure 5-57. McBSP Receive Timing

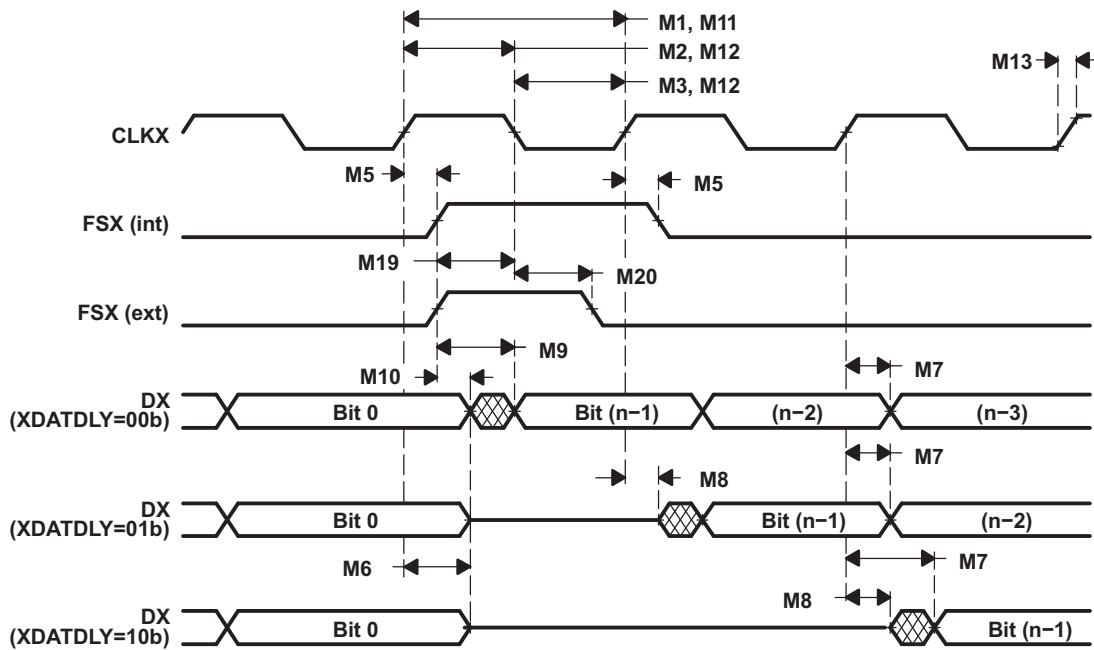


Figure 5-58. McBSP Transmit Timing

5.10.3.1.2 McBSP as SPI Master or Slave Timing

For CLKSTP = 10b and CLKXP = 0, Table 5-67 shows the timing requirements, Table 5-68 shows the switching characteristics, and Figure 5-59 shows the timing diagram.

Table 5-67. McBSP as SPI Master or Slave Timing Requirements (CLKSTP = 10b, CLKXP = 0)⁽¹⁾

NO.			MASTER		SLAVE		UNIT
			MIN	MAX	MIN	MAX	
M30	$t_{su}(DRV-CKXL)$	Setup time, DR valid before CLKX low	30		8P – 10		ns
M31	$t_h(CKXL-DRV)$	Hold time, DR valid after CLKX low	1		8P – 10		ns
M32	$t_{su}(BFXL-CKXH)$	Setup time, FSX low before CLKX high			8P + 10		ns
M33	$t_c(CKX)$	Cycle time, CLKX		$2P^{(2)}$	16P		ns

(1) For all SPI slave modes, CLKX has to be a minimum of 8 CLKG cycles. Furthermore, CLKG should be LSPCLK/2 by setting CLKSM = CLKGDV = 1.

(2) $2P = 1/CLKG$

Table 5-68. McBSP as SPI Master or Slave Switching Characteristics Over Recommended Operating Conditions (Unless Otherwise Noted) (CLKSTP = 10b, CLKXP = 0)

NO.	PARAMETER	MASTER		SLAVE		UNIT
		MIN	MAX	MIN	MAX	
M24	$t_h(CKXL-FXL)$		$2P^{(1)}$			ns
M25	$t_d(FXL-CKXH)$		P			ns
M28	$t_{dis}(FXH-DXHZ)$		6		6P + 6	ns
M29	$t_d(FXL-DXV)$		6		4P + 6	ns

(1) $2P = 1/CLKG$

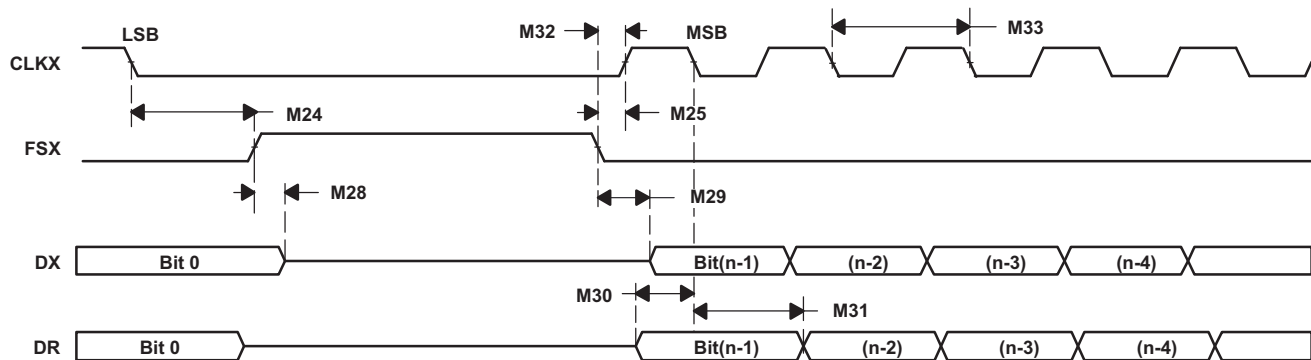


Figure 5-59. McBSP Timing as SPI Master or Slave: CLKSTP = 10b, CLKXP = 0

For CLKSTP = 11b and CLKXP = 0, Table 5-69 shows the timing requirements, Table 5-70 shows the switching characteristics, and Figure 5-60 shows the timing diagram.

Table 5-69. McBSP as SPI Master or Slave Timing Requirements (CLKSTP = 11b, CLKXP = 0)⁽¹⁾

NO.			MASTER		SLAVE		UNIT
			MIN	MAX	MIN	MAX	
M39	$t_{su}(DRV-CKXH)$	Setup time, DR valid before CLKX high	30		8P – 10		ns
M40	$t_h(CKXH-DRV)$	Hold time, DR valid after CLKX high	1		8P – 10		ns
M41	$t_{su}(FXL-CKXH)$	Setup time, FSX low before CLKX high			16P + 10		ns
M42	$t_c(CKX)$	Cycle time, CLKX	2P ⁽²⁾		16P		ns

(1) For all SPI slave modes, CLKX has to be a minimum of 8 CLKG cycles. Furthermore, CLKG should be LSPCLK/2 by setting CLKSM = CLKGDV = 1.

(2) 2P = 1/CLKG

Table 5-70. McBSP as SPI Master or Slave Switching Characteristics Over Recommended Operating Conditions (Unless Otherwise Noted) (CLKSTP = 11b, CLKXP = 0)

NO.	PARAMETER	MASTER		SLAVE		UNIT
		MIN	MAX	MIN	MAX	
M34	$t_h(CKXL-FXL)$		P			ns
M35	$t_d(FXL-CKXH)$		2P ⁽¹⁾			ns
M37	$t_{dis}(CKXL-DXHZ)$		P + 6		7P + 6	ns
M38	$t_d(FXL-DXV)$		6		4P + 6	ns

(1) 2P = 1/CLKG

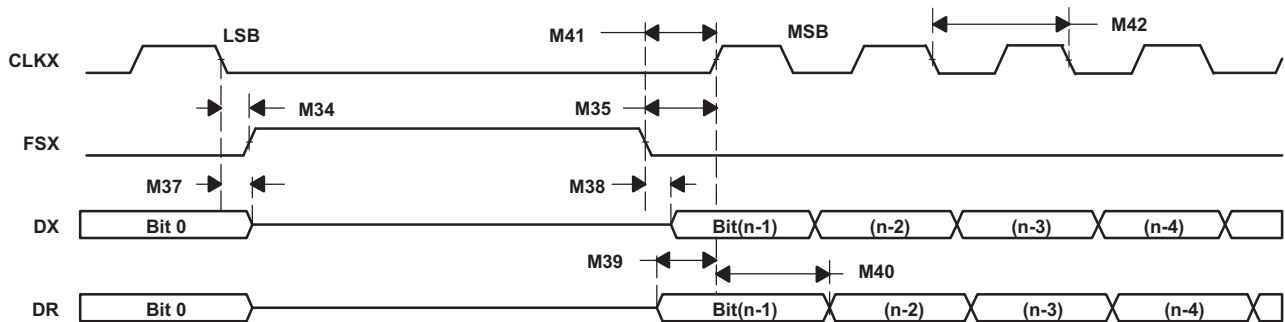


Figure 5-60. McBSP Timing as SPI Master or Slave: CLKSTP = 11b, CLKXP = 0

For CLKSTP = 10b and CLKXP = 1, Table 5-71 shows the timing requirements, Table 5-72 shows the switching characteristics, and Figure 5-61 shows the timing diagram.

Table 5-71. McBSP as SPI Master or Slave Timing Requirements (CLKSTP = 10b, CLKXP = 1)⁽¹⁾

NO.			MASTER		SLAVE		UNIT
			MIN	MAX	MIN	MAX	
M49	$t_{su}(DRV-CKXH)$	Setup time, DR valid before CLKX high	30		8P – 10		ns
M50	$t_h(CKXH-DRV)$	Hold time, DR valid after CLKX high	1		8P – 10		ns
M51	$t_{su}(FXL-CKXL)$	Setup time, FSX low before CLKX low			8P + 10		ns
M52	$t_c(CKX)$	Cycle time, CLKX	2P ⁽²⁾		16P		ns

(1) For all SPI slave modes, CLKX has to be a minimum of 8 CLKG cycles. Furthermore, CLKG should be LSPCLK/2 by setting CLKSM = CLKGDV = 1.

(2) 2P = 1/CLKG

Table 5-72. McBSP as SPI Master or Slave Switching Characteristics Over Recommended Operating Conditions (Unless Otherwise Noted) (CLKSTP = 10b, CLKXP = 1)

NO.	PARAMETER	MASTER		SLAVE		UNIT
		MIN	MAX	MIN	MAX	
M43	$t_h(CKXH-FXL)$		2P ⁽¹⁾			ns
M44	$t_d(FXL-CKXL)$		P			ns
M47	$t_{dis}(FXH-DXHZ)$		6		6P + 6	ns
M48	$t_d(FXL-DXV)$		6		4P + 6	ns

(1) 2P = 1/CLKG

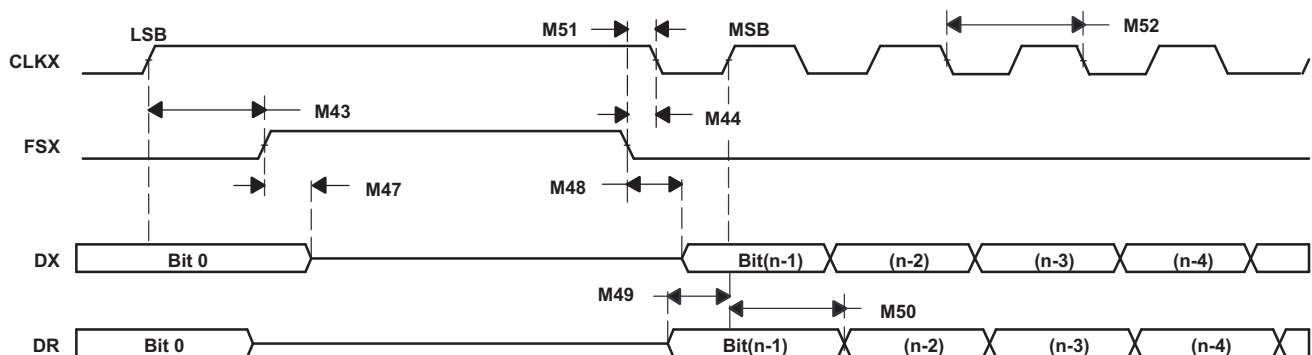


Figure 5-61. McBSP Timing as SPI Master or Slave: CLKSTP = 10b, CLKXP = 1

For CLKSTP = 11b and CLKXP = 1, Table 5-73 shows the timing requirements, Table 5-74 shows the switching characteristics, and Figure 5-62 shows the timing diagram.

Table 5-73. McBSP as SPI Master or Slave Timing Requirements (CLKSTP = 11b, CLKXP = 1)⁽¹⁾

NO.			MASTER		SLAVE		UNIT
			MIN	MAX	MIN	MAX	
M58	$t_{su(DRV-CKXL)}$	Setup time, DR valid before CLKX low	30		8P – 10		ns
M59	$t_{h(CKXL-DRV)}$	Hold time, DR valid after CLKX low	1		8P – 10		ns
M60	$t_{su(FXL-CKXL)}$	Setup time, FSX low before CLKX low			16P + 10		ns
M61	$t_c(CKX)$	Cycle time, CLKX	2P ⁽²⁾		16P		ns

(1) For all SPI slave modes, CLKX has to be a minimum of 8 CLKG cycles. Furthermore, CLKG should be LSPCLK/2 by setting CLKSM = CLKGDV = 1.

(2) 2P = 1/CLKG

Table 5-74. McBSP as SPI Master or Slave Switching Characteristics Over Recommended Operating Conditions (Unless Otherwise Noted) (CLKSTP = 11b, CLKXP = 1)⁽¹⁾

NO.	PARAMETER	MASTER ⁽²⁾		SLAVE		UNIT	
		MIN	MAX	MIN	MAX		
M53	$t_h(CKXH-FXL)$	Hold time, FSX low after CLKX high	P			ns	
M54	$t_d(FXL-CKXL)$	Delay time, FSX low to CLKX low	2P ⁽¹⁾			ns	
M55	$t_d(CLKXH-DXV)$	Delay time, CLKX high to DX valid	-2	0	3P + 6	5P + 20	ns
M56	$t_{dis}(CKXH-DXHZ)$	Disable time, DX high impedance following last data bit from CLKX high	P + 6		7P + 6		ns
M57	$t_d(FXL-DXV)$	Delay time, FSX low to DX valid	6		4P + 6		ns

(1) 2P = 1/CLKG

(2) C = CLKX low pulse width = P
D = CLKX high pulse width = P

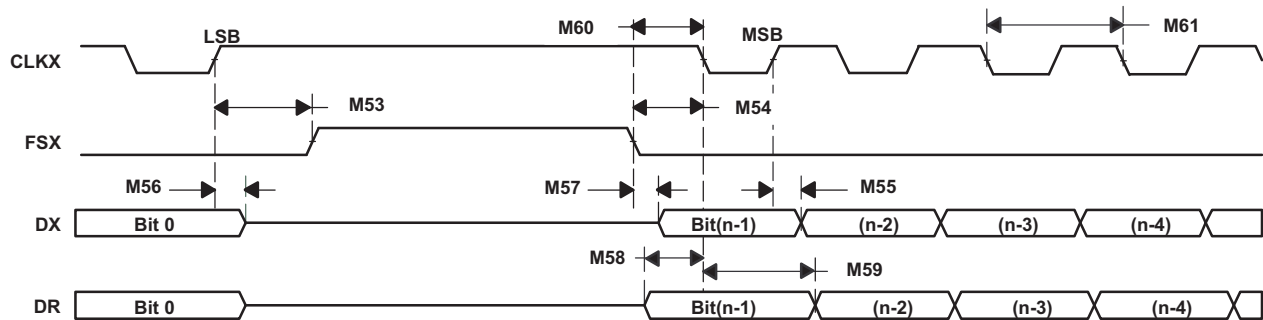


Figure 5-62. McBSP Timing as SPI Master or Slave: CLKSTP = 11b, CLKXP = 1

5.10.4 Serial Communications Interface (SCI)

The SCI is a 2-wire asynchronous serial port, commonly known as a UART. The SCI module supports digital communications between the CPU and other asynchronous peripherals that use the standard non-return-to-zero (NRZ) format

The SCI receiver and transmitter each have a 16-level-deep FIFO for reducing servicing overhead, and each has its own separate enable and interrupt bits. Both can be operated independently for half-duplex communication, or simultaneously for full-duplex communication. To specify data integrity, the SCI checks received data for break detection, parity, overrun, and framing errors. The bit rate is programmable to different speeds through a 16-bit baud-select register. [Figure 5-63](#) shows the SCI block diagram.

Features of the SCI module include:

- Two external pins:
 - SCITXD: SCI transmit-output pin
 - SCIRXD: SCI receive-input pin
 - NOTE:** Both pins can be used as GPIO if not used for SCI.
 - Baud rate programmable to 64K different rates
- Data-word format
 - One start bit
 - Data-word length programmable from 1 to 8 bits
 - Optional even/odd/no parity bit
 - 1 or 2 stop bits
- Four error-detection flags: parity, overrun, framing, and break detection
- Two wakeup multiprocessor modes: idle-line and address bit
- Half- or full-duplex operation
- Double-buffered receive and transmit functions
- Transmitter and receiver operations can be accomplished through interrupt-driven or polled algorithms with status flags.
 - Transmitter: TXRDY flag (transmitter-buffer register is ready to receive another character) and TX EMPTY flag (transmitter-shift register is empty)
 - Receiver: RXRDY flag (receiver-buffer register is ready to receive another character), BRKDT flag (break condition occurred), and RX ERROR flag (monitoring four interrupt conditions)
- Separate enable bits for transmitter and receiver interrupts (except BRKDT)
- NRZ format
- Auto baud-detect hardware logic
- 16-level transmit and receive FIFO

NOTE

All registers in this module are 8-bit registers. When a register is accessed, the register data is in the lower byte (bits 7–0), and the upper byte (bits 15–8) is read as zeros. Writing to the upper byte has no effect.

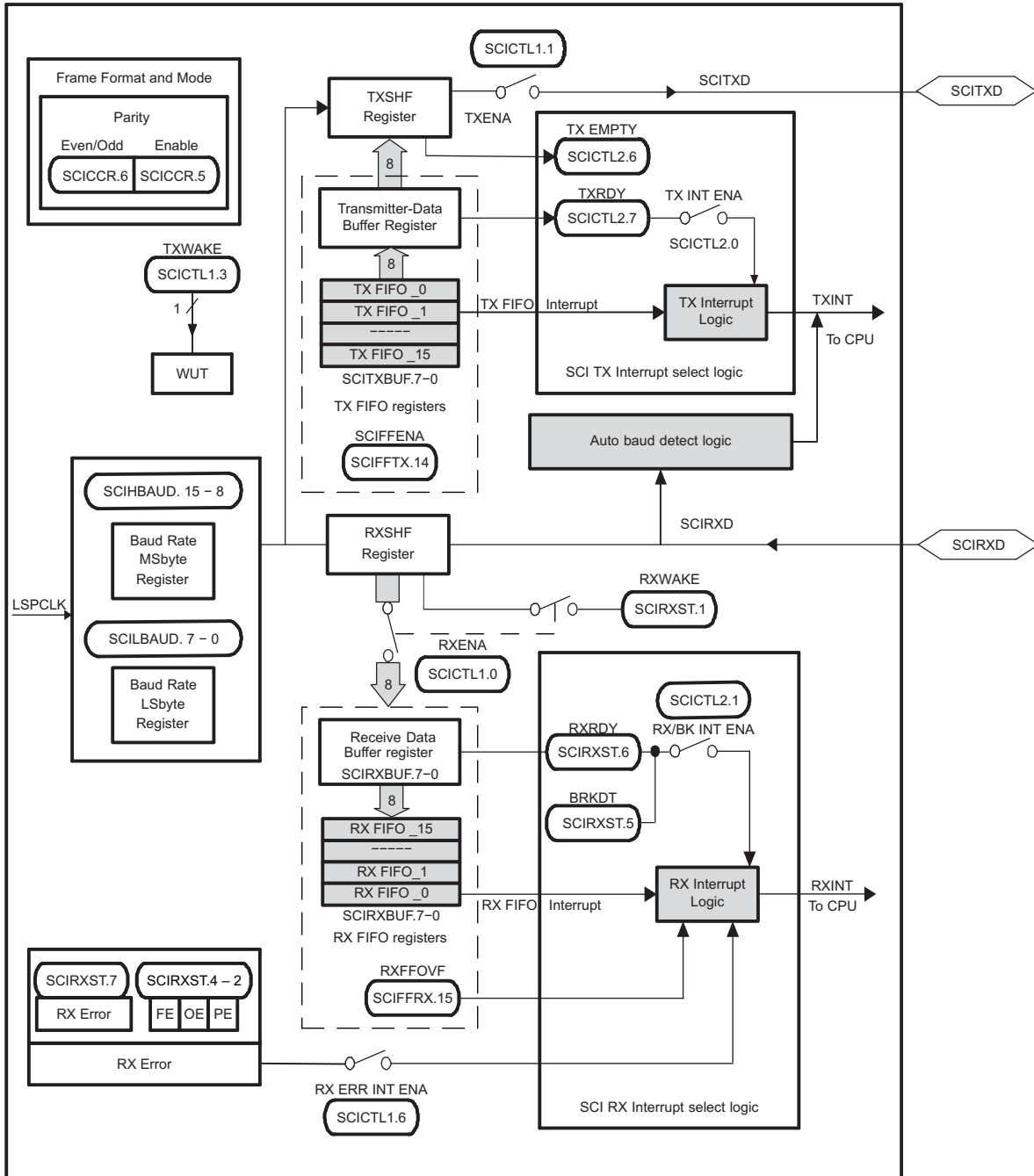


Figure 5-63. SCI Block Diagram

The major elements used in full-duplex operation include:

- A transmitter (TX) and its major registers:
 - SCITXBUF register – Transmitter Data Buffer register. Contains data (loaded by the CPU) to be transmitted
 - TXSHF register – Transmitter Shift register. Accepts data from the SCITXBUF register and shifts data onto the SCITXD pin, 1 bit at a time
- A receiver (RX) and its major registers:
 - RXSHF register – Receiver Shift register. Shifts data in from the SCIRXD pin, 1 bit at a time
 - SCIRXBUF register – Receiver Data Buffer register. Contains data to be read by the CPU. Data from a remote processor is loaded into the RXSHF register and then into the SCIRXBUF and SCIRXEMU registers
- A programmable baud generator
- Data-memory-mapped control and status registers enable the CPU to access the I²C module registers and FIFOs.

The SCI receiver and transmitter operate independently.

5.10.5 Serial Peripheral Interface (SPI)

The SPI is a high-speed synchronous serial input/output (I/O) port that allows a serial bit stream of programmed length (1 to 16 bits) to be shifted into and out of the device at a programmed bit-transfer rate. The SPI is normally used for communications between the microcontroller and external peripherals or another controller. Typical applications include external I/O or peripheral expansion through devices such as shift registers, display drivers, and ADCs. Multidevice communications are supported by the master/slave operation of the SPI. The port supports 16-level receive and transmit FIFOs for reducing CPU servicing overhead.

The SPI module features include:

- SPISOMI: SPI slave-output/master-input pin
- SPISIMO: SPI slave-input/master-output pin
- $\overline{\text{SPISTE}}$: SPI slave transmit-enable pin
- SPICLK: SPI serial-clock pin
- Two operational modes: master and slave
- Baud rate: 125 different programmable rates
- Data word length: 1 to 16 data bits
- Four clocking schemes (controlled by clock polarity and clock phase bits) include:
 - Falling edge without phase delay: SPICLK active-high. SPI transmits data on the falling edge of the SPICLK signal and receives data on the rising edge of the SPICLK signal.
 - Falling edge with phase delay: SPICLK active-high. SPI transmits data one half-cycle ahead of the falling edge of the SPICLK signal and receives data on the falling edge of the SPICLK signal.
 - Rising edge without phase delay: SPICLK inactive-low. SPI transmits data on the rising edge of the SPICLK signal and receives data on the falling edge of the SPICLK signal.
 - Rising edge with phase delay: SPICLK inactive-low. SPI transmits data one half-cycle ahead of the falling edge of the SPICLK signal and receives data on the rising edge of the SPICLK signal.
- Simultaneous receive-and-transmit operation (transmit function can be disabled in software)
- Transmitter and receiver operations are accomplished through either interrupt-driven or polled algorithms.
- 16-level transmit and receive FIFO
- Delayed transmit control
- 3-wire SPI mode
- $\overline{\text{SPISTE}}$ inversion for digital audio interface receive mode on devices with two SPI modules
- DMA support
- High-speed mode for up to 30-MHz full-duplex communication

The SPI operates in master or slave mode. The master initiates data transfer by sending the SPICLK signal. For both the slave and the master, data is shifted out of the shift registers on one edge of the SPICLK and latched into the shift register on the opposite SPICLK clock edge. If the CLOCK PHASE bit (SPICTL.3) is high, data is transmitted and received a half-cycle before the SPICLK transition. As a result, both controllers send and receive data simultaneously. The application software determines whether the data is meaningful or dummy data. There are three possible methods for data transmission:

- Master sends data; slave sends dummy data
- Master sends data; slave sends data
- Master sends dummy data; slave sends data

The master can initiate a data transfer at any time because it controls the SPICLK signal. The software, however, determines how the master detects when the slave is ready to broadcast data.

Figure 5-64 shows the SPI CPU Interface.

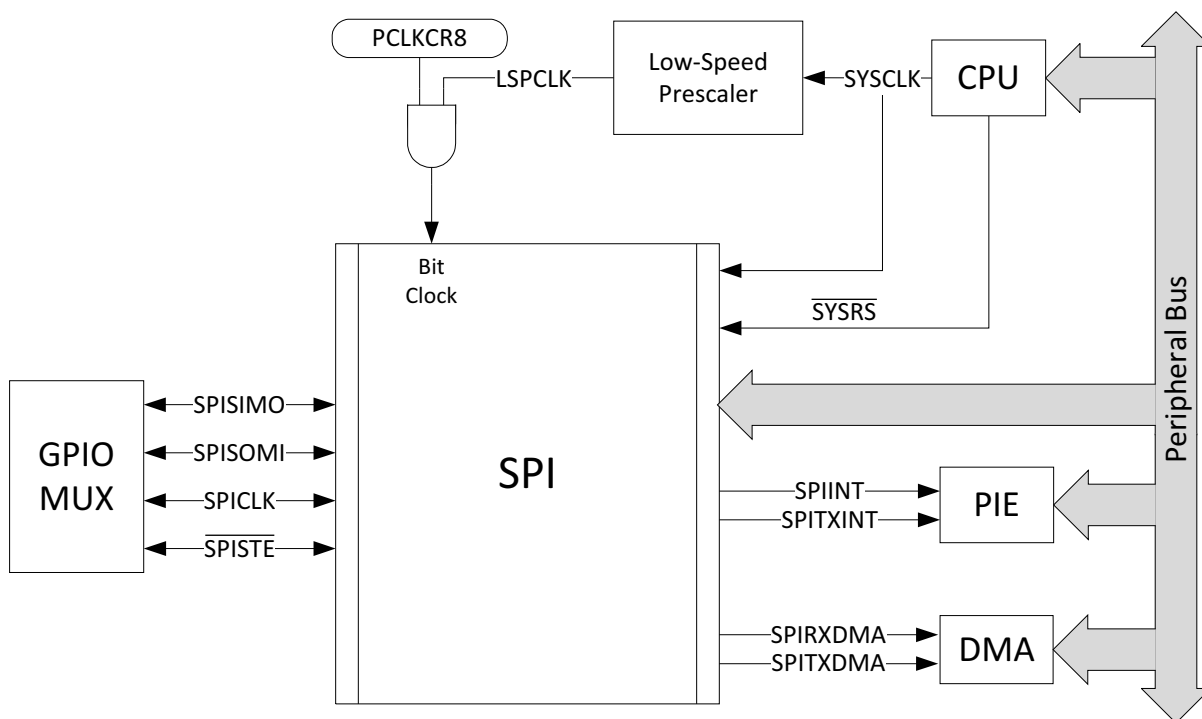


Figure 5-64. SPI CPU Interface

5.10.5.1 SPI Electrical Data and Timing

The following sections contain the SPI External Timings in Non-High-Speed Mode:

- [Section 5.10.5.1.1](#) Master Mode External Timings Where Clock Phase = 0
- [Section 5.10.5.1.2](#) Master Mode External Timings Where Clock Phase = 1
- [Section 5.10.5.1.3](#) Slave Mode External Timings Where Clock Phase = 0
- [Section 5.10.5.1.4](#) Slave Mode External Timings Where Clock Phase = 1

The following sections contain the SPI External Timings in High-Speed Mode:

- [Section 5.10.5.1.5](#) High-Speed Master Mode External Timings Where Clock Phase = 0
- [Section 5.10.5.1.6](#) High-Speed Master Mode External Timings Where Clock Phase = 1
- [Section 5.10.5.1.7](#) High-Speed Slave Mode External Timings Where Clock Phase = 0
- [Section 5.10.5.1.8](#) High-Speed Slave Mode External Timings Where Clock Phase = 1

NOTE

All timing parameters for SPI High-Speed Mode assume a load capacitance of 5 pF on SPICLK, SPISIMO, and SPISOMI.

For more information about the SPI in High-Speed mode, see the Serial Peripheral Interface (SPI) chapter of the [TMS320F2807x Piccolo Microcontrollers Technical Reference Manual](#).

To use the SPI in High-Speed mode, the application must use the high-speed enabled GPIOs (see [Section 4.5.5](#)).

5.10.5.1.1 Master Mode External Timings Where Clock Phase = 0

Table 5-75 shows the SPI master mode external timings where (SPIBRR + 1) is even or SPIBRR = 0 or 2.

Table 5-76 shows the SPI master mode external timings where (SPIBRR + 1) is odd and SPIBRR > 3.

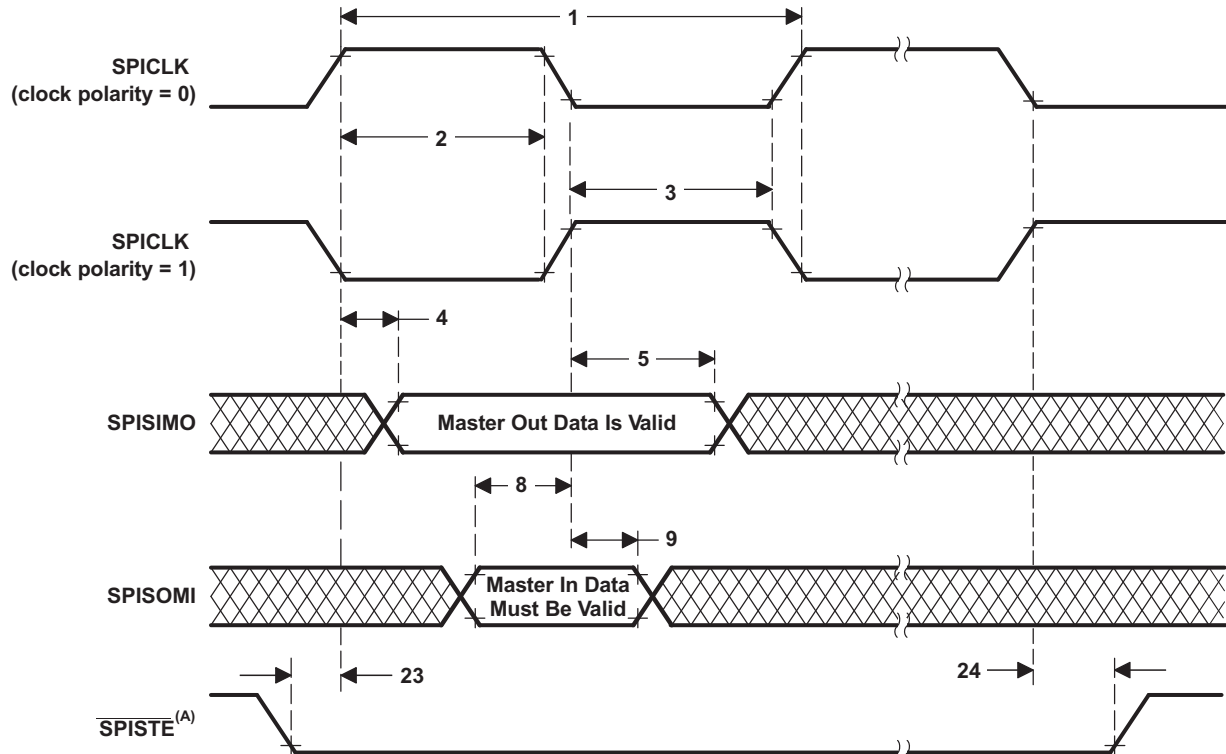
Figure 5-65 shows the SPI master mode external timing where the clock phase = 0.

Table 5-75. SPI Master Mode External Timings Where (SPIBRR + 1) is Even or SPIBRR = 0 or 2

NO.			MIN	MAX	UNIT
1	$t_{c(SPC)M}$	Cycle time, SPICLK	$4t_{c(LSPCLK)}$	$128t_{c(LSPCLK)}$	ns
2	$t_{w(SPCH)M}$	Pulse duration, SPICLK high (clock polarity = 0)	$0.5t_{c(SPC)M} - 1$	$0.5t_{c(SPC)M} + 1$	ns
	$t_{w(SPCL)M}$	Pulse duration, SPICLK low (clock polarity = 1)	$0.5t_{c(SPC)M} - 1$	$0.5t_{c(SPC)M} + 1$	
3	$t_{w(SPCL)M}$	Pulse duration, SPICLK low (clock polarity = 0)	$0.5t_{c(SPC)M} - 1$	$0.5t_{c(SPC)M} + 1$	ns
	$t_{w(SPCH)M}$	Pulse duration, SPICLK high (clock polarity = 1)	$0.5t_{c(SPC)M} - 1$	$0.5t_{c(SPC)M} + 1$	
4	$t_{d(SPCH-SIMO)M}$	Delay time, SPICLK high to SPISIMO valid (clock polarity = 0)		3	ns
	$t_{d(SPCL-SIMO)M}$	Delay time, SPICLK low to SPISIMO valid (clock polarity = 1)		3	
5	$t_{v(SPCL-SIMO)M}$	Valid time, SPISIMO data valid after SPICLK low (clock polarity = 0)	$0.5t_{c(SPC)M} - 3$		ns
	$t_{v(SPCH-SIMO)M}$	Valid time, SPISIMO data valid after SPICLK high (clock polarity = 1)	$0.5t_{c(SPC)M} - 3$		
8	$t_{su(SOMI-SPCL)M}$	Setup time, SPISOMI before SPICLK low (clock polarity = 0)	20		ns
	$t_{su(SOMI-SPCH)M}$	Setup time, SPISOMI before SPICLK high (clock polarity = 1)	20		
9	$t_{h(SPCL-SOMI)M}$	Hold time, SPISOMI data valid after SPICLK low (clock polarity = 0)	0		ns
	$t_{h(SPCH-SOMI)M}$	Hold time, SPISOMI data valid after SPICLK high (clock polarity = 1)	0		
23	$t_{d(STE-SPCH)M}$	Delay time, \overline{SPISTE} low to SPICLK high (clock polarity = 0)	$0.5t_{c(SPC)} - 3$		ns
	$t_{d(STE-SPCL)M}$	Delay time, \overline{SPISTE} low to SPICLK low (clock polarity = 1)	$0.5t_{c(SPC)} - 3$		
24	$t_{d(SPCL-STE)M}$	Delay time, SPICLK low to \overline{SPISTE} invalid (clock polarity = 0)	$0.5t_{c(SPC)} - 3$		ns
	$t_{d(SPCH-STE)M}$	Delay time, SPICLK high to \overline{SPISTE} invalid (clock polarity = 1)	$0.5t_{c(SPC)} - 3$		

Table 5-76. SPI Master Mode External Timings Where (SPIBRR + 1) is Odd and SPIBRR > 3

NO.			MIN	MAX	UNIT
1	$t_{c(SPC)M}$	Cycle time, SPICLK	$5t_{c(LSPCLK)}$	$127t_{c(LSPCLK)}$	ns
2	$t_{w(SPCH)M}$	Pulse duration, SPICLK high (clock polarity = 0)	$0.5t_{c(SPC)M} + 0.5t_{c(LSPCLK)} - 1$	$0.5t_{c(SPC)M} + 0.5t_{c(LSPCLK)} + 1$	ns
	$t_{w(SPCL)M}$	Pulse duration, SPICLK low (clock polarity = 1)	$0.5t_{c(SPC)M} - 0.5t_{c(LSPCLK)} - 1$	$0.5t_{c(SPC)M} - 0.5t_{c(LSPCLK)} + 1$	
3	$t_{w(SPCL)M}$	Pulse duration, SPICLK low (clock polarity = 0)	$0.5t_{c(SPC)M} - 0.5t_{c(LSPCLK)} - 1$	$0.5t_{c(SPC)M} - 0.5t_{c(LSPCLK)} + 1$	ns
	$t_{w(SPCH)M}$	Pulse duration, SPICLK high (clock polarity = 1)	$0.5t_{c(SPC)M} + 0.5t_{c(LSPCLK)} - 1$	$0.5t_{c(SPC)M} + 0.5t_{c(LSPCLK)} + 1$	
4	$t_{d(SPCH-SIMO)M}$	Delay time, SPICLK high to SPISIMO valid (clock polarity = 0)		3	ns
	$t_{d(SPCL-SIMO)M}$	Delay time, SPICLK low to SPISIMO valid (clock polarity = 1)		3	
5	$t_{v(SPCL-SIMO)M}$	Valid time, SPISIMO data valid after SPICLK low (clock polarity = 0)	$0.5t_{c(SPC)M} + 0.5t_{c(LSPCLK)} - 3$		ns
	$t_{v(SPCH-SIMO)M}$	Valid time, SPISIMO data valid after SPICLK high (clock polarity = 1)	$0.5t_{c(SPC)M} + 0.5t_{c(LSPCLK)} - 3$		
8	$t_{su(SOMI-SPCL)M}$	Setup time, SPISOMI before SPICLK low (clock polarity = 0)	20		ns
	$t_{su(SOMI-SPCH)M}$	Setup time, SPISOMI before SPICLK high (clock polarity = 1)	20		
9	$t_{h(SPCL-SOMI)M}$	Hold time, SPISOMI data valid after SPICLK low (clock polarity = 0)	0		ns
	$t_{h(SPCH-SOMI)M}$	Hold time, SPISOMI data valid after SPICLK high (clock polarity = 1)	0		
23	$t_{d(STE-SPCH)M}$	Delay time, \overline{SPISTE} low to SPICLK high (clock polarity = 0)	$0.5t_{c(SPC)} - 3$		ns
	$t_{d(STE-SPCL)M}$	Delay time, \overline{SPISTE} low to SPICLK low (clock polarity = 1)	$0.5t_{c(SPC)} - 3$		
24	$t_{d(SPCL-STE)M}$	Delay time, SPICLK low to \overline{SPISTE} invalid (clock polarity = 0)	$0.5t_{c(SPC)} - 3$		ns
	$t_{d(SPCH-STE)M}$	Delay time, SPICLK high to \overline{SPISTE} invalid (clock polarity = 1)	$0.5t_{c(SPC)} - 3$		



- A. On the trailing end of the word, $\overline{\text{SPISTE}}$ will go inactive except between back-to-back transmit words in both FIFO and non-FIFO modes.

Figure 5-65. SPI Master Mode External Timing (Clock Phase = 0)

5.10.5.1.2 Master Mode External Timings Where Clock Phase = 1

Table 5-77 shows the SPI master mode external timings where (SPIBRR + 1) is even or SPIBRR = 0 or 2.

Table 5-78 shows the SPI master mode external timings where (SPIBRR + 1) is odd or SPIBRR > 3.

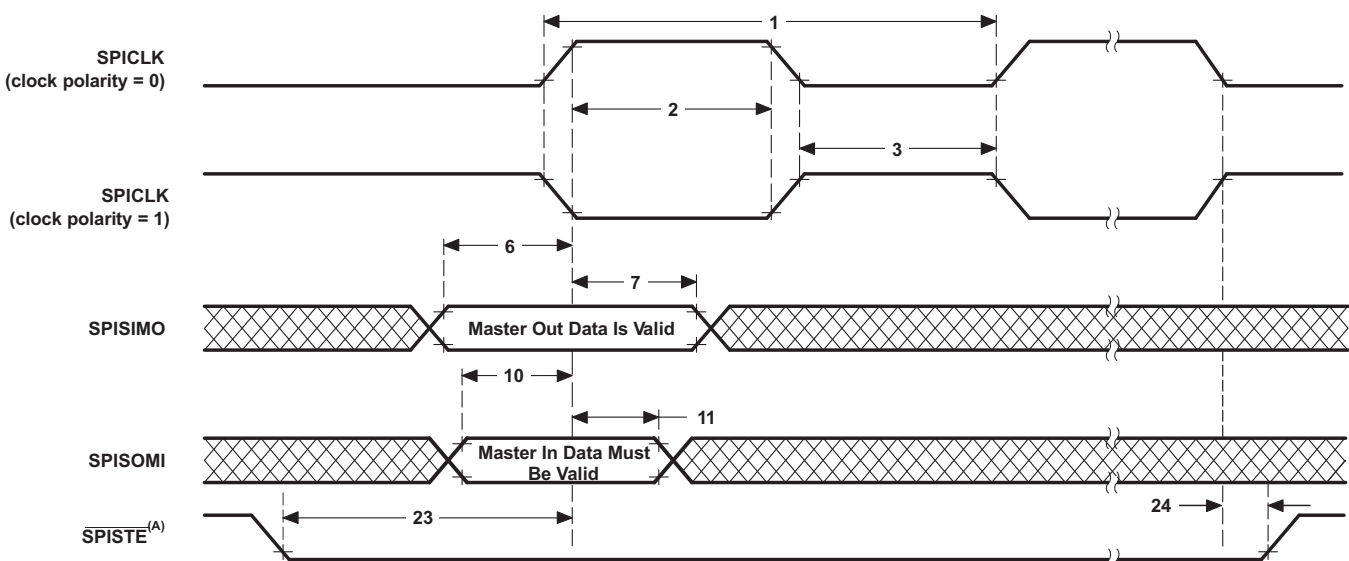
Figure 5-66 shows the SPI master mode external timing where the clock phase = 1.

Table 5-77. SPI Master Mode External Timings Where (SPIBRR + 1) is Even or SPIBRR = 0 or 2

NO.			MIN	MAX	UNIT
1	$t_{c(SPC)M}$	Cycle time, SPICLK	$4t_{c(LSPCLK)}$	$128t_{c(LSPCLK)}$	ns
2	$t_{w(SPCH)M}$	Pulse duration, SPICLK high (clock polarity = 0)	$0.5t_{c(SPC)M} - 1$	$0.5t_{c(SPC)M} + 1$	ns
	$t_{w(SPCL)M}$	Pulse duration, SPICLK low (clock polarity = 1)	$0.5t_{c(SPC)M} - 1$	$0.5t_{c(SPC)M} + 1$	
3	$t_{w(SPCL)M}$	Pulse duration, SPICLK low (clock polarity = 0)	$0.5t_{c(SPC)M} - 1$	$0.5t_{c(SPC)M} + 1$	ns
	$t_{w(SPCH)M}$	Pulse duration, SPICLK high (clock polarity = 1)	$0.5t_{c(SPC)M} - 1$	$0.5t_{c(SPC)M} + 1$	
6	$t_{d(SIMO-SPCH)M}$	Delay time, SPISIMO data valid to SPICLK high (clock polarity = 0)	$0.5t_{c(SPC)M} - 3$		ns
	$t_{d(SIMO-SPCL)M}$	Delay time, SPISIMO data valid to SPICLK low (clock polarity = 1)	$0.5t_{c(SPC)M} - 3$		
7	$t_{v(SPCH-SIMO)M}$	Valid time, SPISIMO data valid after SPICLK high (clock polarity = 0)	$0.5t_{c(SPC)M} - 3$		ns
	$t_{v(SPCL-SIMO)M}$	Valid time, SPISIMO data valid after SPICLK low (clock polarity = 1)	$0.5t_{c(SPC)M} - 3$		
10	$t_{su(SOMI-SPCH)M}$	Setup time, SPISOMI before SPICLK high (clock polarity = 0)	20		ns
	$t_{su(SOMI-SPCL)M}$	Setup time, SPISOMI before SPICLK low (clock polarity = 1)	20		
11	$t_{h(SPCH-SOMI)M}$	Hold time, SPISOMI data valid after SPICLK high (clock polarity = 0)	0		ns
	$t_{h(SPCL-SOMI)M}$	Hold time, SPISOMI data valid after SPICLK low (clock polarity = 1)	0		
23	$t_{d(STE-SPCH)M}$	Delay time, \overline{SPISTE} low to SPICLK high (clock polarity = 0)	$0.5t_{c(SPC)} - 3$		ns
	$t_{d(STE-SPCL)M}$	Delay time, \overline{SPISTE} low to SPICLK low (clock polarity = 1)	$0.5t_{c(SPC)} - 3$		
24	$t_{d(SPCL-STE)M}$	Delay time, SPICLK low to \overline{SPISTE} invalid (clock polarity = 0)	$0.5t_{c(SPC)} - 3$		ns
	$t_{d(SPCH-STE)M}$	Delay time, SPICLK high to \overline{SPISTE} invalid (clock polarity = 1)	$0.5t_{c(SPC)} - 3$		

Table 5-78. SPI Master Mode External Timings Where (SPIBRR + 1) is Odd or SPIBRR > 3

NO.			MIN	MAX	UNIT
1	$t_{c(SPC)M}$	Cycle time, SPICLK	$5t_{c(LSPCLK)}$	$127t_{c(LSPCLK)}$	ns
2	$t_{w(SPCH)M}$	Pulse duration, SPICLK high (clock polarity = 0)	$0.5t_{c(SPC)M} - 0.5t_{c(LSPCLK)} - 1$	$0.5t_{c(SPC)M} - 0.5t_{c(LSPCLK)} + 1$	ns
	$t_{w(SPCL)M}$	Pulse duration, SPICLK low (clock polarity = 1)	$0.5t_{c(SPC)M} + 0.5t_{c(LSPCLK)} - 1$	$0.5t_{c(SPC)M} + 0.5t_{c(LSPCLK)} + 1$	
3	$t_{w(SPCL)M}$	Pulse duration, SPICLK low (clock polarity = 0)	$0.5t_{c(SPC)M} + 0.5t_{c(LSPCLK)} - 1$	$0.5t_{c(SPC)M} + 0.5t_{c(LSPCLK)} + 1$	ns
	$t_{w(SPCH)M}$	Pulse duration, SPICLK high (clock polarity = 1)	$0.5t_{c(SPC)M} - 0.5t_{c(LSPCLK)} - 1$	$0.5t_{c(SPC)M} - 0.5t_{c(LSPCLK)} + 1$	
6	$t_{d(SIMO-SPCH)M}$	Delay time, SPISIMO data valid to SPICLK high (clock polarity = 0)	$0.5t_{c(SPC)M} - 0.5t_{c(LSPCLK)} - 3$		ns
	$t_{d(SIMO-SPCL)M}$	Delay time, SPISIMO data valid to SPICLK low (clock polarity = 1)	$0.5t_{c(SPC)M} + 0.5t_{c(LSPCLK)} - 3$		
7	$t_{v(SPCH-SIMO)M}$	Valid time, SPISIMO data valid after SPICLK high (clock polarity = 0)	$0.5t_{c(SPC)M} + 0.5t_{c(LSPCLK)} - 3$		ns
	$t_{v(SPCL-SIMO)M}$	Valid time, SPISIMO data valid after SPICLK low (clock polarity = 1)	$0.5t_{c(SPC)M} - 0.5t_{c(LSPCLK)} - 3$		
10	$t_{su(SOMI-SPCH)M}$	Setup time, SPISOMI before SPICLK high (clock polarity = 0)	20		ns
	$t_{su(SOMI-SPCL)M}$	Setup time, SPISOMI before SPICLK low (clock polarity = 1)	20		
11	$t_h(SPCH-SOMI)M$	Hold time, SPISOMI data valid after SPICLK high (clock polarity = 0)	0		ns
	$t_h(SPCL-SOMI)M$	Hold time, SPISOMI data valid after SPICLK low (clock polarity = 1)	0		
23	$t_{d(STE-SPCH)M}$	Delay time, \overline{SPISTE} low to SPICLK high (clock polarity = 0)	$0.5t_{c(SPC)} - 3$		ns
	$t_{d(STE-SPCL)M}$	Delay time, \overline{SPISTE} low to SPICLK low (clock polarity = 1)	$0.5t_{c(SPC)} - 3$		
24	$t_{d(SPCL-STE)M}$	Delay time, SPICLK low to \overline{SPISTE} invalid (clock polarity = 0)	$0.5t_{c(SPC)} - 3$		ns
	$t_{d(SPCH-STE)M}$	Delay time, SPICLK high to \overline{SPISTE} invalid (clock polarity = 1)	$0.5t_{c(SPC)} - 3$		



A. On the trailing end of the word, \overline{SPISTE} will go inactive except between back-to-back transmit words in both FIFO and non-FIFO modes.

Figure 5-66. SPI Master Mode External Timing (Clock Phase = 1)

5.10.5.1.3 Slave Mode External Timings Where Clock Phase = 0

Table 5-79 and Figure 5-67 show the SPI slave mode external timings where the clock phase = 0.

Table 5-79. SPI Slave Mode External Timings Where Clock Phase = 0

NO.			MIN	MAX	UNIT
12	$t_{c(SPC)S}$	Cycle time, SPICLK	$4t_{c(SYSCLK)}$		ns
13	$t_{w(SPCH)S}$	Pulse duration, SPICLK high (clock polarity = 0)	$2t_{c(SYSCLK)} - 1$		ns
	$t_{w(SPCL)S}$	Pulse duration, SPICLK low (clock polarity = 1)	$2t_{c(SYSCLK)} - 1$		
14	$t_{w(SPCL)S}$	Pulse duration, SPICLK low (clock polarity = 0)	$2t_{c(SYSCLK)} - 1$		ns
	$t_{w(SPCH)S}$	Pulse duration, SPICLK high (clock polarity = 1)	$2t_{c(SYSCLK)} - 1$		
15	$t_{d(SPCH-SOM)S}$	Delay time, SPICLK high to SPISOMI valid (clock polarity = 0)		20	ns
	$t_{d(SPCL-SOM)S}$	Delay time, SPICLK low to SPISOMI valid (clock polarity = 1)		20	
16	$t_{v(SPCH-SOM)S}$	Valid time, SPISOMI data valid after SPICLK high (clock polarity = 0)	0		ns
	$t_{v(SPCL-SOM)S}$	Valid time, SPISOMI data valid after SPICLK low (clock polarity = 1)	0		
19	$t_{su(SIMO-SPCL)S}$	Setup time, SPISIMO before SPICLK low (clock polarity = 0)	5		ns
	$t_{su(SIMO-SPCH)S}$	Setup time, SPISIMO before SPICLK high (clock polarity = 1)	5		
20	$t_{h(SPCL-SIMO)S}$	Hold time, SPISIMO data valid after SPICLK low (clock polarity = 0)	5		ns
	$t_{h(SPCH-SIMO)S}$	Hold time, SPISIMO data valid after SPICLK high (clock polarity = 1)	5		
25	$t_{su(STE-SPCH)S}$	Setup time, \overline{SPISTE} valid before SPICLK high (clock polarity = 0)	$2t_{c(SYSCLK)}$		ns
	$t_{su(STE-SPCL)S}$	Setup time, \overline{SPISTE} valid before SPICLK low (clock polarity = 1)	$2t_{c(SYSCLK)}$		
26	$t_{h(SPCL-STE)S}$	Hold time, \overline{SPISTE} invalid after SPICLK low (clock polarity = 0)	$2t_{c(SYSCLK)}$		ns
	$t_{h(SPCH-STE)S}$	Hold time, \overline{SPISTE} invalid after SPICLK high (clock polarity = 1)	$2t_{c(SYSCLK)}$		

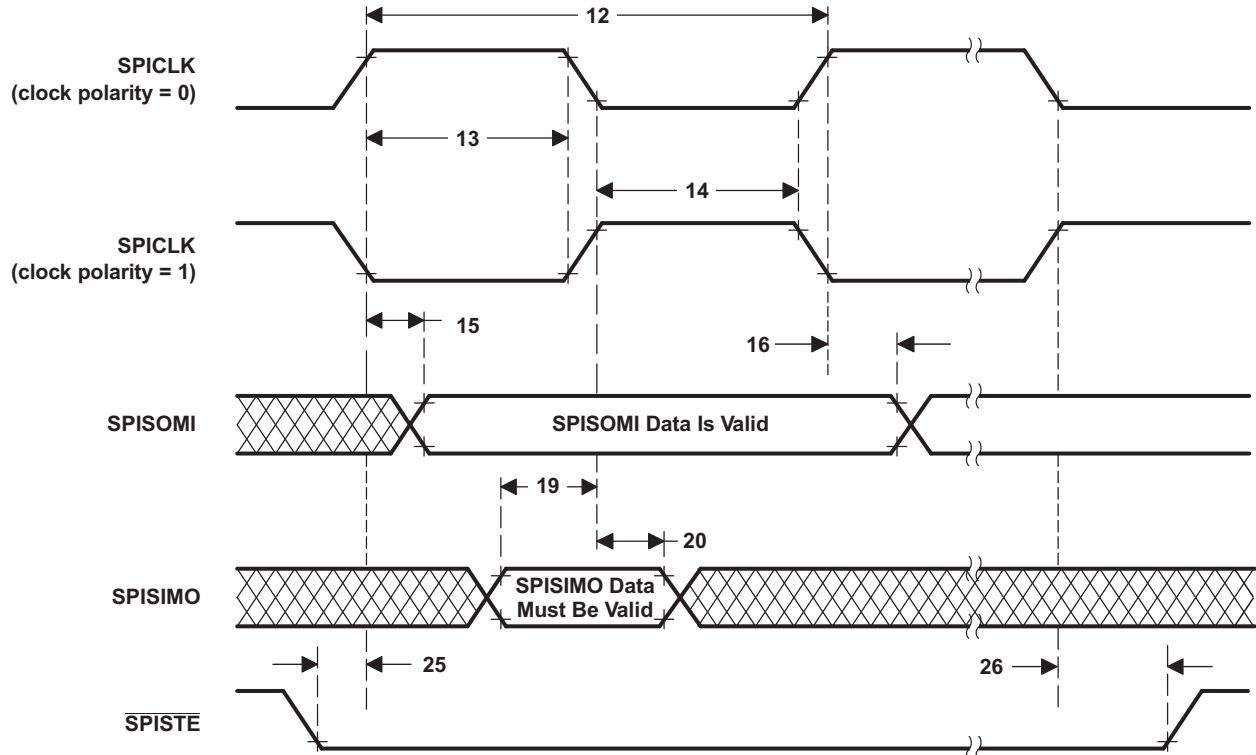


Figure 5-67. SPI Slave Mode External Timing (Clock Phase = 0)

5.10.5.1.4 Slave Mode External Timings Where Clock Phase = 1

Table 5-80 and Figure 5-68 show the SPI slave mode external timings where the clock phase = 1.

Table 5-80. SPI Slave Mode External Timings Where Clock Phase = 1

NO.			MIN	MAX	UNIT
12	$t_{c(SPCS)}$	Cycle time, SPICLK	$8t_{c(SYSCLK)}$		ns
13	$t_{w(SPCH)S}$	Pulse duration, SPICLK high (clock polarity = 0)	$4t_{c(SYSCLK)} - 1$		ns
	$t_{w(SPCL)S}$	Pulse duration, SPICLK low (clock polarity = 1)	$4t_{c(SYSCLK)} - 1$		
14	$t_{w(SPCL)S}$	Pulse duration, SPICLK low (clock polarity = 0)	$4t_{c(SYSCLK)} - 1$		ns
	$t_{w(SPCH)S}$	Pulse duration, SPICLK high (clock polarity = 1)	$4t_{c(SYSCLK)} - 1$		
17	$t_{d(SPCL-SOMI)S}$	Delay time, SPICLK low to SPISOMI (clock polarity = 0)		20	ns
	$t_{d(SPCH-SOMI)S}$	Delay time, SPICLK high to SPISOMI (clock polarity = 1)		20	
18	$t_{v(SPCL-SOMI)S}$	Valid time, SPISOMI data valid after SPICLK low (clock polarity = 0)	0		ns
	$t_{v(SPCH-SOMI)S}$	Valid time, SPISOMI data valid after SPICLK high (clock polarity = 1)	0		
21	$t_{su(SIMO-SPCH)S}$	Setup time, SPISIMO before SPICLK high (clock polarity = 0)	5		ns
	$t_{su(SIMO-SPCL)S}$	Setup time, SPISIMO before SPICLK low (clock polarity = 1)	5		
22	$t_{h(SPCH-SIMO)S}$	Hold time, SPISIMO data valid after SPICLK high (clock polarity = 0)	5		ns
	$t_{h(SPCL-SIMO)S}$	Hold time, SPISIMO data valid after SPICLK low (clock polarity = 1)	5		
25	$t_{su(STE-SPCH)S}$	Setup time, \overline{SPISTE} valid before SPICLK high (clock polarity = 0)	$2t_{c(SYSCLK)}$		ns
	$t_{su(STE-SPCL)S}$	Setup time, \overline{SPISTE} valid before SPICLK low (clock polarity = 1)	$2t_{c(SYSCLK)}$		
26	$t_{h(STE-SPCL)S}$	Hold time, \overline{SPISTE} invalid after SPICLK low (clock polarity = 0)	$2t_{c(SYSCLK)}$		ns
	$t_{h(STE-SPCH)S}$	Hold time, \overline{SPISTE} invalid after SPICLK high (clock polarity = 1)	$2t_{c(SYSCLK)}$		

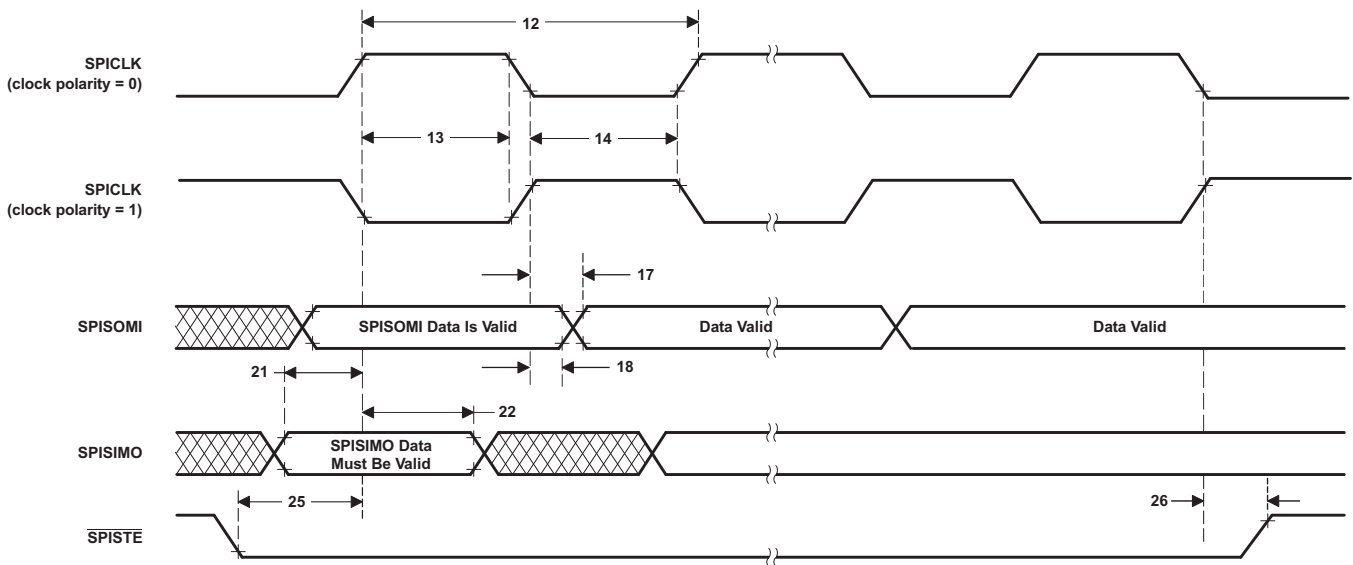


Figure 5-68. SPI Slave Mode External Timing (Clock Phase = 1)

5.10.5.1.5 High-Speed Master Mode External Timings Where Clock Phase = 0

Table 5-81 shows the high-speed SPI master mode external timings where (SPIBRR + 1) is even or SPIBRR = 0 or 2.

Table 5-82 shows the high-speed SPI master mode external timings where (SPIBRR + 1) is odd and SPIBRR > 3.

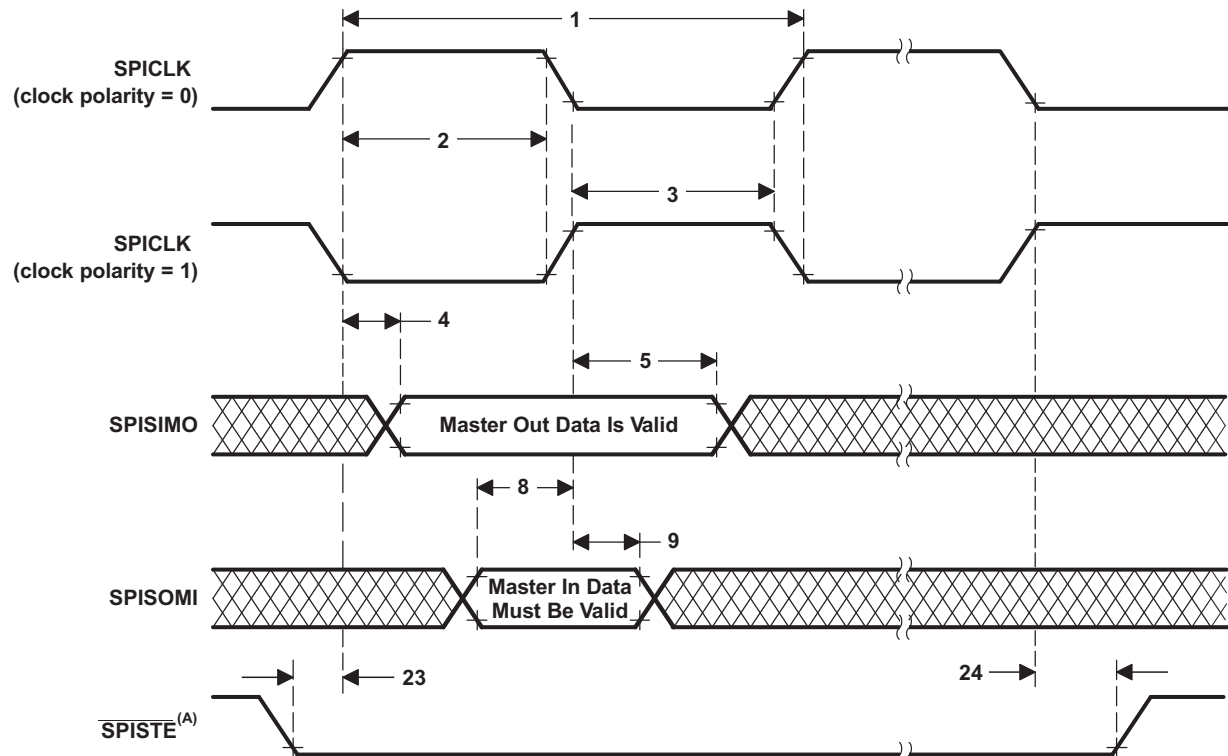
Figure 5-69 shows the high-speed SPI master mode external timing where the clock phase = 0.

Table 5-81. High-Speed SPI Master Mode External Timings Where (SPIBRR + 1) is Even or SPIBRR = 0 or 2

NO.			MIN	MAX	UNIT
1	$t_{c(SPC)M}$	Cycle time, SPICLK	$4t_{c(LSPCLK)}$	$128t_{c(LSPCLK)}$	ns
2	$t_{w(SPCH)M}$	Pulse duration, SPICLK high (clock polarity = 0)	$0.5t_{c(SPC)M} - 1$	$0.5t_{c(SPC)M} + 1$	ns
	$t_{w(SPCL)M}$	Pulse duration, SPICLK low (clock polarity = 1)	$0.5t_{c(SPC)M} - 1$	$0.5t_{c(SPC)M} + 1$	
3	$t_{w(SPCL)M}$	Pulse duration, SPICLK low (clock polarity = 0)	$0.5t_{c(SPC)M} - 1$	$0.5t_{c(SPC)M} + 1$	ns
	$t_{w(SPCH)M}$	Pulse duration, SPICLK high (clock polarity = 1)	$0.5t_{c(SPC)M} - 1$	$0.5t_{c(SPC)M} + 1$	
4	$t_{d(SPCH-SIMO)M}$	Delay time, SPICLK high to SPISIMO valid (clock polarity = 0)		1	ns
	$t_{d(SPCL-SIMO)M}$	Delay time, SPICLK low to SPISIMO valid (clock polarity = 1)		1	
5	$t_{v(SPCL-SIMO)M}$	Valid time, SPISIMO data valid after SPICLK low (clock polarity = 0)	$0.5t_{c(SPC)M} - 1$		ns
	$t_{v(SPCH-SIMO)M}$	Valid time, SPISIMO data valid after SPICLK high (clock polarity = 1)	$0.5t_{c(SPC)M} - 1$		
8	$t_{su(SOMI-SPCL)M}$	Setup time, SPISOMI before SPICLK low (clock polarity = 0)	1		ns
	$t_{su(SOMI-SPCH)M}$	Setup time, SPISOMI before SPICLK high (clock polarity = 1)	1		
9	$t_{h(SPCL-SOMI)M}$	Hold time, SPISOMI data valid after SPICLK low (clock polarity = 0)	5		ns
	$t_{h(SPCH-SOMI)M}$	Hold time, SPISOMI data valid after SPICLK high (clock polarity = 1)	5		
23	$t_{d(STE-SPCH)M}$	Delay time, \overline{SPISTE} low to SPICLK high (clock polarity = 0)	$0.5t_{c(SPC)} - 1$		ns
	$t_{d(STE-SPCL)M}$	Delay time, \overline{SPISTE} low to SPICLK low (clock polarity = 1)	$0.5t_{c(SPC)} - 1$		
24	$t_{d(SPCL-STE)M}$	Delay time, SPICLK low to \overline{SPISTE} invalid (clock polarity = 0)	$0.5t_{c(SPC)} - 1$		ns
	$t_{d(SPCH-STE)M}$	Delay time, SPICLK high to \overline{SPISTE} invalid (clock polarity = 1)	$0.5t_{c(SPC)} - 1$		

Table 5-82. High-Speed SPI Master Mode External Timings Where (SPIBRR + 1) is Odd and SPIBRR > 3

NO.			MIN	MAX	UNIT
1	$t_{c(SPC)M}$	Cycle time, SPICLK	$5t_{c(LSPCLK)}$	$127t_{c(LSPCLK)}$	ns
2	$t_{w(SPCH)M}$	Pulse duration, SPICLK high (clock polarity = 0)	$0.5t_{c(SPC)M} + 0.5t_{c(LSPCLK)} - 1$	$0.5t_{c(SPC)M} + 0.5t_{c(LSPCLK)} + 1$	ns
	$t_{w(SPCL)M}$	Pulse duration, SPICLK low (clock polarity = 1)	$0.5t_{c(SPC)M} - 0.5t_{c(LSPCLK)} - 1$	$0.5t_{c(SPC)M} - 0.5t_{c(LSPCLK)} + 1$	
3	$t_{w(SPCL)M}$	Pulse duration, SPICLK low (clock polarity = 0)	$0.5t_{c(SPC)M} - 0.5t_{c(LSPCLK)} - 1$	$0.5t_{c(SPC)M} - 0.5t_{c(LSPCLK)} + 1$	ns
	$t_{w(SPCH)M}$	Pulse duration, SPICLK high (clock polarity = 1)	$0.5t_{c(SPC)M} + 0.5t_{c(LSPCLK)} - 1$	$0.5t_{c(SPC)M} + 0.5t_{c(LSPCLK)} + 1$	
4	$t_{d(SPCH-SIMO)M}$	Delay time, SPICLK high to SPISIMO valid (clock polarity = 0)		1	ns
	$t_{d(SPCL-SIMO)M}$	Delay time, SPICLK low to SPISIMO valid (clock polarity = 1)		1	
5	$t_{v(SPCL-SIMO)M}$	Valid time, SPISIMO data valid after SPICLK low (clock polarity = 0)	$0.5t_{c(SPC)M} + 0.5t_{c(LSPCLK)} - 1$		ns
	$t_{v(SPCH-SIMO)M}$	Valid time, SPISIMO data valid after SPICLK high (clock polarity = 1)	$0.5t_{c(SPC)M} + 0.5t_{c(LSPCLK)} - 1$		
8	$t_{su(SOMI-SPCL)M}$	Setup time, SPISOMI before SPICLK low (clock polarity = 0)	1		ns
	$t_{su(SOMI-SPCH)M}$	Setup time, SPISOMI before SPICLK high (clock polarity = 1)	1		
9	$t_{h(SPCL-SOMI)M}$	Hold time, SPISOMI data valid after SPICLK low (clock polarity = 0)	5		ns
	$t_{h(SPCH-SOMI)M}$	Hold time, SPISOMI data valid after SPICLK high (clock polarity = 1)	5		
23	$t_{d(STE-SPCH)M}$	Delay time, \overline{SPISTE} low to SPICLK high (clock polarity = 0)	$0.5t_{c(SPC)} - 1$		ns
	$t_{d(STE-SPCL)M}$	Delay time, \overline{SPISTE} low to SPICLK low (clock polarity = 1)	$0.5t_{c(SPC)} - 1$		
24	$t_{d(SPCL-STE)M}$	Delay time, SPICLK low to \overline{SPISTE} invalid (clock polarity = 0)	$0.5t_{c(SPC)} - 1$		ns
	$t_{d(SPCH-STE)M}$	Delay time, SPICLK high to \overline{SPISTE} invalid (clock polarity = 1)	$0.5t_{c(SPC)} - 1$		



- A. On the trailing end of the word, $\overline{\text{SPISTE}}$ will go inactive except between back-to-back transmit words in both FIFO and non-FIFO modes.

Figure 5-69. High-Speed SPI Master Mode External Timing (Clock Phase = 0)

5.10.5.1.6 High-Speed Master Mode External Timings Where Clock Phase = 1

Table 5-83 shows the high-speed SPI master mode external timings where (SPIBRR + 1) is even or SPIBRR = 0 or 2.

Table 5-84 shows the high-speed SPI master mode external timings where (SPIBRR + 1) is odd or SPIBRR > 3.

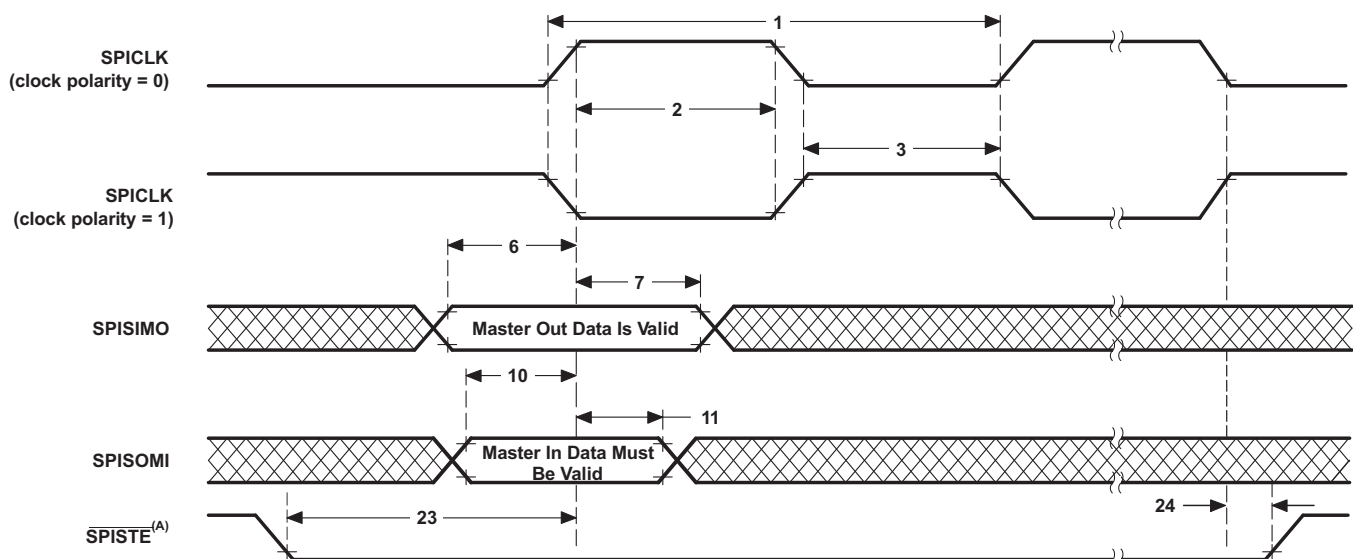
Figure 5-70 shows the high-speed SPI master mode external timing where the clock phase = 1.

Table 5-83. High-Speed SPI Master Mode External Timings Where (SPIBRR + 1) is Even or SPIBRR = 0 or 2

NO.			MIN	MAX	UNIT
1	$t_{c(SPC)M}$	Cycle time, SPICLK	$4t_{c(LSPCLK)}$	$128t_{c(LSPCLK)}$	ns
2	$t_{w(SPCH)M}$	Pulse duration, SPICLK high (clock polarity = 0)	$0.5t_{c(SPC)M} - 1$	$0.5t_{c(SPC)M} + 1$	ns
	$t_{w(SPCL)M}$	Pulse duration, SPICLK low (clock polarity = 1)	$0.5t_{c(SPC)M} - 1$	$0.5t_{c(SPC)M} + 1$	
3	$t_{w(SPCL)M}$	Pulse duration, SPICLK low (clock polarity = 0)	$0.5t_{c(SPC)M} - 1$	$0.5t_{c(SPC)M} + 1$	ns
	$t_{w(SPCH)M}$	Pulse duration, SPICLK high (clock polarity = 1)	$0.5t_{c(SPC)M} - 1$	$0.5t_{c(SPC)M} + 1$	
6	$t_{d(SIMO-SPCH)M}$	Delay time, SPISIMO data valid to SPICLK high (clock polarity = 0)	$0.5t_{c(SPC)M} - 1$		ns
	$t_{d(SIMO-SPCL)M}$	Delay time, SPISIMO data valid to SPICLK low (clock polarity = 1)	$0.5t_{c(SPC)M} - 1$		
7	$t_{v(SPCH-SIMO)M}$	Valid time, SPISIMO data valid after SPICLK high (clock polarity = 0)	$0.5t_{c(SPC)M} - 1$		ns
	$t_{v(SPCL-SIMO)M}$	Valid time, SPISIMO data valid after SPICLK low (clock polarity = 1)	$0.5t_{c(SPC)M} - 1$		
10	$t_{su(SOMI-SPCH)M}$	Setup time, SPISOMI before SPICLK high (clock polarity = 0)	1		ns
	$t_{su(SOMI-SPCL)M}$	Setup time, SPISOMI before SPICLK low (clock polarity = 1)	1		
11	$t_{h(SPCH-SOMI)M}$	Hold time, SPISOMI data valid after SPICLK high (clock polarity = 0)	5		ns
	$t_{h(SPCL-SOMI)M}$	Hold time, SPISOMI data valid after SPICLK low (clock polarity = 1)	5		
23	$t_{d(STE-SPCH)M}$	Delay time, \overline{SPISTE} low to SPICLK high (clock polarity = 0)	$0.5t_{c(SPC)} - 1$		ns
	$t_{d(STE-SPCL)M}$	Delay time, \overline{SPISTE} low to SPICLK low (clock polarity = 1)	$0.5t_{c(SPC)} - 1$		
24	$t_{d(SPCL-STE)M}$	Delay time, SPICLK low to \overline{SPISTE} invalid (clock polarity = 0)	$0.5t_{c(SPC)} - 1$		ns
	$t_{d(SPCH-STE)M}$	Delay time, SPICLK high to \overline{SPISTE} invalid (clock polarity = 1)	$0.5t_{c(SPC)} - 1$		

Table 5-84. High-Speed SPI Master Mode External Timings Where (SPIBRR + 1) is Odd or SPIBRR > 3

NO.			MIN	MAX	UNIT
1	$t_{c(SPC)M}$	Cycle time, SPICLK	$5t_{c(LSPCLK)}$	$127t_{c(LSPCLK)}$	ns
2	$t_{w(SPCH)M}$	Pulse duration, SPICLK high (clock polarity = 0)	$0.5t_{c(SPC)M} - 0.5t_{c(LSPCLK)} - 1$	$0.5t_{c(SPC)M} - 0.5t_{c(LSPCLK)} + 1$	ns
	$t_{w(SPCL)M}$	Pulse duration, SPICLK low (clock polarity = 1)	$0.5t_{c(SPC)M} + 0.5t_{c(LSPCLK)} - 1$	$0.5t_{c(SPC)M} + 0.5t_{c(LSPCLK)} + 1$	
3	$t_{w(SPCL)M}$	Pulse duration, SPICLK low (clock polarity = 0)	$0.5t_{c(SPC)M} + 0.5t_{c(LSPCLK)} - 1$	$0.5t_{c(SPC)M} + 0.5t_{c(LSPCLK)} + 1$	ns
	$t_{w(SPCH)M}$	Pulse duration, SPICLK high (clock polarity = 1)	$0.5t_{c(SPC)M} - 0.5t_{c(LSPCLK)} - 1$	$0.5t_{c(SPC)M} - 0.5t_{c(LSPCLK)} + 1$	
6	$t_{d(SIMO-SPCH)M}$	Delay time, SPISIMO data valid to SPICLK high (clock polarity = 0)	$0.5t_{c(SPC)M} - 0.5t_{c(LSPCLK)} - 1$		ns
	$t_{d(SIMO-SPCL)M}$	Delay time, SPISIMO data valid to SPICLK low (clock polarity = 1)	$0.5t_{c(SPC)M} + 0.5t_{c(LSPCLK)} - 1$		
7	$t_{v(SPCH-SIMO)M}$	Valid time, SPISIMO data valid after SPICLK high (clock polarity = 0)	$0.5t_{c(SPC)M} + 0.5t_{c(LSPCLK)} - 1$		ns
	$t_{v(SPCL-SIMO)M}$	Valid time, SPISIMO data valid after SPICLK low (clock polarity = 1)	$0.5t_{c(SPC)M} - 0.5t_{c(LSPCLK)} - 1$		
10	$t_{su(SOMI-SPCH)M}$	Setup time, SPISOMI before SPICLK high (clock polarity = 0)	1		ns
	$t_{su(SOMI-SPCL)M}$	Setup time, SPISOMI before SPICLK low (clock polarity = 1)	1		
11	$t_{h(SPCH-SOMI)M}$	Hold time, SPISOMI data valid after SPICLK high (clock polarity = 0)	5		ns
	$t_{h(SPCL-SOMI)M}$	Hold time, SPISOMI data valid after SPICLK low (clock polarity = 1)	5		
23	$t_{d(STE-SPCH)M}$	Delay time, \overline{SPISTE} low to SPICLK high (clock polarity = 0)	$0.5t_{c(SPC)} - 1$		ns
	$t_{d(STE-SPCL)M}$	Delay time, \overline{SPISTE} low to SPICLK low (clock polarity = 1)	$0.5t_{c(SPC)} - 1$		
24	$t_{d(SPCL-STE)M}$	Delay time, SPICLK low to \overline{SPISTE} invalid (clock polarity = 0)	$0.5t_{c(SPC)} - 1$		ns
	$t_{d(SPCH-STE)M}$	Delay time, SPICLK high to \overline{SPISTE} invalid (clock polarity = 1)	$0.5t_{c(SPC)} - 1$		



A. On the trailing end of the word, \overline{SPISTE} will go inactive except between back-to-back transmit words in both FIFO and non-FIFO modes.

Figure 5-70. High-Speed SPI Master Mode External Timing (Clock Phase = 1)

5.10.5.1.7 High-Speed Slave Mode External Timings Where Clock Phase = 0

Table 5-85 and Figure 5-71 show the high-speed SPI slave mode external timings where the clock phase = 0.

Table 5-85. High-Speed SPI Slave Mode External Timings Where Clock Phase = 0

NO.			MIN	MAX	UNIT
12	$t_{c(SPC)S}$	Cycle time, SPICLK	$4t_{c(SYCLK)}$		ns
13	$t_{w(SPCH)S}$	Pulse duration, SPICLK high (clock polarity = 0)	$2t_{c(SYCLK)} - 1$		ns
	$t_{w(SPCL)S}$	Pulse duration, SPICLK low (clock polarity = 1)	$2t_{c(SYCLK)} - 1$		
14	$t_{w(SPCL)S}$	Pulse duration, SPICLK low (clock polarity = 0)	$2t_{c(SYCLK)} - 1$		ns
	$t_{w(SPCH)S}$	Pulse duration, SPICLK high (clock polarity = 1)	$2t_{c(SYCLK)} - 1$		
15	$t_{d(SPCH-SOM)S}$	Delay time, SPICLK high to SPISOMI valid (clock polarity = 0)		9	ns
	$t_{d(SPCL-SOM)S}$	Delay time, SPICLK low to SPISOMI valid (clock polarity = 1)		9	
16	$t_{v(SPCH-SOM)S}$	Valid time, SPISOMI data valid after SPICLK high (clock polarity = 0)	0		ns
	$t_{v(SPCL-SOM)S}$	Valid time, SPISOMI data valid after SPICLK low (clock polarity = 1)	0		
19	$t_{su(SIMO-SPCL)S}$	Setup time, SPISIMO before SPICLK low (clock polarity = 0)	5		ns
	$t_{su(SIMO-SPCH)S}$	Setup time, SPISIMO before SPICLK high (clock polarity = 1)	5		
20	$t_{h(SPCL-SIMO)S}$	Hold time, SPISIMO data valid after SPICLK low (clock polarity = 0)	5		ns
	$t_{h(SPCH-SIMO)S}$	Hold time, SPISIMO data valid after SPICLK high (clock polarity = 1)	5		
25	$t_{su(STE-SPCH)S}$	Setup time, \overline{SPISTE} valid before SPICLK high (clock polarity = 0)	$2t_{c(SYCLK)}$		ns
	$t_{su(STE-SPCL)S}$	Setup time, \overline{SPISTE} valid before SPICLK low (clock polarity = 1)	$2t_{c(SYCLK)}$		
26	$t_{h(SPCL-STE)S}$	Hold time, \overline{SPISTE} invalid after SPICLK low (clock polarity = 0)	$2t_{c(SYCLK)}$		ns
	$t_{h(SPCH-STE)S}$	Hold time, \overline{SPISTE} invalid after SPICLK high (clock polarity = 1)	$2t_{c(SYCLK)}$		

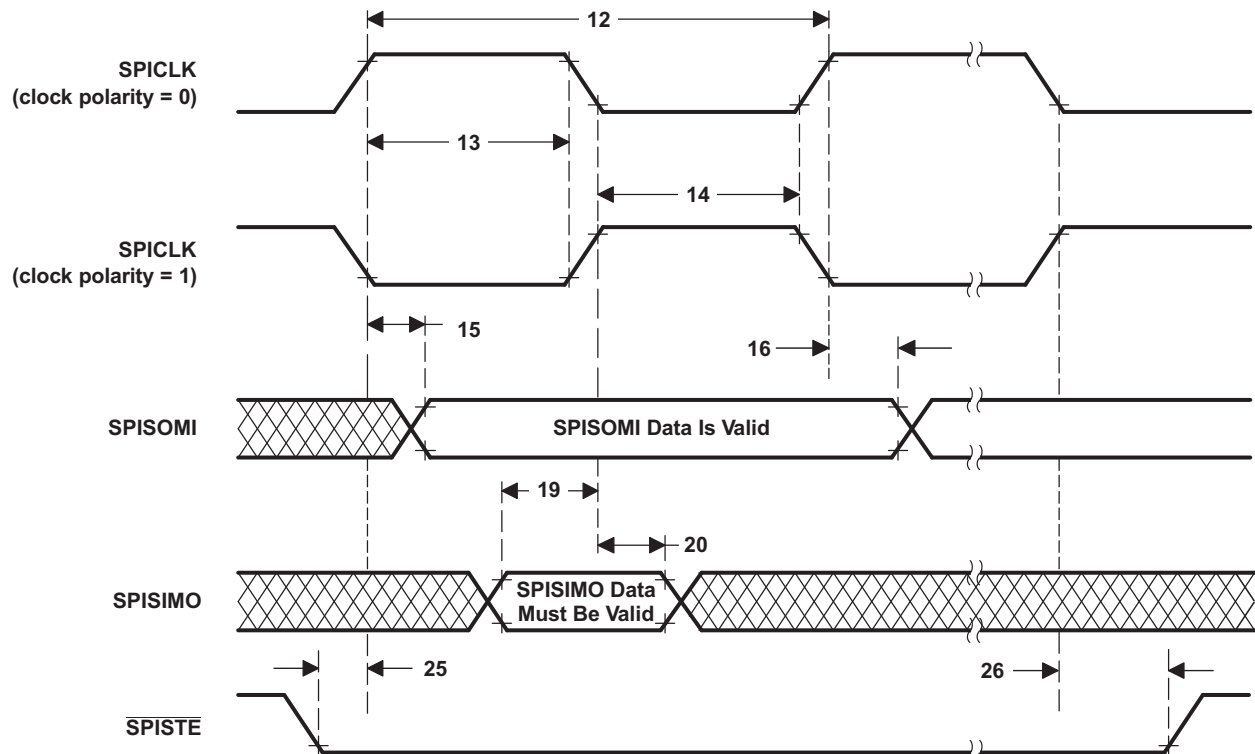


Figure 5-71. High-Speed SPI Slave Mode External Timing (Clock Phase = 0)

5.10.5.1.8 High-Speed Slave Mode External Timings Where Clock Phase = 1

Table 5-86 and Figure 5-72 show the high-speed SPI slave mode external timings where the clock phase = 1.

Table 5-86. High-Speed SPI Slave Mode External Timings Where Clock Phase = 1

NO.			MIN	MAX	UNIT
12	$t_{c(SPC)S}$	Cycle time, SPICLK	$8t_{c(SYSCLK)}$		ns
13	$t_{w(SPCH)S}$	Pulse duration, SPICLK high (clock polarity = 0)	$4t_{c(SYSCLK)} - 1$		ns
	$t_{w(SPCL)S}$	Pulse duration, SPICLK low (clock polarity = 1)	$4t_{c(SYSCLK)} - 1$		
14	$t_{w(SPCL)S}$	Pulse duration, SPICLK low (clock polarity = 0)	$4t_{c(SYSCLK)} - 1$		ns
	$t_{w(SPCH)S}$	Pulse duration, SPICLK high (clock polarity = 1)	$4t_{c(SYSCLK)} - 1$		
17	$t_{d(SPCL-SOMI)S}$	Delay time, SPICLK low to SPISOMI (clock polarity = 0)		9	ns
	$t_{d(SPCH-SOMI)S}$	Delay time, SPICLK high to SPISOMI (clock polarity = 1)		9	
18	$t_{v(SPCL-SOMI)S}$	Valid time, SPISOMI data valid after SPICLK low (clock polarity = 0)	0		ns
	$t_{v(SPCH-SOMI)S}$	Valid time, SPISOMI data valid after SPICLK high (clock polarity = 1)	0		
21	$t_{su(SIMO-SPCH)S}$	Setup time, SPISIMO before SPICLK high (clock polarity = 0)	5		ns
	$t_{su(SIMO-SPCL)S}$	Setup time, SPISIMO before SPICLK low (clock polarity = 1)	5		
22	$t_{h(SPCH-SIMO)S}$	Hold time, SPISIMO data valid after SPICLK high (clock polarity = 0)	5		ns
	$t_{h(SPCL-SIMO)S}$	Hold time, SPISIMO data valid after SPICLK low (clock polarity = 1)	5		
25	$t_{su(STE-SPCH)S}$	Setup time, \overline{SPISTE} valid before SPICLK high (clock polarity = 0)	$2t_{c(SYSCLK)}$		ns
	$t_{su(STE-SPCL)S}$	Setup time, \overline{SPISTE} valid before SPICLK low (clock polarity = 1)	$2t_{c(SYSCLK)}$		
26	$t_{h(STE-SPCL)S}$	Hold time, \overline{SPISTE} invalid after SPICLK low (clock polarity = 0)	$2t_{c(SYSCLK)}$		ns
	$t_{h(STE-SPCH)S}$	Hold time, \overline{SPISTE} invalid after SPICLK high (clock polarity = 1)	$2t_{c(SYSCLK)}$		

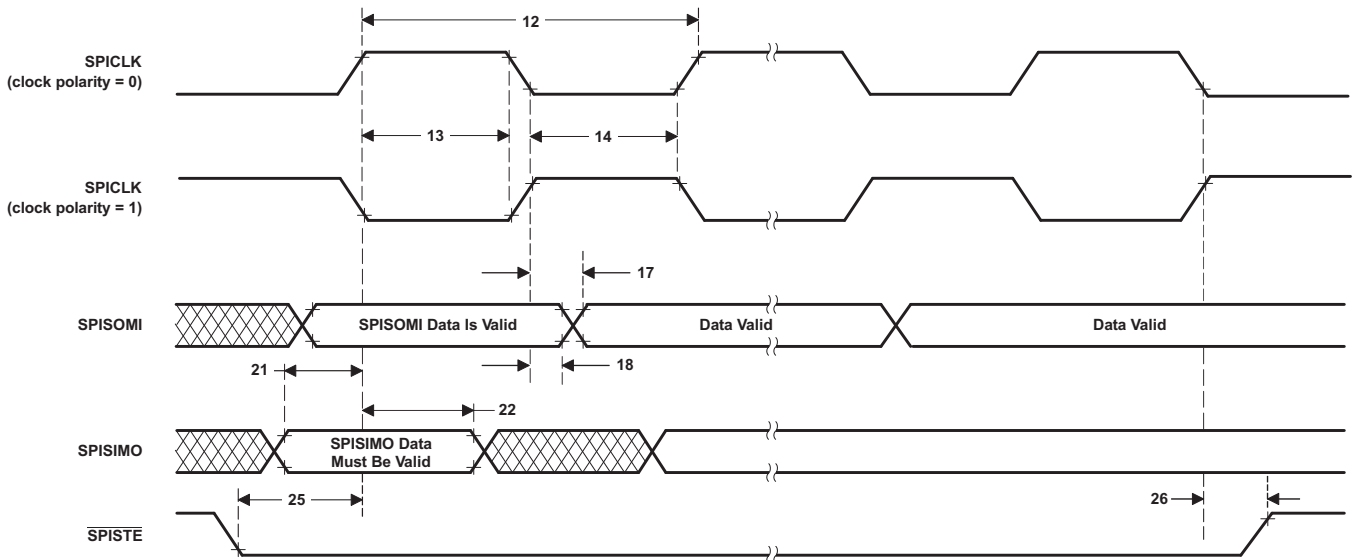


Figure 5-72. High-Speed SPI Slave Mode External Timing (Clock Phase = 1)

5.10.6 Universal Serial Bus (USB) Controller

The USB controller operates as a full-speed or low-speed function controller during point-to-point communications with USB host or device functions.

The USB module has the following features:

- USB 2.0 full-speed (12 Mbps) and low-speed (1.5 Mbps) operation
- Integrated PHY
- Three transfer types: control, interrupt, and bulk
- 32 endpoints
 - One dedicated control IN endpoint and one dedicated control OUT endpoint
 - 15 configurable IN endpoints and 15 configurable OUT endpoints
- 4KB of dedicated endpoint memory

Figure 5-73 shows the USB block diagram.

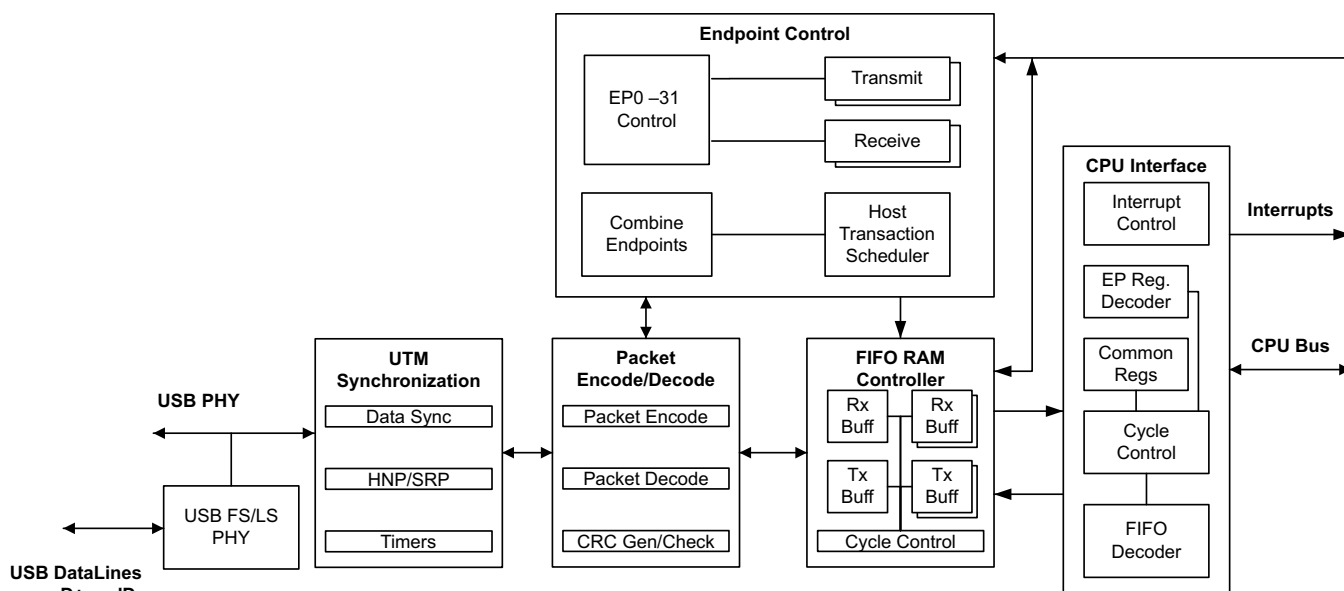


Figure 5-73. USB Block Diagram

NOTE

The accuracy of the on-chip zero-pin oscillator (Table 5-18, Internal Oscillator Electrical Characteristics) will not meet the accuracy requirements of the USB protocol. An external clock source must be used for applications using USB. For applications using the USB boot mode, see Section 6.9 (Boot ROM and Peripheral Booting) for clock frequency requirements.

5.10.6.1 USB Electrical Data and Timing

Table 5-87 shows the USB input ports DP and DM timing requirements. Table 5-88 shows the USB output ports DP and DM switching characteristics.

Table 5-87. USB Input Ports DP and DM Timing Requirements

		MIN	MAX	UNIT
V(CM)	Differential input common mode range	0.8	2.5	V
Z(IN)	Input impedance	300		kΩ
VCRS	Crossover voltage	1.3	2.0	V
V _{IL}	Static SE input logic-low level	0.8		V
V _{IH}	Static SE input logic-high level		2.0	V
VDI	Differential input voltage		0.2	V

Table 5-88. USB Output Ports DP and DM Switching Characteristics

over recommended operating conditions (unless otherwise noted)

PARAMETER	TEST CONDITIONS	MIN	MAX	UNIT
V _{OH}	D+, D– single-ended USB 2.0 load conditions	2.8	3.6	V
V _{OL}	D+, D– single-ended USB 2.0 load conditions	0	0.3	V
Z(DRV)	D+, D– impedance	28	44	Ω
t _r	Rise time Full speed, differential, C _L = 50 pF, 10%/90%, R _{pu} on D+	4	20	ns
t _f	Fall time Full speed, differential, C _L = 50 pF, 10%/90%, R _{pu} on D+	4	20	ns

6 Detailed Description

6.1 Overview

The TMS320F2807x microcontroller platform is part of the Piccolo family and is suited for advanced closed-loop control applications such as [industrial drives and servo motor control](#); [solar inverters and converters](#); [digital power](#); [transportation](#); and [power line communications](#). Complete development packages for digital power and industrial drives are available as part of the [powerSUITE](#) and [DesignDRIVE](#) initiatives.

The F2807x is a 32-bit floating-point microcontroller based on TI's industry-leading C28x core. This core is boosted by the trigonometric hardware accelerator which improves performance of trigonometric-based algorithms with CPU instructions such as sine, cosine, and arctangent functions, which are common in torque-loop and position calculations.

The F2807x microcontroller family features a CLA real-time control co-processor. The CLA is an independent 32-bit floating-point processor that runs at the same speed as the main CPU. The CLA responds to peripheral triggers and executes code concurrently with the main C28x CPU. This parallel processing capability can effectively double the computational performance of a real-time control system. By using the CLA to service time-critical functions, the main C28x CPU is free to perform other tasks, such as communications and diagnostics.

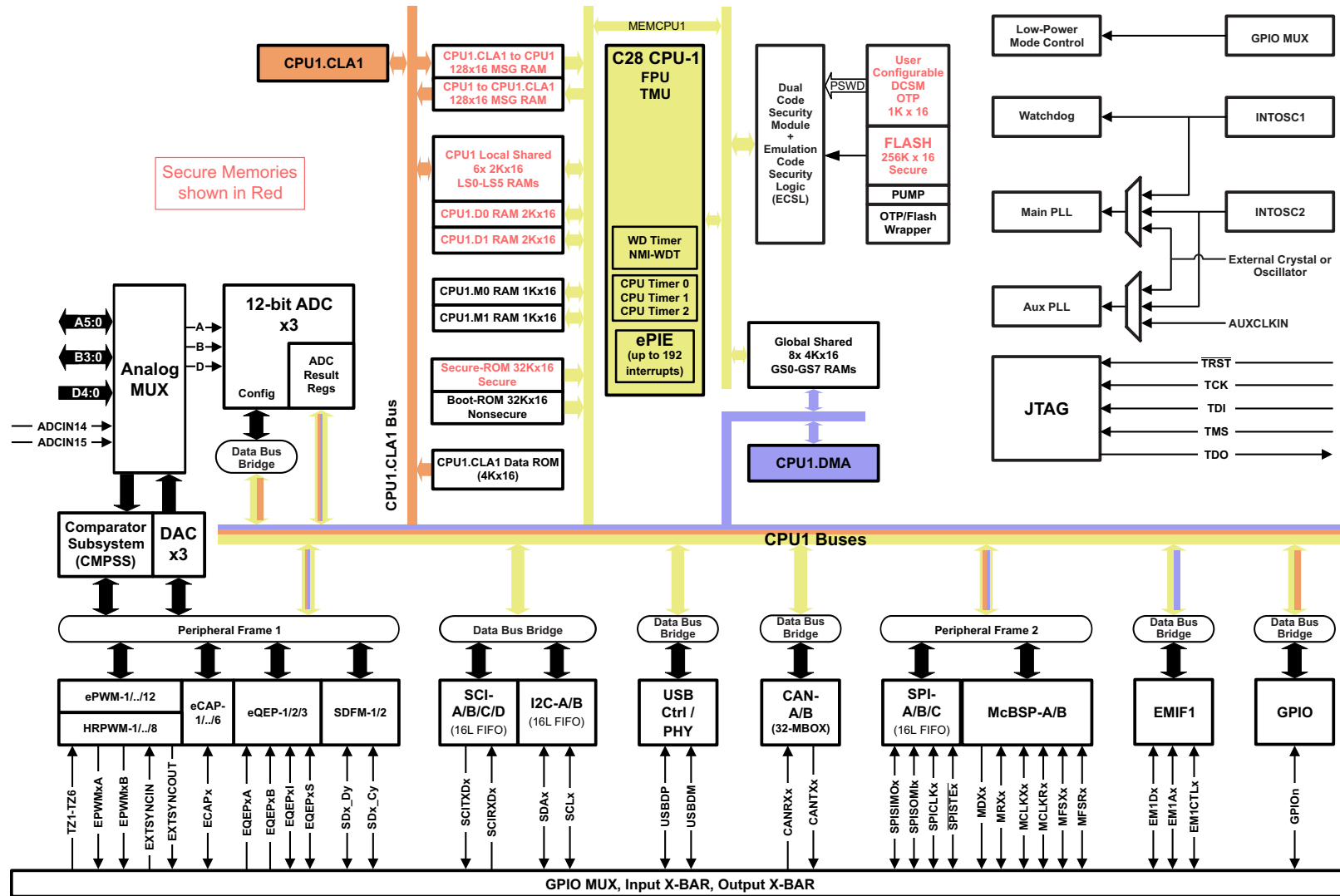
The F2807x device supports up to 512KB (256KW) of ECC-protected onboard flash memory and up to 100KB (50KW) of SRAM with parity. Two independent security zones are also available for 128-bit code protection of the main C28x.

The analog subsystem boasts up to three 12-bit ADCs, which enable simultaneous management of three independent power phases, and up to eight windowed comparator subsystems (CMPSSs), allowing very fast, direct trip of the PWMs in overvoltage or overcurrent conditions. In addition, the device has three 12-bit DACs, and precision control peripherals such as enhanced pulse width modulators (ePWMs) with fault protection, eQEP peripherals, and eCAP units.

Connectivity peripherals such as dual Controller Area Network (CAN) modules (ISO11898-1/CAN 2.0B-compliant) and a USB 2.0 port with MAC and full-speed PHY let users add universal serial bus (USB) connectivity to their application.

6.2 Functional Block Diagram

[Figure 6-1](#) shows the CPU system and associated peripherals.



Copyright © 2016, Texas Instruments Incorporated

Figure 6-1. Functional Block Diagram

6.3 Memory

6.3.1 C28x Memory Map

The C28x memory map is described in [Table 6-1](#). Memories accessible by the CLA or DMA (direct memory access) are noted as well.

Table 6-1. C28x Memory Map

MEMORY	SIZE	START ADDRESS	END ADDRESS	CLA ACCESS	DMA ACCESS
M0 RAM	1K x 16	0x0000 0000	0x0000 03FF		
M1 RAM	1K x 16	0x0000 0400	0x0000 07FF		
PieVectTable	512 x 16	0x0000 0D00	0x0000 0EFF		
CLA to CPU MSGRAM	128 x 16	0x0000 1480	0x0000 14FF	Yes	
CPU to CLA MSGRAM	128 x 16	0x0000 1500	0x0000 157F	Yes	
LS0 RAM	2K x 16	0x0000 8000	0x0000 87FF	Yes	
LS1 RAM	2K x 16	0x0000 8800	0x0000 8FFF	Yes	
LS2 RAM	2K x 16	0x0000 9000	0x0000 97FF	Yes	
LS3 RAM	2K x 16	0x0000 9800	0x0000 9FFF	Yes	
LS4 RAM	2K x 16	0x0000 A000	0x0000 A7FF	Yes	
LS5 RAM	2K x 16	0x0000 A800	0x0000 AFFF	Yes	
D0 RAM	2K x 16	0x0000 B000	0x0000 B7FF		
D1 RAM	2K x 16	0x0000 B800	0x0000 BFFF		
GS0 RAM	4K x 16	0x0000 C000	0x0000 CFFF		Yes
GS1 RAM	4K x 16	0x0000 D000	0x0000 DFFF		Yes
GS2 RAM	4K x 16	0x0000 E000	0x0000 EFFF		Yes
GS3 RAM	4K x 16	0x0000 F000	0x0000 FFFF		Yes
GS4 RAM	4K x 16	0x0001 0000	0x0001 0FFF		Yes
GS5 RAM	4K x 16	0x0001 1000	0x0001 1FFF		Yes
GS6 RAM	4K x 16	0x0001 2000	0x0001 2FFF		Yes
GS7 RAM	4K x 16	0x0001 3000	0x0001 3FFF		Yes
CAN A Message RAM	2K x 16	0x0004 9000	0x0004 97FF		
CAN B Message RAM	2K x 16	0x0004 B000	0x0004 B7FF		
Flash Bank 0	256K x 16	0x0008 0000	0x000B FFFF		
Secure ROM	32K x 16	0x003F 0000	0x003F 7FFF		
Boot ROM	32K x 16	0x003F 8000	0x003F FFBF		
Vectors	64 x 16	0x003F FFC0	0x003F FFFF		

6.3.2 Flash Memory Map

The F28075 device has one flash bank of 512KB (256KW). See [Section 5.7.4](#) for details on flash wait-states. [Table 6-2](#) shows the addresses of flash sectors.

Table 6-2. Addresses of Flash Sectors on F28075

SECTOR	SIZE	START ADDRESS	END ADDRESS
OTP Sectors			
TI OTP Bank 0	1K x 16	0x0007 0000	0x0007 03FF
User configurable DCSM OTP Bank 0	1K x 16	0x0007 8000	0x0007 83FF
Bank 0 Sectors			
Sector A	8K x 16	0x0008 0000	0x0008 1FFF
Sector B	8K x 16	0x0008 2000	0x0008 3FFF
Sector C	8K x 16	0x0008 4000	0x0008 5FFF
Sector D	8K x 16	0x0008 6000	0x0008 7FFF
Sector E	32K x 16	0x0008 8000	0x0008 FFFF
Sector F	32K x 16	0x0009 0000	0x0009 7FFF
Sector G	32K x 16	0x0009 8000	0x0009 FFFF
Sector H	32K x 16	0x000A 0000	0x000A 7FFF
Sector I	32K x 16	0x000A 8000	0x000A FFFF
Sector J	32K x 16	0x000B 0000	0x000B 7FFF
Sector K	8K x 16	0x000B 8000	0x000B 9FFF
Sector L	8K x 16	0x000B A000	0x000B BFFF
Sector M	8K x 16	0x000B C000	0x000B DFFF
Sector N	8K x 16	0x000B E000	0x000B FFFF
Flash Error Correction Code (ECC) Locations			
TI OTP ECC Bank 0	128 x 16	0x0107 0000	0x0107 007F
User-configurable DCSM OTP ECC Bank 0	128 x 16	0x0107 1000	0x0107 107F
Flash ECC Bank 0	32K x 16	0x0108 0000	0x0108 7FFF

6.3.3 EMIF Chip Select Memory Map

The EMIF memory map is shown in [Table 6-3](#).

Table 6-3. EMIF Chip Select Memory Map

EMIF CHIP SELECT	SIZE	START ADDRESS	END ADDRESS	CLA ACCESS	DMA ACCESS
EMIF1_CS0n - Data	256M x 16	0x8000 0000	0x8FFF FFFF		Yes
EMIF1_CS2n - Program + Data	2M x 16	0x0010 0000	0x002F FFFF		Yes
EMIF1_CS3n - Program + Data	512K x 16	0x0030 0000	0x0037 FFFF		Yes
EMIF1_CS4n - Program + Data	393K x 16	0x0038 0000	0x003D FFFF		Yes

6.3.4 Peripheral Registers Memory Map

The peripheral registers memory map can be found in [Table 6-4](#). Registers in the peripheral frames share a secondary master (CLA or DMA) selection with all other registers within the same peripheral frame. See the [TMS320F2807x Piccolo Microcontrollers Technical Reference Manual](#) for details on the CPU subsystem and secondary master selection.

Table 6-4. Peripheral Registers Memory Map

REGISTERS	STRUCTURE NAME	START ADDRESS	END ADDRESS	PROTECTED ⁽¹⁾	CLA ACCESS	DMA ACCESS
AdcaResultRegs	ADC_RESULT_REGS	0x0000 0B00	0x0000 0B1F		Yes	Yes
AdcbResultRegs	ADC_RESULT_REGS	0x0000 0B20	0x0000 0B3F		Yes	Yes
AdcdResultRegs	ADC_RESULT_REGS	0x0000 0B60	0x0000 0B7F		Yes	Yes
CpuTimer0Regs	CPUTIMER_REGS	0x0000 0C00	0x0000 0C07			
CpuTimer1Regs	CPUTIMER_REGS	0x0000 0C08	0x0000 0C0F			
CpuTimer2Regs	CPUTIMER_REGS	0x0000 0C10	0x0000 0C17			
PieCtrlRegs	PIE_CTRL_REGS	0x0000 0CE0	0x0000 0CFF			
Cla1SoftIntRegs	CLA_SOFTINT_REGS	0x0000 0CE0	0x0000 0CFF		Yes – CLA only, no CPU access	
DmaRegs	DMA_REGS	0x0000 1000	0x0000 11FF			
Cla1Regs	CLA_REGS	0x0000 1400	0x0000 147F			
Peripheral Frame 1						
EPwm1Regs	EPWM_REGS	0x0000 4000	0x0000 40FF	Yes	Yes	Yes
EPwm2Regs	EPWM_REGS	0x0000 4100	0x0000 41FF	Yes	Yes	Yes
EPwm3Regs	EPWM_REGS	0x0000 4200	0x0000 42FF	Yes	Yes	Yes
EPwm4Regs	EPWM_REGS	0x0000 4300	0x0000 43FF	Yes	Yes	Yes
EPwm5Regs	EPWM_REGS	0x0000 4400	0x0000 44FF	Yes	Yes	Yes
EPwm6Regs	EPWM_REGS	0x0000 4500	0x0000 45FF	Yes	Yes	Yes
EPwm7Regs	EPWM_REGS	0x0000 4600	0x0000 46FF	Yes	Yes	Yes
EPwm8Regs	EPWM_REGS	0x0000 4700	0x0000 47FF	Yes	Yes	Yes
EPwm9Regs	EPWM_REGS	0x0000 4800	0x0000 48FF	Yes	Yes	Yes
EPwm10Regs	EPWM_REGS	0x0000 4900	0x0000 49FF	Yes	Yes	Yes
EPwm11Regs	EPWM_REGS	0x0000 4A00	0x0000 4AFF	Yes	Yes	Yes
EPwm12Regs	EPWM_REGS	0x0000 4B00	0x0000 4BFF	Yes	Yes	Yes
ECap1Regs	ECAP_REGS	0x0000 5000	0x0000 501F	Yes	Yes	Yes
ECap2Regs	ECAP_REGS	0x0000 5020	0x0000 503F	Yes	Yes	Yes
ECap3Regs	ECAP_REGS	0x0000 5040	0x0000 505F	Yes	Yes	Yes
ECap4Regs	ECAP_REGS	0x0000 5060	0x0000 507F	Yes	Yes	Yes
ECap5Regs	ECAP_REGS	0x0000 5080	0x0000 509F	Yes	Yes	Yes
ECap6Regs	ECAP_REGS	0x0000 50A0	0x0000 50BF	Yes	Yes	Yes
EQep1Regs	EQEP_REGS	0x0000 5100	0x0000 513F	Yes	Yes	Yes
EQep2Regs	EQEP_REGS	0x0000 5140	0x0000 517F	Yes	Yes	Yes

Table 6-4. Peripheral Registers Memory Map (continued)

REGISTERS	STRUCTURE NAME	START ADDRESS	END ADDRESS	PROTECTED ⁽¹⁾	CLA ACCESS	DMA ACCESS
EQep3Regs	EQEP_REGS	0x0000 5180	0x0000 51BF	Yes	Yes	Yes
DacaRegs	DAC_REGS	0x0000 5C00	0x0000 5C0F	Yes	Yes	Yes
DacbRegs	DAC_REGS	0x0000 5C10	0x0000 5C1F	Yes	Yes	Yes
DaccRegs	DAC_REGS	0x0000 5C20	0x0000 5C2F	Yes	Yes	Yes
Cmpss1Regs	CMPSS_REGS	0x0000 5C80	0x0000 5C9F	Yes	Yes	Yes
Cmpss2Regs	CMPSS_REGS	0x0000 5CA0	0x0000 5CBF	Yes	Yes	Yes
Cmpss3Regs	CMPSS_REGS	0x0000 5CC0	0x0000 5CDF	Yes	Yes	Yes
Cmpss4Regs	CMPSS_REGS	0x0000 5CE0	0x0000 5CFF	Yes	Yes	Yes
Cmpss5Regs	CMPSS_REGS	0x0000 5D00	0x0000 5D1F	Yes	Yes	Yes
Cmpss6Regs	CMPSS_REGS	0x0000 5D20	0x0000 5D3F	Yes	Yes	Yes
Cmpss7Regs	CMPSS_REGS	0x0000 5D40	0x0000 5D5F	Yes	Yes	Yes
Cmpss8Regs	CMPSS_REGS	0x0000 5D60	0x0000 5D7F	Yes	Yes	Yes
Sdfm1Regs	SDFM_REGS	0x0000 5E00	0x0000 5E7F	Yes	Yes	Yes
Sdfm2Regs	SDFM_REGS	0x0000 5E80	0x0000 5EFF	Yes	Yes	Yes
Peripheral Frame 2						
McbspaRegs	MCBSP_REGS	0x0000 6000	0x0000 603F	Yes	Yes	Yes
McbspbRegs	MCBSP_REGS	0x0000 6040	0x0000 607F	Yes	Yes	Yes
SpiaRegs	SPI_REGS	0x0000 6100	0x0000 610F	Yes	Yes	Yes
SpibRegs	SPI_REGS	0x0000 6110	0x0000 611F	Yes	Yes	Yes
SpicRegs	SPI_REGS	0x0000 6120	0x0000 612F	Yes	Yes	Yes
Peripheral Frame 3						
WdRegs	WD_REGS	0x0000 7000	0x0000 703F	Yes		
NmiIntruptRegs	NMI_INTRUPT_REGS	0x0000 7060	0x0000 706F	Yes		
XintRegs	XINT_REGS	0x0000 7070	0x0000 707F	Yes		
SciaRegs	SCI_REGS	0x0000 7200	0x0000 720F	Yes		
ScibRegs	SCI_REGS	0x0000 7210	0x0000 721F	Yes		
ScicRegs	SCI_REGS	0x0000 7220	0x0000 722F	Yes		
ScidRegs	SCI_REGS	0x0000 7230	0x0000 723F	Yes		
I2caRegs	I2C_REGS	0x0000 7300	0x0000 733F	Yes		
I2cbRegs	I2C_REGS	0x0000 7340	0x0000 737F	Yes		
AdcaRegs	ADC_REGS	0x0000 7400	0x0000 747F	Yes	Yes	
AdcbRegs	ADC_REGS	0x0000 7480	0x0000 74FF	Yes	Yes	
AdcdRegs	ADC_REGS	0x0000 7580	0x0000 75FF	Yes	Yes	
InputXbarRegs	INPUT_XBAR_REGS	0x0000 7900	0x0000 791F	Yes		
XbarRegs	XBAR_REGS	0x0000 7920	0x0000 793F	Yes		
TrigRegs	TRIG_REGS	0x0000 7940	0x0000 794F	Yes		
DmaClaSrcSelRegs	DMA_CLA_SRC_SEL_REGS	0x0000 7980	0x0000 798F	Yes		
EPwmXbarRegs	EPWM_XBAR_REGS	0x0000 7A00	0x0000 7A3F	Yes		
OutputXbarRegs	OUTPUT_XBAR_REGS	0x0000 7A80	0x0000 7ABF	Yes		
GpioCtrlRegs	GPIO_CTRL_REGS	0x0000 7C00	0x0000 7D7F	Yes		
GpioDataRegs	GPIO_DATA_REGS	0x0000 7F00	0x0000 7F2F	Yes	Yes	
UsbaRegs	USB_REGS	0x0004 0000	0x0004 0FFF	Yes		
Emif1Regs	EMIF_REGS	0x0004 7000	0x0004 77FF	Yes		
CanaRegs	CAN_REGS	0x0004 8000	0x0004 87FF	Yes		
CanbRegs	CAN_REGS	0x0004 A000	0x0004 A7FF	Yes		
FlashPumpSemaphoreRegs	FLASH_PUMP_SEMAPHORE_REGS	0x0005 0024	0x0005 0025	Yes		
DevCfgRegs	DEV_CFG_REGS	0x0005 D000	0x0005 D17F	Yes		
AnalogSubsysRegs	ANALOG_SUBSYS_REGS	0x0005 D180	0x0005 D1FF	Yes		
ClkCfgRegs	CLK_CFG_REGS	0x0005 D200	0x0005 D2FF	Yes		
CpuSysRegs	CPU_SYS_REGS	0x0005 D300	0x0005 D3FF	Yes		
RomPrefetchRegs	ROM_PREFETCH_REGS	0x0005 E608	0x0005 E60B	Yes		

Table 6-4. Peripheral Registers Memory Map (continued)

REGISTERS	STRUCTURE NAME	START ADDRESS	END ADDRESS	PROTECTED ⁽¹⁾	CLA ACCESS	DMA ACCESS
DcsmZ1Regs	DCSM_Z1_REGS	0x0005 F000	0x0005 F02F	Yes		
DcsmZ2Regs	DCSM_Z2_REGS	0x0005 F040	0x0005 F05F	Yes		
DcsmCommonRegs	DCSM_COMMON_REGS	0x0005 F070	0x0005 F07F	Yes		
MemCfgRegs	MEM_CFG_REGS	0x0005 F400	0x0005 F47F	Yes		
Emif1ConfigRegs	EMIF1_CONFIG_REGS	0x0005 F480	0x0005 F49F	Yes		
AccessProtectionRegs	ACCESS_PROTECTION_REGS	0x0005 F4C0	0x0005 F4FF	Yes		
MemoryErrorRegs	MEMORY_ERROR_REGS	0x0005 F500	0x0005 F53F	Yes		
RomWaitStateRegs	ROM_WAIT_STATE_REGS	0x0005 F540	0x0005 F541	Yes		
Flash0CtrlRegs	FLASH_CTRL_REGS	0x0005 F800	0x0005 FAFF	Yes		
Flash0EccRegs	FLASH_ECC_REGS	0x0005 FB00	0x0005 FB3F	Yes		

(1) The CPU (not applicable for CLA or DMA) contains a write followed by read protection mode to ensure that any read operation that follows a write operation within a protected address range is executed as written by delaying the read operation until the write is initiated.

6.3.5 Memory Types

Table 6-5 provides more information about each memory type.

Table 6-5. Memory Types

MEMORY TYPE	ECC-CAPABLE	PARITY	SECURITY	HIBERNATE RETENTION	ACCESS PROTECTION
M0, M1	Yes	–	–	Yes	–
D0, D1	Yes	–	Yes	–	Yes
LSx	–	Yes	Yes	–	Yes
GSx	–	Yes	–	–	Yes
CPU/CLA MSGRAM	–	Yes	Yes	–	Yes
Boot ROM	–	–	–	N/A	–
Secure ROM	–	–	Yes	N/A	–
Flash	Yes	–	Yes	N/A	N/A
User-configurable DCSM OTP	Yes	–	Yes	N/A	N/A

6.3.5.1 Dedicated RAM (Mx and Dx RAM)

The CPU subsystem has four dedicated ECC-capable RAM blocks: M0, M1, D0, and D1. M0/M1 memories are small nonsecure blocks that are tightly coupled with the CPU (that is, only the CPU has access to them). D0/D1 memories are secure blocks and also have the access-protection feature (CPU write/CPU fetch protection).

6.3.5.2 Local Shared RAM (LSx RAM)

RAM blocks which are dedicated to each subsystem and are accessible to its CPU and CLA only, are called local shared RAMs (LSx RAMs).

All LSx RAM blocks have parity. These memories are secure and have the access protection (CPU write/CPU fetch) feature.

By default, these memories are dedicated to the CPU only, and the user could choose to share these memories with the CLA by configuring the MSEL_LSx bit field in the LSxMSEL registers appropriately.

Table 6-6 shows the master access for the LSx RAM.

**Table 6-6. Master Access for LSx RAM
(With Assumption That all Other Access Protections are Disabled)**

MSEL_LSx	CLAPGM_LSx	CPU ALLOWED ACCESS	CLA ALLOWED ACCESS	COMMENT
00	X	All	–	LSx memory is configured as CPU dedicated RAM.
01	0	All	Data Read Data Write	LSx memory is shared between CPU and CLA1.
01	1	Emulation Read Emulation Write	Fetch Only	LSx memory is CLA1 program memory.

6.3.5.3 Global Shared RAM (GSx RAM)

RAM blocks which are accessible from both the CPU and DMA are called global shared RAMs (GSx RAMs). Both the CPU and DMA have full read and write access to these memories.

All GSx RAM blocks have parity.

The GSx RAMs have access protection (CPU write/CPU fetch/DMA write).

6.3.5.4 CLA Message RAM (CLA MSGRAM)

These RAM blocks can be used to share data between the CPU and CLA. The CLA has read and write access to the "CLA to CPU MSGRAM." The CPU has read and write access to the "CPU to CLA MSGRAM." The CPU and CLA both have read access to both MSGRAMs.

This RAM has parity.

6.4 Identification

Table 6-7 shows the Device Identification Registers.

Table 6-7. Device Identification Registers

NAME	ADDRESS	SIZE (x16)	DESCRIPTION
PARTIDH	0x0005 D00A	2	Device part identification number TMS320F28075 0x00FF 0500
REVID	0x0005 D00C	2	Silicon revision number Revision B 0x0000 0002 Revision C 0x0000 0003
UID_UNIQUE	0x0007 03C0	2	Unique identification number. This number is different on each individual device with the same PARTIDH. This can be used as a serial number in the application. This number is present only on TMS Revision C devices.

6.5 Bus Architecture – Peripheral Connectivity

Table 6-8 shows a broad view of the peripheral and configuration register accessibility from each bus master. Peripherals within peripheral frames 1 or 2 will all be mapped to the respective secondary master as a group (if SPI is assigned to CPU1.DMA, then McBSP is also assigned to CPU1.DMA).

Table 6-8. Bus Master Peripheral Access

PERIPHERALS (BY BUS ACCESS TYPE)	CPU1.DMA	CPU1.CLA1	CPU1
Peripheral Frame 1: <ul style="list-style-type: none"> • ePWM/HRPWM • SDFM • eCAP⁽¹⁾ • eQEP⁽¹⁾ • CMPSS⁽¹⁾ • DAC⁽¹⁾ 	Y	Y	Y
Peripheral Frame 2: <ul style="list-style-type: none"> • SPI • McBSP 	Y	Y	Y
SCI			Y
I ² C			Y
CAN			Y
ADC Configuration		Y	Y
EMIF1	Y		Y
USB			Y
Device Capability, Peripheral Reset, Peripheral CPU Select			Y
GPIO Pin Mapping and Configuration			Y
Analog System Control			Y
Reset Configuration			Y
Clock and PLL Configuration			Y
System Configuration (WD, NMIWD, LPM, Peripheral Clock Gating)			Y
Flash Configuration			Y
CPU Timers			Y
DMA and CLA Trigger Source Select			Y
GPIO Data ⁽²⁾		Y	Y
ADC Results	Y	Y	Y

(1) These modules are on a Peripheral Frame with DMA access; however, they cannot trigger a DMA transfer.

(2) The GPIO Data Registers are unique for each CPU1 and CPU1.CLAx. When the GPIO Pin Mapping Register is configured to assign a GPIO to a particular master, the respective GPIO Data Register will control the GPIO. See the General-Purpose Input/Output (GPIO) chapter of the [TMS320F2807x Piccolo Microcontrollers Technical Reference Manual](#) for more details.

6.6 C28x Processor

The CPU is a 32-bit fixed-point processor. This device draws from the best features of digital signal processing; reduced instruction set computing (RISC); and microcontroller architectures, firmware, and tool sets.

The CPU features include a modified Harvard architecture and circular addressing. The RISC features are single-cycle instruction execution, register-to-register operations, and modified Harvard architecture. The microcontroller features include ease of use through an intuitive instruction set, byte packing and unpacking, and bit manipulation. The modified Harvard architecture of the CPU enables instruction and data fetches to be performed in parallel. The CPU can read instructions and data while it writes data simultaneously to maintain the single-cycle instruction operation across the pipeline. The CPU does this over six separate address/data buses.

For more information on CPU architecture and instruction set, see the [TMS320C28x CPU and Instruction Set Reference Guide](#).

6.6.1 Floating-Point Unit

The C28x plus floating-point (C28x+FPU) processor extends the capabilities of the C28x fixed-point CPU by adding registers and instructions to support IEEE single-precision floating point operations.

Devices with the C28x+FPU include the standard C28x register set plus an additional set of floating-point unit registers. The additional floating-point unit registers are the following:

- Eight floating-point result registers, RnH (where n = 0–7)
- Floating-point Status Register (STF)
- Repeat Block Register (RB)

All of the floating-point registers, except the repeat block register, are shadowed. This shadowing can be used in high-priority interrupts for fast context save and restore of the floating-point registers.

For more information, see the [TMS320C28x Extended Instruction Sets Technical Reference Manual](#).

6.6.2 Trigonometric Math Unit

The TMU extends the capabilities of a C28x+FPU by adding instructions and leveraging existing FPU instructions to speed up the execution of common trigonometric and arithmetic operations listed in [Table 6-9](#).

Table 6-9. TMU Supported Instructions

INSTRUCTIONS	C EQUIVALENT OPERATION	PIPELINE CYCLES
MPY2PIF32 RaH,RbH	$a = b * 2\pi$	2/3
DIV2PIF32 RaH,RbH	$a = b / 2\pi$	2/3
DIVF32 RaH,RbH,RcH	$a = b/c$	5
SQRTF32 RaH,RbH	$a = \text{sqrt}(b)$	5
SINPUF32 RaH,RbH	$a = \sin(b*2\pi)$	4
COSPUF32 RaH,RbH	$a = \cos(b*2\pi)$	4
ATANPUF32 RaH,RbH	$a = \text{atan}(b)/2\pi$	4
QUADF32 RaH,RbH,RcH,RdH	Operation to assist in calculating ATANPU2	5

No changes have been made to existing instructions, pipeline or memory bus architecture. All TMU instructions use the existing FPU register set (R0H to R7H) to carry out their operations. A detailed explanation of the workings of the FPU can be found in the [TMS320C28x Extended Instruction Sets Technical Reference Manual](#).

6.7 Control Law Accelerator

The CLA is an independent single-precision (32-bit) FPU processor with its own bus structure, fetch mechanism, and pipeline. Eight individual CLA tasks can be specified. Each task is started by software or a peripheral such as the ADC, ePWM, eCAP, eQEP, or CPU Timer 0. The CLA executes one task at a time to completion. When a task completes, the main CPU is notified by an interrupt to the PIE and the CLA automatically begins the next highest-priority pending task. The CLA can directly access the ADC Result registers, ePWM, eCAP, eQEP, Comparator and DAC registers. Dedicated message RAMs provide a method to pass additional data between the main CPU and the CLA.

Figure 6-2 shows the CLA block diagram.

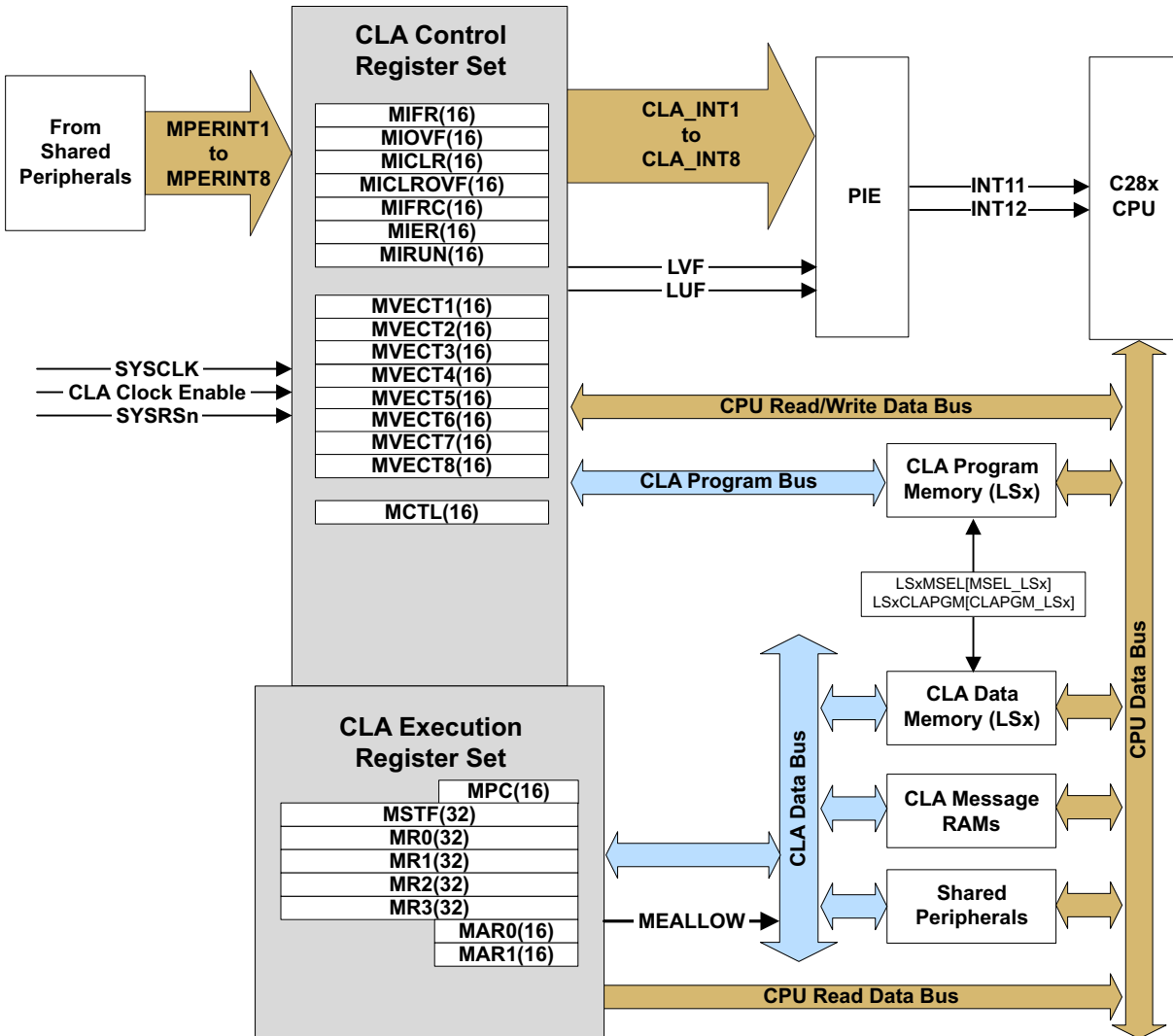


Figure 6-2. CLA Block Diagram

6.8 Direct Memory Access

The CPU has its own 6-channel DMA module. The DMA module provides a hardware method of transferring data between peripherals and/or memory without intervention from the CPU, thereby freeing up bandwidth for other system functions. Additionally, the DMA has the capability to orthogonally rearrange the data as it is transferred as well as “ping-pong” data between buffers. These features are useful for structuring data into blocks for optimal CPU processing.

The DMA module is an event-based machine, meaning it requires a peripheral or software trigger to start a DMA transfer. Although it can be made into a periodic time-driven machine by configuring a timer as the interrupt trigger source, there is no mechanism within the module itself to start memory transfers periodically. The interrupt trigger source for each of the six DMA channels can be configured separately and each channel contains its own independent PIE interrupt to let the CPU know when a DMA transfer has either started or completed. Five of the six channels are exactly the same, while Channel 1 has the ability to be configured at a higher priority than the others.

DMA features include:

- Six channels with independent PIE interrupts
- Peripheral interrupt trigger sources
 - ADC interrupts and EVT signals
 - Multichannel buffered serial port transmit and receive
 - External interrupts
 - CPU timers
 - EPWMxSOC signals
 - SPIx transmit and receive
 - SDFM
 - Software trigger
- Data sources and destinations:
 - GSx RAM
 - ADC result registers
 - ePWMx
 - SPI
 - McBSP
 - EMIF
- Word Size: 16-bit or 32-bit (SPI and McBSP limited to 16-bit)
- Throughput: four cycles/word (without arbitration)

Figure 6-3 shows a device-level block diagram of the DMA.

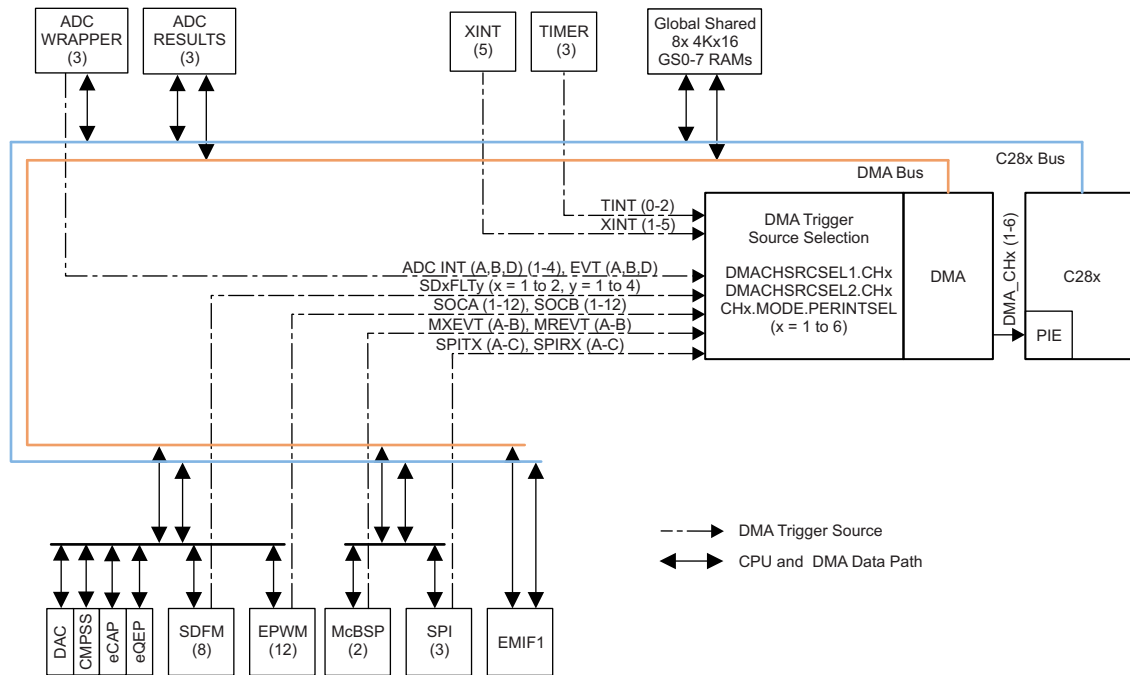


Figure 6-3. DMA Block Diagram

6.9 Boot ROM and Peripheral Booting

The device boot ROM contains bootloading software. The device boot ROM is executed each time the device comes out of reset. Users can configure the device to boot to flash (using GET mode) or choose to boot the device through one of the bootable peripherals by configuring the boot mode GPIO pins.

Table 6-10 shows the possible boot modes supported on the device. The default boot mode pins are GPIO72 (boot mode pin 1) and GPIO 84 (boot mode pin 0). Users may choose to have weak pullups for boot mode pins if they use a peripheral on these pins as well, so the pullups can be overdriven. On this device, customers can change the factory default boot mode pins by programming OTP locations. This is recommended only for cases in which the factory default boot mode pins do not fit into the customer design. More details on the locations to be programmed is available in the [TMS320F2807x Piccolo Microcontrollers Technical Reference Manual](#).

Table 6-10. Device Boot Mode

MODE NO.	CPU1 BOOT MODE	$\overline{\text{TRST}}$	GPIO72 (BOOT MODE PIN 1)	GPIO84 (BOOT MODE PIN 0)
0	Parallel IO	0	0	0
1	SCI Mode	0	0	1
2	Wait Boot Mode	0	1	0
3	Get Mode	0	1	1
4-7	EMU Boot Mode (Emulator Connected)	1	X	X

NOTE

The default behavior of Get mode is boot-to-flash. On unprogrammed devices, using Get mode will result in repeated watchdog resets, which may prevent proper JTAG connection and device initialization. Use Wait mode or another boot mode for unprogrammed devices.

CAUTION

Some reset sources are internally driven by the device. The user must ensure the pins used for boot mode are not actively driven by other devices in the system for these cases. The boot configuration has a provision for changing the boot pins in OTP. For more details, see the [TMS320F2807x Piccolo Microcontrollers Technical Reference Manual](#).

6.9.1 *EMU Boot or Emulation Boot*

The CPU enters this boot when it detects that $\overline{\text{TRST}}$ is HIGH (in other words, when an emulator/debugger is connected). In this mode, the user can program the EMUBOOTCTRL register (at location 0xD00) to instruct the device on how to boot. If the contents of the EMUBOOTCTRL locations are invalid, then the device would default into WAIT Boot mode. The emulation boot allows users to verify the device boot before programming the boot mode into OTP.

6.9.2 *WAIT Boot Mode*

The device in this boot mode loops in the boot ROM. This mode is useful if users want to connect a debugger on a secure device or if users do not want the device to execute an application in flash yet.

6.9.3 *Get Mode*

The default behavior of Get mode is boot-to-flash. This behavior can be changed by programming the Zx-OTPBOOTCTRL locations in user configurable DCSM OTP. The user configurable DCSM OTP on this device is divided in to two secure zones: Z1 and Z2. The Get mode function in boot ROM first checks if a valid OTPBOOTCTRL value is programmed in Z1. If the answer is yes, then the device boots as per the Z1-OTPBOOTCTRL location. The Z2-OTPBOOTCTRL location is read and decodes only if Z1-OTPBOOTCTRL is invalid or not programmed. If either Zx-OTPBOOTCTRL location is not programmed, then the device defaults to factory default operation, which is to use factory default boot mode pins to boot to flash if the boot mode pins are set to GET MODE. Users can choose the device through which to boot—SPI, I2C, CAN, and USB—by programming proper values into the user configurable DCSM OTP. More details on this can be found in the [TMS320F2807x Piccolo Microcontrollers Technical Reference Manual](#).

6.9.4 Peripheral Pins Used by Bootloaders

Table 6-11 shows the GPIO pins used by each peripheral bootloader. This device supports two sets of GPIOs for each mode, as shown in Table 6-11.

Table 6-11. GPIO Pins Used by Each Peripheral Bootloader

BOOTLOADER	GPIO PINS	NOTES
SCI-Boot0	SCITXDA: GPIO84 SCIRXDA: GPIO85	SCIA Boot IO option 1 (default SCI option when chosen through Boot Mode GPIOs)
SCI-Boot1	SCITXDA: GPIO28 SCIRXDA: GPIO29	SCIA Boot option 2 – with alternate IOs.
Parallel Boot	D0 – GPIO65 D1 – GPIO64 D2 – GPIO58 D3 – GPIO59 D4 – GPIO60 D5 – GPIO61 D6 – GPIO62 D7 – GPIO63 HOST_CTRL – GPIO70 DSP_CTRL – GPIO69	
CAN-Boot0	CANRXA: GPIO70 CANTXA: GPIO71	CAN-A Boot -IO Option 1
CAN-Boot1	CANRXA: GPIO62 CANTXA: GPIO63	CAN-A Boot -IO option 2
I2C-Boot0	SDAA: GPIO91 SCLA: GPIO92	I2CA Boot- IO option 1
I2C-Boot1	SDAA: GPIO32 SCLA: GPIO33	I2CA Boot- IO option 2
SPI-Boot0	SPISIMOA - GPIO58 SPISOMIA - GPIO59 SPICLKA - GPIO60 SPISTEA - GPIO61	SPIA Boot- IO Option 1
SPI-Boot1	SPISIMOA – GPIO16 SPISOMIA – GPIO17 SPICLKA – GPIO18 SPISTEA – GPIO19	SPIA Boot - IO Option 2
USB Boot	USB0DM - GPIO42 USB0DP - GPIO43	The USB Bootloader will switch the clock source to the external crystal oscillator (X1 and X2 pins). A 20-MHz crystal should be present on the board if this boot mode is selected.

6.10 Dual Code Security Module

The dual code security module (DCSM) prevents access to on-chip secure memories. The term “secure” means access to secure memories and resources is blocked. The term “unsecure” means access is allowed; for example, through a debugging tool such as Code Composer Studio™ (CSS).

The code security mechanism offers protection for two zones, Zone 1 (Z1) and Zone 2 (Z2). The security implementation for both the zones is identical. Each zone has its own dedicated secure resource (OTP memory and secure ROM) and allocated secure resource (CLA, LSx RAM, and flash sectors).

The security of each zone is ensured by its own 128-bit password (CSM password). The password for each zone is stored in an OTP memory location based on a zone-specific link pointer. The link pointer value can be changed to program a different set of security settings (including passwords) in OTP.

6.11 Timers

CPU-Timers 0, 1, and 2 are identical 32-bit timers with presetable periods and with 16-bit clock prescaling. The timers have a 32-bit count-down register that generates an interrupt when the counter reaches zero. The counter is decremented at the CPU clock speed divided by the prescale value setting. When the counter reaches zero, it is automatically reloaded with a 32-bit period value.

CPU-Timer 0 is for general use and is connected to the PIE block. CPU-Timer 1 is also for general use and is connected to INT13 of the CPU. CPU-Timer 2 is reserved for TI-RTOS. It is connected to INT14 of the CPU. If TI-RTOS is not being used, CPU-Timer 2 is available for general use.

CPU-Timer 2 can be clocked by any one of the following:

- SYSCLK (default)
- Internal zero-pin oscillator 1 (INTOSC1)
- Internal zero-pin oscillator 2 (INTOSC2)
- X1 (XTAL)
- AUXPLLCLK

6.12 Nonmaskable Interrupt With Watchdog Timer (NMIWD)

The NMIWD module is used to handle system-level errors. The conditions monitored are:

- Missing system clock due to oscillator failure
- Uncorrectable ECC error on CPU access to flash memory
- Uncorrectable ECC error on CPU, CLA, or DMA access to RAM

If the CPU does not respond to the latched error condition, then the NMI watchdog will trigger a reset after a programmable time interval. The default time is 65536 SYSCLK cycles.

6.13 Watchdog

The watchdog module is the same as the one on previous TMS320C2000 devices, but with an optional lower limit on the time between software resets of the counter. This windowed countdown is disabled by default, so the watchdog is fully backwards-compatible.

The watchdog generates either a reset or an interrupt. It is clocked from the internal oscillator with a selectable frequency divider.

Figure 6-4 shows the various functional blocks within the watchdog module.

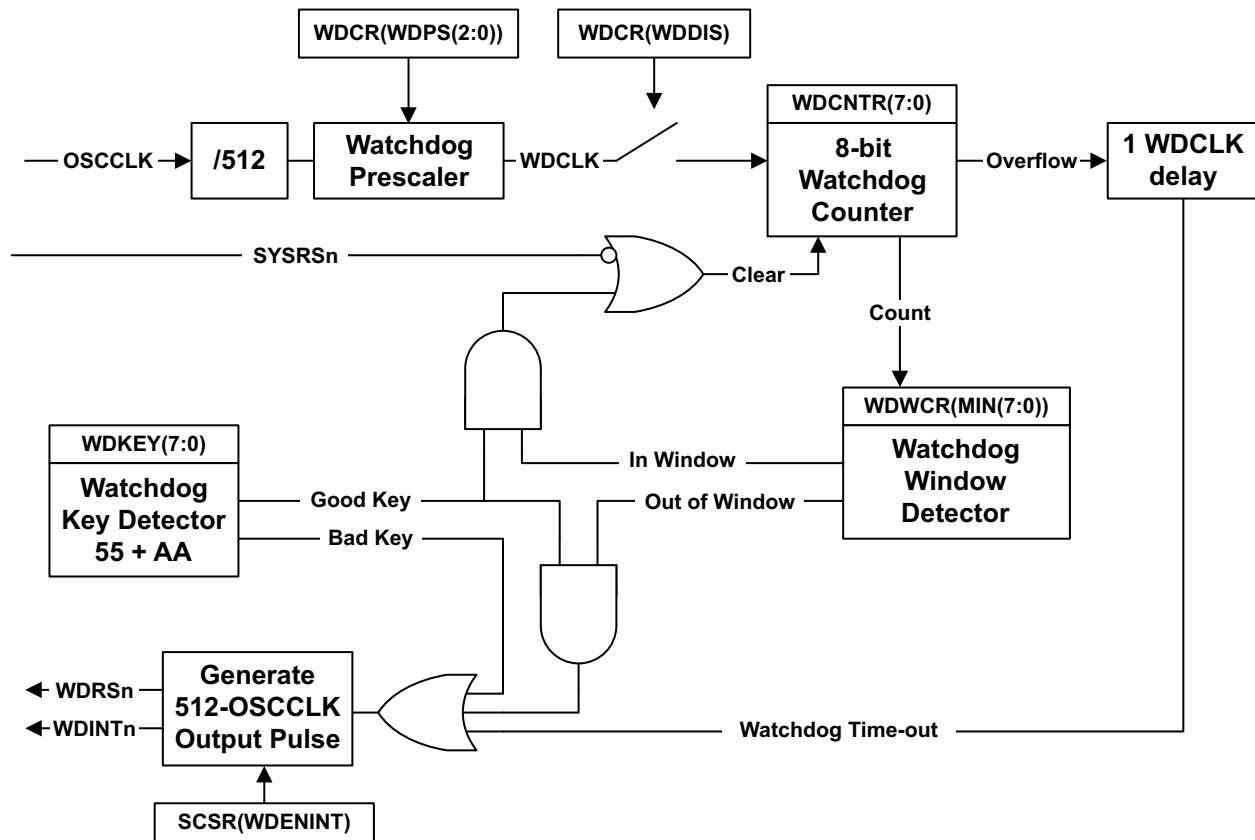


Figure 6-4. Windowed Watchdog

7 Applications, Implementation, and Layout

NOTE

Information in the following sections is not part of the TI component specification, and TI does not warrant its accuracy or completeness. TI's customers are responsible for determining suitability of components for their purposes. Customers should validate and test their design implementation to confirm system functionality.

7.1 TI Design or Reference Design

TI Designs Reference Design Library is a robust reference design library spanning analog, embedded processor, and connectivity. Created by TI experts to help you jump start your system design, all TI Designs include schematic or block diagrams, BOMs, and design files to speed your time to market. Search and download designs at [TIDesigns](#).

[Industrial Servo Drive and AC Inverter Drive Reference Design](#)

The DesignDRIVE Development Kit is a reference design for a complete industrial drive directly connecting to a three-phase ACI or PMSM motor. Many drive topologies can be created from the combined control, power, and communications technologies included on this single platform. This platform includes multiple position sensor interfaces, diverse current sensing techniques, hot-side partitioning options, and expansion for safety and industrial Ethernet.

[Differential Signal Conditioning Circuit for Current and Voltage Measurement Using Fluxgate Sensors](#)

This design provides a 4-channel signal conditioning solution for differential ADCs integrated into a microcontroller measuring motor current using fluxgate sensors. Also provided is an alternative measurement circuit with external differential SAR ADCs as well as circuits for high-speed overcurrent and earth fault detection. Proper differential signal conditioning improves noise immunity on critical current measurements in motor drives. This reference design can help increase the effective resolution of the analog-to-digital conversion, improving motor drive efficiency.

8 Device and Documentation Support

8.1 Device and Development Support Tool Nomenclature

To designate the stages in the product development cycle, TI assigns prefixes to the part numbers of all TMS320™ MCU devices and support tools. Each TMS320 MCU commercial family member has one of three prefixes: TMX, TMP, or TMS (for example, **TMS320F28075**). Texas Instruments recommends two of three possible prefix designators for its support tools: TMDX and TMDS. These prefixes represent evolutionary stages of product development from engineering prototypes (with TMX for devices and TMDX for tools) through fully qualified production devices and tools (with TMS for devices and TMDS for tools).

Device development evolutionary flow:

- TMX** Experimental device that is not necessarily representative of the final device's electrical specifications
- TMP** Final silicon die that conforms to the device's electrical specifications but has not completed quality and reliability verification
- TMS** Fully qualified production device

Support tool development evolutionary flow:

- TMDX** Development-support product that has not yet completed Texas Instruments internal qualification testing
- TMDS** Fully qualified development-support product

TMX and TMP devices and TMDX development-support tools are shipped against the following disclaimer:

"Developmental product is intended for internal evaluation purposes."

TMS devices and TMDS development-support tools have been characterized fully, and the quality and reliability of the device have been demonstrated fully. TI's standard warranty applies.

Predictions show that prototype devices (TMX or TMP) have a greater failure rate than the standard production devices. Texas Instruments recommends that these devices not be used in any production system because their expected end-use failure rate still is undefined. Only qualified production devices are to be used.

TI device nomenclature also includes a suffix with the device family name. This suffix indicates the package type (for example, PTP) and temperature range (for example, T). [Figure 8-1](#) provides a legend for reading the complete device name for any family member.

For device part numbers and further ordering information, see the TI website (www.ti.com) or contact your TI sales representative.

For additional description of the device nomenclature markings on the die, see the [TMS320F28075 Piccolo Microcontroller Silicon Errata](#).

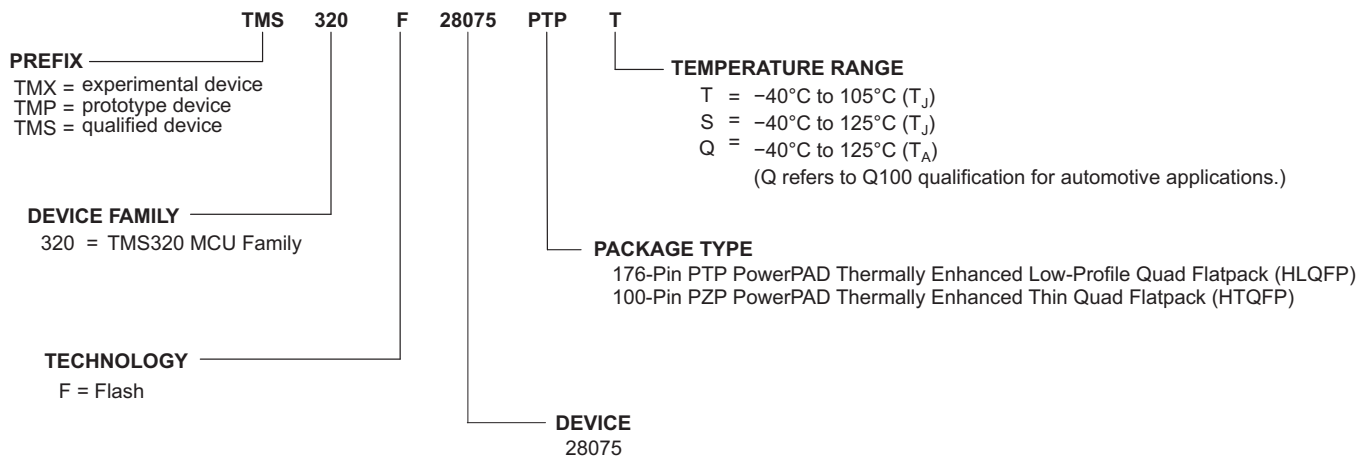


Figure 8-1. Device Nomenclature

8.2 Tools and Software

TI offers an extensive line of development tools. Some of the tools and software to evaluate the performance of the device, generate code, and develop solutions are listed below. To view all available tools and software for C2000™ real-time control MCUs, visit the [C2000 MCU Tools and Software](#) page.

Development Tools

[Piccolo F28075 Experimenter's Kit](#)

The Piccolo F2807x Experimenter's Kit is ideal for initial device exploration, software development and debug. The kit includes a TMDXCNC28075 controlCARD with the F28075 MCU, a docking station with onboard USB JTAG emulation enabling access to all controlCARD signals, a breadboard area and RS-232 and JTAG connectors.

[Piccolo F28075 controlCARD Kit](#)

The Piccolo F28075 controlCARD from Texas Instruments is ideal for initial software development and short run builds of system prototypes, test stands, and many other projects.

Software Tools

[controlSUITE™ Software Suite](#)

controlSUITE™ for C2000 microcontrollers is a cohesive set of software infrastructure and software tools designed to minimize software development time.

[Code Composer Studio \(CCS\) Integrated Development Environment \(IDE\)](#)

Code Composer Studio is an integrated development environment (IDE) that supports TI's Microcontroller and Embedded Processors portfolio. CCS comprises a suite of tools used to develop and debug embedded applications. CCS includes an optimizing C/C++ compiler, source code editor, project build environment, debugger, profiler, and many other features.

[Pin Mux Tool](#)

The Pin Mux Utility is a software tool which provides a Graphical User Interface for configuring pin multiplexing settings, resolving conflicts and specifying I/O cell characteristics for TI MPUs.

[F021 Flash Application Programming Interface \(API\)](#)

The F021 Flash Application Programming Interface (API) provides a software library of functions to program, erase, and verify F021 on-chip Flash memory.

Training

[C2000 Multi-Day Workshop](#)

The C2000™ Microcontroller 3-Day Workshop will decrease the learning curve from months to days, reduce development time, and accelerate product time to market! The workshop is perfect for both the beginner and advanced users. Based on TI's latest F28x7x devices, this workshop combines many of the common features and peripherals found on the Piccolo™ and Delfino™ families, making it ideal for anyone interested in learning about the C2000 MCU family of devices.

8.3 Documentation Support

To receive notification of documentation updates—including silicon errata—go to the product folder for your device on ti.com ([TMS320F28075](#)). In the upper right-hand corner, click the "Alert me" button. This registers you to receive a weekly digest of product information that has changed (if any). For change details, check the revision history of any revised document.

The current documentation that describes the processor, related peripherals, and other technical collateral is listed below.

Errata

[TMS320F28075 Piccolo Microcontroller Silicon Errata](#) describes known advisories on silicon and provides workarounds.

Technical Reference Manual

[TMS320F2807x Piccolo Microcontrollers Technical Reference Manual](#) details the integration, the environment, the functional description, and the programming models for each peripheral and subsystem in the 2807x microcontrollers.

CPU User's Guides

[TMS320C28x CPU and Instruction Set Reference Guide](#) describes the central processing unit (CPU) and the assembly language instructions of the TMS320C28x fixed-point digital signal processors (DSPs). This Reference Guide also describes emulation features available on these DSPs.

[TMS320C28x Extended Instruction Sets Technical Reference Manual](#) describes the architecture, pipeline, and instruction set of the TMU, VCU-II, and FPU accelerators.

Peripheral Guides

[C2000 Real-Time Control Peripherals Reference Guide](#) describes the peripheral reference guides of the 28x DSPs.

Tools Guides

[TMS320C28x Assembly Language Tools v15.12.0.LTS User's Guide](#) describes the assembly language tools (assembler and other tools used to develop assembly language code), assembler directives, macros, common object file format, and symbolic debugging directives for the TMS320C28x device.

[TMS320C28x Optimizing C/C++ Compiler v15.12.0.LTS User's Guide](#) describes the TMS320C28x C/C++ compiler. This compiler accepts ANSI standard C/C++ source code and produces TMS320 DSP assembly language source code for the TMS320C28x device.

[TMS320C28x Instruction Set Simulator Technical Overview](#) describes the simulator, available within the Code Composer Studio for TMS320C2000 IDE, that simulates the instruction set of the C28x core.

Application Reports

[Semiconductor Packing Methodology](#) describes the packing methodologies employed to prepare semiconductor devices for shipment to end users.

[Calculating Useful Lifetimes of Embedded Processors](#) provides a methodology for calculating the useful lifetime of TI embedded processors (EPs) under power when used in electronic systems. It is aimed at general engineers who wish to determine if the reliability of the TI EP meets the end system reliability requirement.

[Getting Started With TMS320C28x Digital Signal Controllers](#) provides tips on getting started with TMS320C28x DSP software and hardware development to aid in initial design and debug efforts.

8.4 Related Links

The table below lists quick access links. Categories include technical documents, support and community resources, tools and software, and quick access to sample or buy.

Table 8-1. Related Links

PARTS	PRODUCT FOLDER	SAMPLE & BUY	TECHNICAL DOCUMENTS	TOOLS & SOFTWARE	SUPPORT & COMMUNITY
TMS320F28075	Click here	Click here	Click here	Click here	Click here

8.5 Community Resources

The following links connect to TI community resources. Linked contents are provided "AS IS" by the respective contributors. They do not constitute TI specifications and do not necessarily reflect TI's views; see TI's [Terms of Use](#).

TI E2E™ Online Community *TI's Engineer-to-Engineer (E2E) Community*. Created to foster collaboration among engineers. At e2e.ti.com, you can ask questions, share knowledge, explore ideas and help solve problems with fellow engineers.

TI Embedded Processors Wiki *Texas Instruments Embedded Processors Wiki*. Established to help developers get started with Embedded Processors from Texas Instruments and to foster innovation and growth of general knowledge about the hardware and software surrounding these devices.

8.6 Trademarks

PowerPAD, Piccolo, Delfino, TMS320C2000, controlSUITE, Code Composer Studio, TMS320, E2E are trademarks of Texas Instruments.

Bosch is a registered trademark of Robert Bosch GmbH Corporation.

All other trademarks are the property of their respective owners.

8.7 Electrostatic Discharge Caution



This integrated circuit can be damaged by ESD. Texas Instruments recommends that all integrated circuits be handled with appropriate precautions. Failure to observe proper handling and installation procedures can cause damage.

ESD damage can range from subtle performance degradation to complete device failure. Precision integrated circuits may be more susceptible to damage because very small parametric changes could cause the device not to meet its published specifications.

8.8 Glossary

TI Glossary This glossary lists and explains terms, acronyms, and definitions.

9 Mechanical Packaging and Orderable Information

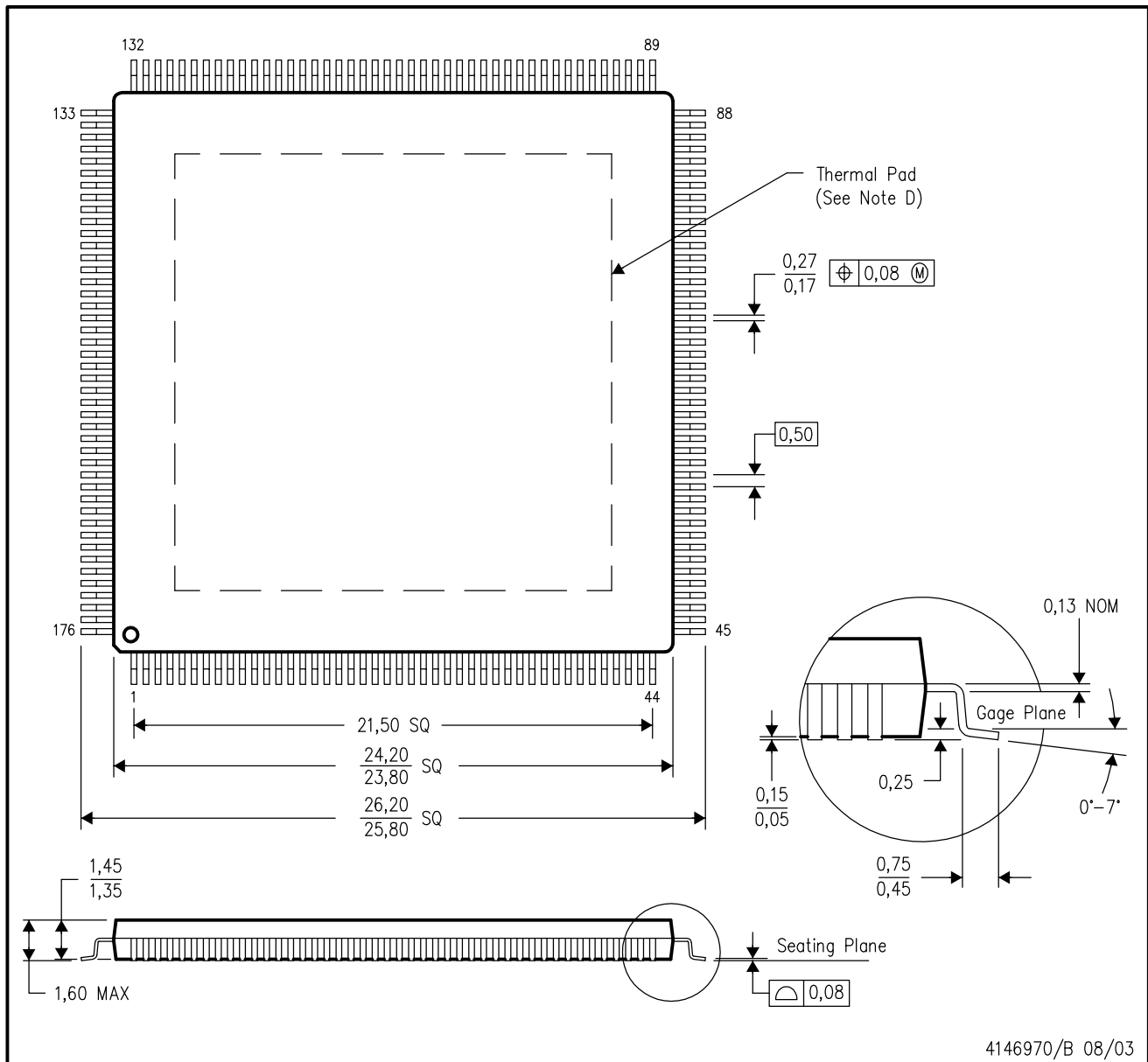
9.1 Packaging Information

The following pages include mechanical packaging and orderable information. This information is the most current data available for the designated devices. This data is subject to change without notice and revision of this document. For browser-based versions of this data sheet, refer to the left-hand navigation.

For packages with a thermal pad, the MECHANICAL DATA figure shows a generic thermal pad without dimensions. For the actual thermal pad dimensions that are applicable to this device, see the THERMAL PAD MECHANICAL DATA figure.

PTP (S-PQFP-G176)

PowerPAD™ PLASTIC QUAD FLATPACK



- NOTES:
- A. All linear dimensions are in millimeters.
 - B. This drawing is subject to change without notice.
 - C. Body dimensions do not include mold flash or protrusion.
 - D. This package is designed to be soldered to a thermal pad on the board. Refer to Technical Brief, PowerPad Thermally Enhanced Package, Texas Instruments Literature No. SLMA002 for information regarding recommended board layout. This document is available at www.ti.com <<http://www.ti.com>>.
 - E. Falls within JEDEC MO-026

PowerPAD is a trademark of Texas Instruments.

PTP (S-PQFP-G176)

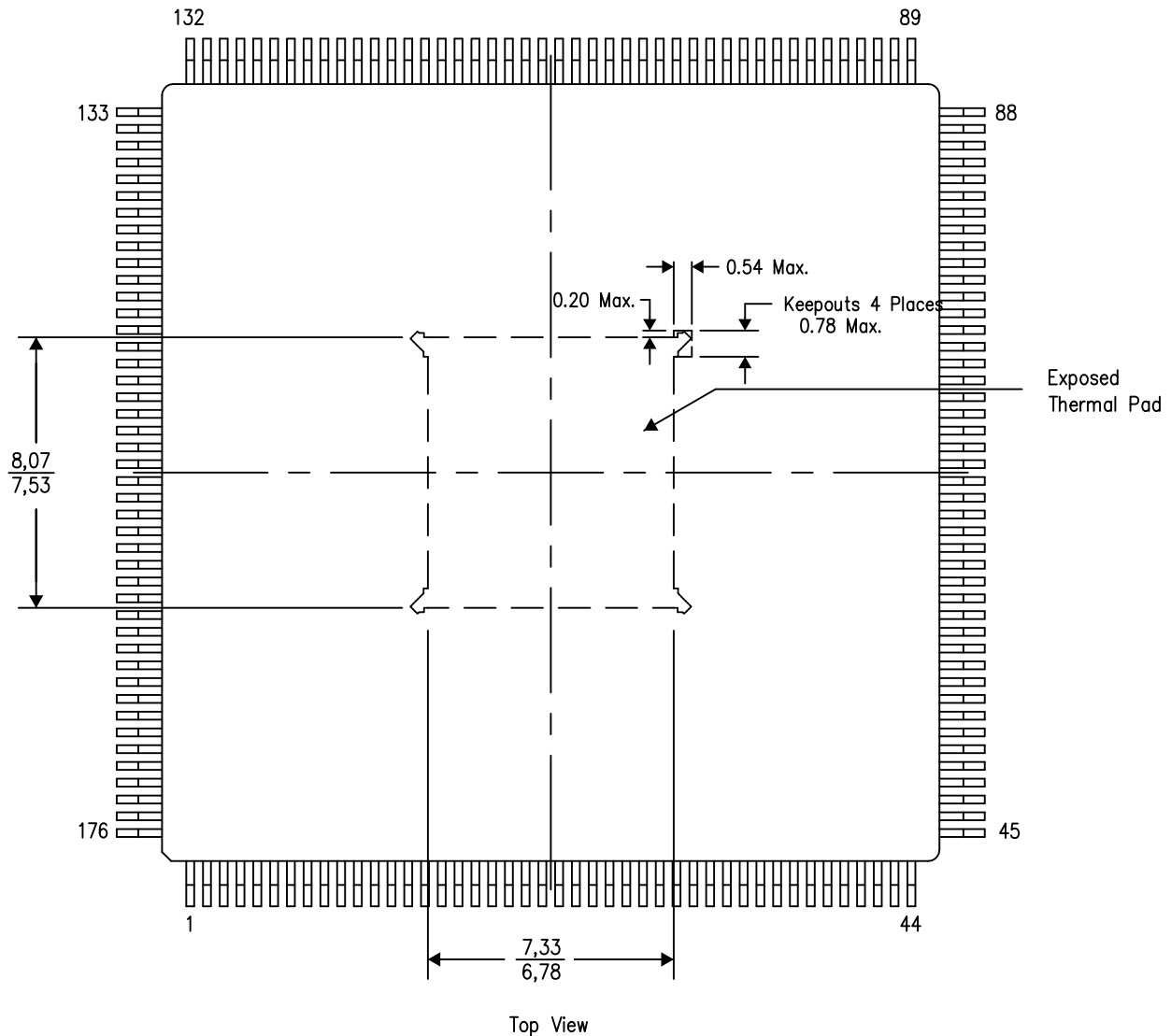
PowerPAD™ PLASTIC QUAD FLATPACK

THERMAL INFORMATION

This PowerPAD™ package incorporates an exposed thermal pad that is designed to be attached to a printed circuit board (PCB). The thermal pad must be soldered directly to the PCB. After soldering, the PCB can be used as a heatsink. In addition, through the use of thermal vias, the thermal pad can be attached directly to the appropriate copper plane shown in the electrical schematic for the device, or alternatively, can be attached to a special heatsink structure designed into the PCB. This design optimizes the heat transfer from the integrated circuit (IC).

For additional information on the PowerPAD package and how to take advantage of its heat dissipating abilities, refer to Technical Brief, PowerPAD Thermally Enhanced Package, Texas Instruments Literature No. SLMA002 and Application Brief, PowerPAD Made Easy, Texas Instruments Literature No. SLMA004. Both documents are available at www.ti.com.

The exposed thermal pad dimensions for this package are shown in the following illustration.



Exposed Thermal Pad Dimensions

4209350-8/F 04/13

NOTE: All linear dimensions are in millimeters

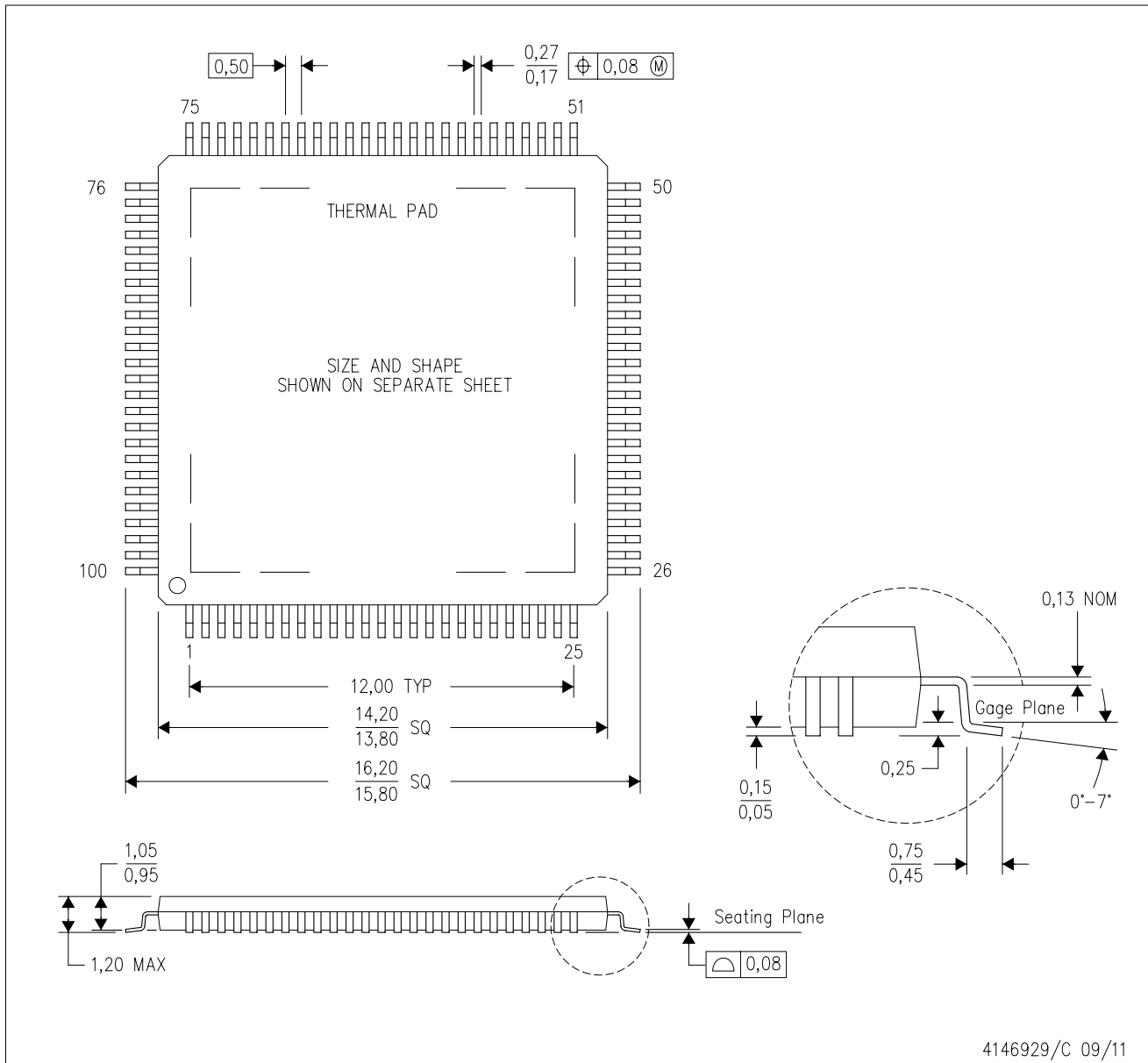
NOTE: Keep-out features are identified to prevent board routing interference. These exposed metal features may vary within the identified area or be completely absent on some devices.

PowerPAD is a trademark of Texas Instruments

MECHANICAL DATA

PZP (S-PQFP-G100)

PowerPAD™ PLASTIC QUAD FLATPACK



- NOTES:
- All linear dimensions are in millimeters.
 - This drawing is subject to change without notice.
 - Body dimensions do not include mold flash or protrusion
 - This package is designed to be soldered to a thermal pad on the board. Refer to Technical Brief, PowerPad Thermally Enhanced Package, Texas Instruments Literature No. SLMA002 for information regarding recommended board layout. This document is available at www.ti.com <<http://www.ti.com>>.
 - See the additional figure in the Product Data Sheet for details regarding the exposed thermal pad features and dimensions.
 - Falls within JEDEC MS-026

PowerPAD is a trademark of Texas Instruments.

THERMAL PAD MECHANICAL DATA

PZP (S-PQFP-G100)

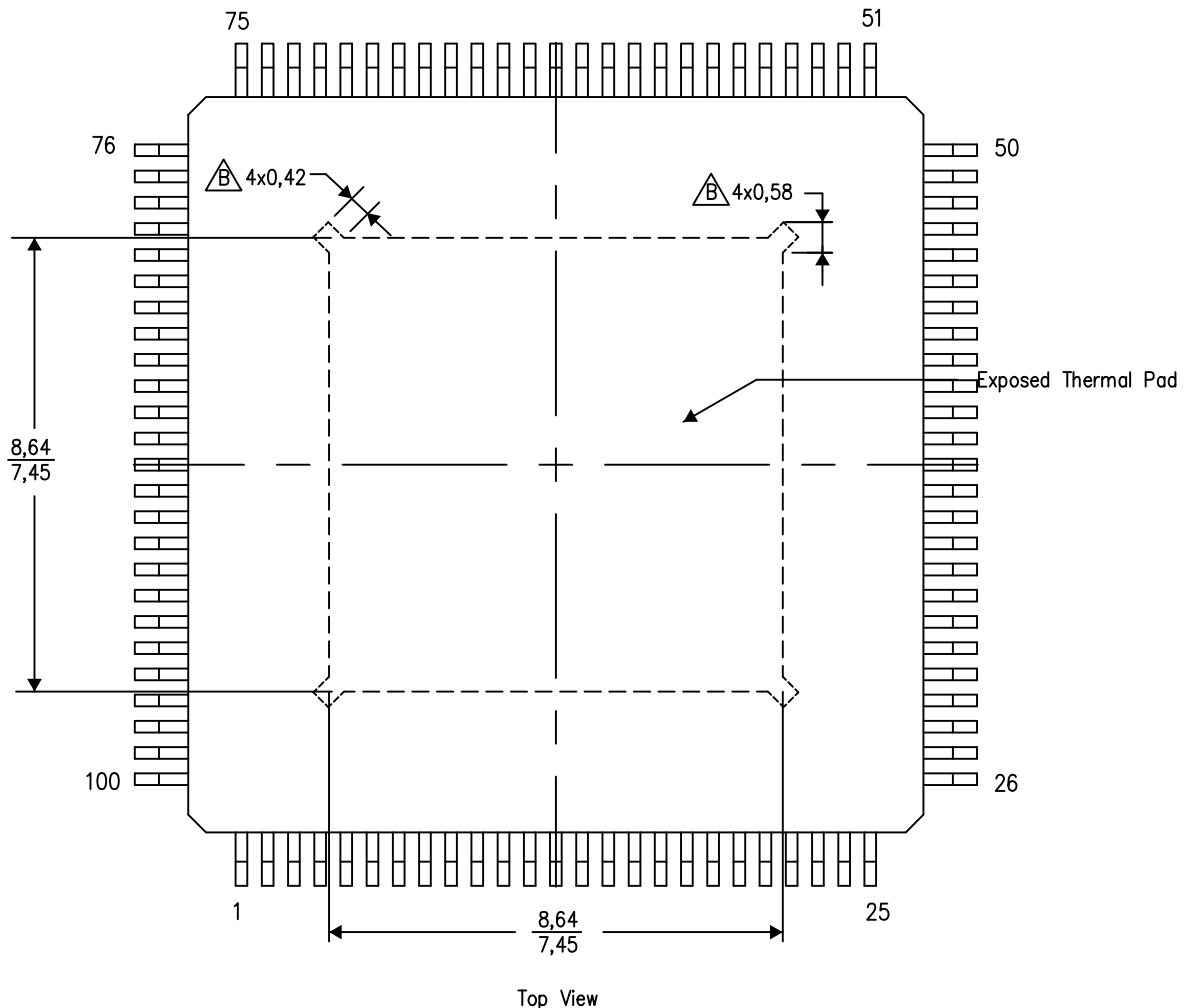
PowerPAD™ PLASTIC QUAD FLATPACK

THERMAL INFORMATION

This PowerPAD™ package incorporates an exposed thermal pad that is designed to be attached to a printed circuit board (PCB). The thermal pad must be soldered directly to the PCB. After soldering, the PCB can be used as a heatsink. In addition, through the use of thermal vias, the thermal pad can be attached directly to the appropriate copper plane shown in the electrical schematic for the device, or alternatively, can be attached to a special heatsink structure designed into the PCB. This design optimizes the heat transfer from the integrated circuit (IC).

For additional information on the PowerPAD package and how to take advantage of its heat dissipating abilities, refer to Technical Brief, PowerPAD Thermally Enhanced Package, Texas Instruments Literature No. SLMA002 and Application Brief, PowerPAD Made Easy, Texas Instruments Literature No. SLMA004. Both documents are available at www.ti.com.


The exposed thermal pad dimensions for this package are shown in the following illustration.



Exposed Thermal Pad Dimensions

4206333-14/L 05/14

NOTE: A. All linear dimensions are in millimeters

 Tie strap features may not be present.

PowerPAD is a trademark of Texas Instruments

PACKAGING INFORMATION

Orderable Device	Status (1)	Package Type	Package Drawing	Pins	Package Qty	Eco Plan (2)	Lead/Ball Finish (6)	MSL Peak Temp (3)	Op Temp (°C)	Device Marking (4/5)	Samples
TMS320F28075PTPQ	ACTIVE	HLQFP	PTP	176	40	Green (RoHS & no Sb/Br)	CU NIPDAU	Level-3-260C-168 HR	-40 to 125	TMS320 F28075PTPQ	Samples
TMS320F28075PTPS	ACTIVE	HLQFP	PTP	176	40	Green (RoHS & no Sb/Br)	CU NIPDAU	Level-3-260C-168 HR	-40 to 125	TMS320 F28075PTPS	Samples
TMS320F28075PTPT	ACTIVE	HLQFP	PTP	176	40	Green (RoHS & no Sb/Br)	CU NIPDAU	Level-3-260C-168 HR	-40 to 105	TMS320 F28075PTPT	Samples
TMS320F28075PZPQ	ACTIVE	HTQFP	PZP	100	90	Green (RoHS & no Sb/Br)	CU NIPDAU	Level-3-260C-168 HR	-40 to 125	TMS320 F28075PZPQ	Samples
TMS320F28075PZPS	ACTIVE	HTQFP	PZP	100	90	Green (RoHS & no Sb/Br)	CU NIPDAU	Level-3-260C-168 HR	-40 to 125	TMS320 F28075PZPS	Samples
TMS320F28075PZPT	ACTIVE	HTQFP	PZP	100	90	Green (RoHS & no Sb/Br)	CU NIPDAU	Level-3-260C-168 HR	-40 to 105	TMS320 F28075PZPT	Samples

(1) The marketing status values are defined as follows:

ACTIVE: Product device recommended for new designs.

LIFEBUY: TI has announced that the device will be discontinued, and a lifetime-buy period is in effect.

NRND: Not recommended for new designs. Device is in production to support existing customers, but TI does not recommend using this part in a new design.

PREVIEW: Device has been announced but is not in production. Samples may or may not be available.

OBSELETE: TI has discontinued the production of the device.

(2) Eco Plan - The planned eco-friendly classification: Pb-Free (RoHS), Pb-Free (RoHS Exempt), or Green (RoHS & no Sb/Br) - please check <http://www.ti.com/productcontent> for the latest availability information and additional product content details.

TBD: The Pb-Free/Green conversion plan has not been defined.

Pb-Free (RoHS): TI's terms "Lead-Free" or "Pb-Free" mean semiconductor products that are compatible with the current RoHS requirements for all 6 substances, including the requirement that lead not exceed 0.1% by weight in homogeneous materials. Where designed to be soldered at high temperatures, TI Pb-Free products are suitable for use in specified lead-free processes.

Pb-Free (RoHS Exempt): This component has a RoHS exemption for either 1) lead-based flip-chip solder bumps used between the die and package, or 2) lead-based die adhesive used between the die and leadframe. The component is otherwise considered Pb-Free (RoHS compatible) as defined above.

Green (RoHS & no Sb/Br): TI defines "Green" to mean Pb-Free (RoHS compatible), and free of Bromine (Br) and Antimony (Sb) based flame retardants (Br or Sb do not exceed 0.1% by weight in homogeneous material)

(3) MSL, Peak Temp. - The Moisture Sensitivity Level rating according to the JEDEC industry standard classifications, and peak solder temperature.

(4) There may be additional marking, which relates to the logo, the lot trace code information, or the environmental category on the device.

(5) Multiple Device Markings will be inside parentheses. Only one Device Marking contained in parentheses and separated by a "~" will appear on a device. If a line is indented then it is a continuation of the previous line and the two combined represent the entire Device Marking for that device.

⁽⁶⁾ Lead/Ball Finish - Orderable Devices may have multiple material finish options. Finish options are separated by a vertical ruled line. Lead/Ball Finish values may wrap to two lines if the finish value exceeds the maximum column width.

Important Information and Disclaimer: The information provided on this page represents TI's knowledge and belief as of the date that it is provided. TI bases its knowledge and belief on information provided by third parties, and makes no representation or warranty as to the accuracy of such information. Efforts are underway to better integrate information from third parties. TI has taken and continues to take reasonable steps to provide representative and accurate information but may not have conducted destructive testing or chemical analysis on incoming materials and chemicals. TI and TI suppliers consider certain information to be proprietary, and thus CAS numbers and other limited information may not be available for release.

In no event shall TI's liability arising out of such information exceed the total purchase price of the TI part(s) at issue in this document sold by TI to Customer on an annual basis.

IMPORTANT NOTICE

Texas Instruments Incorporated and its subsidiaries (TI) reserve the right to make corrections, enhancements, improvements and other changes to its semiconductor products and services per JESD46, latest issue, and to discontinue any product or service per JESD48, latest issue. Buyers should obtain the latest relevant information before placing orders and should verify that such information is current and complete. All semiconductor products (also referred to herein as "components") are sold subject to TI's terms and conditions of sale supplied at the time of order acknowledgment.

TI warrants performance of its components to the specifications applicable at the time of sale, in accordance with the warranty in TI's terms and conditions of sale of semiconductor products. Testing and other quality control techniques are used to the extent TI deems necessary to support this warranty. Except where mandated by applicable law, testing of all parameters of each component is not necessarily performed.

TI assumes no liability for applications assistance or the design of Buyers' products. Buyers are responsible for their products and applications using TI components. To minimize the risks associated with Buyers' products and applications, Buyers should provide adequate design and operating safeguards.

TI does not warrant or represent that any license, either express or implied, is granted under any patent right, copyright, mask work right, or other intellectual property right relating to any combination, machine, or process in which TI components or services are used. Information published by TI regarding third-party products or services does not constitute a license to use such products or services or a warranty or endorsement thereof. Use of such information may require a license from a third party under the patents or other intellectual property of the third party, or a license from TI under the patents or other intellectual property of TI.

Reproduction of significant portions of TI information in TI data books or data sheets is permissible only if reproduction is without alteration and is accompanied by all associated warranties, conditions, limitations, and notices. TI is not responsible or liable for such altered documentation. Information of third parties may be subject to additional restrictions.

Resale of TI components or services with statements different from or beyond the parameters stated by TI for that component or service voids all express and any implied warranties for the associated TI component or service and is an unfair and deceptive business practice. TI is not responsible or liable for any such statements.

Buyer acknowledges and agrees that it is solely responsible for compliance with all legal, regulatory and safety-related requirements concerning its products, and any use of TI components in its applications, notwithstanding any applications-related information or support that may be provided by TI. Buyer represents and agrees that it has all the necessary expertise to create and implement safeguards which anticipate dangerous consequences of failures, monitor failures and their consequences, lessen the likelihood of failures that might cause harm and take appropriate remedial actions. Buyer will fully indemnify TI and its representatives against any damages arising out of the use of any TI components in safety-critical applications.

In some cases, TI components may be promoted specifically to facilitate safety-related applications. With such components, TI's goal is to help enable customers to design and create their own end-product solutions that meet applicable functional safety standards and requirements. Nonetheless, such components are subject to these terms.

No TI components are authorized for use in FDA Class III (or similar life-critical medical equipment) unless authorized officers of the parties have executed a special agreement specifically governing such use.

Only those TI components which TI has specifically designated as military grade or "enhanced plastic" are designed and intended for use in military/aerospace applications or environments. Buyer acknowledges and agrees that any military or aerospace use of TI components which have **not** been so designated is solely at the Buyer's risk, and that Buyer is solely responsible for compliance with all legal and regulatory requirements in connection with such use.

TI has specifically designated certain components as meeting ISO/TS16949 requirements, mainly for automotive use. In any case of use of non-designated products, TI will not be responsible for any failure to meet ISO/TS16949.

Products

Audio	www.ti.com/audio
Amplifiers	amplifier.ti.com
Data Converters	dataconverter.ti.com
DLP® Products	www.dlp.com
DSP	dsp.ti.com
Clocks and Timers	www.ti.com/clocks
Interface	interface.ti.com
Logic	logic.ti.com
Power Mgmt	power.ti.com
Microcontrollers	microcontroller.ti.com
RFID	www.ti-rfid.com
OMAP Applications Processors	www.ti.com/omap
Wireless Connectivity	www.ti.com/wirelessconnectivity

Applications

Automotive and Transportation	www.ti.com/automotive
Communications and Telecom	www.ti.com/communications
Computers and Peripherals	www.ti.com/computers
Consumer Electronics	www.ti.com/consumer-apps
Energy and Lighting	www.ti.com/energy
Industrial	www.ti.com/industrial
Medical	www.ti.com/medical
Security	www.ti.com/security
Space, Avionics and Defense	www.ti.com/space-avionics-defense
Video and Imaging	www.ti.com/video

TI E2E Community

e2e.ti.com